



US00D517045S

(12) **United States Design Patent**
Komiyama

(10) **Patent No.:** **US D517,045 S**
(45) **Date of Patent:** **** Mar. 14, 2006**

(54) **HEADPHONE**

D420,356 S * 2/2000 Suzuki D14/205
D457,512 S * 5/2002 Yoneda D14/205

(75) Inventor: **Jun Komiyama**, Tokyo (JP)

(73) Assignee: **Sony Corporation**, Tokyo (JP)

(**) Term: **14 Years**

(21) Appl. No.: **29/227,497**

(22) Filed: **Apr. 13, 2005**

(51) **LOC (8) Cl.** **14-01**

(52) **U.S. Cl.** **D14/205**

(58) **Field of Classification Search** D14/192,
D14/205, 206, 223; D2/883, 894; 2/171,
2/209, 410; D29/112; 181/129-130; 381/370,
381/371, 374, 376, 380, 381, 377, 378, 379,
381/74

See application file for complete search history.

(56) **References Cited**

U.S. PATENT DOCUMENTS

1,648,832 A * 11/1927 Urban 181/129
2,186,072 A * 1/1940 Huth 381/74
2,413,345 A * 12/1946 Gilman 381/379
2,486,267 A * 10/1949 Dulinsky 381/377
D353,818 S * 12/1994 Nakamura D14/205
5,406,037 A * 4/1995 Nageno et al. 181/129
D373,360 S * 9/1996 Kanno D14/205
D391,573 S 3/1998 Nakamura
D409,197 S * 5/1999 Nakamura D14/205
D410,466 S 6/1999 Mouri

OTHER PUBLICATIONS

Web page "Sony eCatalog, MDR-CD2000" <http://www.e-cat.sony.co.jp/avacc/headphone/acc/index.cfm?PD=817&KM=MDR-CD2000>, 2 sheets, Sony (Mar. 2005).

* cited by examiner

Primary Examiner—Paula A. Greene

(74) *Attorney, Agent, or Firm*—Rader, Fishman & Grauer PLLC

(57) **CLAIM**

The ornamental design for a headphone, as shown and described.

DESCRIPTION

FIG. 1 is a perspective view of a headphone showing my new design;

FIG. 2 is a front elevational view thereof;

FIG. 3 is a rear elevational view thereof;

FIG. 4 is a left side elevational view thereof;

FIG. 5 is a right side elevational view thereof;

FIG. 6 is a top plan view thereof; and,

FIG. 7 is a bottom plan view thereof.

Portions of FIGS. 1-7 that are shown as broken lines are for illustrative purpose only and form no part of the claimed design.

1 Claim, 5 Drawing Sheets

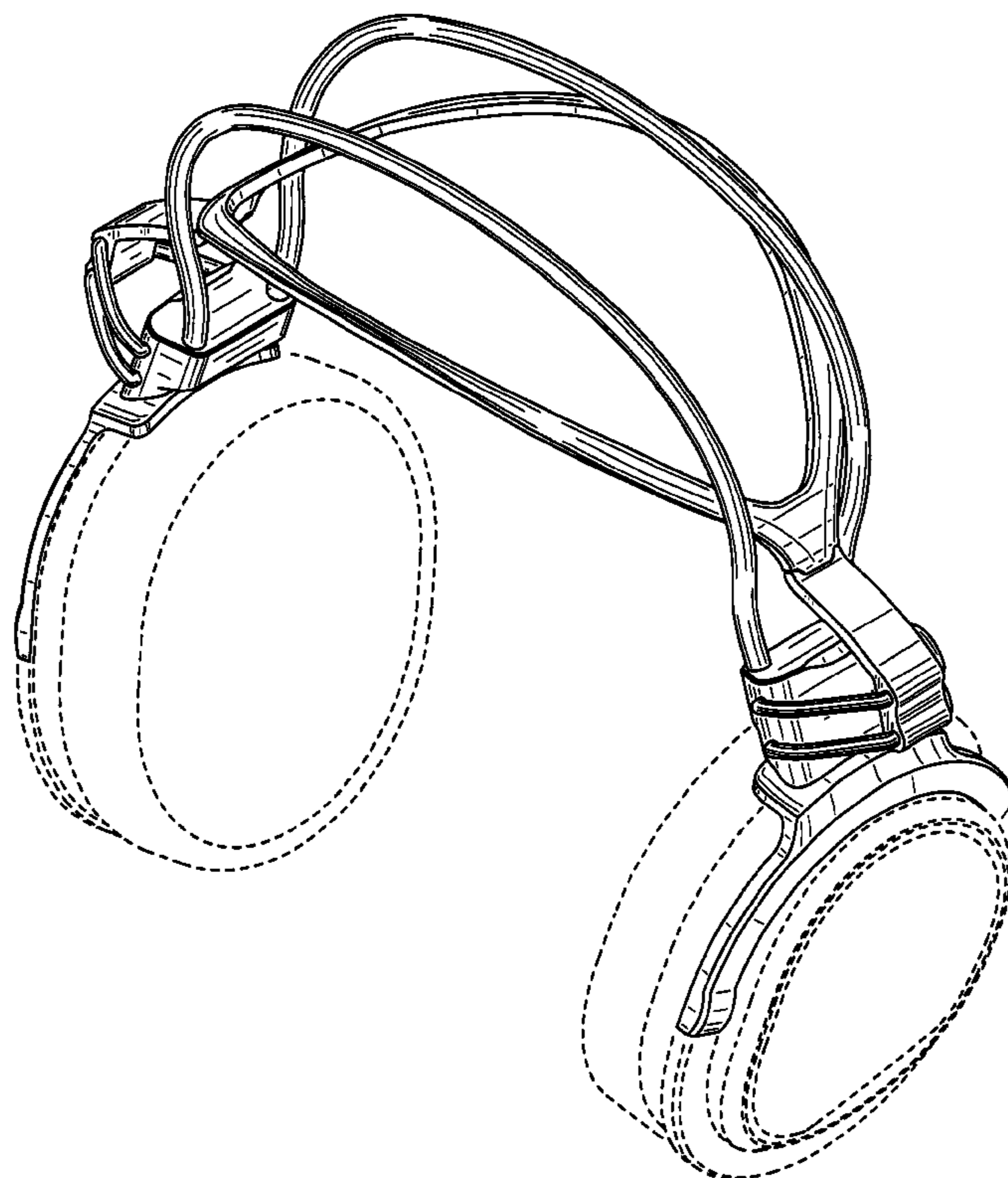


Fig.1

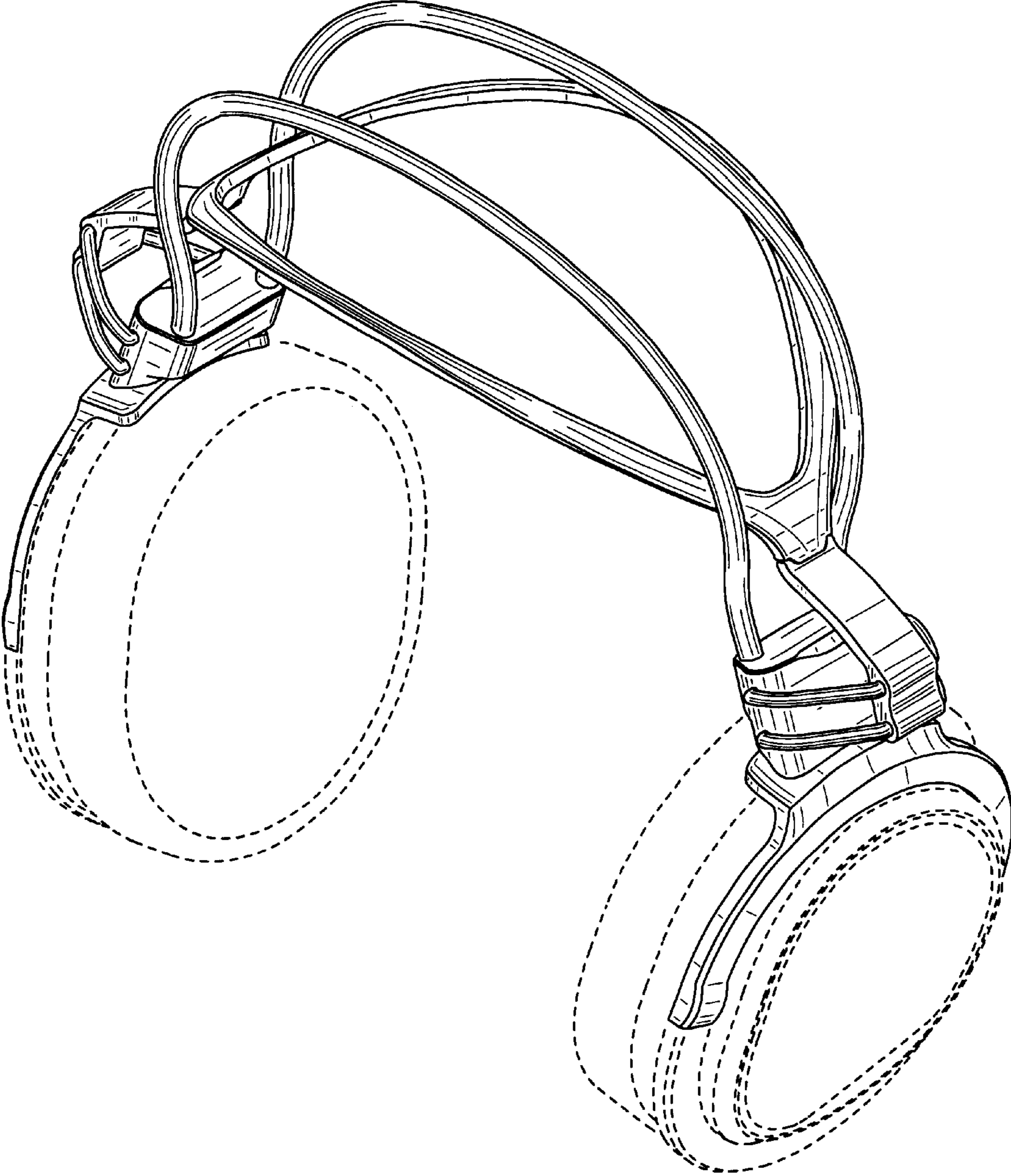


Fig.2



Fig.3

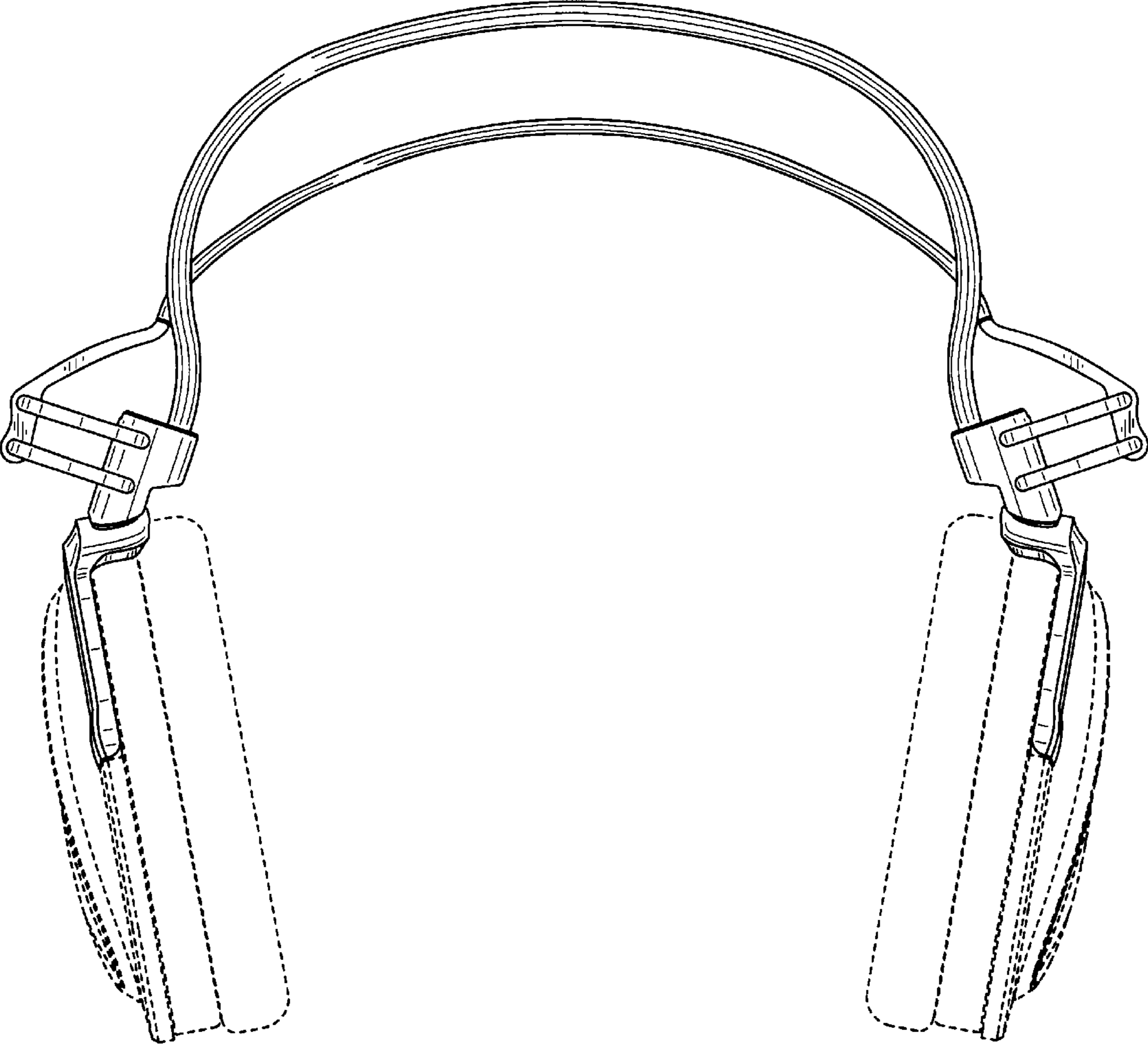


Fig.4

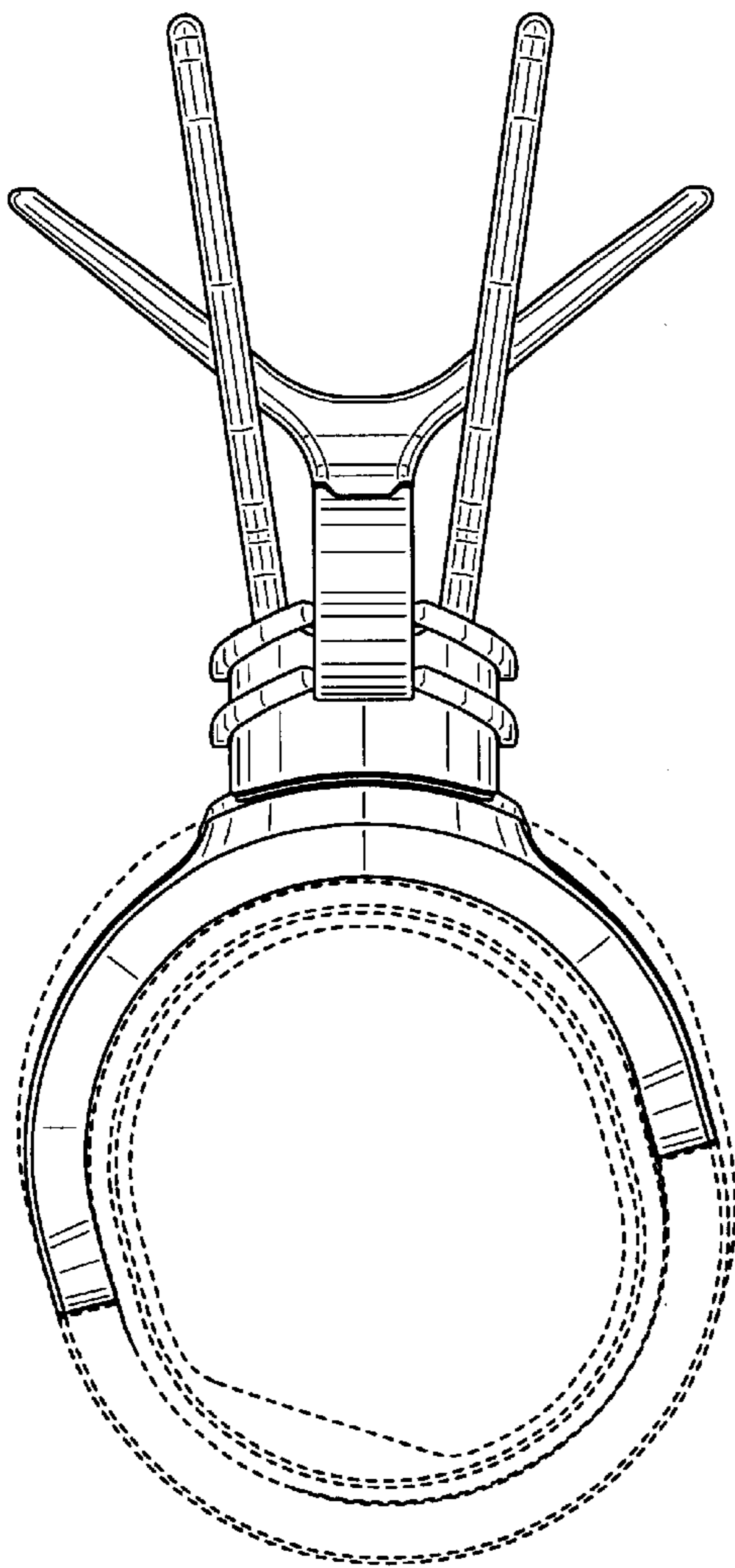


Fig.5

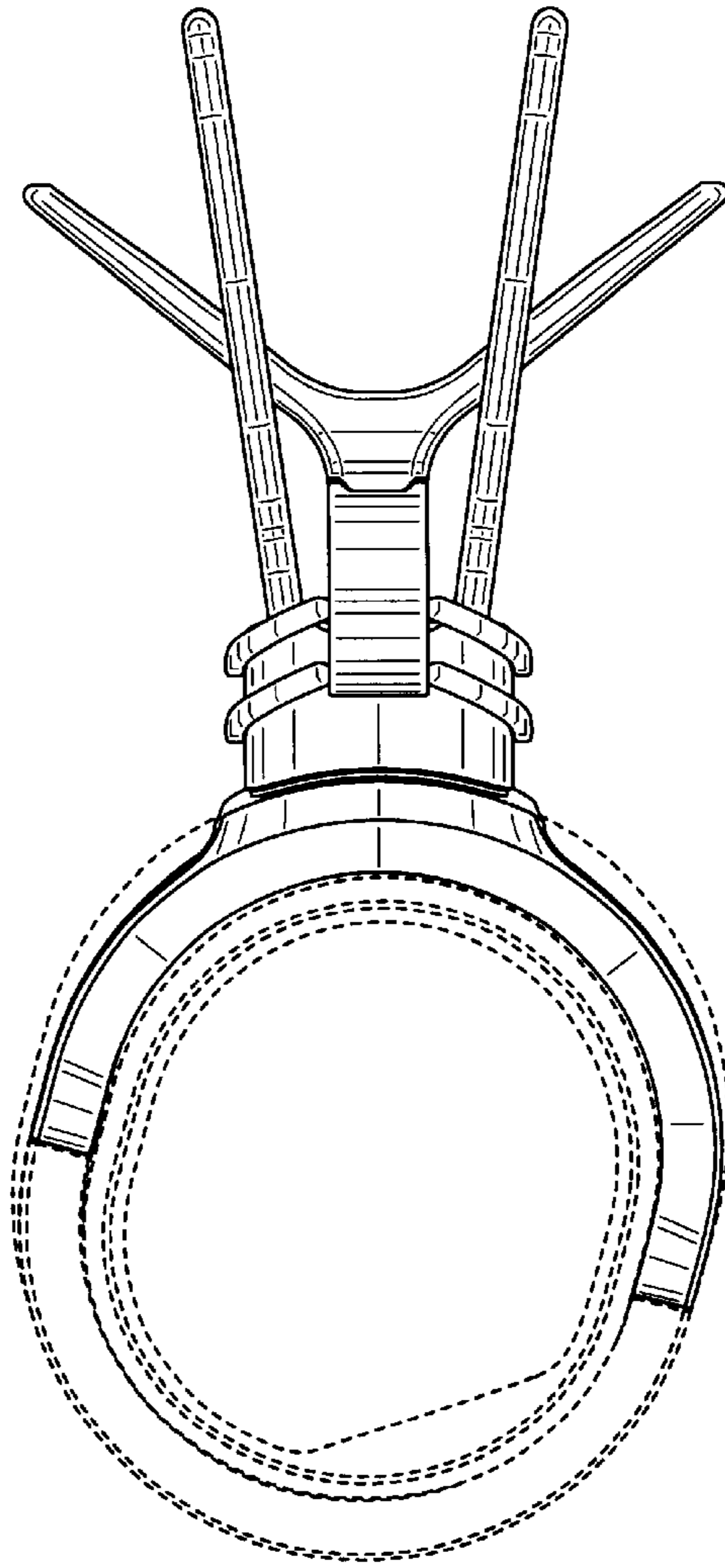


Fig.6

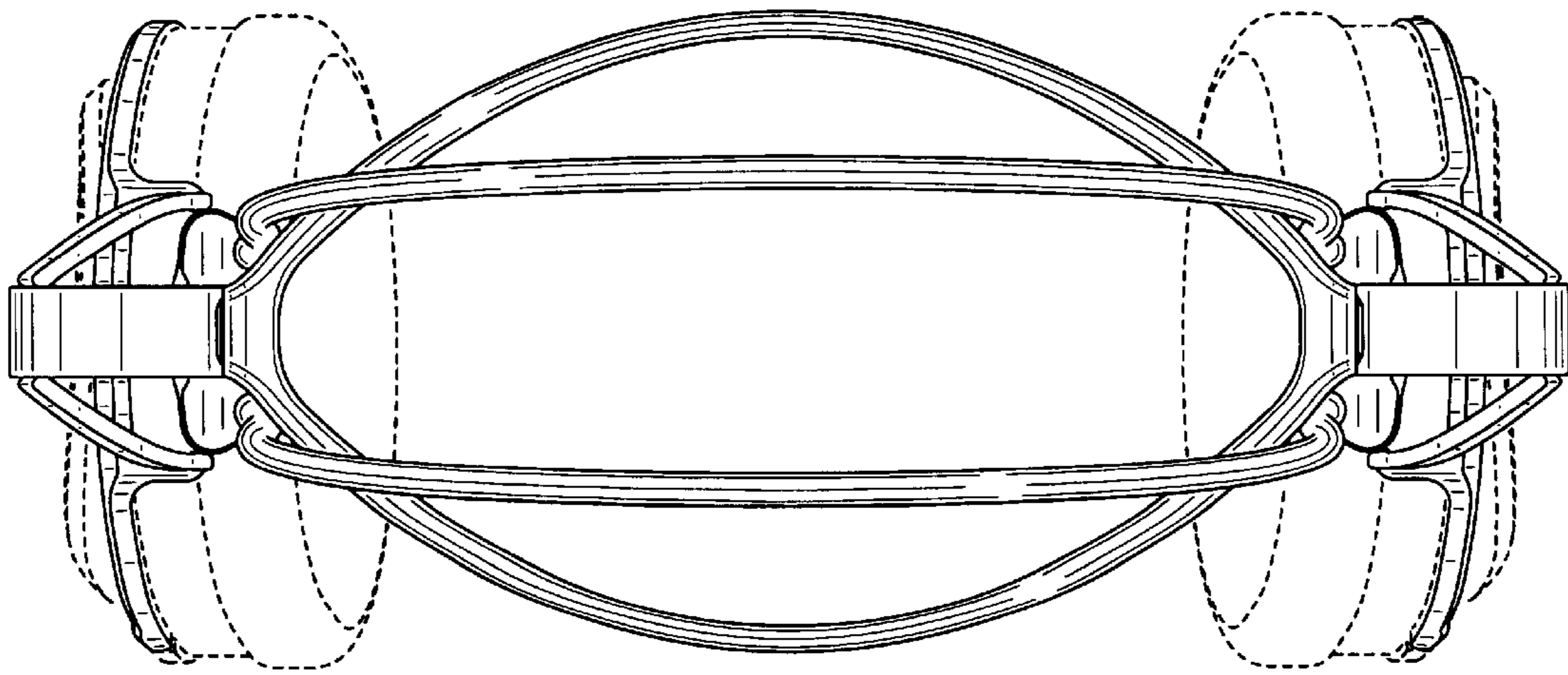


Fig.7

