

US00D517040S

(12) **United States Design Patent**
Hasegawa et al.

(10) **Patent No.:** **US D517,040 S**
(45) **Date of Patent:** **** Mar. 14, 2006**

(54) **DIGITAL AUDIO DISC PLAYER WITH RADIO**

(75) Inventors: **Shigeru Hasegawa, Tokyo (JP);**
Hiroyuki Watanabe, Tokyo (JP)

(73) Assignee: **Teac Corporation, Tokyo (JP)**

(**) Term: **14 Years**

(21) Appl. No.: **29/186,601**

(22) Filed: **Jul. 21, 2003**

(30) **Foreign Application Priority Data**

Mar. 5, 2003 (JP) 2003-005686

(51) **LOC (8) Cl.** **14-01**

(52) **U.S. Cl.** **D14/168; D14/194**

(58) **Field of Classification Search** D14/135-136,
D14/156-157, 160-165, 167-168, 192-198,
D14/188, 217, 257, 258, 445; 360/99.02,
360/99.07; 369/75.11, 75.21, 77.21, 77.11;
720/612, 619, 647, 655; 455/344, 347-351
See application file for complete search history.

(56) **References Cited**

U.S. PATENT DOCUMENTS

D379,007 S * 4/1997 Obata D14/168

D400,532 S * 11/1998 Hattori D14/168
D428,612 S * 7/2000 Scorrano D14/194
D443,602 S * 6/2001 Scorrano D14/194
D447,130 S * 8/2001 Scott et al. D14/194
D473,857 S * 4/2003 Bhavnani D14/197

* cited by examiner

Primary Examiner—Nanda Bondade
(74) *Attorney, Agent, or Firm*—Manabu Kanesaka

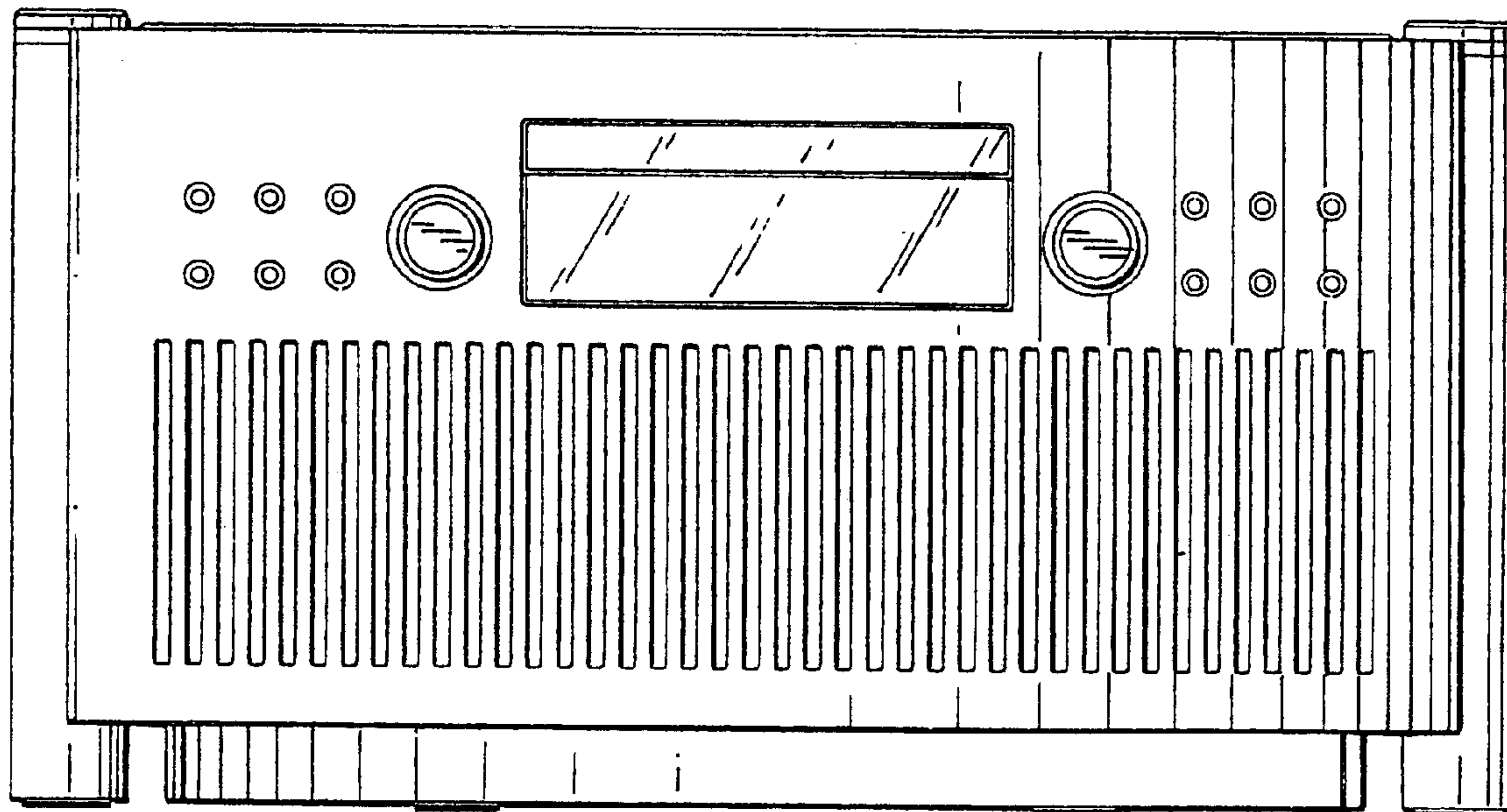
(57) **CLAIM**

The ornamental design for a digital audio disc player with radio, as shown and described.

DESCRIPTION

FIG. 1 is a front elevational view of a digital audio disc player with radio showing our new design;
FIG. 2 is rear elevational view thereof;
FIG. 3 is a top plan view thereof;
FIG. 4 is a bottom plan view thereof;
FIG. 5 is a left side elevational view thereof;
FIG. 6 is a right side elevational view thereof; and,
FIG. 7 is a perspective view thereof.

1 Claim, 4 Drawing Sheets



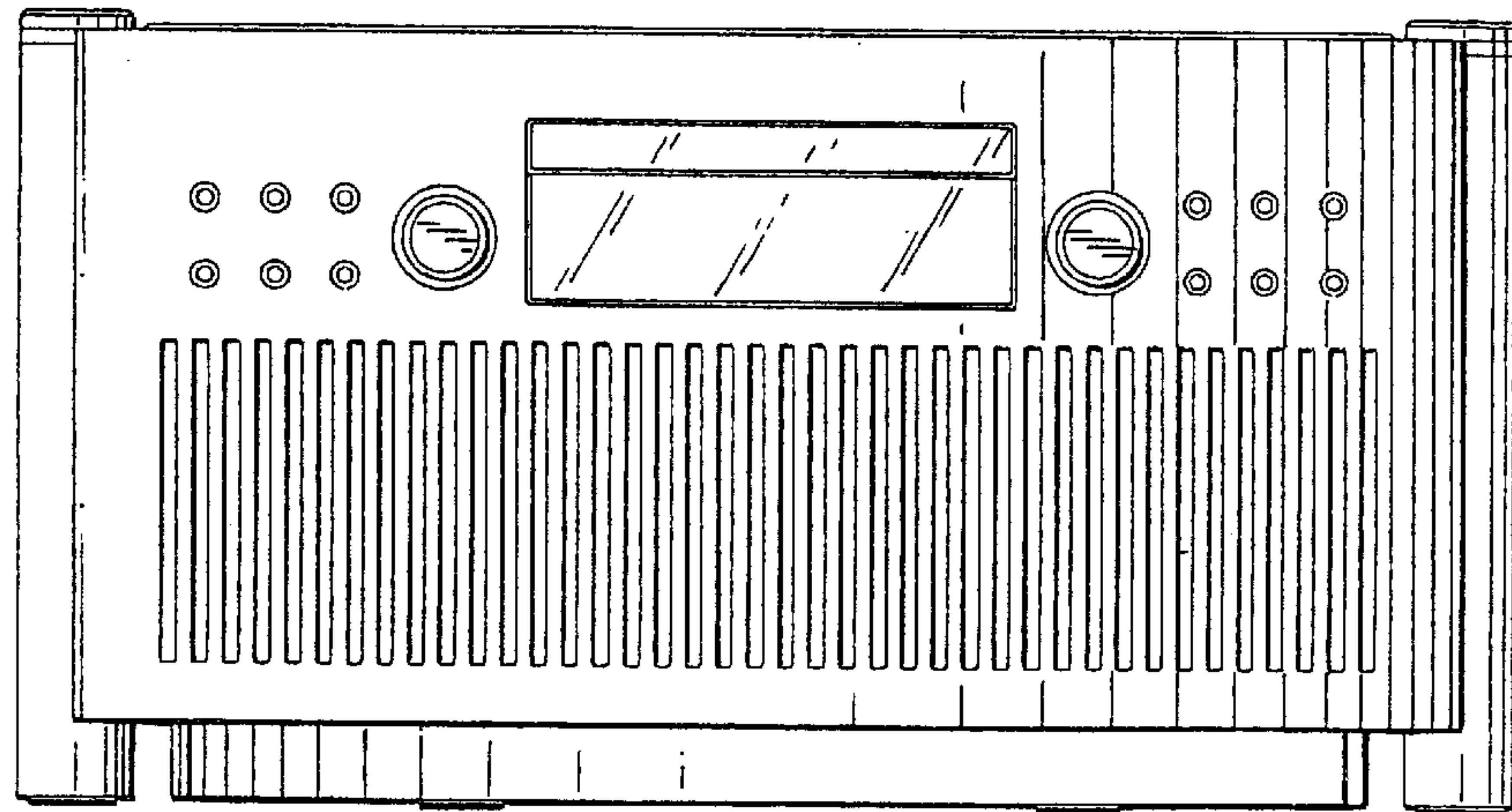


FIG. 1

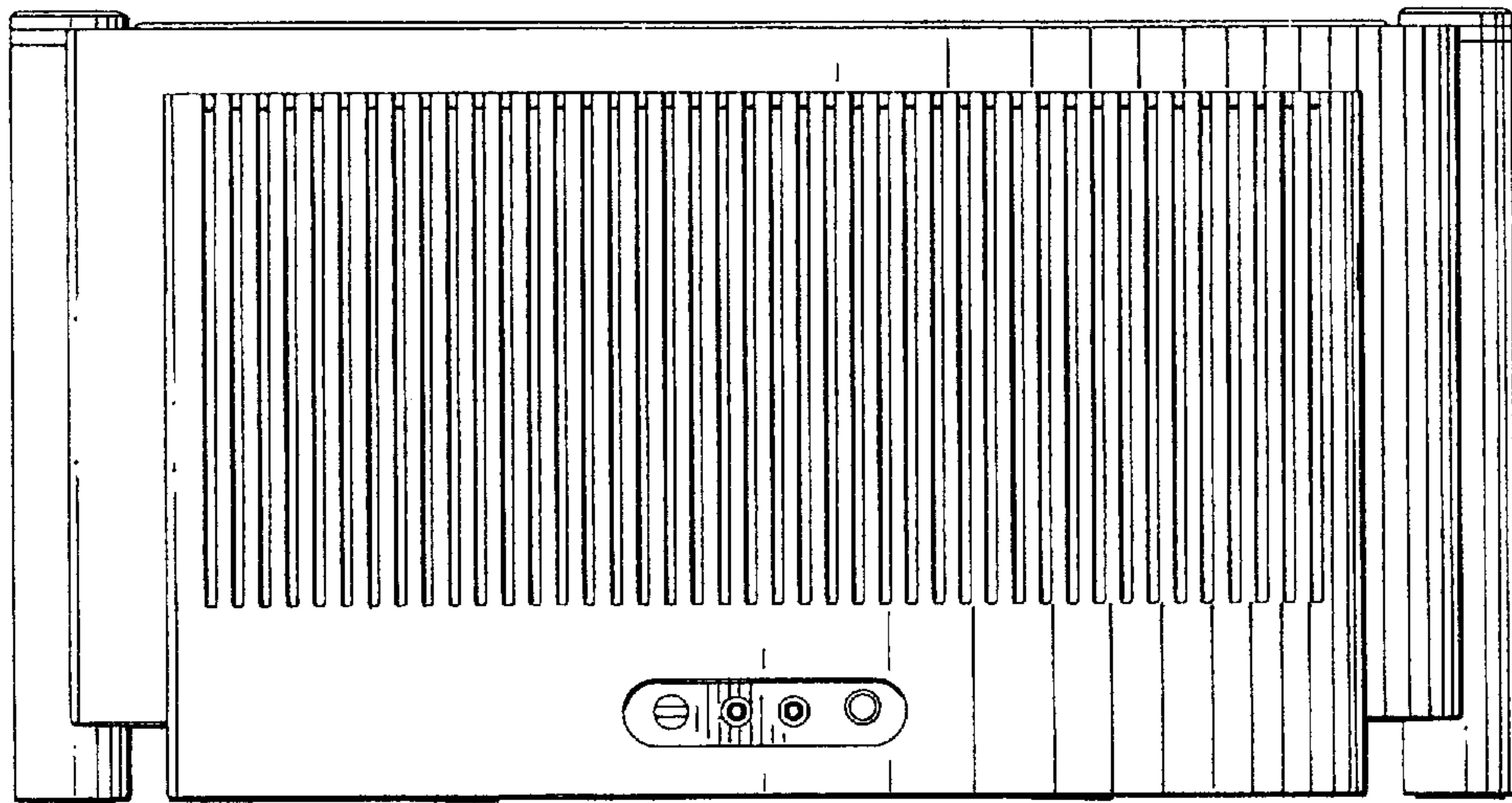


FIG. 2

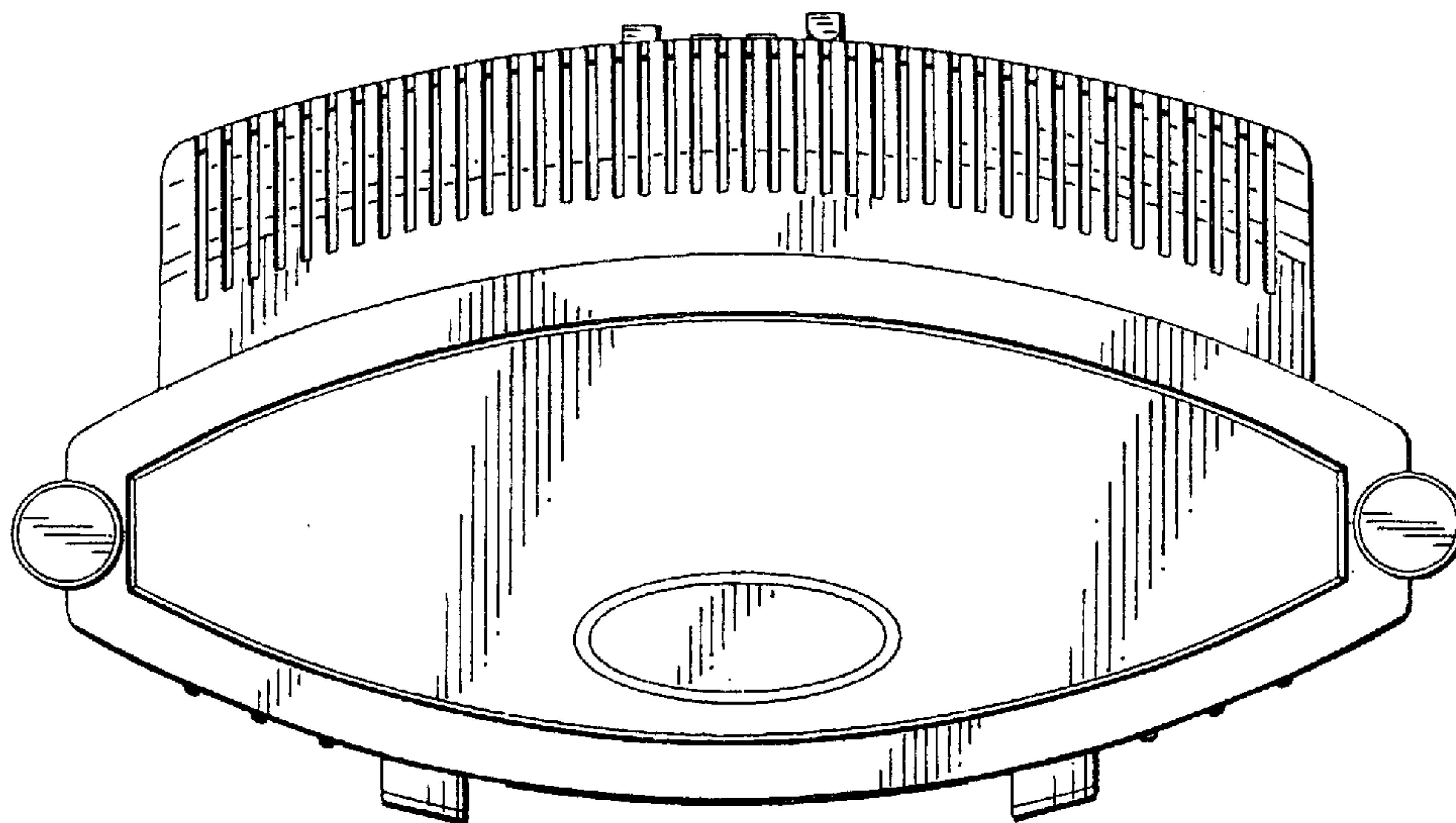


FIG. 3

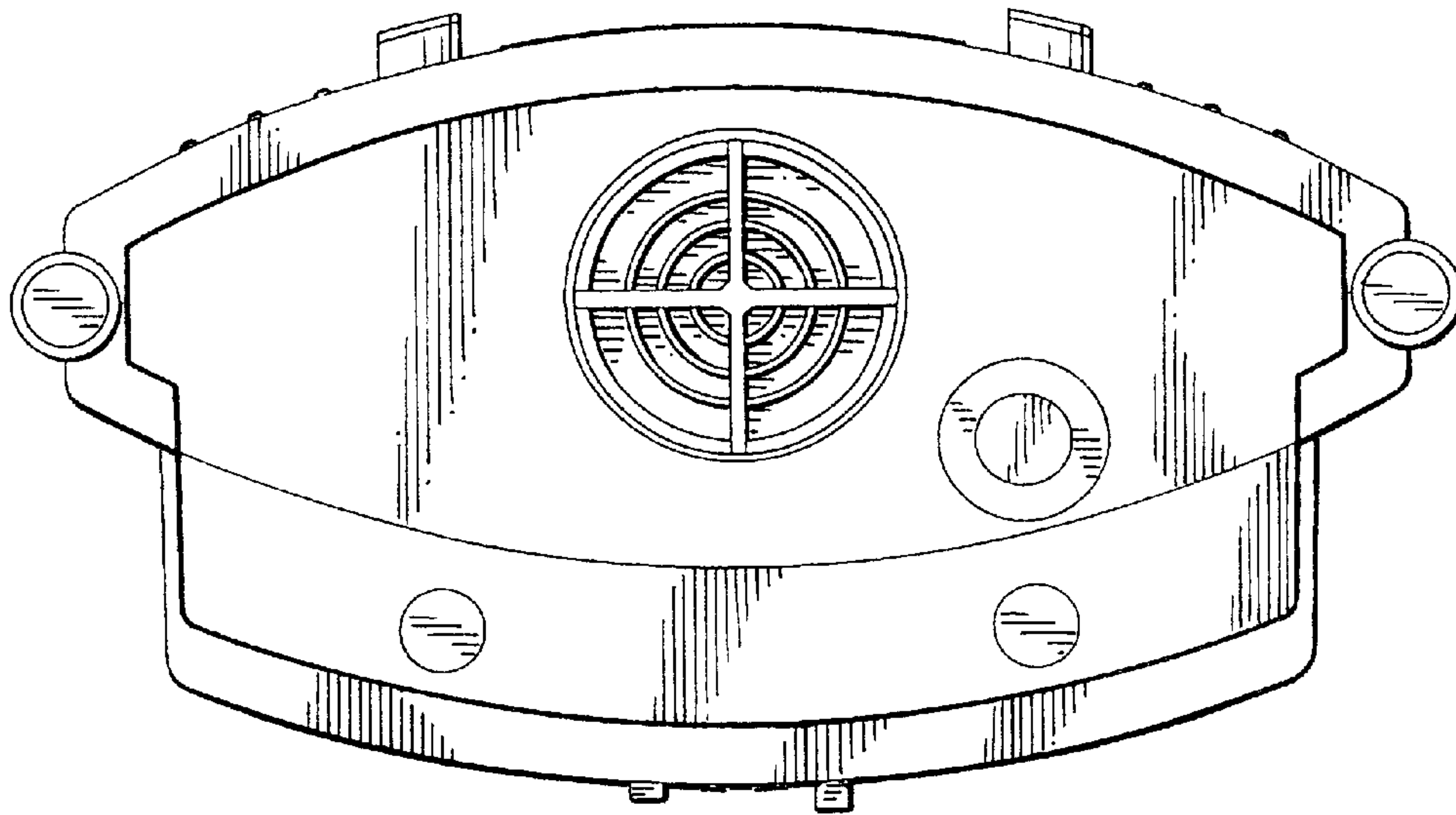


FIG. 4

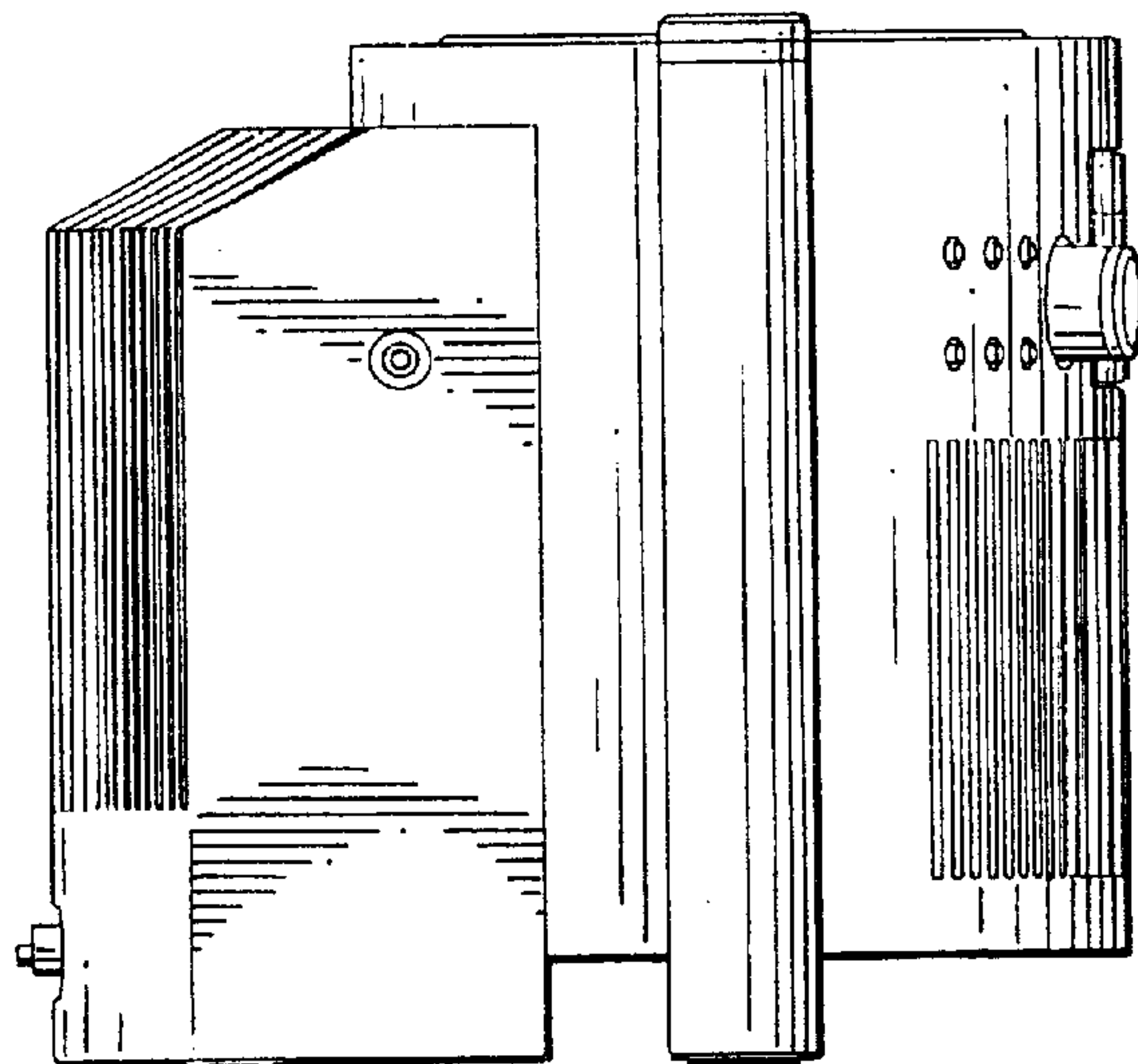


FIG. 5

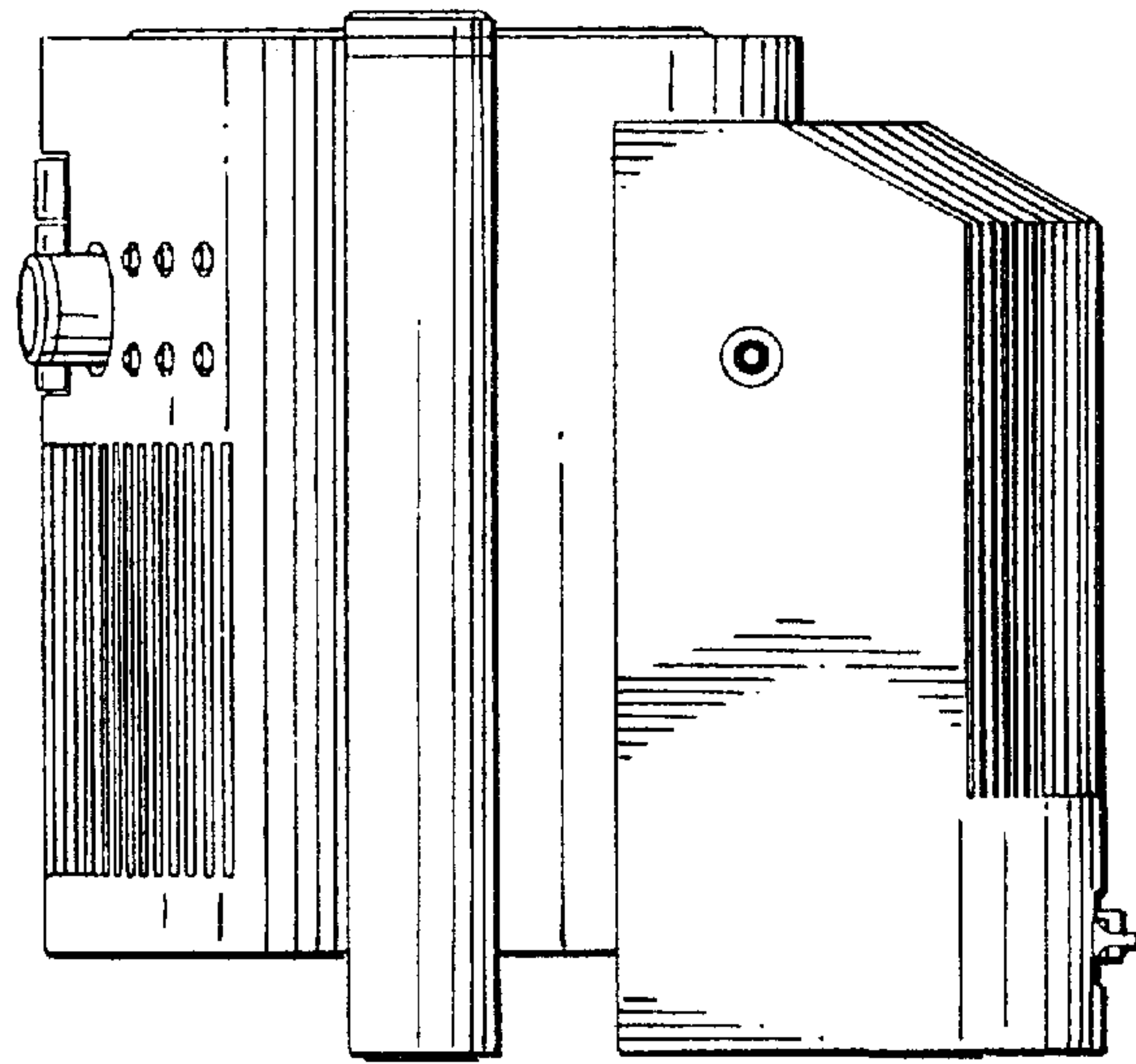


FIG. 6

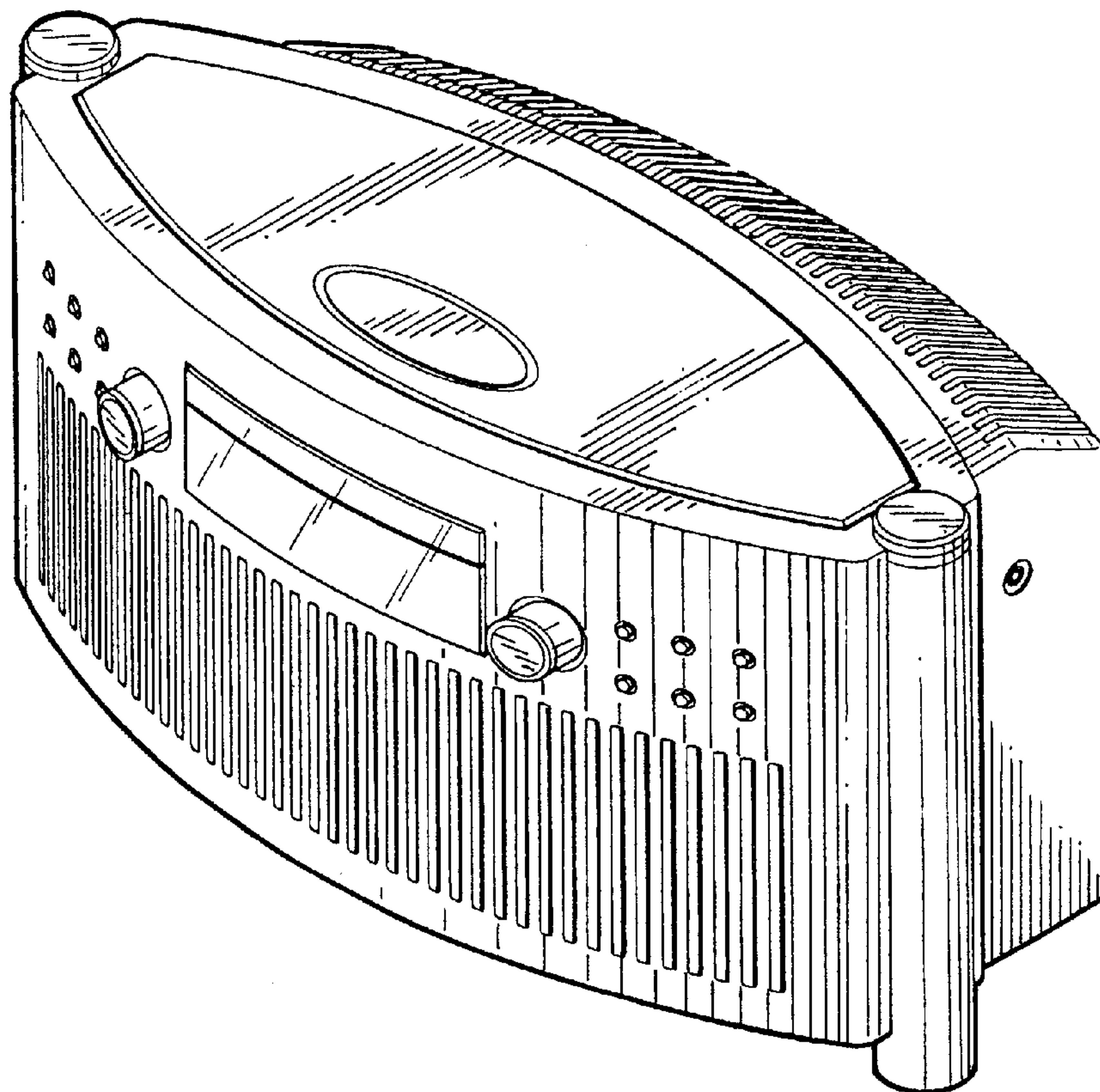


FIG. 7