



US00D517038S

(12) **United States Design Patent**
Lee et al.

(10) **Patent No.: US D517,038 S**
(45) **Date of Patent: ** Mar. 14, 2006**

(54) **PORTABLE TELEPHONE**
(75) Inventors: **Hye-Jeong Lee**, Seoul (KR);
Chang-Hwan Hwang, Seoul (KR);
Chi-Young Ahn, Seoul (KR)
(73) Assignee: **Samsung Electronics Co., Ltd.**,
Kyunggi-do (KR)
(**) Term: **14 Years**

D494,561 S * 8/2004 Kagami et al. D14/138
D494,949 S * 8/2004 Arnholt et al. D14/138
D495,310 S * 8/2004 Husgafvel D14/138
D495,695 S * 9/2004 Yugaya D14/346
D496,644 S * 9/2004 Yoo et al. D14/138
D496,645 S * 9/2004 Yoo et al. D14/138
D497,892 S * 11/2004 Peng D14/138

(Continued)

(21) Appl. No.: **29/214,253**
(22) Filed: **Sep. 27, 2004**

Related U.S. Application Data

(63) Continuation-in-part of application No. 29/205,548, filed on
May 17, 2004, now abandoned.

(30) Foreign Application Priority Data

Nov. 29, 2003 (KR) 30-2003-0034042

(51) **LOC (8) Cl.** **14-03**
(52) **U.S. Cl.** **D14/138**
(58) **Field of Classification Search** D14/137,
D14/138, 147-148, 247-248, 144, 341-347;
379/433.01-433.13, 434; 455/550.1-90.3,
455/575.4, 566, 575.1, 556.1, 556.2, 575.6;
D21/517; 345/169

See application file for complete search history.

(56) References Cited

U.S. PATENT DOCUMENTS

D326,452 S * 5/1992 Roegner D14/138
D336,472 S * 6/1993 Lin D14/138
D423,493 S * 4/2000 Hakoda D14/138
6,308,084 B1 * 10/2001 Lonka 455/556.1
6,397,084 B1 * 5/2002 Wicks et al. 455/566
D466,096 S * 11/2002 Takada D14/138
D479,215 S * 9/2003 Yokoyama D14/138
D481,692 S * 11/2003 Husgafvel D14/138
D488,471 S * 4/2004 Yagawa et al. D14/346
D493,156 S * 7/2004 Hamann et al. D14/138
D493,436 S * 7/2004 Okada et al. D14/138

FOREIGN PATENT DOCUMENTS

JP 1088577 * 10/2000
JP 1124434 * 10/2001
JP 1160810 * 12/2002
JP 2003298699 A * 10/2003

OTHER PUBLICATIONS

NTTDoCoMo SO505i, © 2003, showings from NTT
DoCoMo visited Apr. 10, 2003 and www.mobileburn.com
visited Sep. 28, 2004.*

U.S. Appl. No. 29/204,839, Applicant: Bum-Soo Park, et
al., filed May 5, 2004 including specification, claim and 8
sheets of drawings.

Primary Examiner—Jeffrey Asch

(74) *Attorney, Agent, or Firm*—Flynn, Thiel, Boutell &
Tanis, P.C.

(57) CLAIM

The ornamental design for a portable telephone, as shown
and described.

DESCRIPTION

FIG. 1. is a top front perspective view of a portable tele-
phone showing our new design.

FIG. 2. is a front elevational view thereof.

FIG. 3. is a rear elevational view thereof.

FIG. 4. is a left side elevational view thereof.

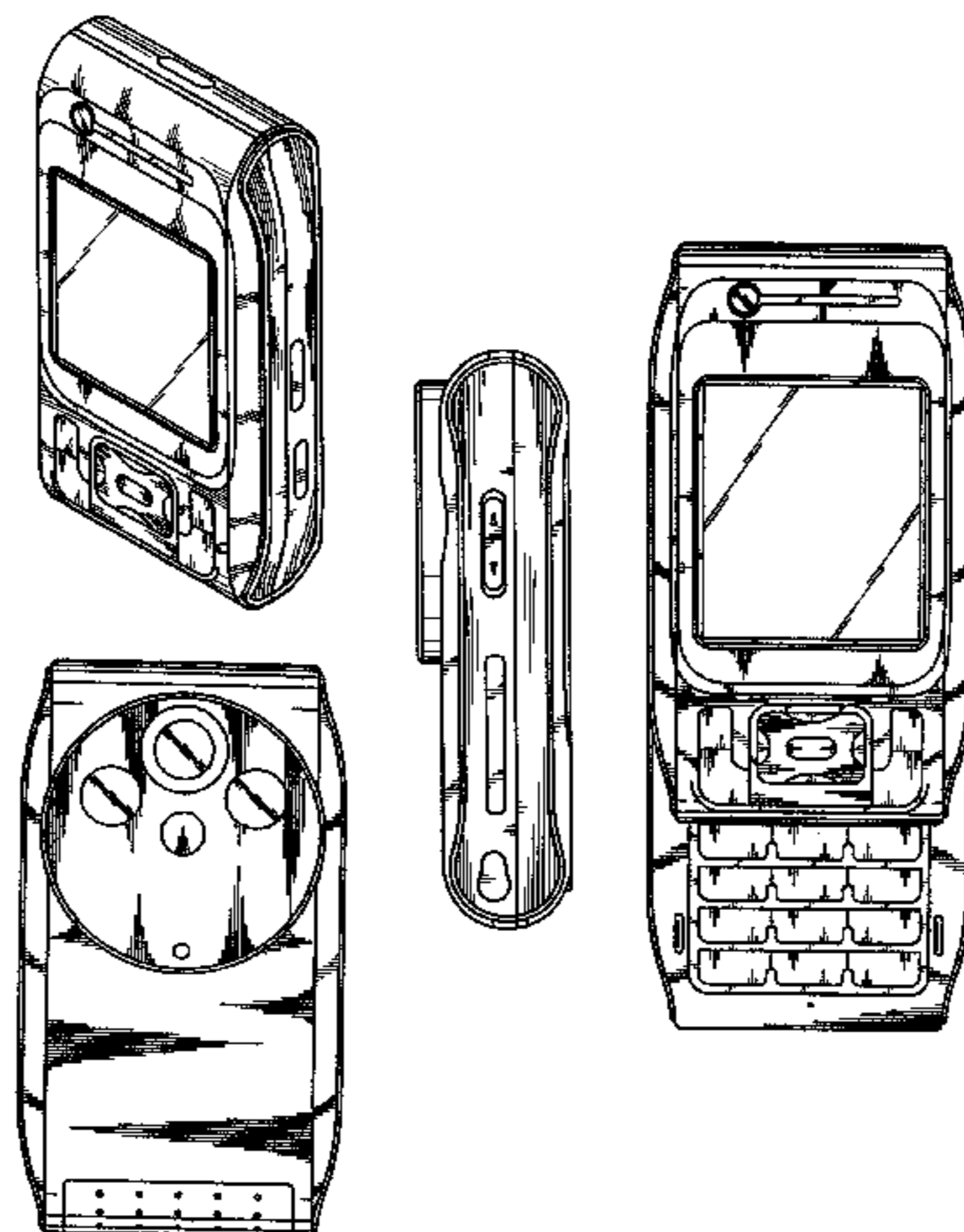
FIG. 5. is a right side elevational view thereof.

FIG. 6. is a top plan view thereof.

FIG. 7. is a bottom plan view thereof; and,

FIG. 8. is a front elevational view of using state thereof.

1 Claim, 5 Drawing Sheets



US D517,038 S

Page 2

U.S. PATENT DOCUMENTS

D498,736 S	*	11/2004	Lee	D14/138	2004/0259592 A1	*	12/2004	Taneya et al.	455/556.1
6,822,871 B1	*	11/2004	Lee et al.	361/727	2004/0266477 A1	*	12/2004	Murata	455/556.1
D501,475 S	*	2/2005	Kim	D14/346	2005/0009581 A1	*	1/2005	Im et al.	455/575.4
2003/0064688 A1	*	4/2003	Mizuta et al.	455/90	2005/0020327 A1	*	1/2005	Chung et al.	455/575.3

* cited by examiner

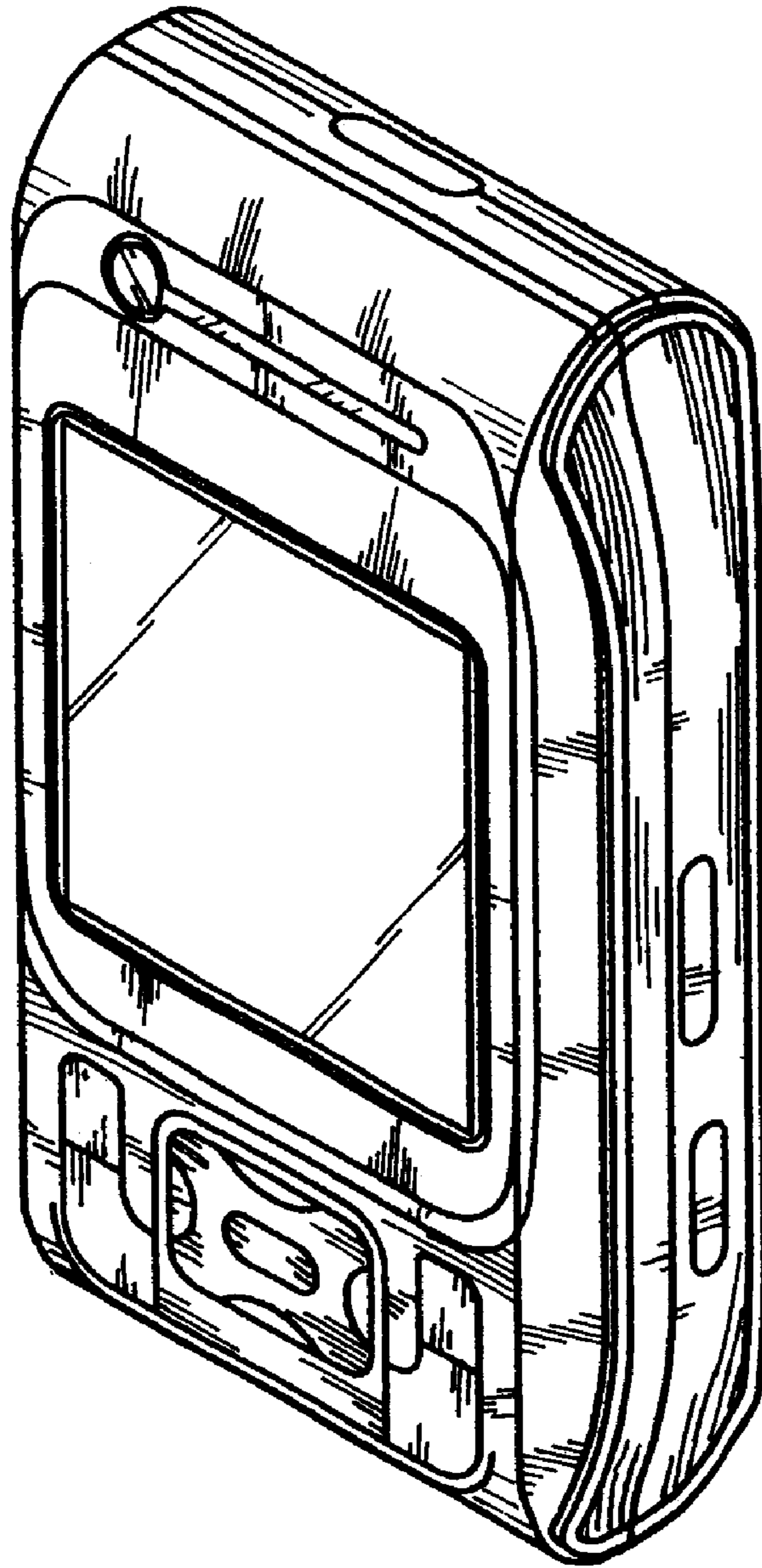


FIG. 1

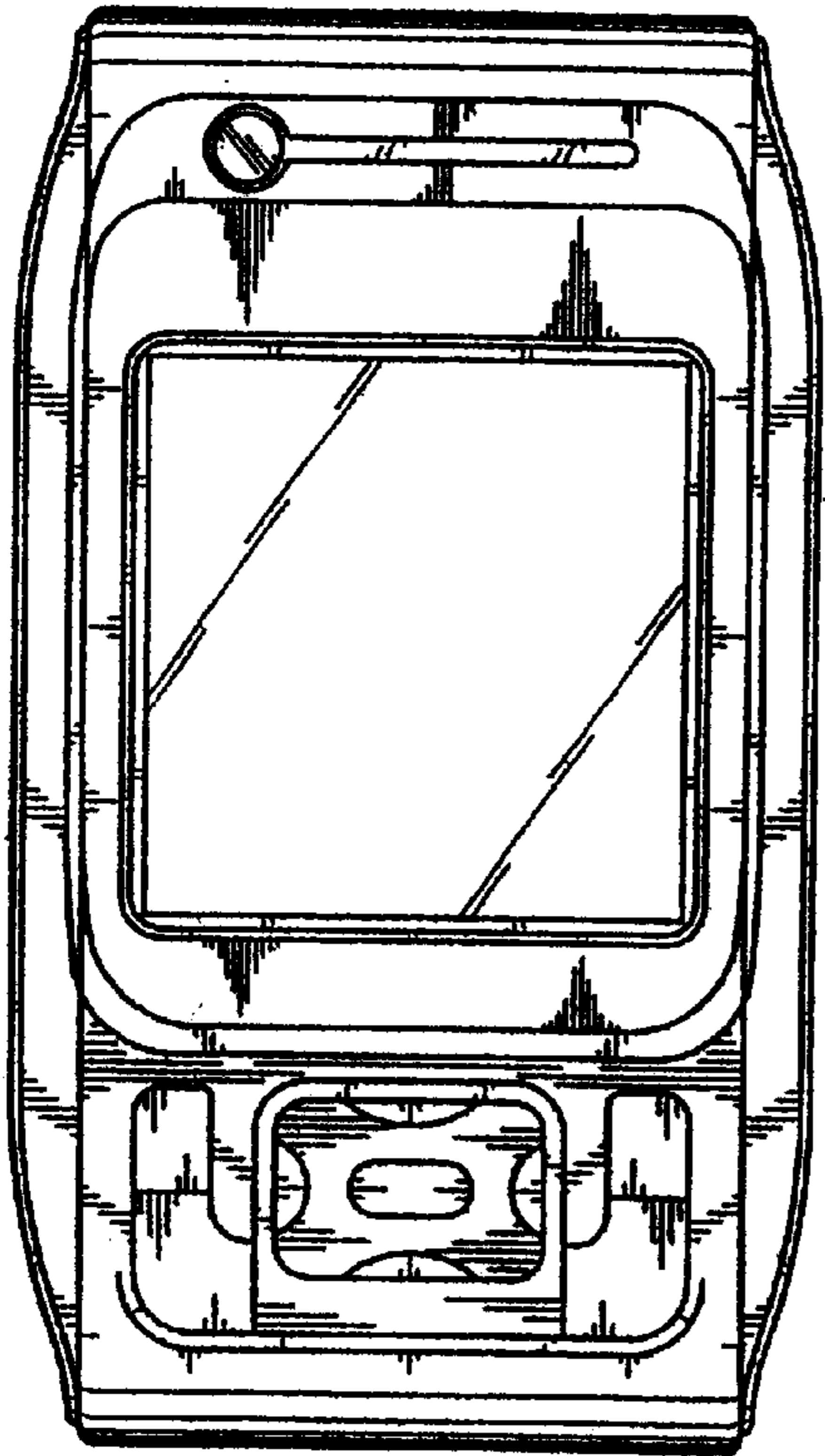


FIG. 2

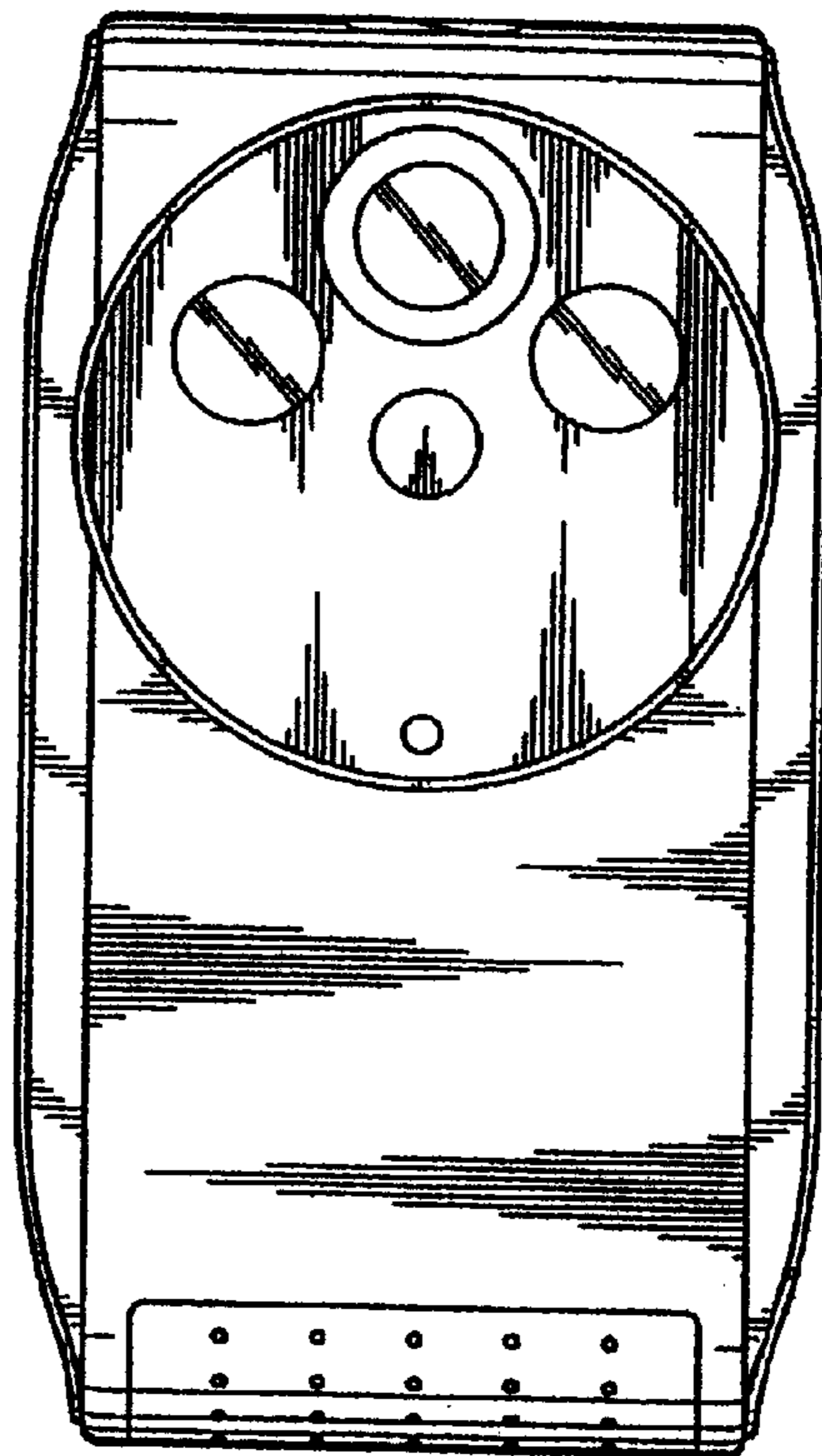


FIG. 3

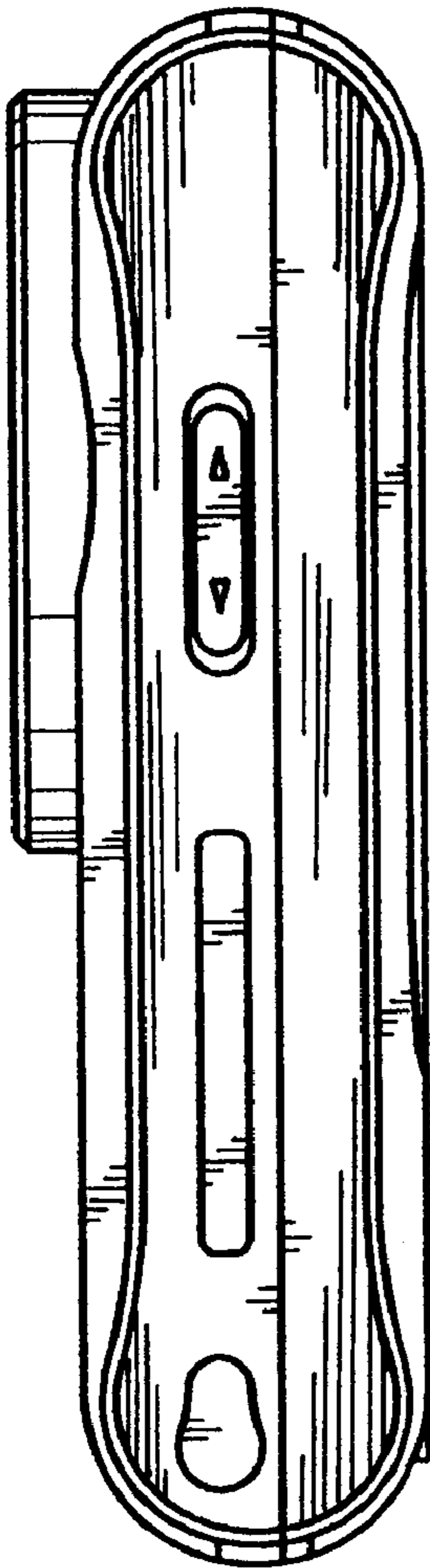


FIG. 4

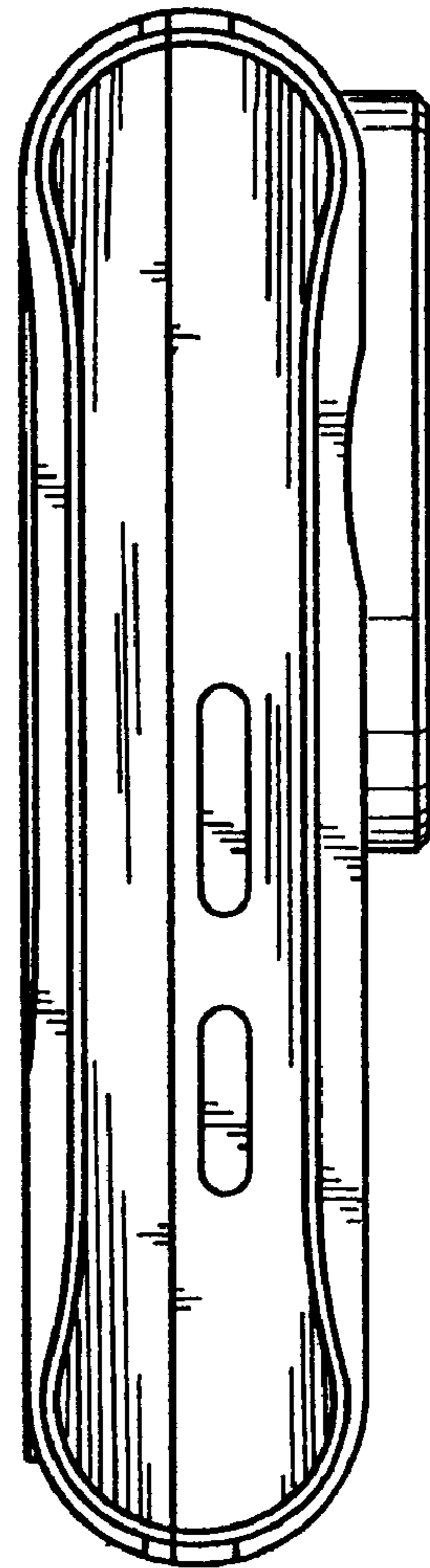


FIG. 5

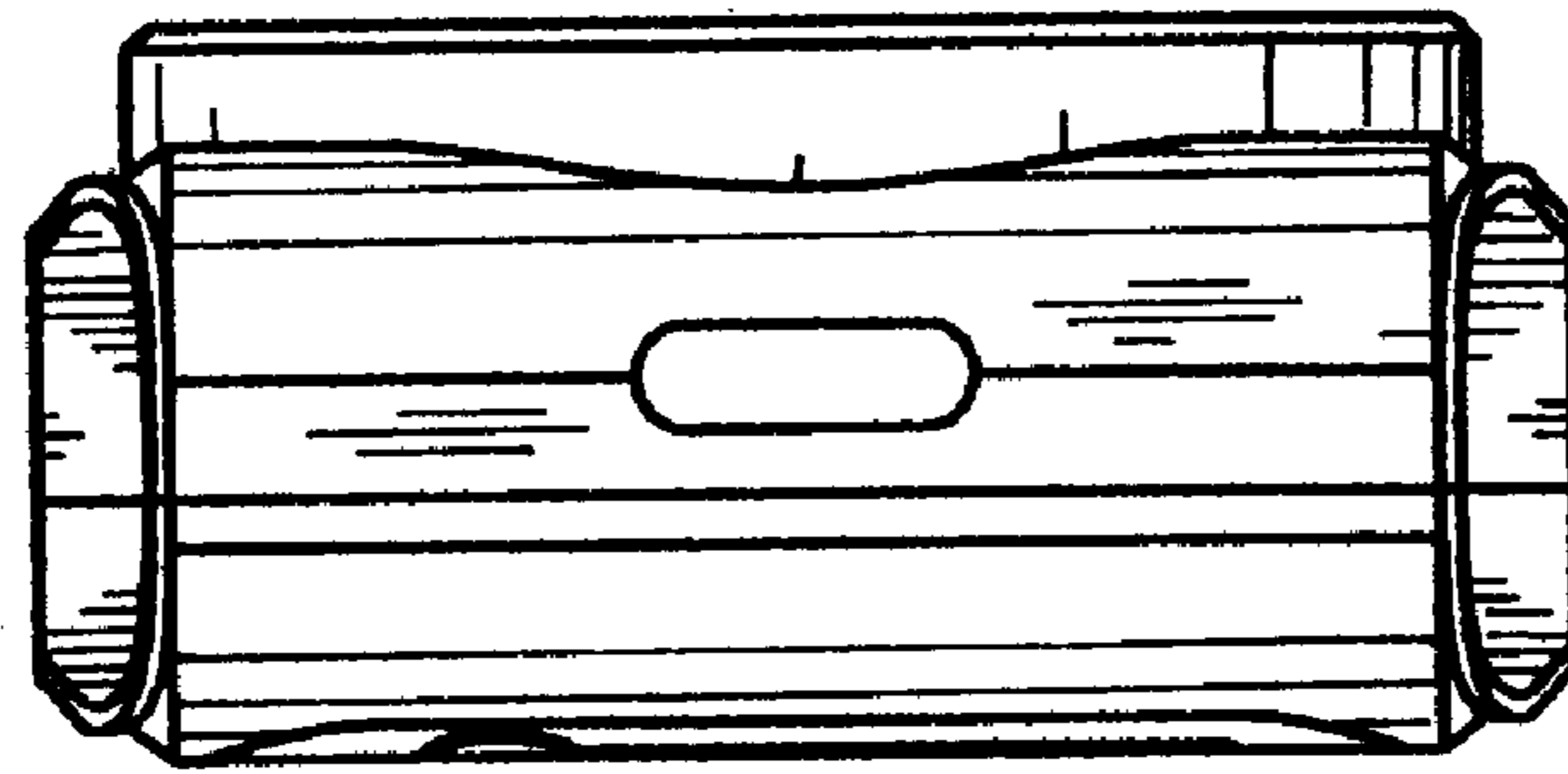


FIG. 6

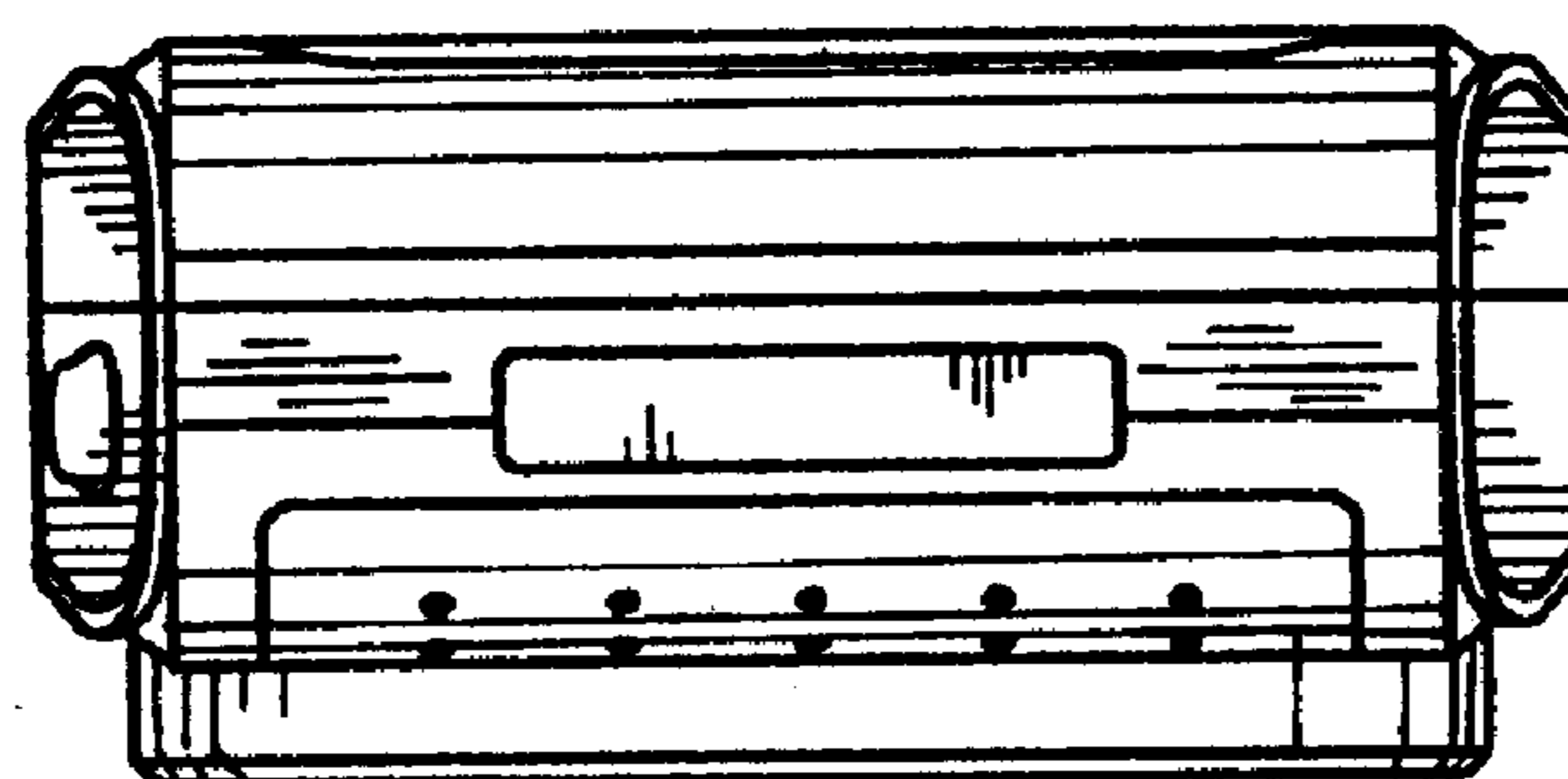


FIG. 7

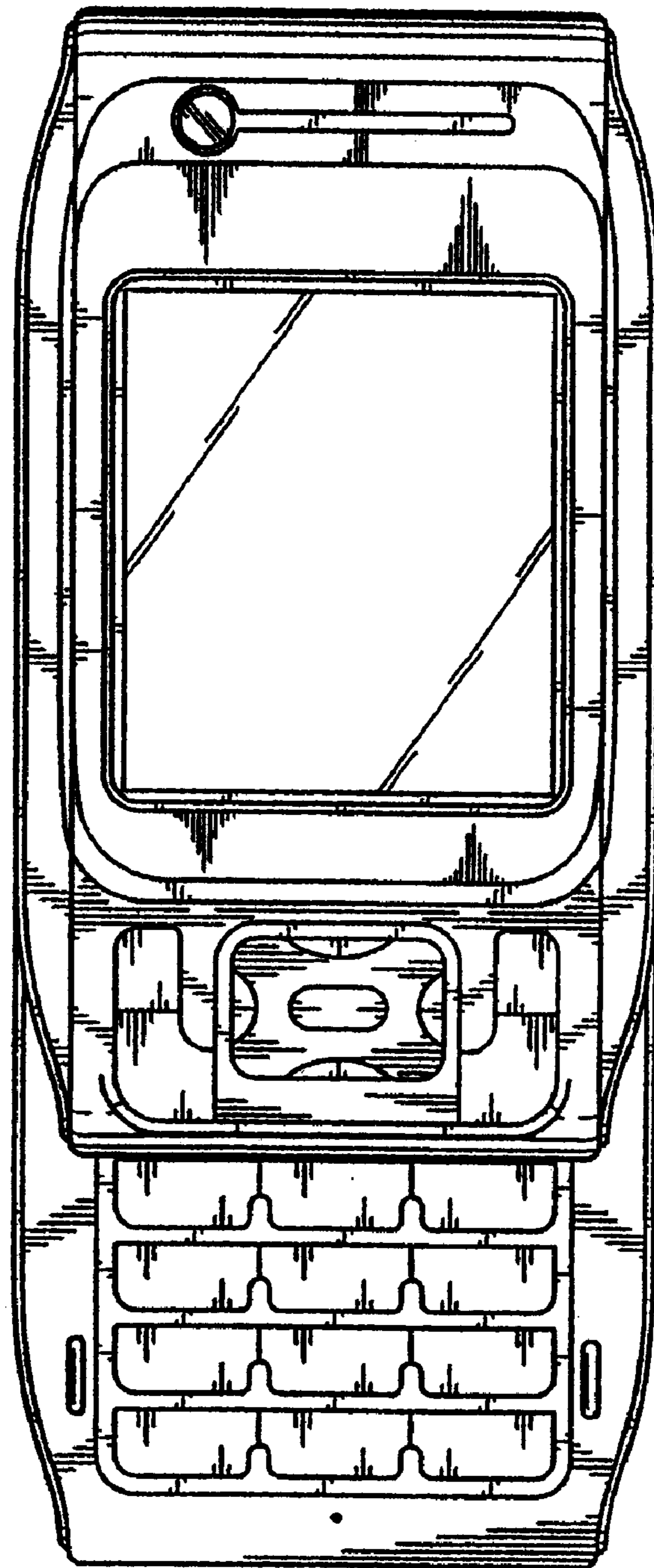


FIG. 8