



US00D517035S

(12) **United States Design Patent**  
**Sogabe**

(10) **Patent No.:** **US D517,035 S**  
(45) **Date of Patent:** **\*\* Mar. 14, 2006**

(54) **DISC PLAYER**  
(75) Inventor: **Takashi Sogabe, Tokyo (JP)**  
(73) Assignee: **Sony Corporation, Tokyo (JP)**  
(\*\*) Term: **14 Years**

D436,089 S \* 1/2001 Nishiwaki et al. .... D14/135  
D481,373 S \* 10/2003 Sogabe ..... D14/168  
D487,447 S 3/2004 Sadatsuki  
D487,448 S 3/2004 Sadatsuki  
D496,647 S 9/2004 Sogabe

\* cited by examiner

(21) Appl. No.: **29/220,552**  
(22) Filed: **Jan. 4, 2005**

*Primary Examiner*—Nanda Bondade  
(74) *Attorney, Agent, or Firm*—Rader, Fishman & Grauer PLLC

(51) **LOC (8) Cl.** ..... **14-01**  
(52) **U.S. Cl.** ..... **D14/136; D14/157**  
(58) **Field of Classification Search** ..... D14/135–136,  
D14/156–157, 160–165, 167–168, 192–198,  
D14/188, 217, 257, 258, 445; 360/99.02,  
360/99.07; 369/75.11, 75.21, 77.21, 77.11;  
720/612, 619, 647, 655; 455/344, 347–351  
See application file for complete search history.

(57) **CLAIM**

The ornamental design for a disc player, as shown.

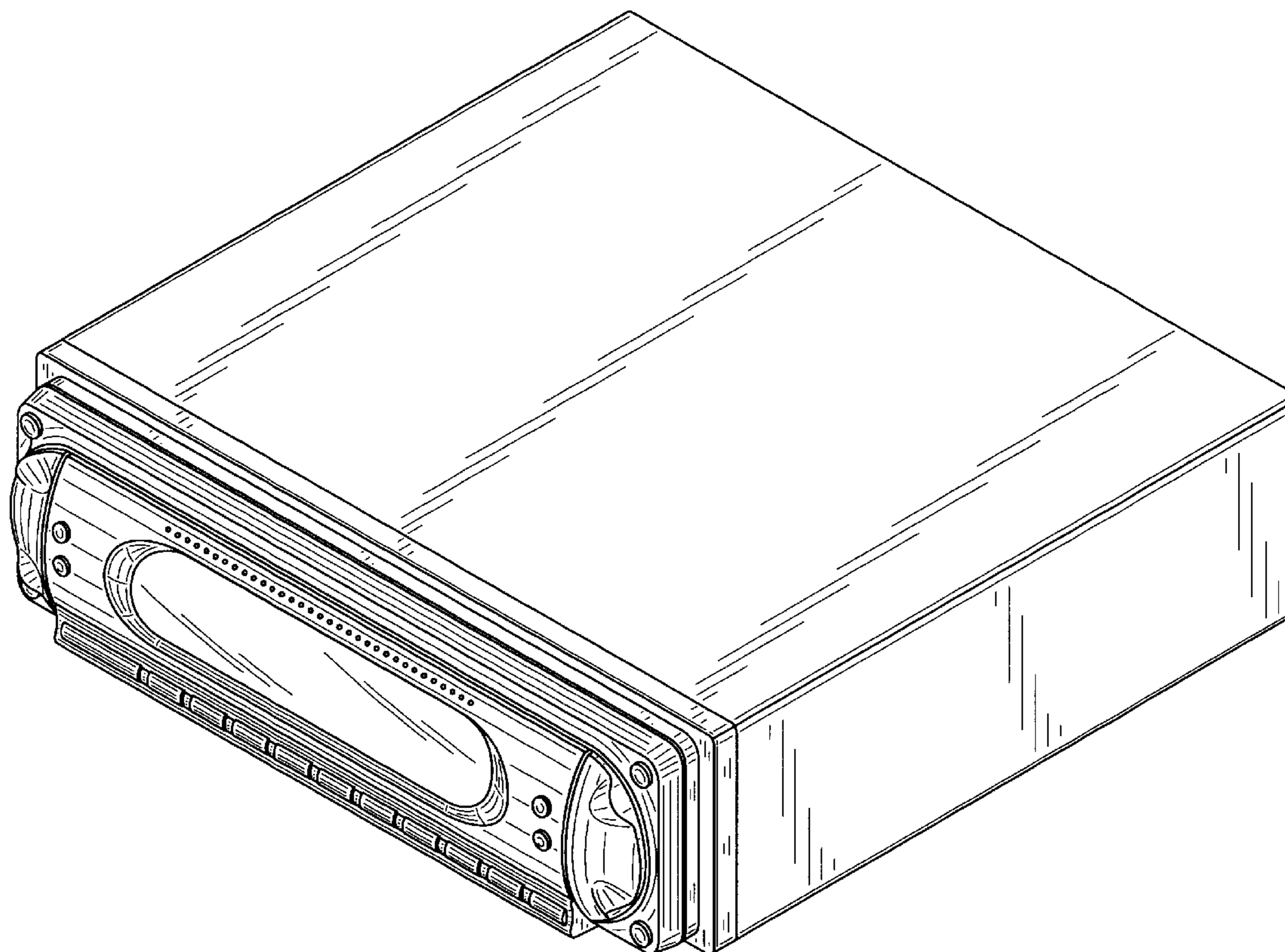
**DESCRIPTION**

FIG. 1 is a perspective view of a disc player showing my new design;  
FIG. 2 is a front elevational view thereof;  
FIG. 3 is a rear elevational view thereof;  
FIG. 4 is a left side elevational view thereof;  
FIG. 5 is a right side elevational view thereof;  
FIG. 6 is a top plan view thereof; and,  
FIG. 7 is a bottom plan view thereof.

(56) **References Cited**  
**U.S. PATENT DOCUMENTS**

D357,246 S \* 4/1995 Tanaka ..... D14/135  
5,859,828 A \* 1/1999 Ishibashi ..... 720/655  
D407,394 S \* 3/1999 Oh ..... D14/135

**1 Claim, 7 Drawing Sheets**



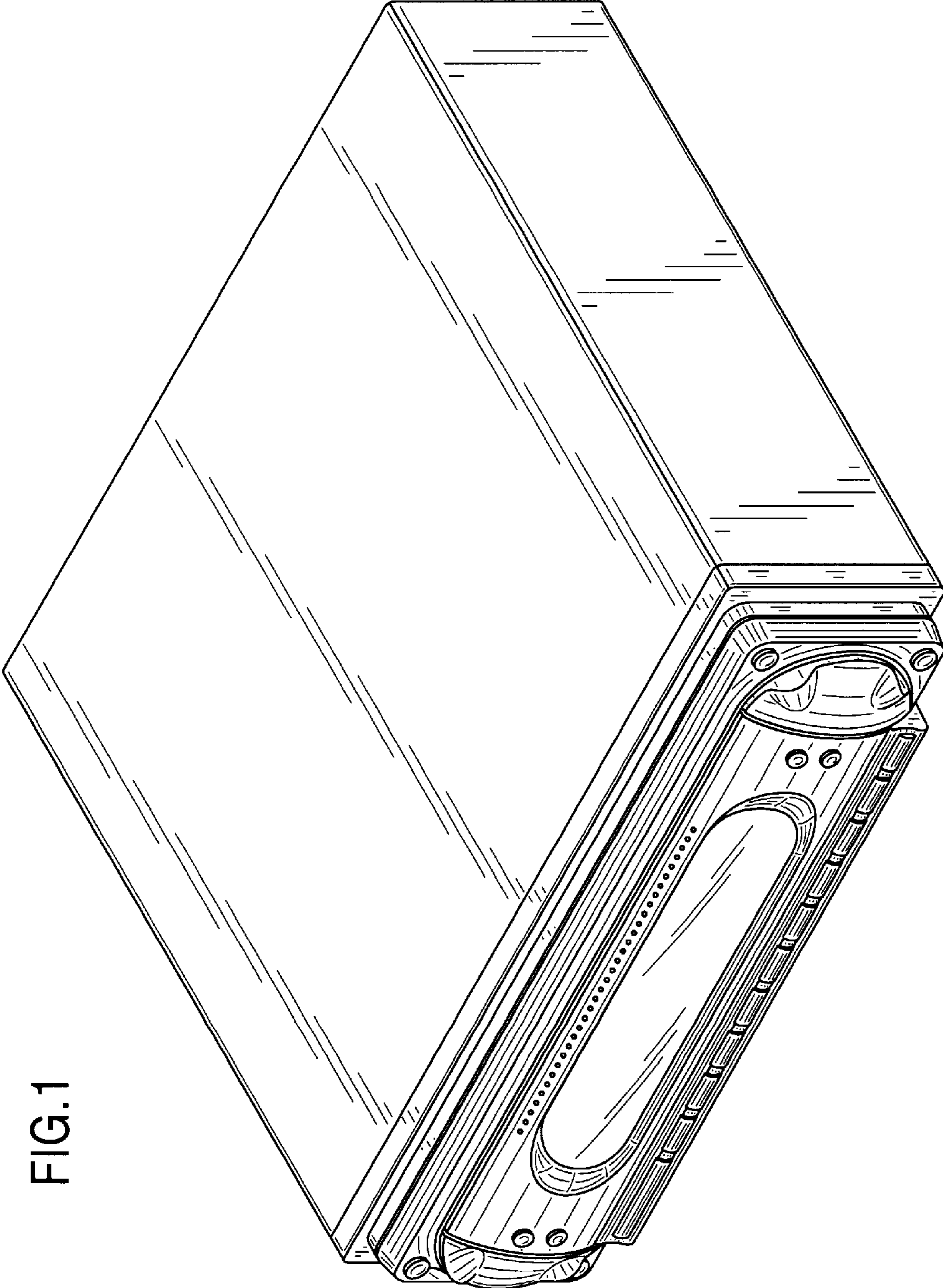


FIG.1

FIG.2

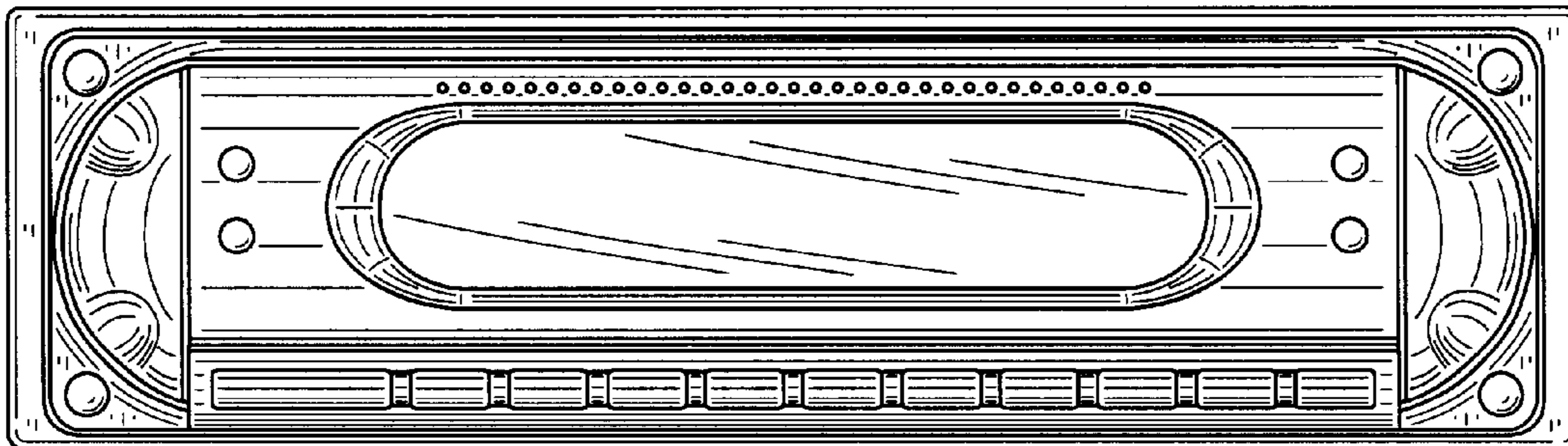


FIG.3



FIG. 4

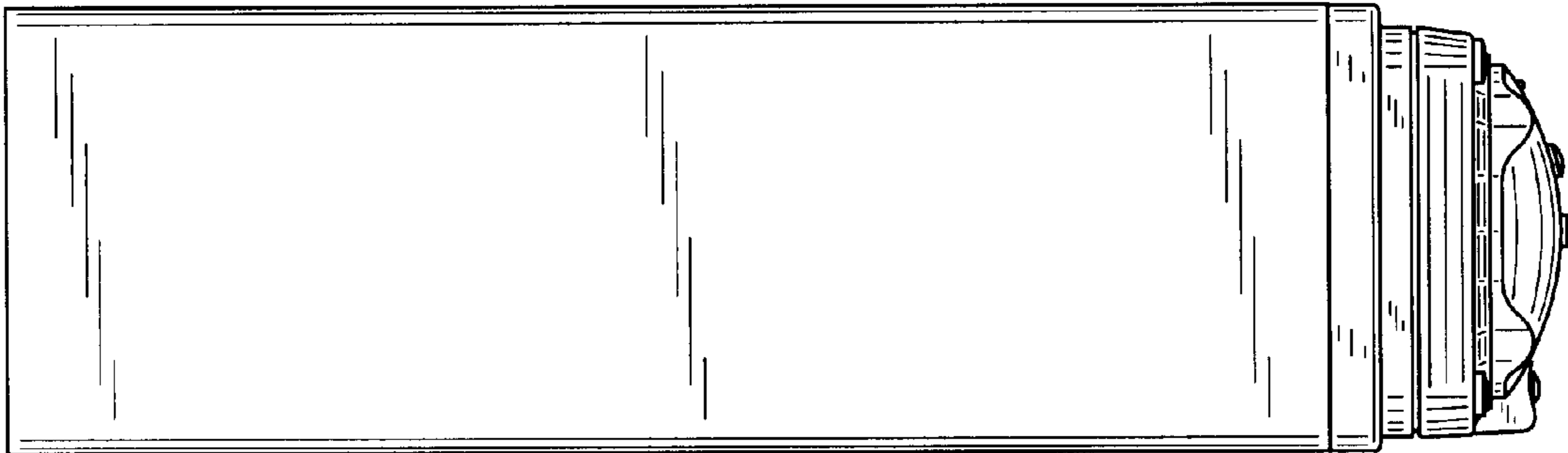


FIG.5

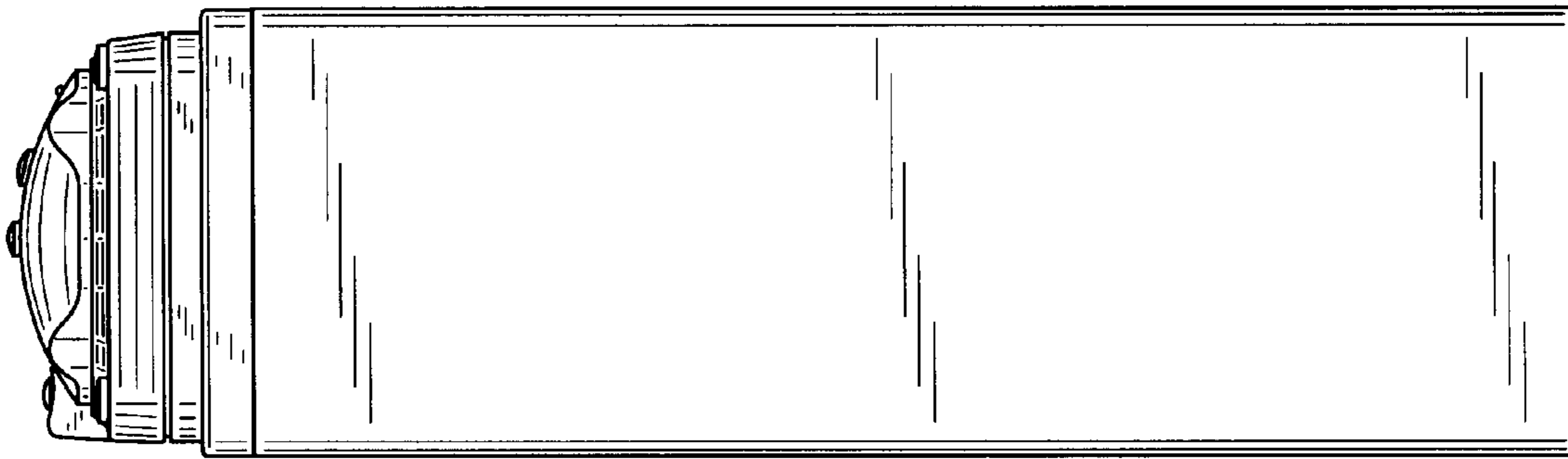




FIG.6

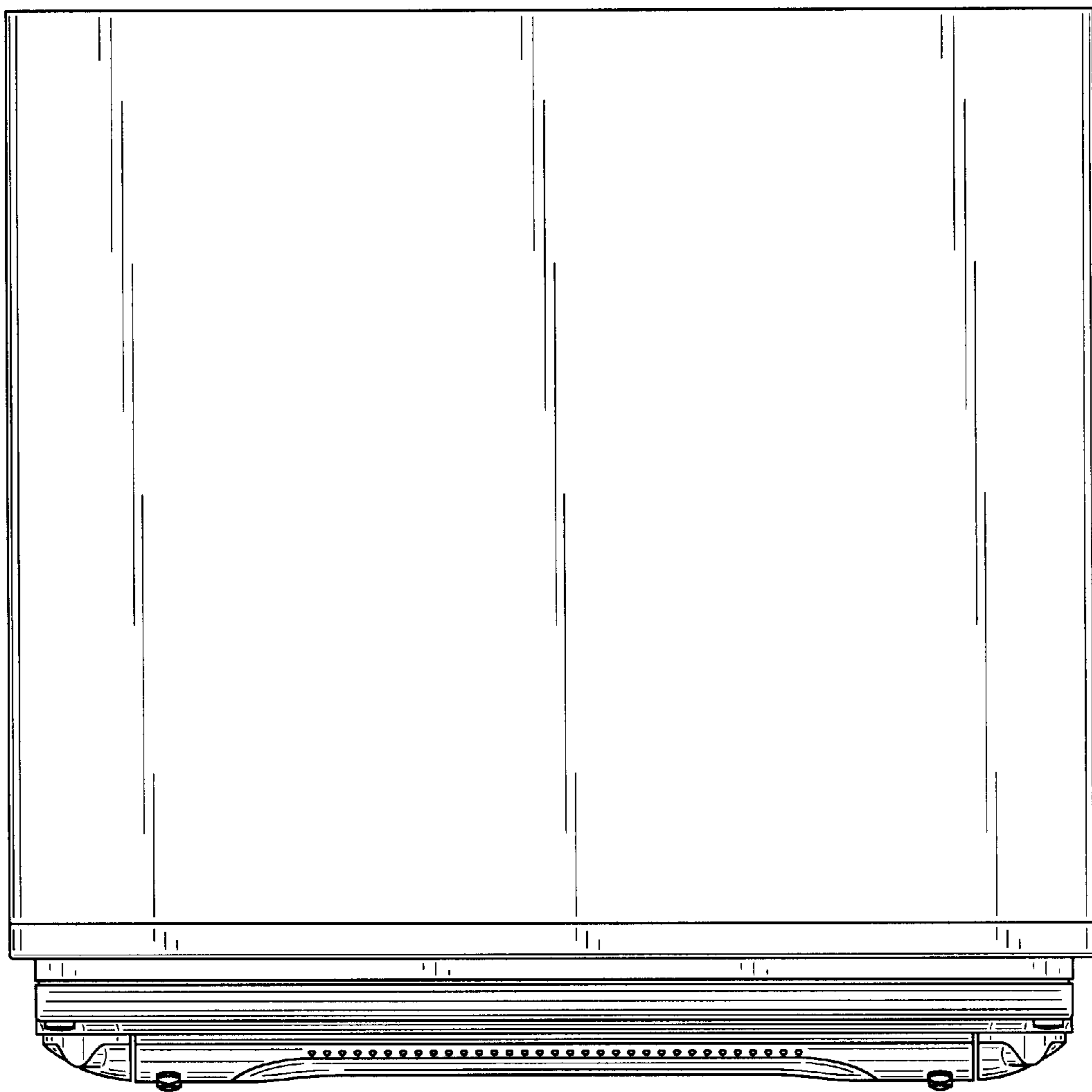


FIG.7

