



US00D517034S

(12) **United States Design Patent**  
**Takuma**

(10) **Patent No.:** **US D517,034 S**  
(45) **Date of Patent:** **\*\* Mar. 14, 2006**

(54) **DISC PLAYER**

(75) Inventor: **Tomoaki Takuma, Tokyo (JP)**

(73) Assignee: **Sony Corporation, Tokyo (JP)**

(\*\*) Term: **14 Years**

(21) Appl. No.: **29/217,013**

(22) Filed: **Nov. 12, 2004**

(30) **Foreign Application Priority Data**

Sep. 2, 2004 (JP) ..... 2004-026637

(51) **LOC (8) Cl.** ..... **14-01**

(52) **U.S. Cl.** ..... **D14/136; D14/157**

(58) **Field of Classification Search** ..... D14/135-136,  
D14/156-157, 160-165, 167-168, 192-198,  
D14/188, 217, 257, 258, 445; 360/99.02,  
360/99.07; 369/75.11, 75.21, 77.21, 77.11;  
720/612, 619, 647, 655; 455/344, 347-351  
See application file for complete search history.

(56) **References Cited**

**U.S. PATENT DOCUMENTS**

D357,246 S \* 4/1995 Tanaka ..... D14/135  
5,859,828 A \* 1/1999 Ishibashi ..... 720/655  
D407,394 S \* 3/1999 Oh ..... D14/135  
D436,088 S \* 1/2001 Yukikado et al. .... D14/135

D436,089 S \* 1/2001 Nishiwaki et al. .... D14/135  
D481,373 S \* 10/2003 Sogabe ..... D14/168  
D487,447 S 3/2004 Sadatsuki  
D487,448 S 3/2004 Sadatsuki

**OTHER PUBLICATIONS**

Web page "Pioneer Single CD Players" [http://www.pioneer-electronics.com/pna/product/album/compare/0,,2076\\_4039.00.html](http://www.pioneer-electronics.com/pna/product/album/compare/0,,2076_4039.00.html), 5 sheets, Pioneer Electronics Inc. (Aug. 2004).

\* cited by examiner

*Primary Examiner*—Nanda Bondade

(74) *Attorney, Agent, or Firm*—Rader, Fishman & Grauer PLLC

(57) **CLAIM**

The ornamental design for a disc player, as shown.

**DESCRIPTION**

FIG. 1 is a perspective view of a disc player showing my new design;

FIG. 2 is a front elevational view thereof;

FIG. 3 is a rear elevational view thereof;

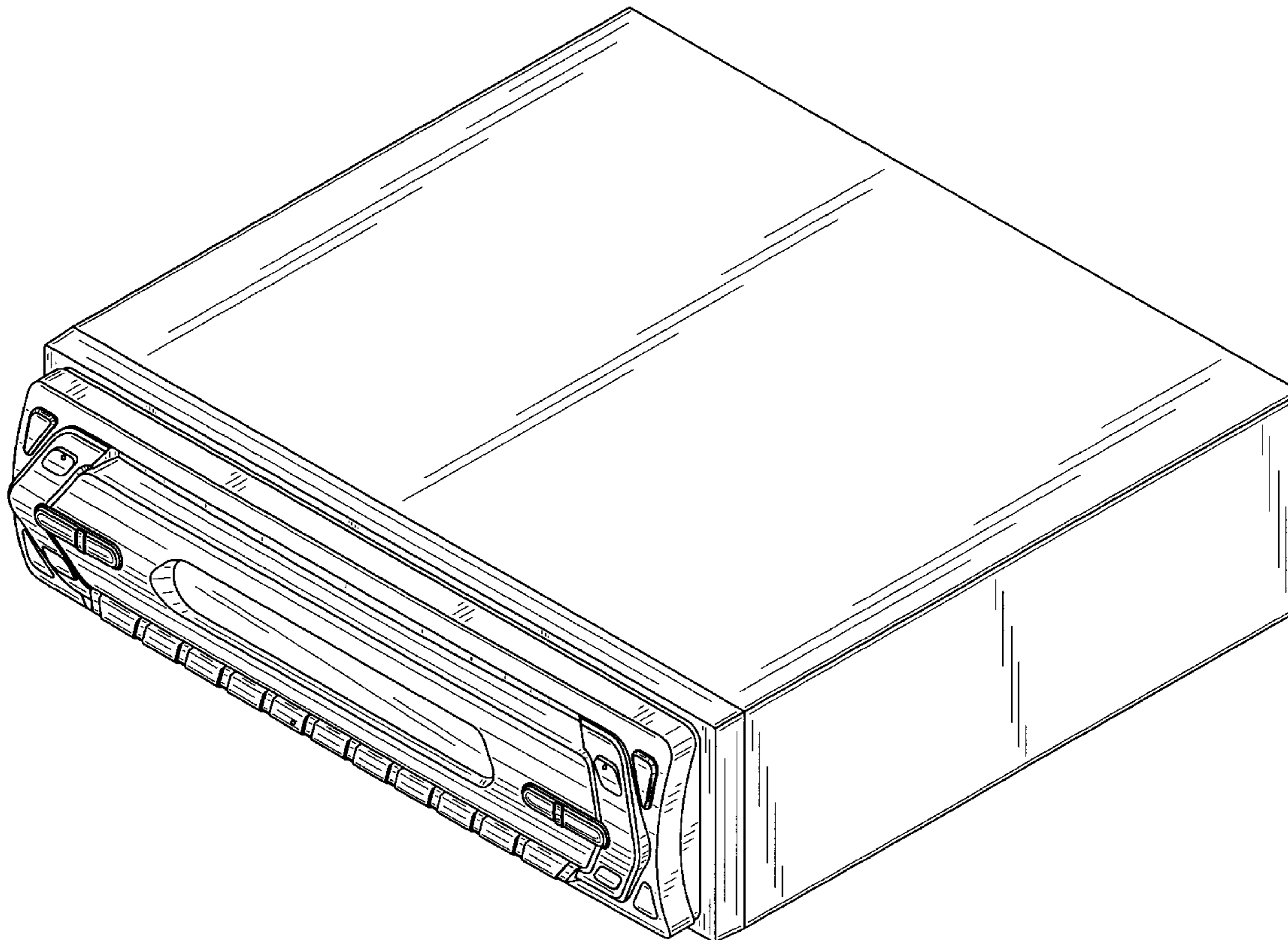
FIG. 4 is a left side elevational view thereof;

FIG. 5 is a right side elevational view thereof;

FIG. 6 is a top plan view thereof; and,

FIG. 7 is a bottom plan view thereof.

**1 Claim, 5 Drawing Sheets**



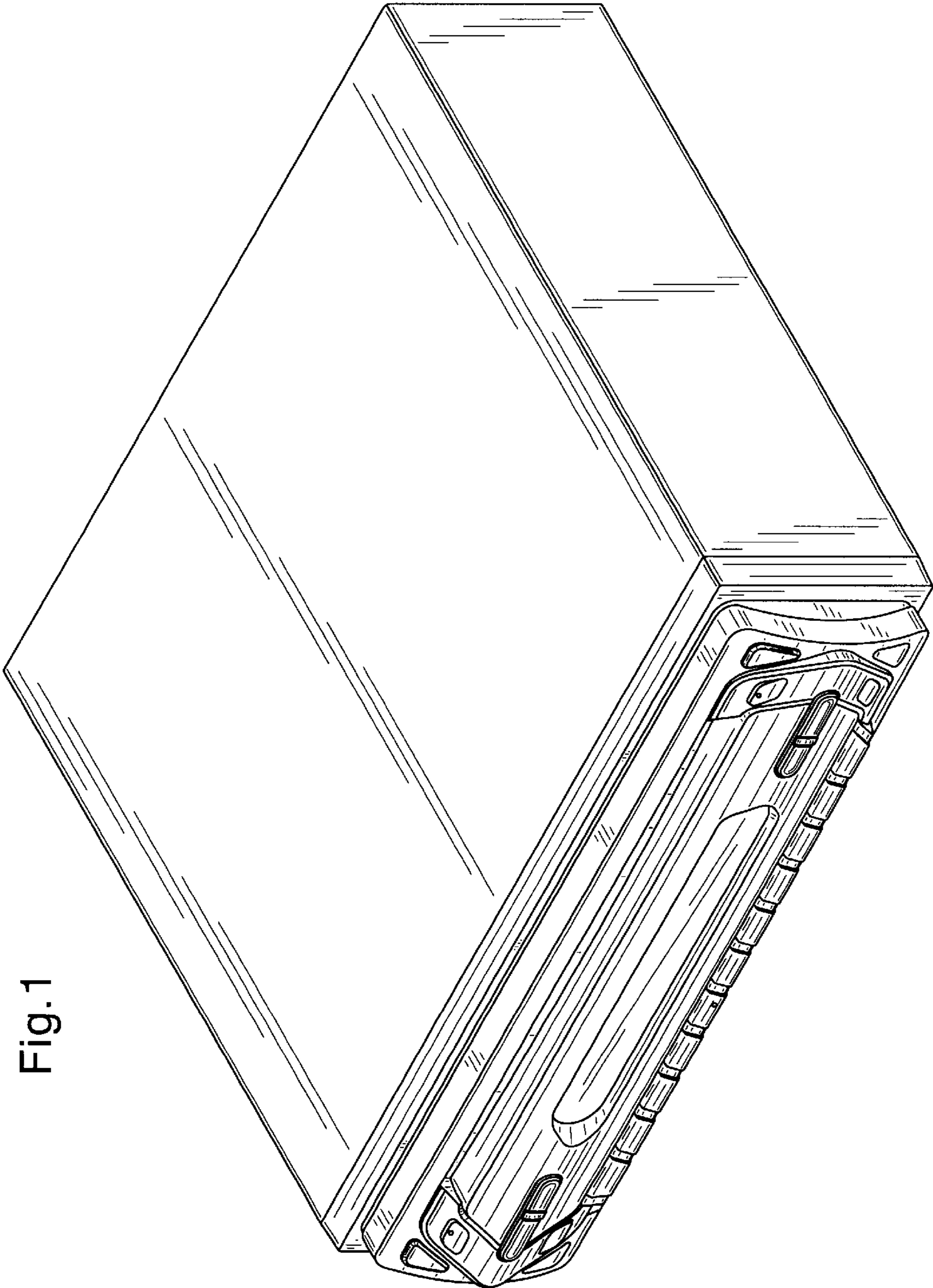


Fig.1

Fig.2

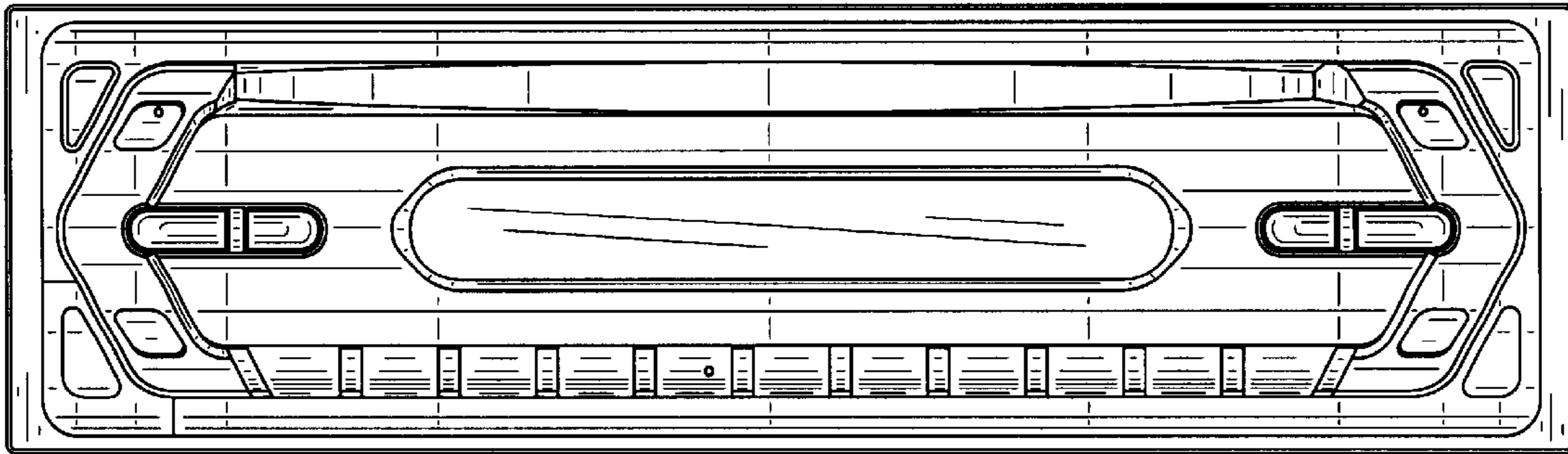


Fig.3

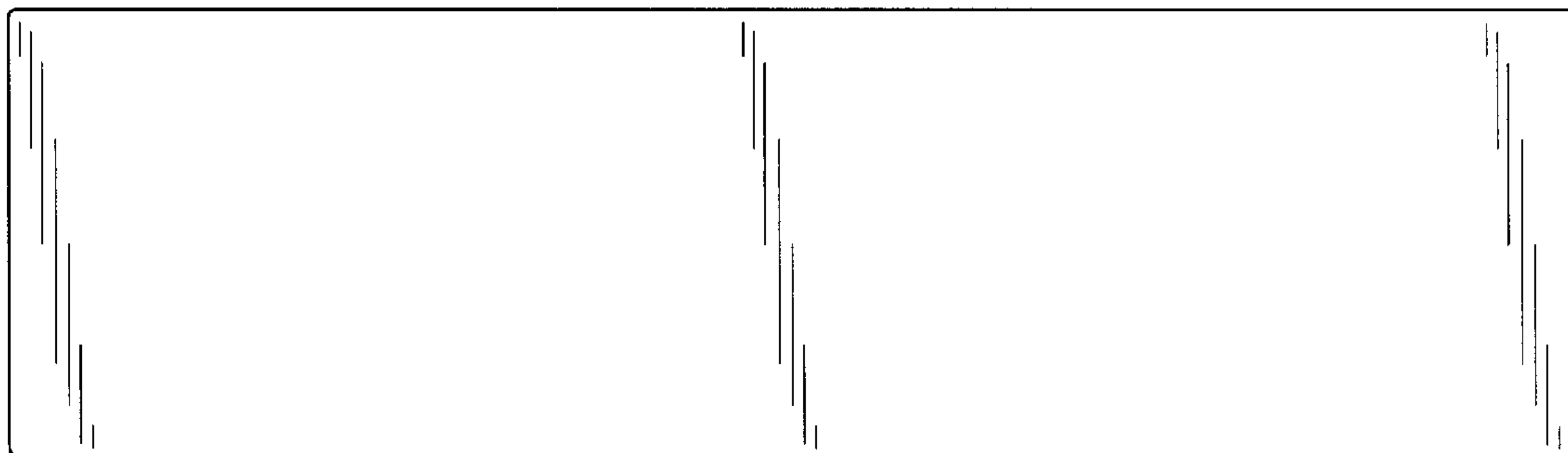


Fig.4

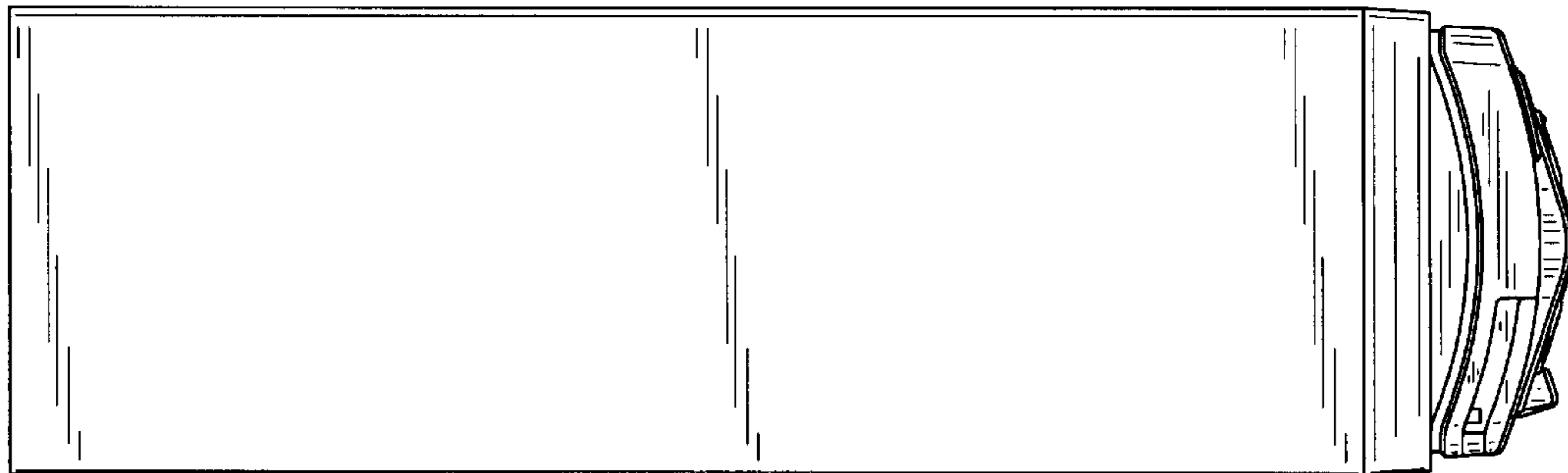


Fig.5

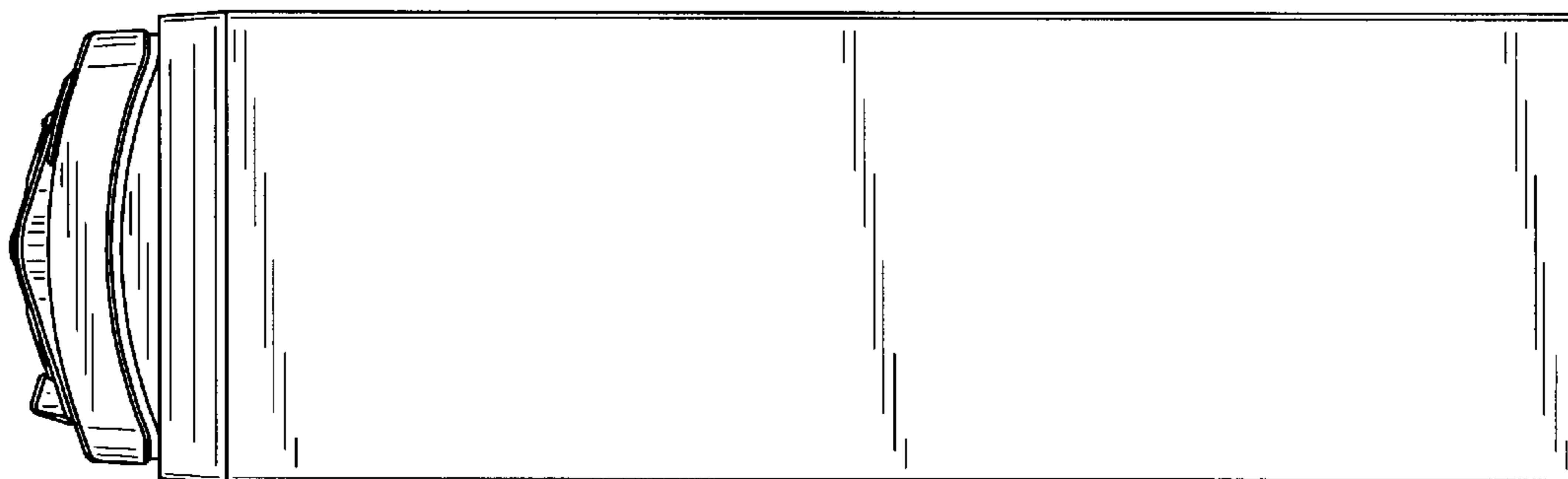


Fig.6

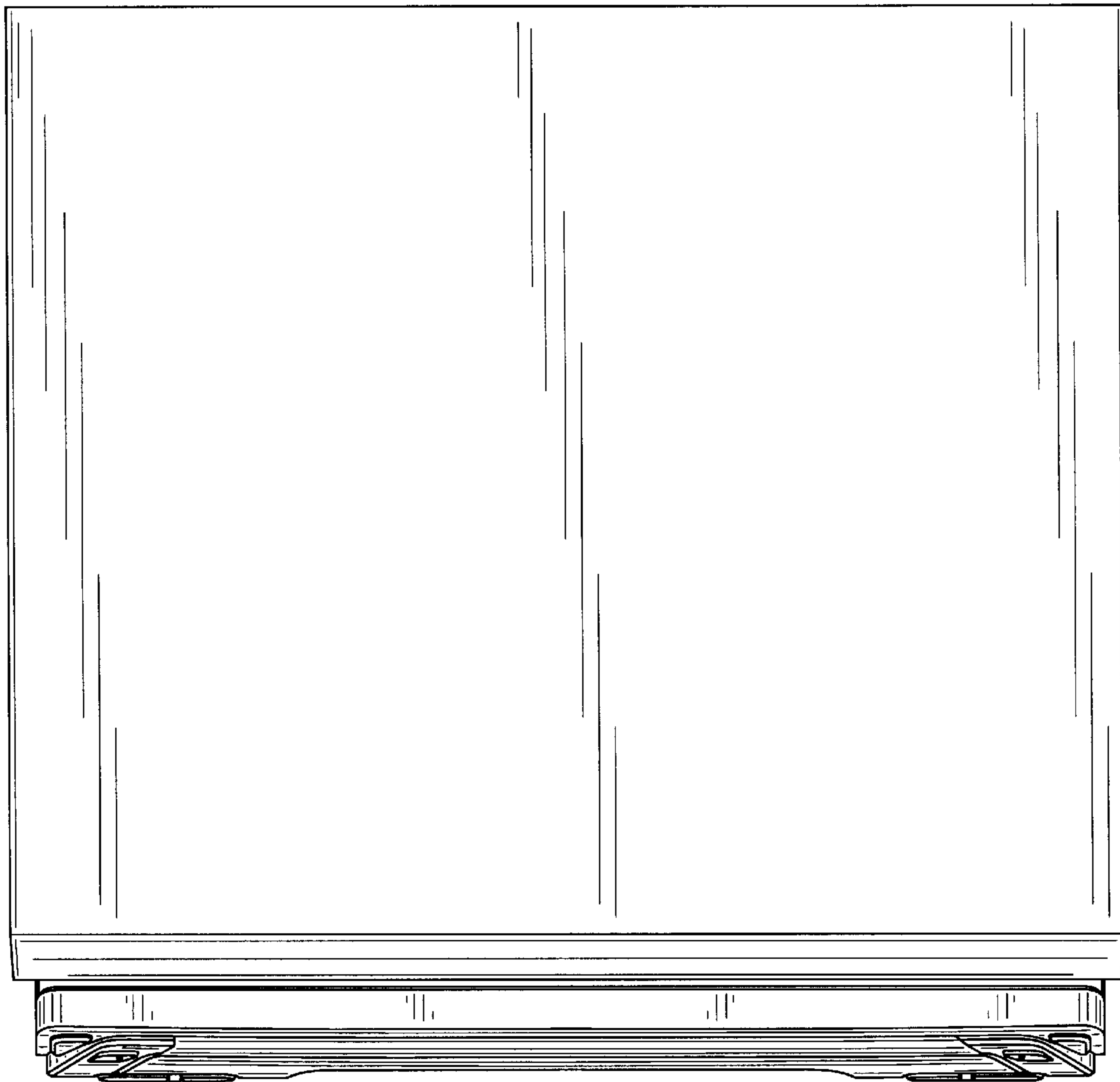


Fig.7

