



US00D517031S

(12) **United States Design Patent**
Wu

(10) **Patent No.:** **US D517,031 S**
(45) **Date of Patent:** **** Mar. 14, 2006**

(54) **OPTICAL DISK APPARATUS**
(75) Inventor: **Chun-Ting Wu, Hsinchu (TW)**
(73) Assignee: **Lite-On It Corporation, Taipei (TW)**
(**) Term: **14 Years**

D484,473 S * 12/2003 Johansson et al. D14/136
D484,474 S * 12/2003 Johansson et al. D14/136
D485,814 S * 1/2004 Winkler D14/136
D487,571 S * 3/2004 Kuo et al. D14/136
D493,434 S * 7/2004 Wu D14/136
D494,150 S * 8/2004 Wu D14/136
D494,172 S * 8/2004 Asai D14/368
D497,148 S * 10/2004 Kamata et al. D14/136

(21) Appl. No.: **29/201,008**
(22) Filed: **Mar. 9, 2004**

* cited by examiner

(30) **Foreign Application Priority Data**

Primary Examiner—Cathron C. Brooks
Assistant Examiner—Austin Murphy
(74) *Attorney, Agent, or Firm*—Thomas, Kayden
Horstmeyer & Risley

Oct. 6, 2003 (TW) 92306095

(51) **LOC (8) Cl.** **14-01**
(52) **U.S. Cl.** **D14/136; D14/167**
(58) **Field of Classification Search** D14/445,
D14/260.1, 258, 257, 224, 217, 198, 197,
D14/196, 195, 194, 193, 192, 188, 168, 167,
D14/156, 136, 135; 455/350, 347, 344; 369/77.1,
369/75.2, 75.1

(57) **CLAIM**

I claim the ornamental design for an optical disk apparatus,
as shown and described.

See application file for complete search history.

DESCRIPTION

(56) **References Cited**

FIG. 1 is a perspective view of an “optical disk apparatus”
showing my new design.
FIG. 2 is a front view thereof;
FIG. 3 is a rear view thereof;
FIG. 4 is a left side view thereof;
FIG. 5 is a right side view thereof;
FIG. 6 is a top plan view thereof; and,
FIG. 7 is a bottom plan view thereof.
The broken lines shown in FIGS. 3–7 form no part of the
claimed design.
As used herein, an optical disk apparatus includes players
and/or recorders for DVDs (digital versatile disks) as well as
other optical disk formats.

U.S. PATENT DOCUMENTS

D314,198 S * 1/1991 Ito et al. D14/156
D368,088 S * 3/1996 Cha D14/135
D385,275 S * 10/1997 Ito et al. D14/156
D407,711 S * 4/1999 Storti et al. D14/257
D432,112 S * 10/2000 Hisatsune D14/156
D438,183 S * 2/2001 Sato et al. D14/136
D460,428 S * 7/2002 Kojima et al. D14/136
D467,567 S * 12/2002 Tsuge D14/156
D472,534 S * 4/2003 Ueno et al. D14/136
D480,693 S * 10/2003 Johansson et al. D14/136

1 Claim, 3 Drawing Sheets

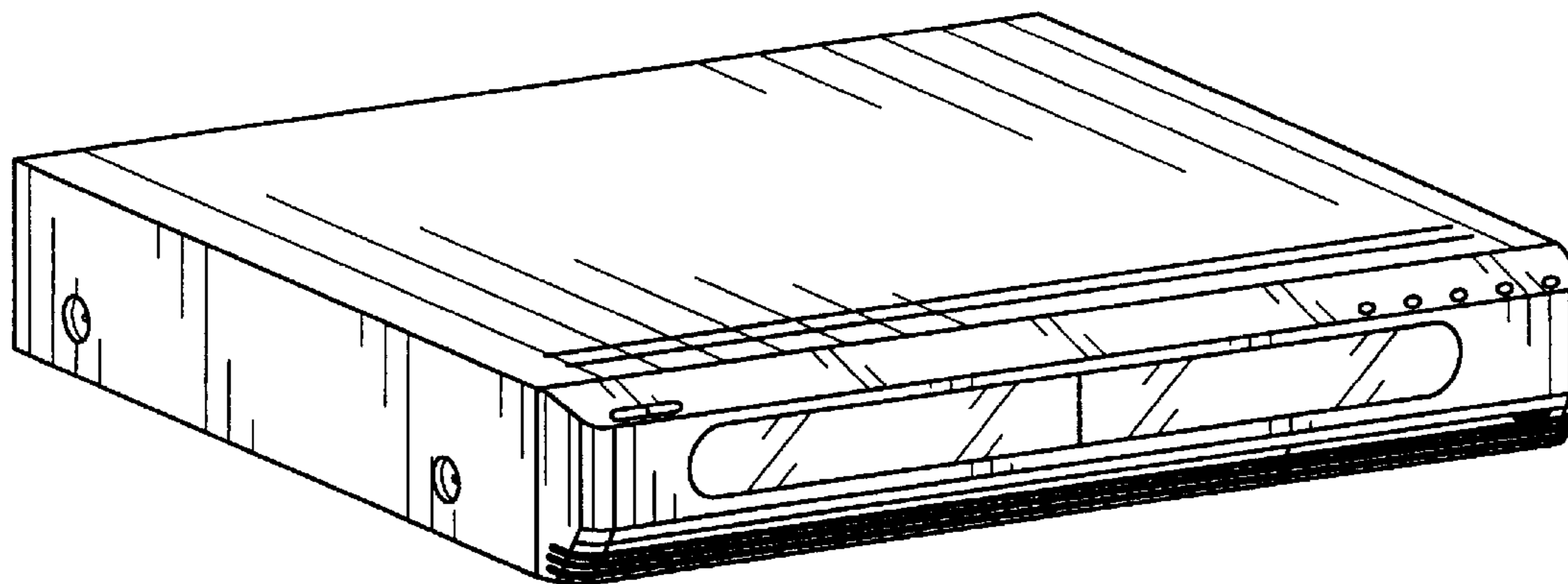


FIG.1

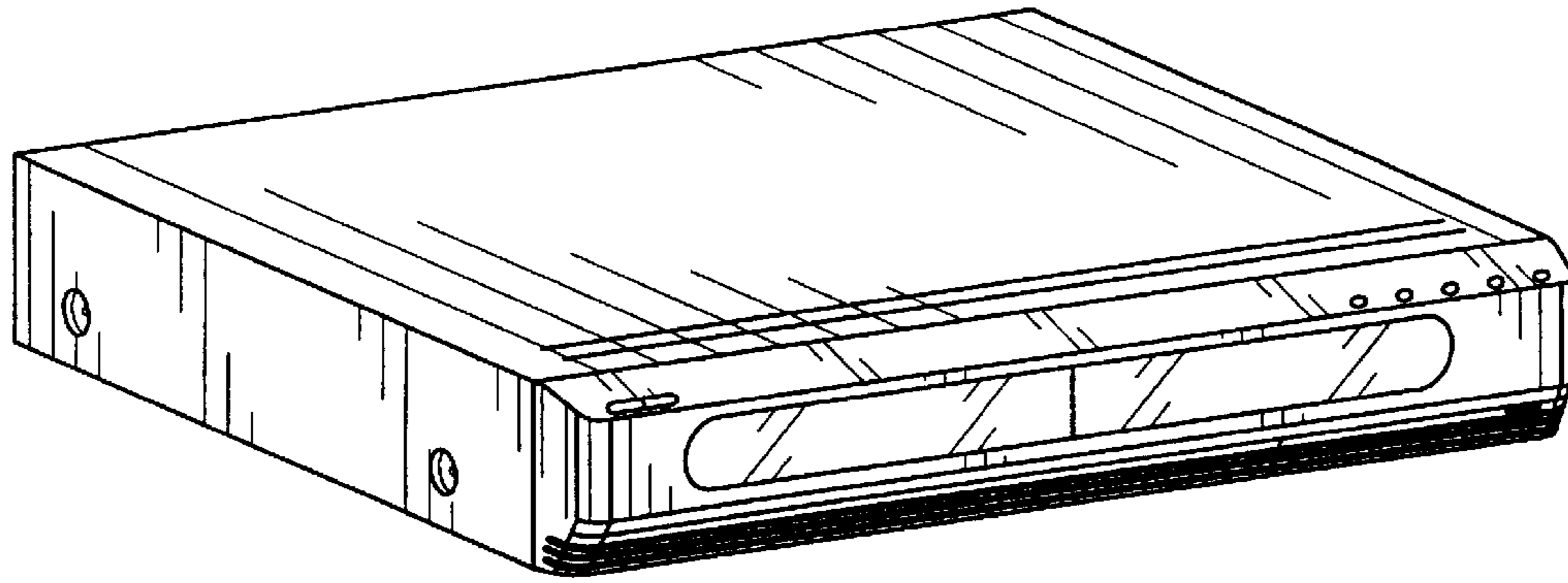


FIG.2

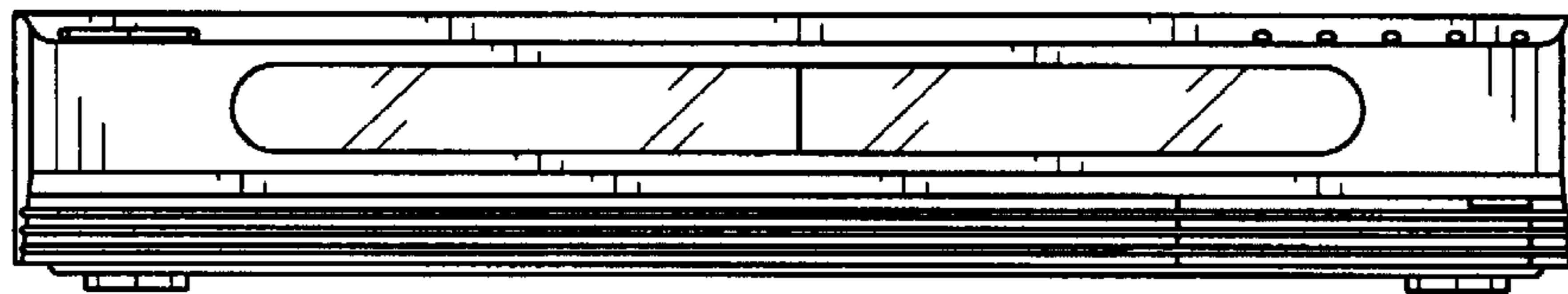


FIG.3

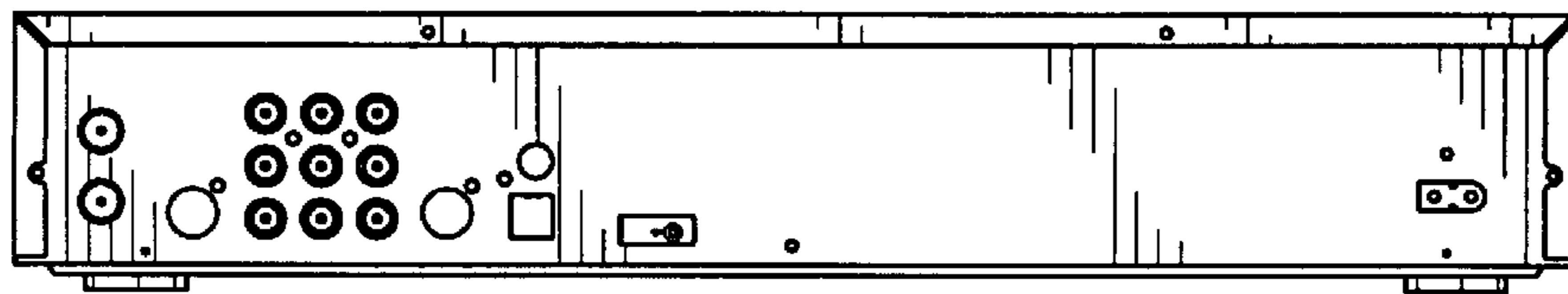


FIG.4

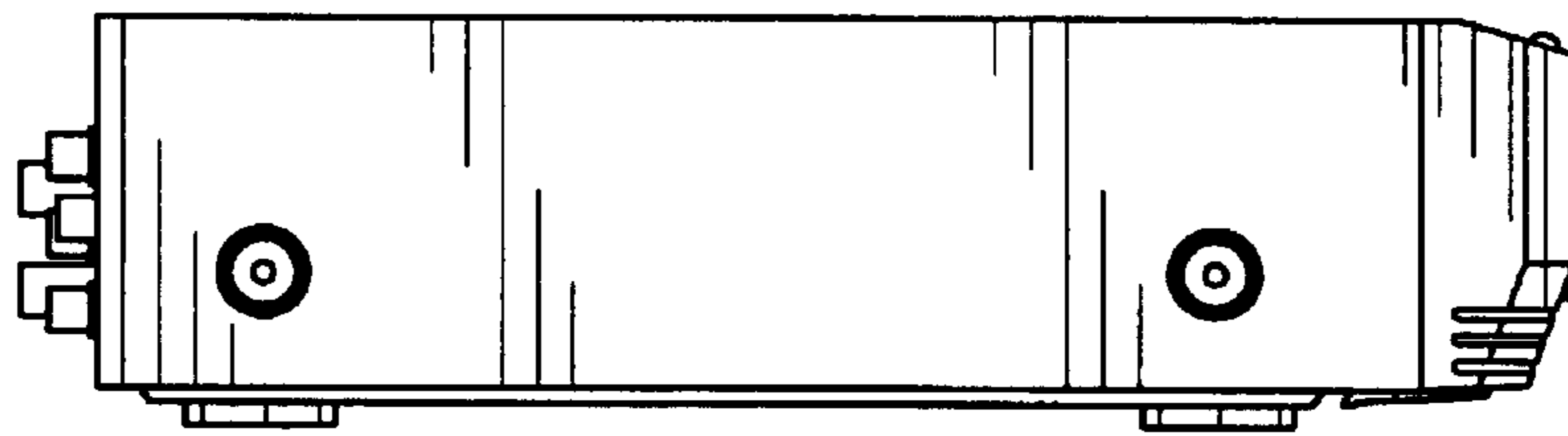


FIG.5

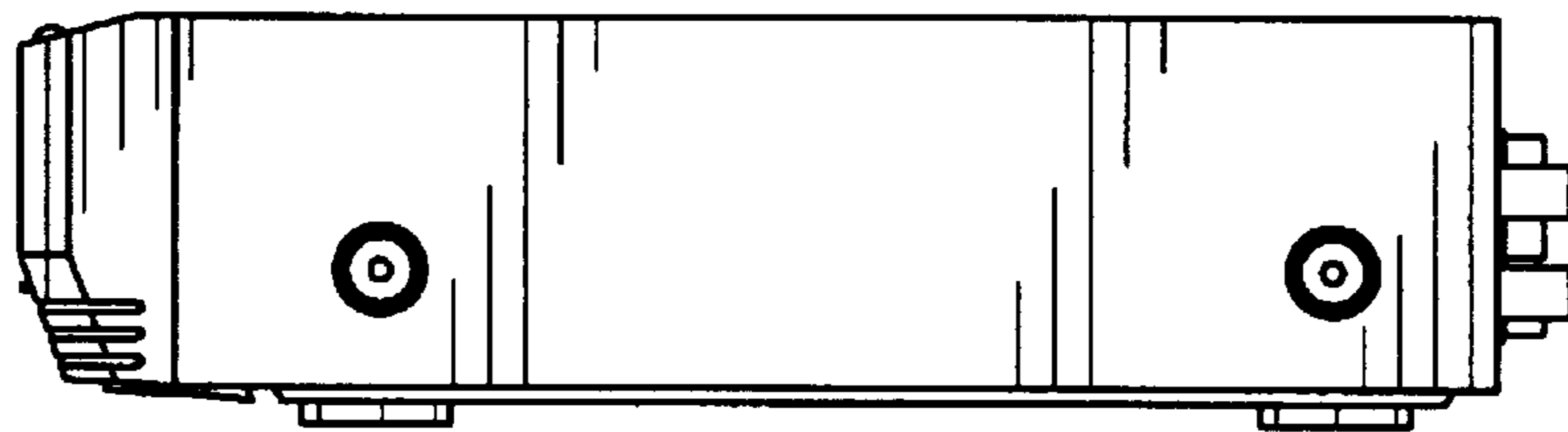


FIG.6

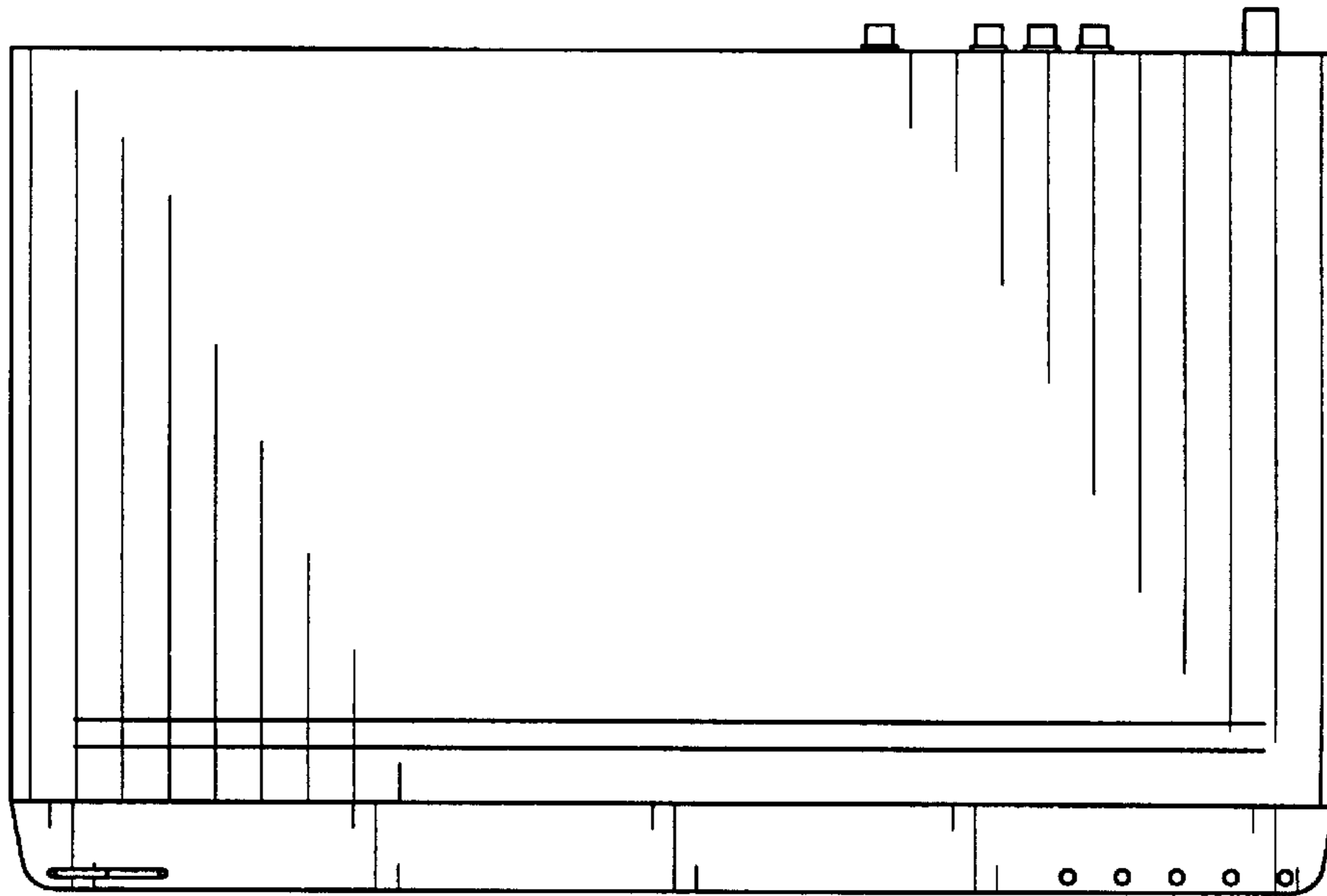


FIG.7

