



US00D517027S

(12) **United States Design Patent**  
**Suenaga**

(10) **Patent No.:** **US D517,027 S**  
(45) **Date of Patent:** **\*\* Mar. 14, 2006**

(54) **LIGHT EMITTING DIODE**

(75) **Inventor:** **Ryoma Suenaga, Komatsushima (JP)**

(73) **Assignee:** **Nichia Corporation, Anan (JP)**

(\*\*) **Term:** **14 Years**

(21) **Appl. No.:** **29/231,495**

(22) **Filed:** **Jun. 7, 2005**

5,644,107 A	7/1997	Kubota et al.
5,682,674 A	11/1997	Yamazaki et al.
5,966,052 A	10/1999	Sakai
RE36,614 E	3/2000	Lumbard et al.
6,079,099 A	6/2000	Uchida et al.
6,093,940 A	7/2000	Ishinaga et al.
6,355,946 B1	3/2002	Ishinaga et al.
6,383,835 B1	5/2002	Hata et al.
6,495,861 B1	12/2002	Ishinaga
6,593,598 B1	7/2003	Ishinaga
2002/0167063 A1	11/2002	Fujimoto et al.

**Related U.S. Application Data**

(62) Division of application No. 29/206,789, filed on Jun. 4, 2004, now Pat. No. Des. 508,235.

(30) **Foreign Application Priority Data**

Dec. 5, 2003 (JP)	.....	2003-036142
Dec. 5, 2003 (JP)	.....	2003-036143
Dec. 5, 2003 (JP)	.....	2003-036144
Dec. 5, 2003 (JP)	.....	2003-036145
Dec. 5, 2003 (JP)	.....	2003-036146

(51) **LOC (8) Cl.** ..... **13-03**

(52) **U.S. Cl.** ..... **D13/180**

(58) **Field of Classification Search** ..... D13/180,  
D13/182; 174/52.4; 257/81, 91, 99, 431,  
257/433, 466, E33.057, 666; 313/500; 315/169.2,  
315/169.3; 331/68; 333/203

See application file for complete search history.

(56) **References Cited**

**U.S. PATENT DOCUMENTS**

4,963,843 A 10/1990 Peckham

*Primary Examiner*—Stella Reid

*Assistant Examiner*—Selina Sikder

(74) *Attorney, Agent, or Firm*—Smith Patent Office

(57) **CLAIM**

I claim the ornamental design for a light emitting diode, as shown and described.

**DESCRIPTION**

FIG. 1 is a top plan view of a light emitting diode showing my new design;

FIG. 2 is a left side elevation view thereof;

FIG. 3 is a front elevation view thereof;

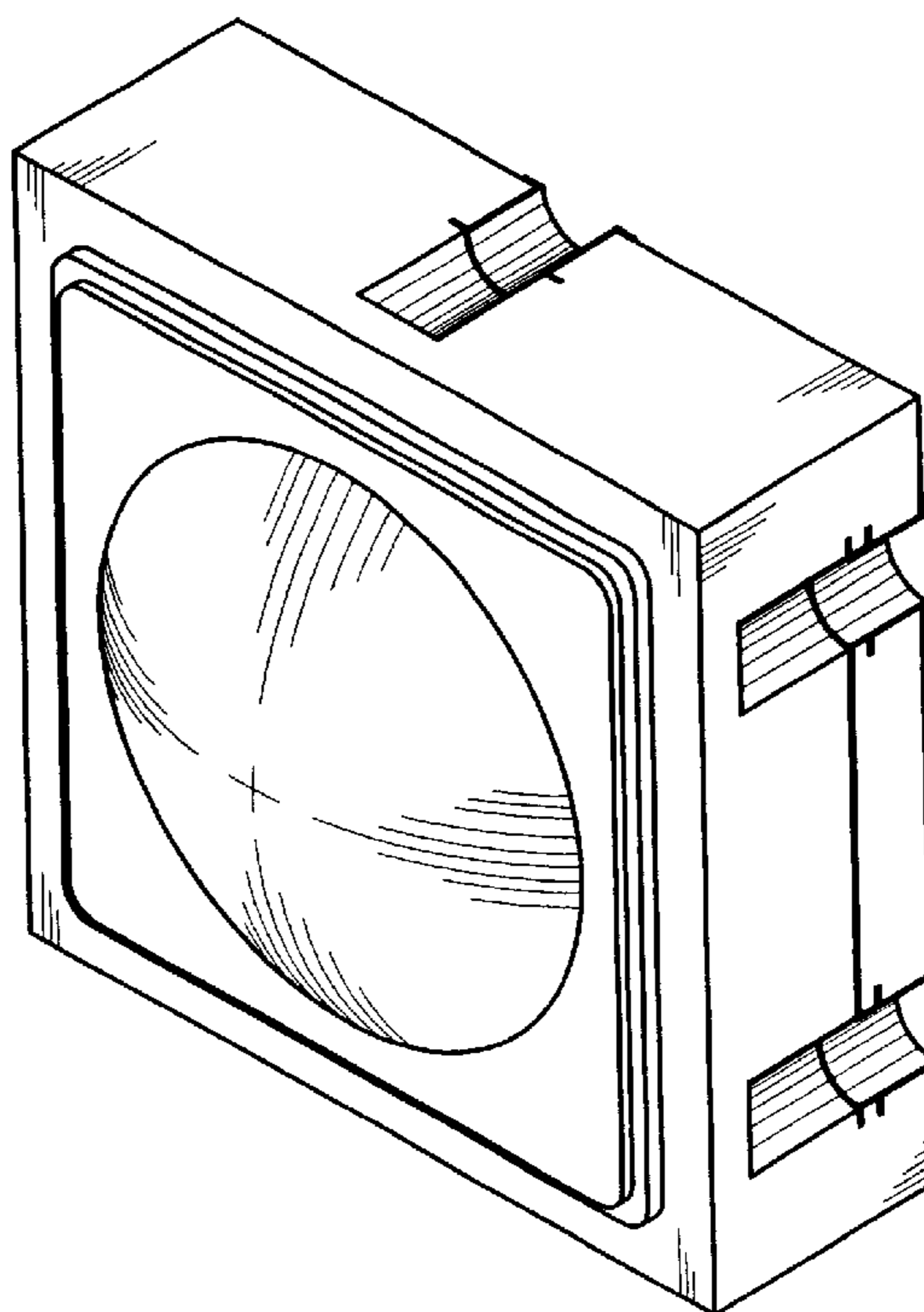
FIG. 4 is a right side elevation view thereof;

FIG. 5 is a bottom plan view thereof;

FIG. 6 is a rear elevation view thereof; and,

FIG. 7 is a perspective view thereof.

**1 Claim, 2 Drawing Sheets**



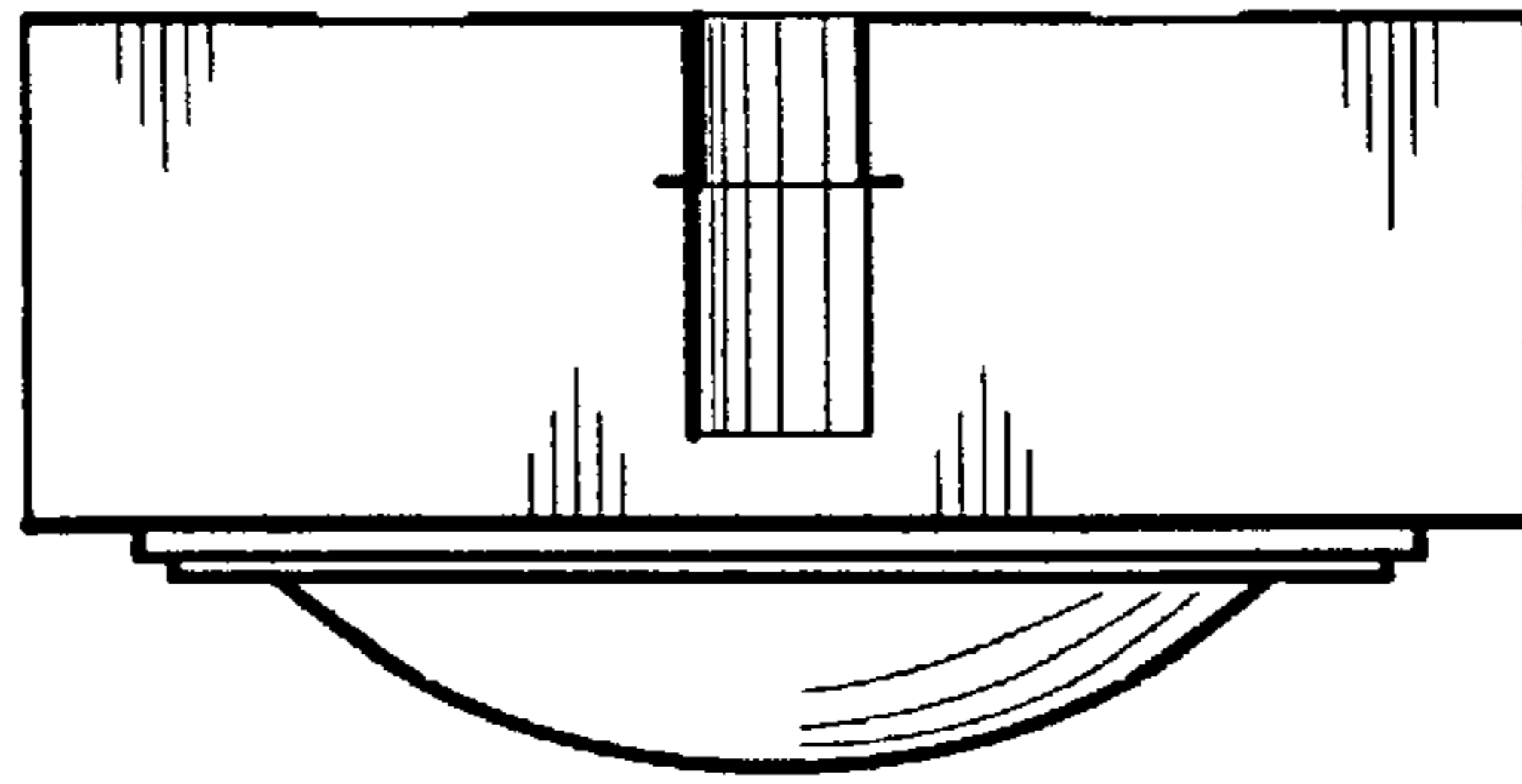


Fig. 1

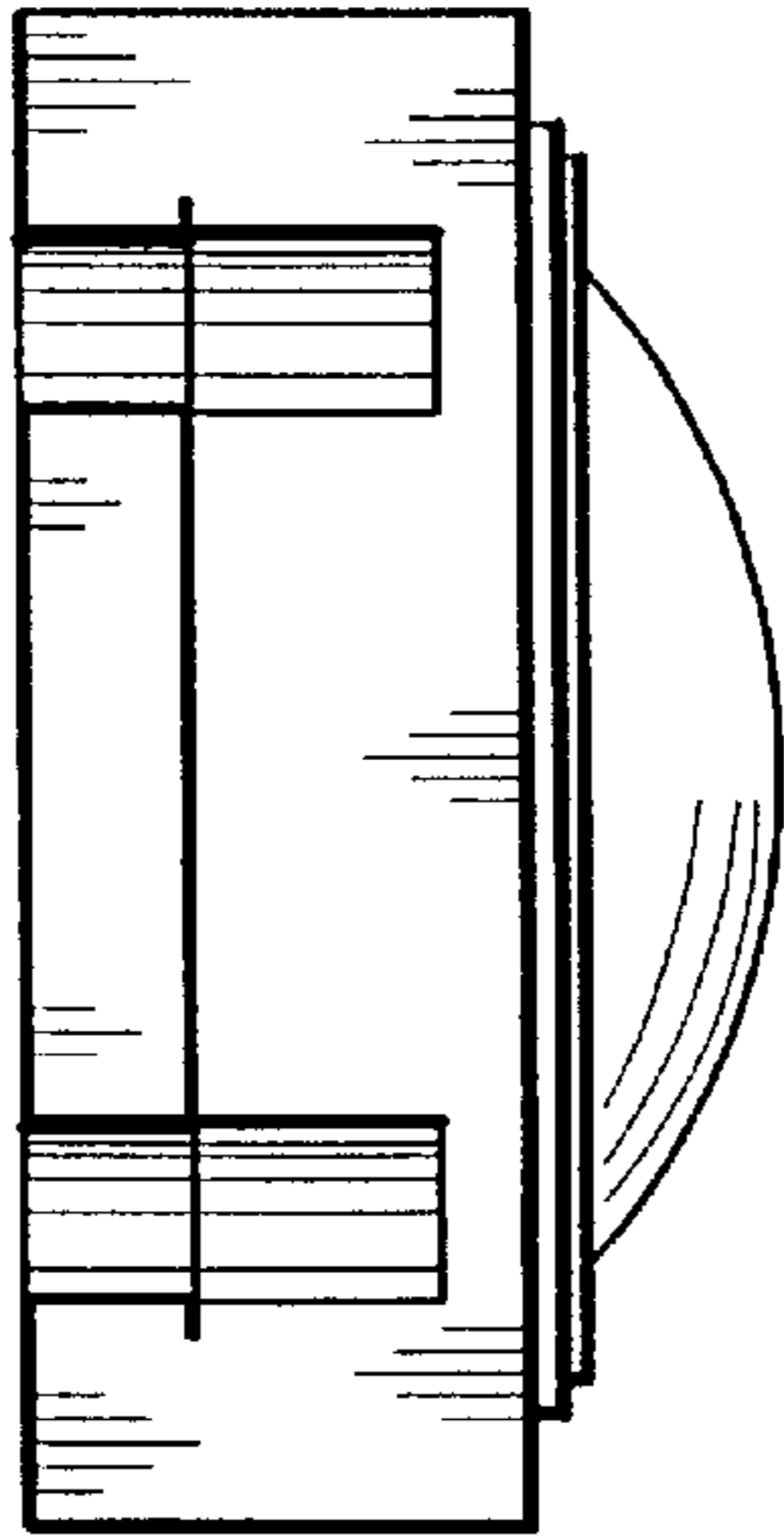


Fig. 2

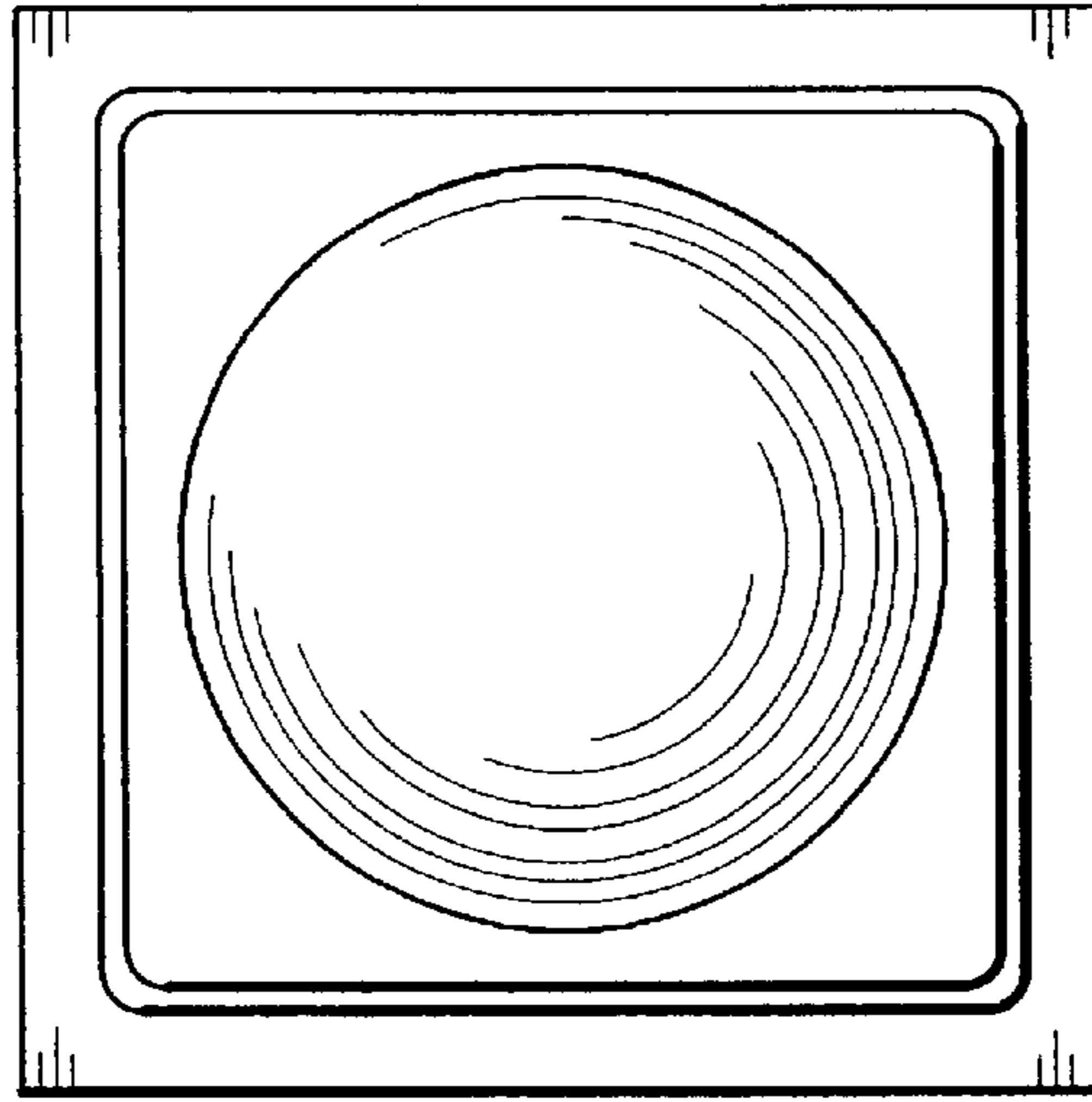


Fig. 3

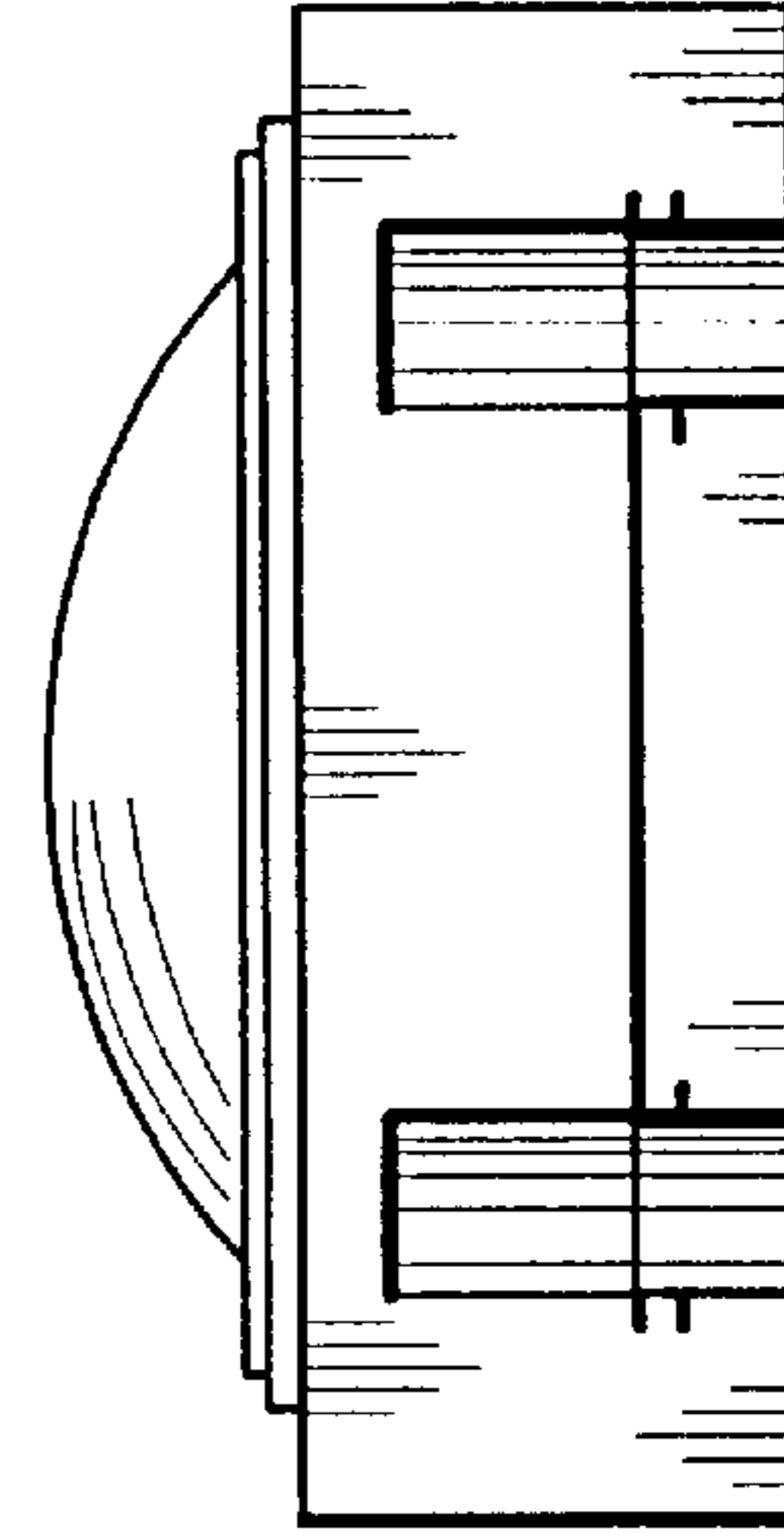


Fig. 4

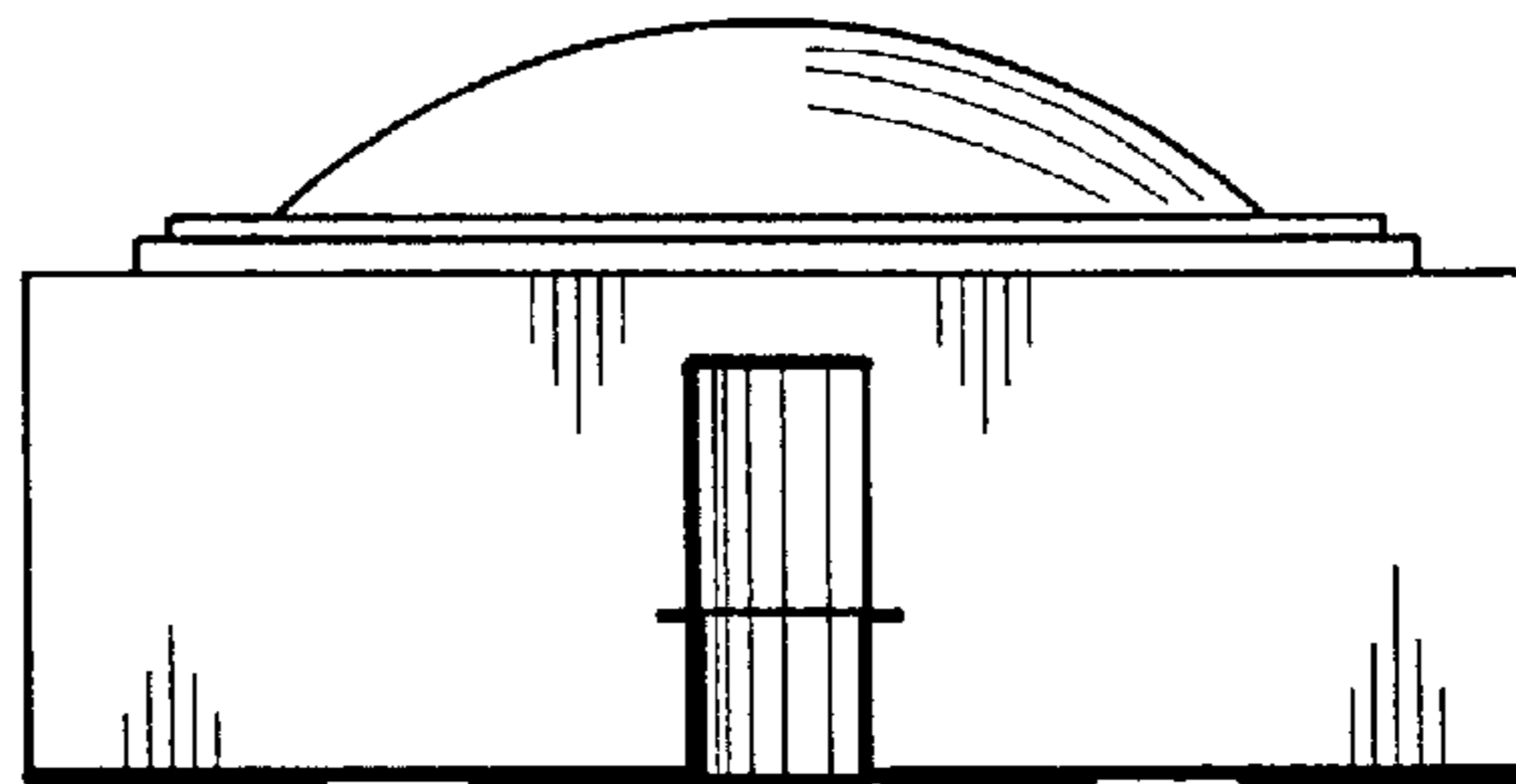


Fig. 5

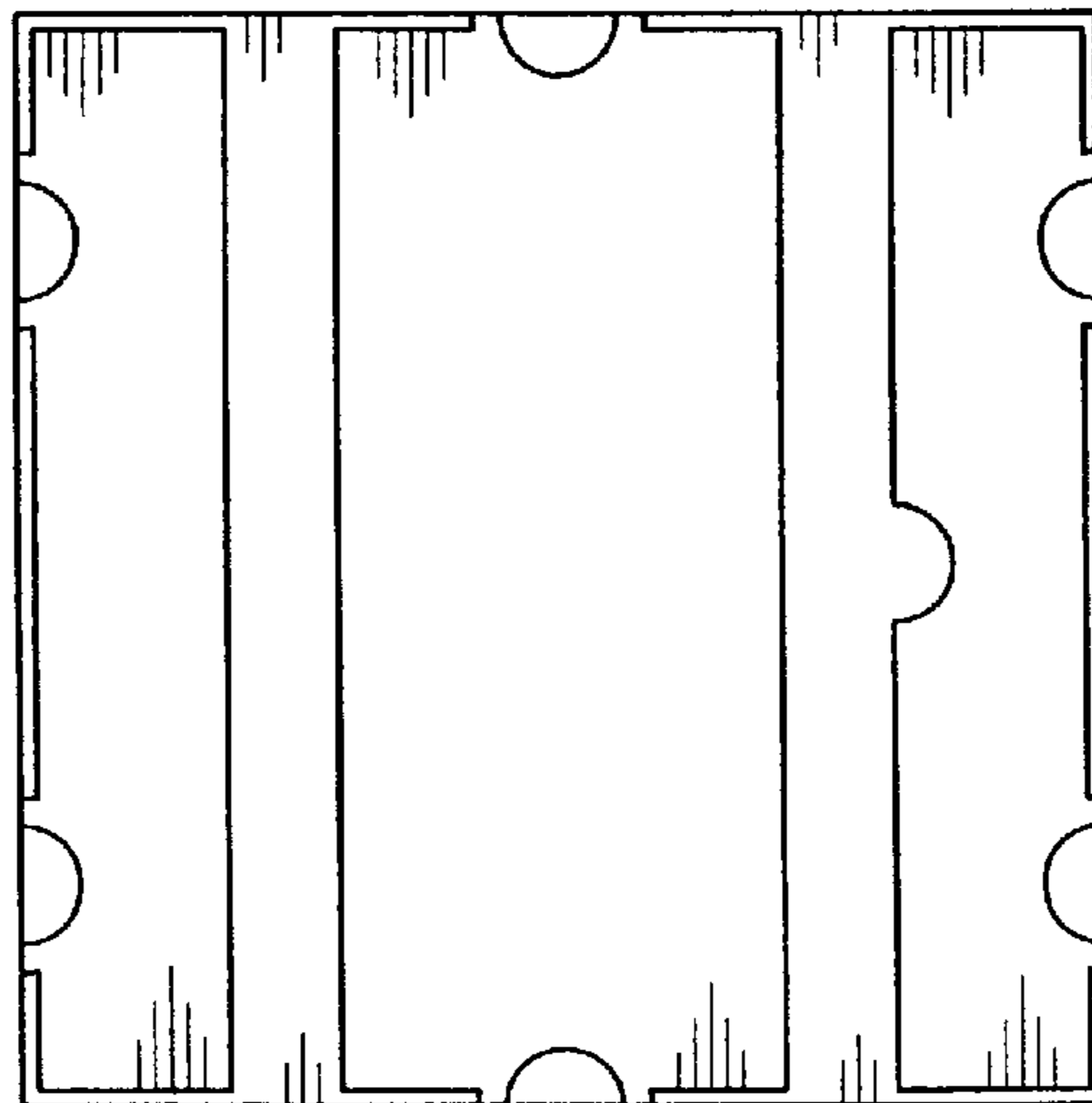


Fig. 6

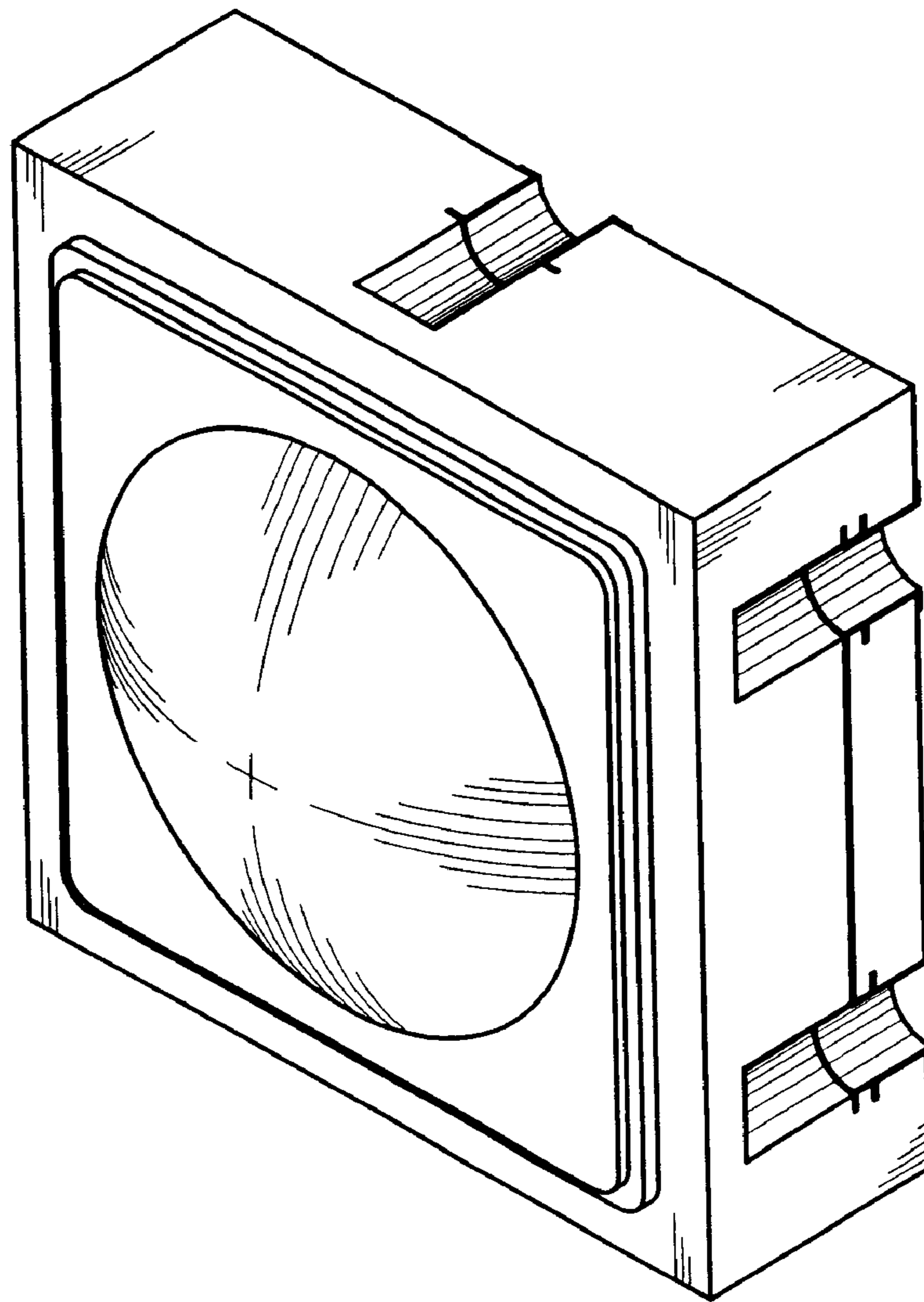


Fig. 7