

US00D517025S

(12) **United States Design Patent**
Asakawa

(10) **Patent No.:** **US D517,025 S**
(45) **Date of Patent:** **** Mar. 14, 2006**

(54) **LIGHT EMITTING DIODE**
(75) **Inventor:** **Hideo Asakawa, Anan (JP)**
(73) **Assignee:** **Nichia Corporation, Anan (JP)**
(**) **Term:** **14 Years**

D471,166 S 3/2003 Oshio et al.
D476,961 S * 7/2003 Horiuchi et al. D13/182
6,610,563 B1 * 8/2003 Waitl et al. 438/166
6,624,491 B1 * 9/2003 Waitl et al. 257/434
D487,254 S * 3/2004 Suenaga D13/182
6,707,069 B1 * 3/2004 Song et al. 257/79
D490,387 S * 5/2004 Yagi D13/182
D491,899 S * 6/2004 Yagi D13/180

(21) **Appl. No.:** **29/189,963**
(22) **Filed:** **Sep. 15, 2003**
(30) **Foreign Application Priority Data**
Mar. 17, 2003 (JP) 2003-007048

FOREIGN PATENT DOCUMENTS

JP D1065165 3/2000
JP D1065756 4/2000
JP D1065756/1 6/2000
JP D 1171218 4/2003

(51) **LOC (8) Cl.** **13-03**
(52) **U.S. Cl.** **D13/180**
(58) **Field of Classification Search** D13/180,
D13/182; 257/76, 79, 88, 89, 93-99, 434,
257/676, 678, 687, 690, 698, 787; 313/498,
313/499, 500; 361/760, 820; 362/226, 241,
362/249, 250, 307, 555, 800

* cited by examiner

Primary Examiner—Prabhakar Deshmukh
Assistant Examiner—Selina Sikder

(74) *Attorney, Agent, or Firm*—Birch, Stewart, Kolasch & Birch, LLP

See application file for complete search history.

(57) **CLAIM**

The ornamental design for a light emitting diode, as shown and described.

(56) **References Cited**

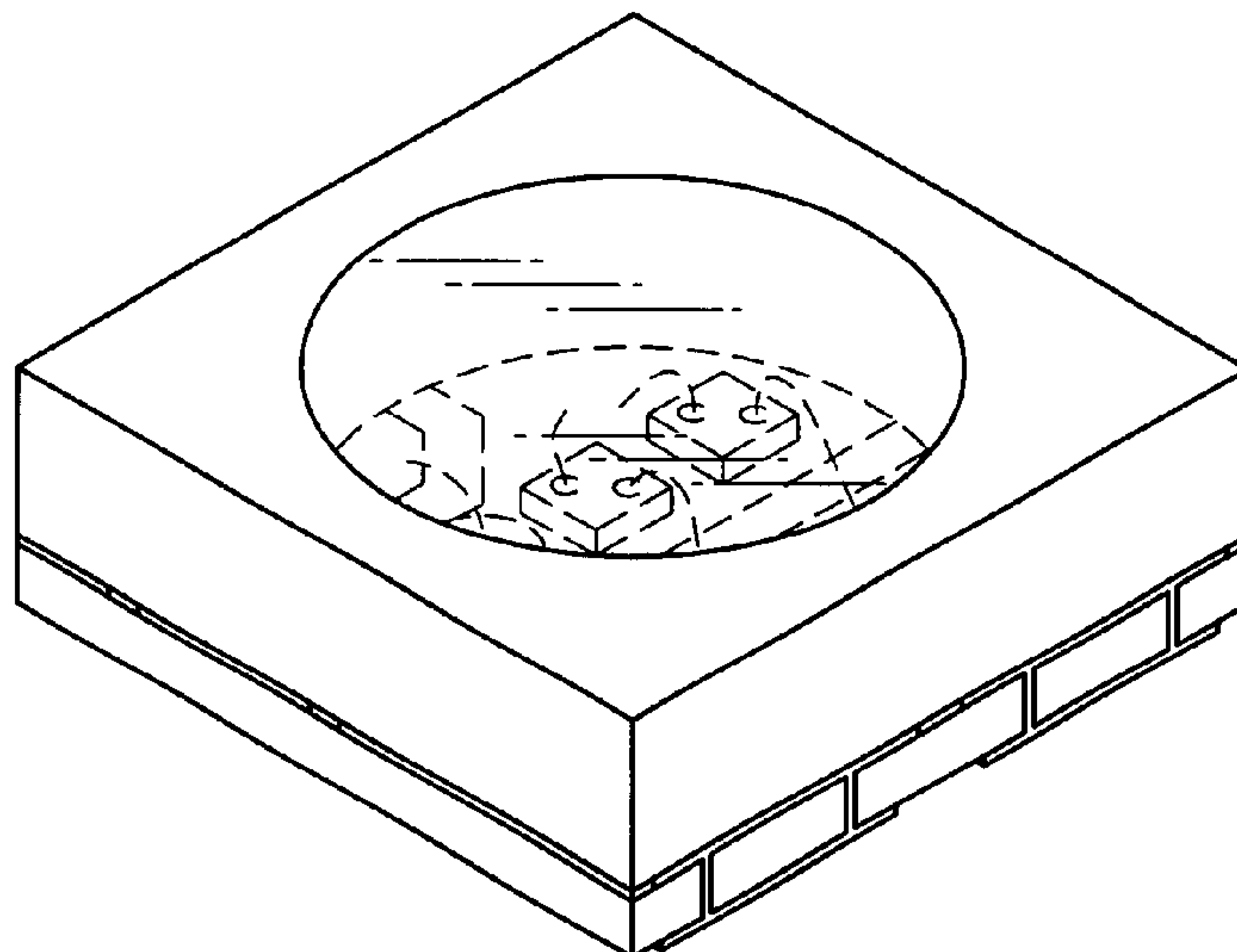
U.S. PATENT DOCUMENTS

D277,955 S 3/1985 Takahashi
D278,048 S 3/1985 Takahashi
D278,049 S 3/1985 Takahashi et al.
D280,812 S 10/1985 Takahashi
5,942,770 A * 8/1999 Ishinaga et al. 257/89
D432,095 S 10/2000 Seeger et al.
D437,798 S 2/2001 Kiba et al.
D439,351 S 3/2001 Kiba et al.
D453,745 S 2/2002 Suenaga
6,396,082 B1 * 5/2002 Fukasawa et al. 257/79
D462,334 S 9/2002 Fukasawa et al.
6,483,623 B1 * 11/2002 Maruyama 398/182
6,495,861 B1 * 12/2002 Ishinaga 257/99

DESCRIPTION

FIG. 1 is a front, left perspective view of the light emitting diode showing my new design;
FIG. 2 is a front view thereof;
FIG. 3 is a rear view thereof;
FIG. 4 is a bottom view thereof;
FIG. 5 is a top plan view thereof; and,
FIG. 6 is a left side view thereof, the right side view being a mirror image thereof.
The broken line showing of the environment is for illustrative purpose only and forms no part of the claimed design.

1 Claim, 1 Drawing Sheet



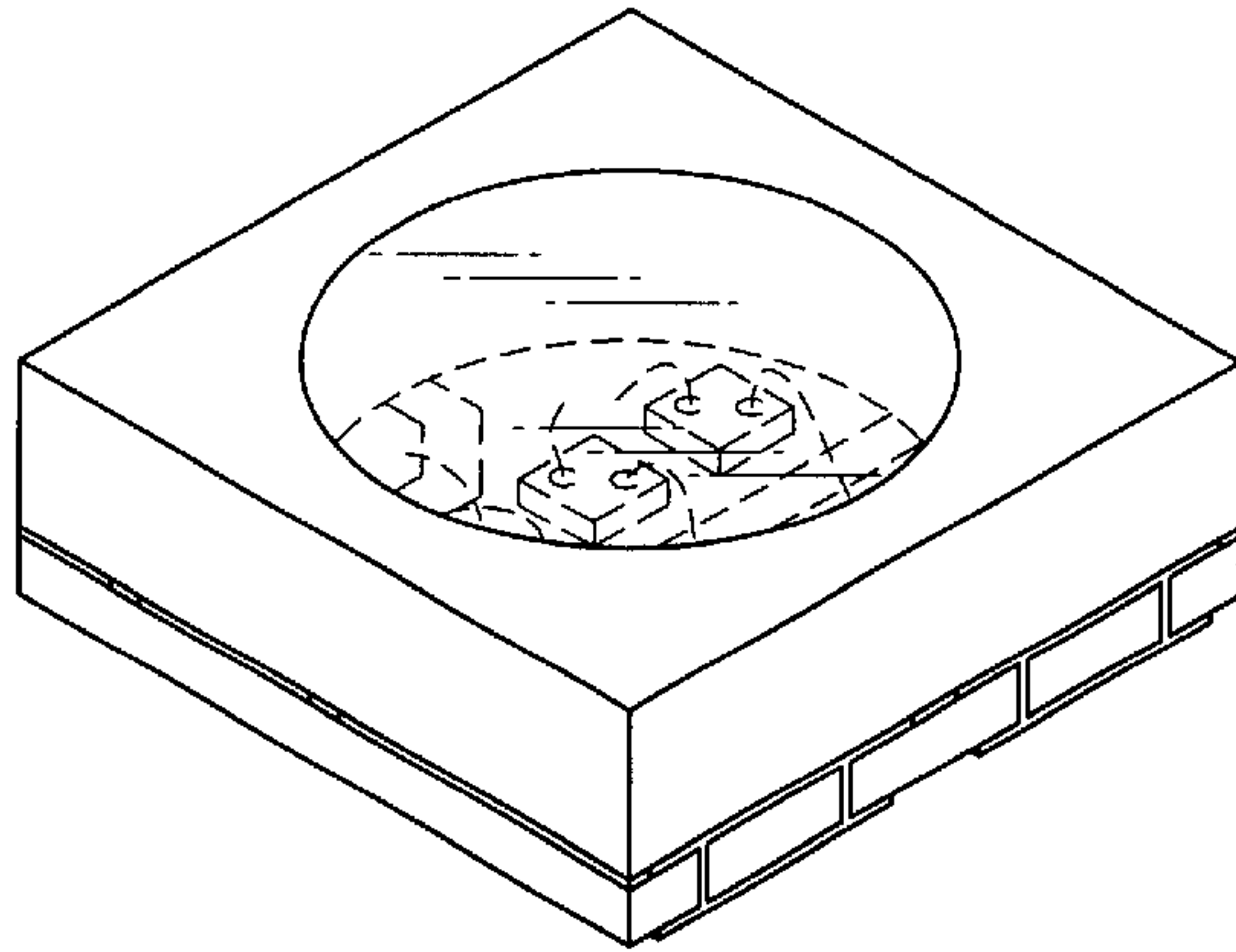


FIG. 1

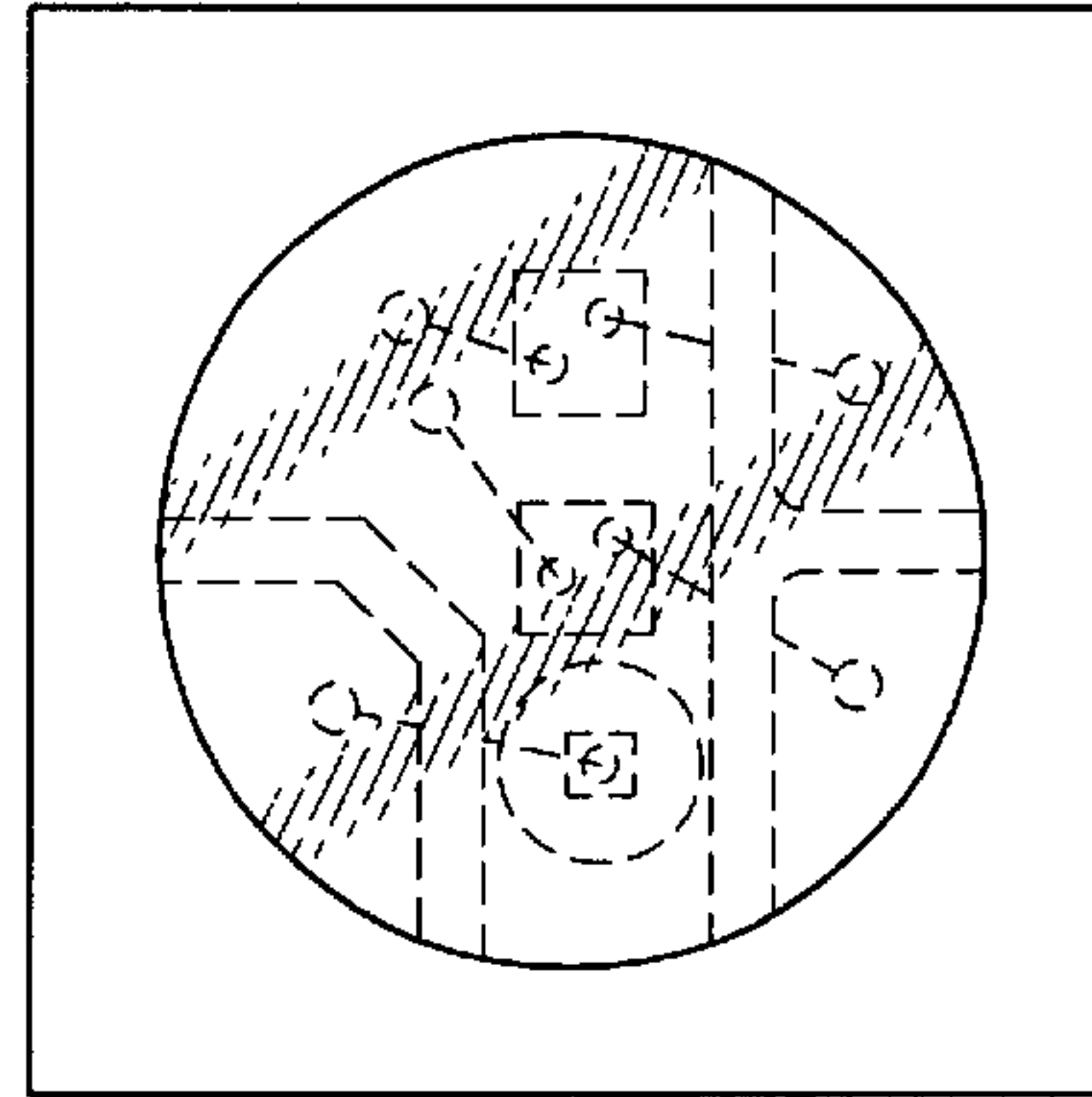


FIG. 5

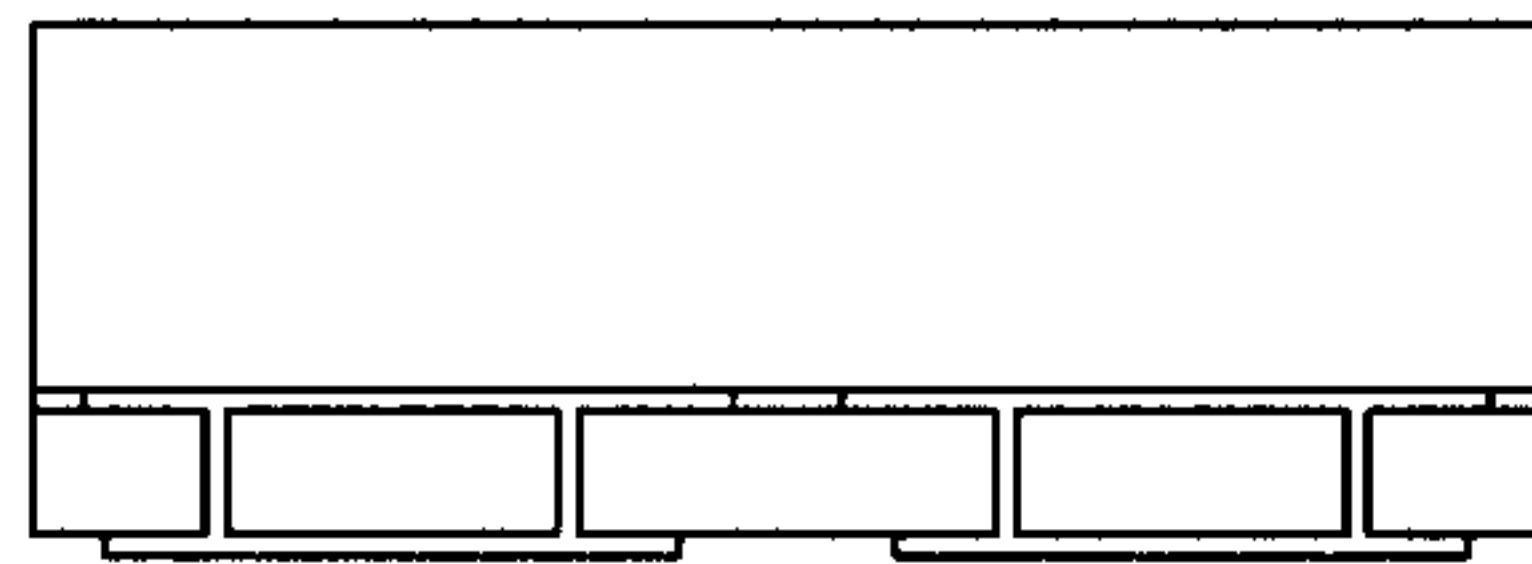


FIG. 6

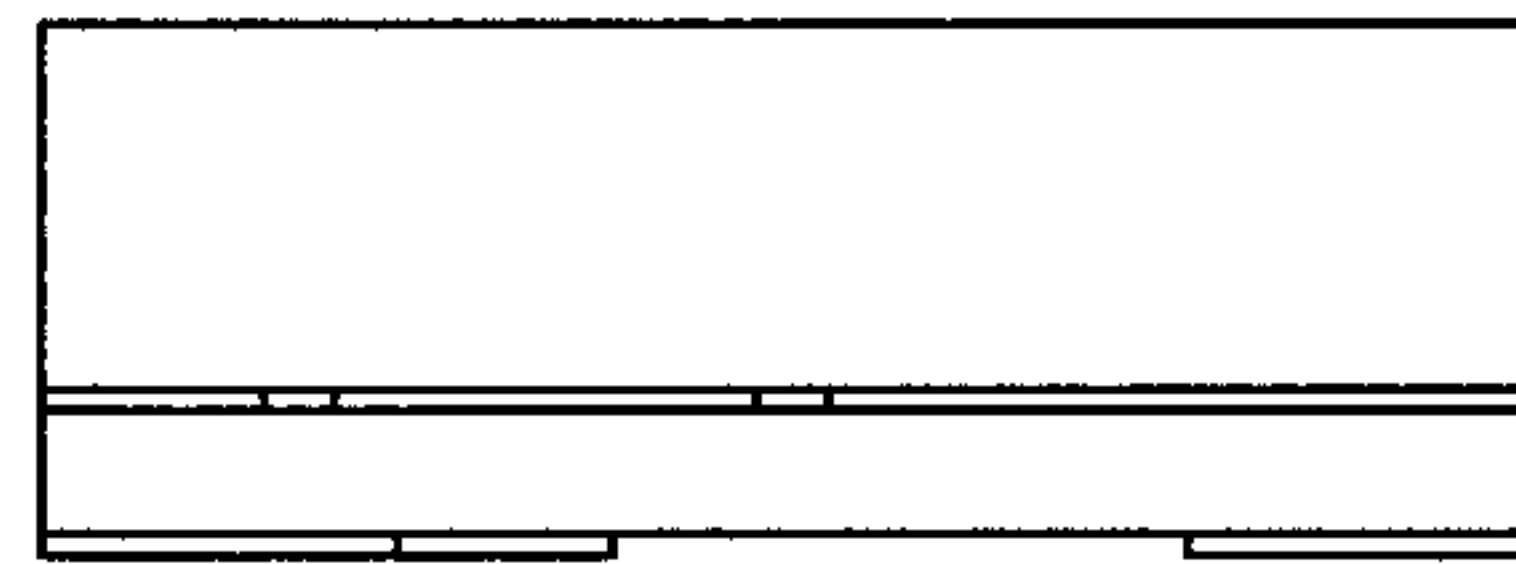


FIG. 2

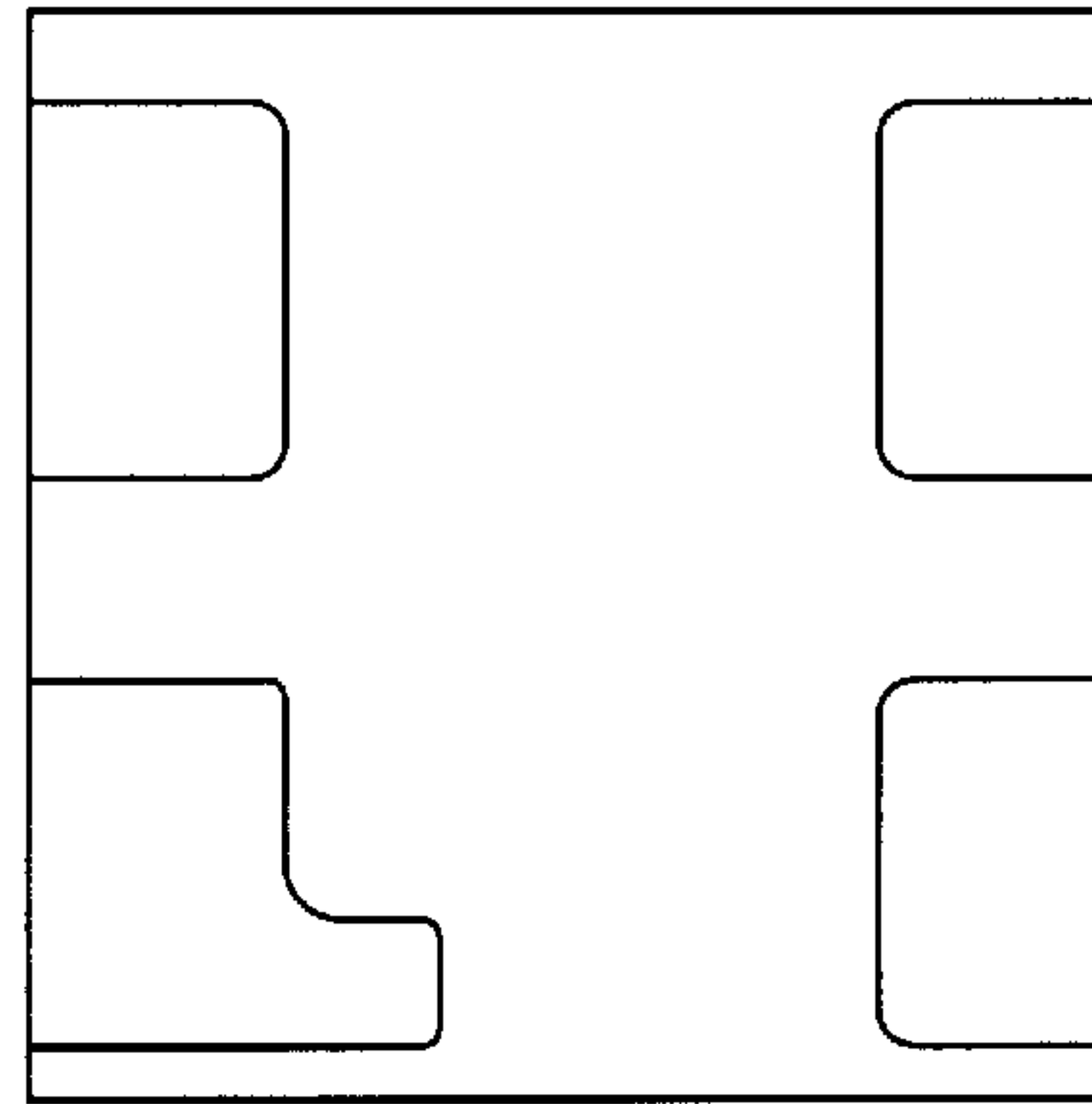


FIG. 4

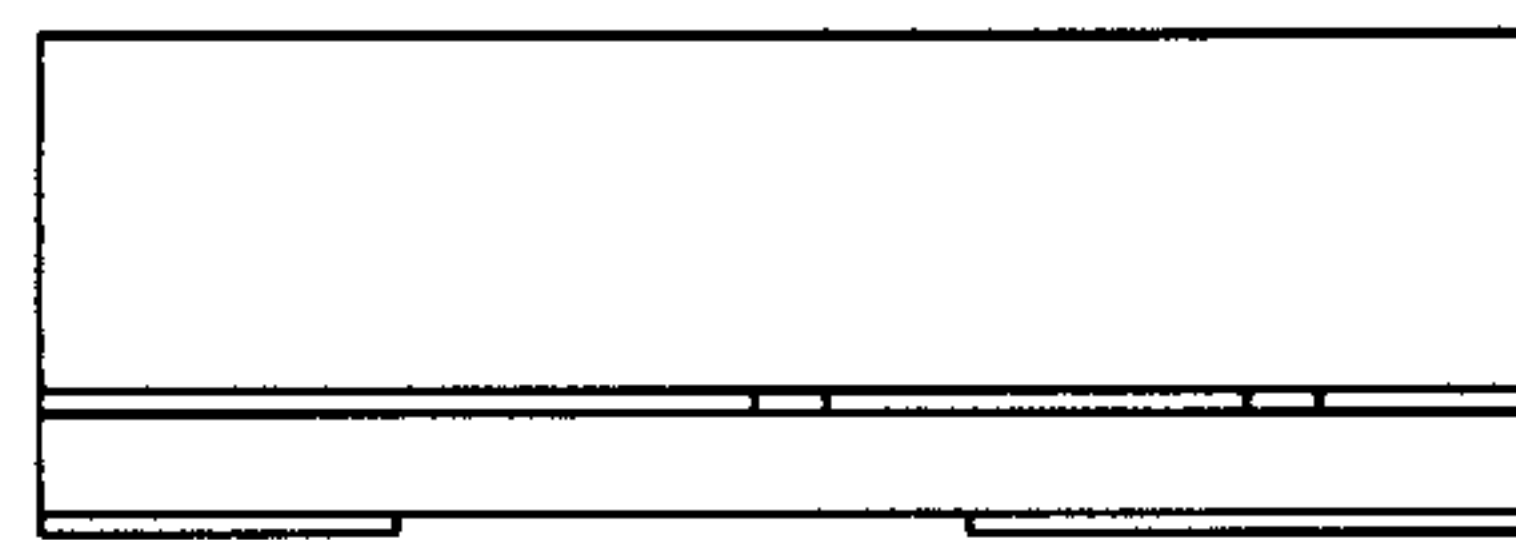


FIG. 3