



US00D517019S

(12) **United States Design Patent**
Yao et al.

(10) **Patent No.:** **US D517,019 S**
(45) **Date of Patent:** **** Mar. 14, 2006**

- (54) **ELECTRICAL CONTACT**
- (75) Inventors: **Xianggui Yao**, Kunsan (CN); **Fujin Peng**, Kunsan (CN); **Nick Lin**, Tu-Chen (TW)
- (73) Assignee: **Hon Hai Precision Ind. Co., Ltd.**, Taipei Hsien (TW)
- (**) Term: **14 Years**
- (21) Appl. No.: **29/214,608**
- (22) Filed: **Oct. 5, 2004**

5,766,045 A	*	6/1998	Sawaki et al.	439/857
D402,571 S	*	12/1998	Pasquarette et al.	D10/50
D409,143 S	*	5/1999	Yoshiura	D13/133
D409,145 S	*	5/1999	Yoshiura	D13/133
D410,226 S	*	5/1999	Yoshiura	D13/133
6,086,405 A	*	7/2000	Liebich	439/397
6,280,230 B1	*	8/2001	Takase et al.	439/397
D453,739 S	*	2/2002	Lin	D13/148
6,402,571 B1	*	6/2002	Muller et al.	439/745
D464,322 S	*	10/2002	Hiramoto et al.	D13/154
D464,323 S	*	10/2002	Harasawa et al.	D13/154
D481,966 S	*	11/2003	Journe	D10/126
D486,790 S	*	2/2004	Kondas	D13/133
D494,545 S	*	8/2004	Kuroda et al.	D13/154

- (30) **Foreign Application Priority Data**
Jun. 4, 2004 (TW) 93303316
- (51) **LOC (8) Cl.** **13-03**
- (52) **U.S. Cl.** **D13/154**
- (58) **Field of Classification Search** D13/133,
D13/146-149, 154; 439/215, 281, 342, 630,
439/350, 397, 401, 404, 745, 748, 834, 845,
439/849-852, 861-862
See application file for complete search history.

* cited by examiner

Primary Examiner—Holly Baynham
Assistant Examiner—Cynthia M. Chin
(74) *Attorney, Agent, or Firm*—Wei Te Chung

(57) **CLAIM**

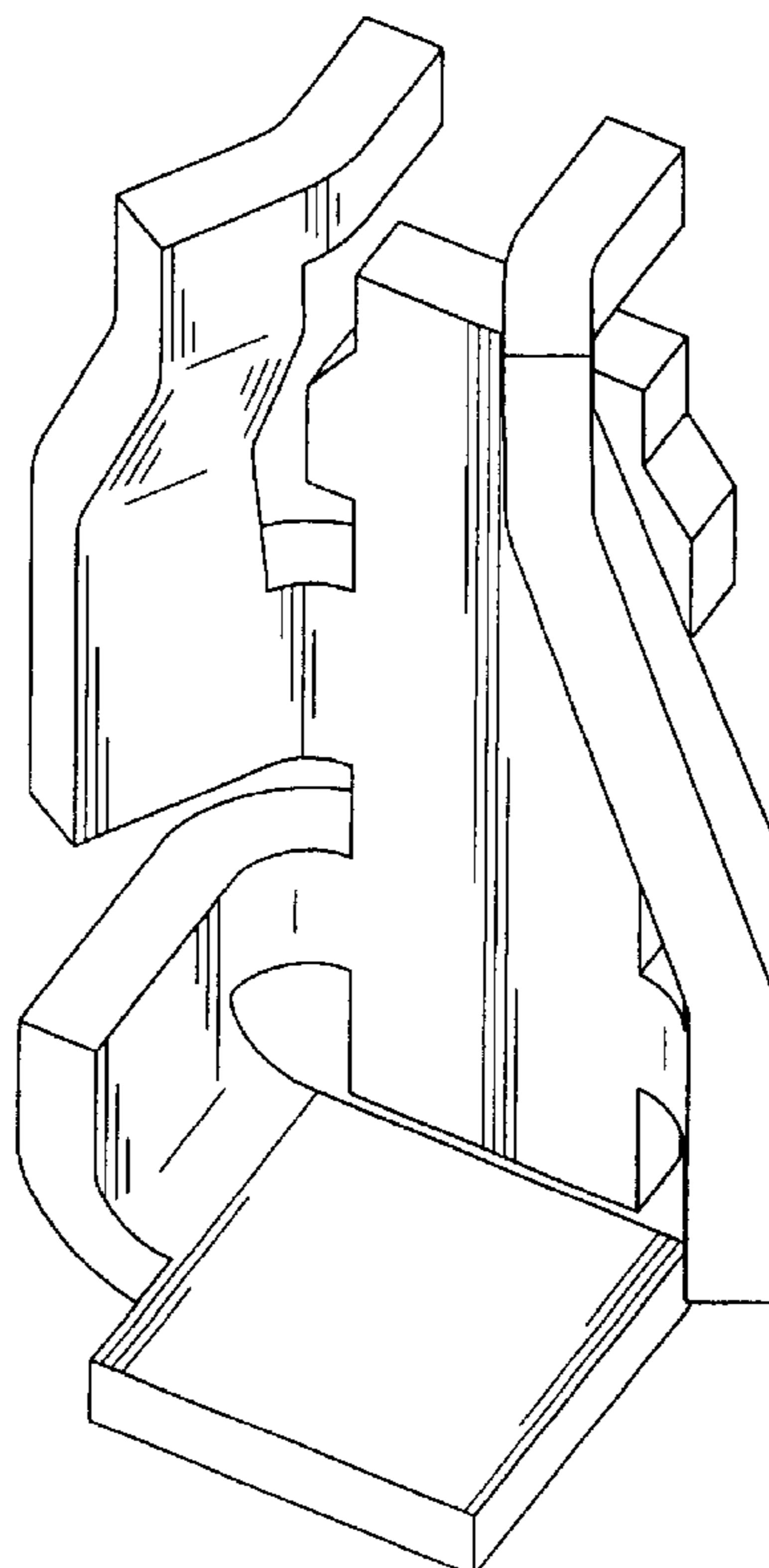
The ornamental design for an electrical contact, as shown.

DESCRIPTION

FIG. 1 is a front, top and right side perspective view of an electrical contact showing our new design; FIG. 2 is a front elevational view thereof; FIG. 3 is a rear elevational view thereof; FIG. 4 is a left side elevational view thereof; FIG. 5 is a right side elevational view thereof; FIG. 6 is a top plan view thereof; and, FIG. 7 is a bottom plan view thereof.

1 Claim, 7 Drawing Sheets

- (56) **References Cited**
U.S. PATENT DOCUMENTS
3,012,221 A * 12/1961 Deakin 439/830
D207,488 S * 4/1967 Reynolds D13/149
D232,557 S * 8/1974 Michel et al. D13/154
4,941,842 A * 7/1990 Nakashima et al. 439/399
D337,991 S * 8/1993 Linton et al. D13/133



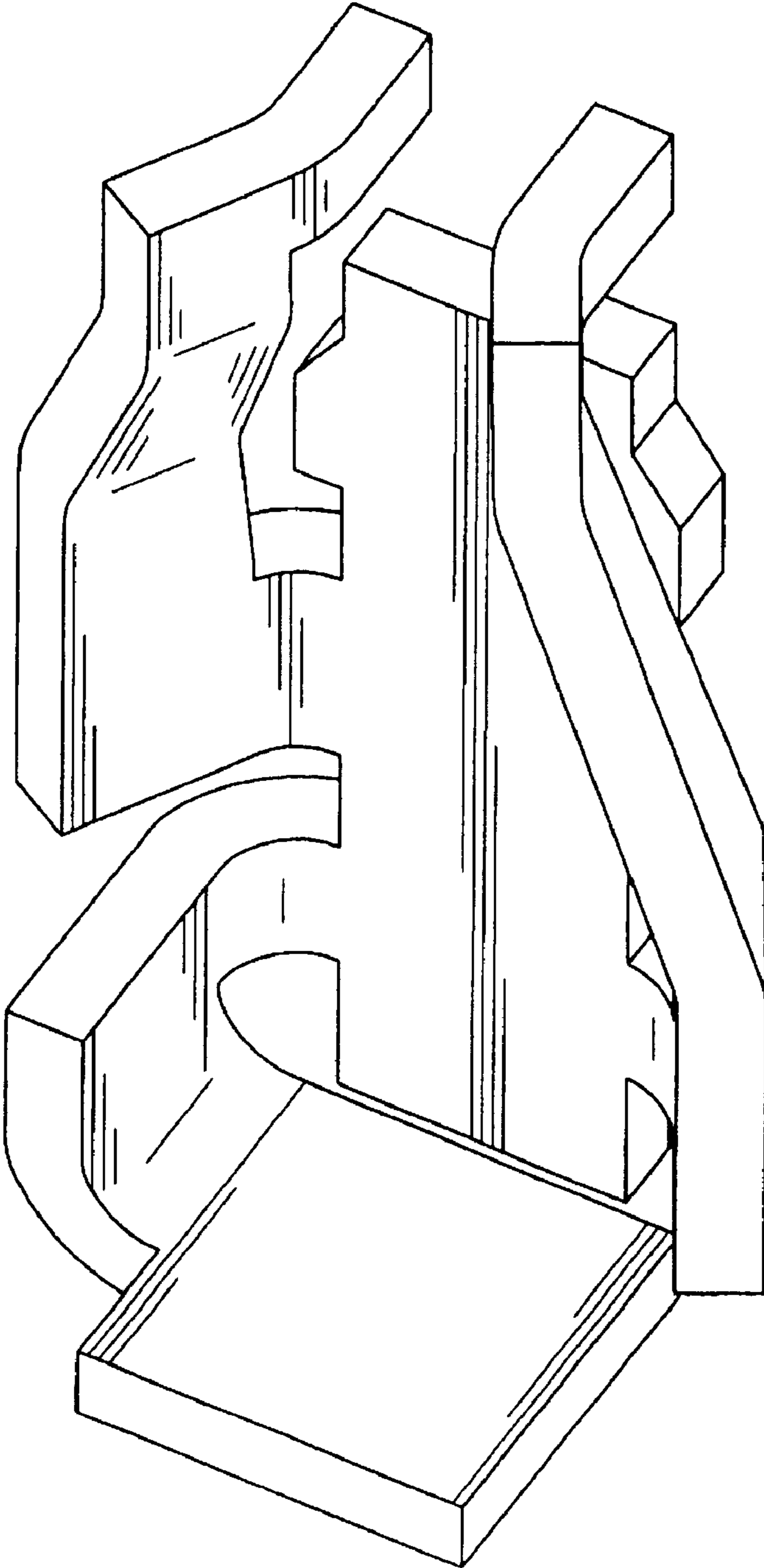


FIG. 1

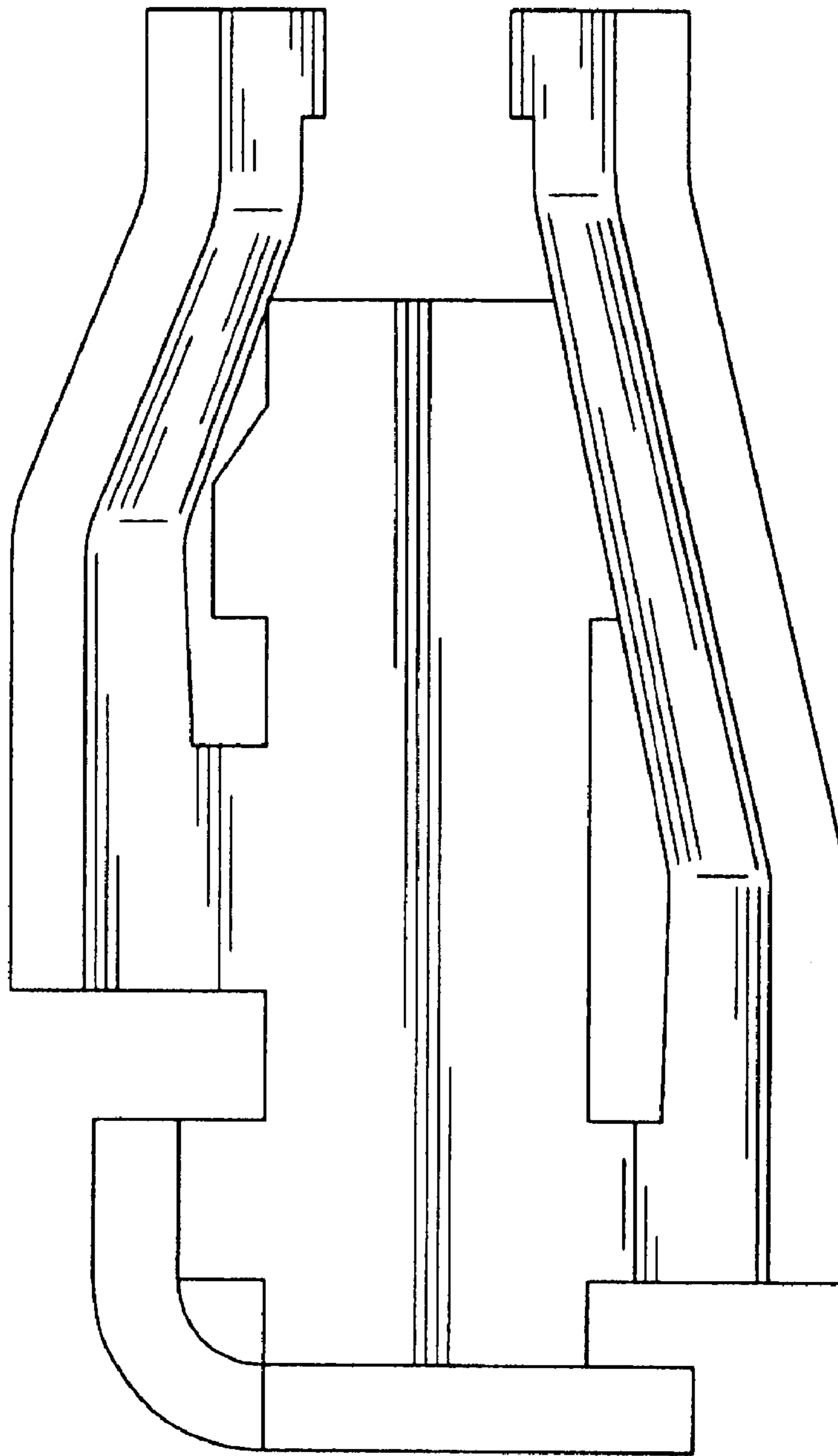


FIG. 2

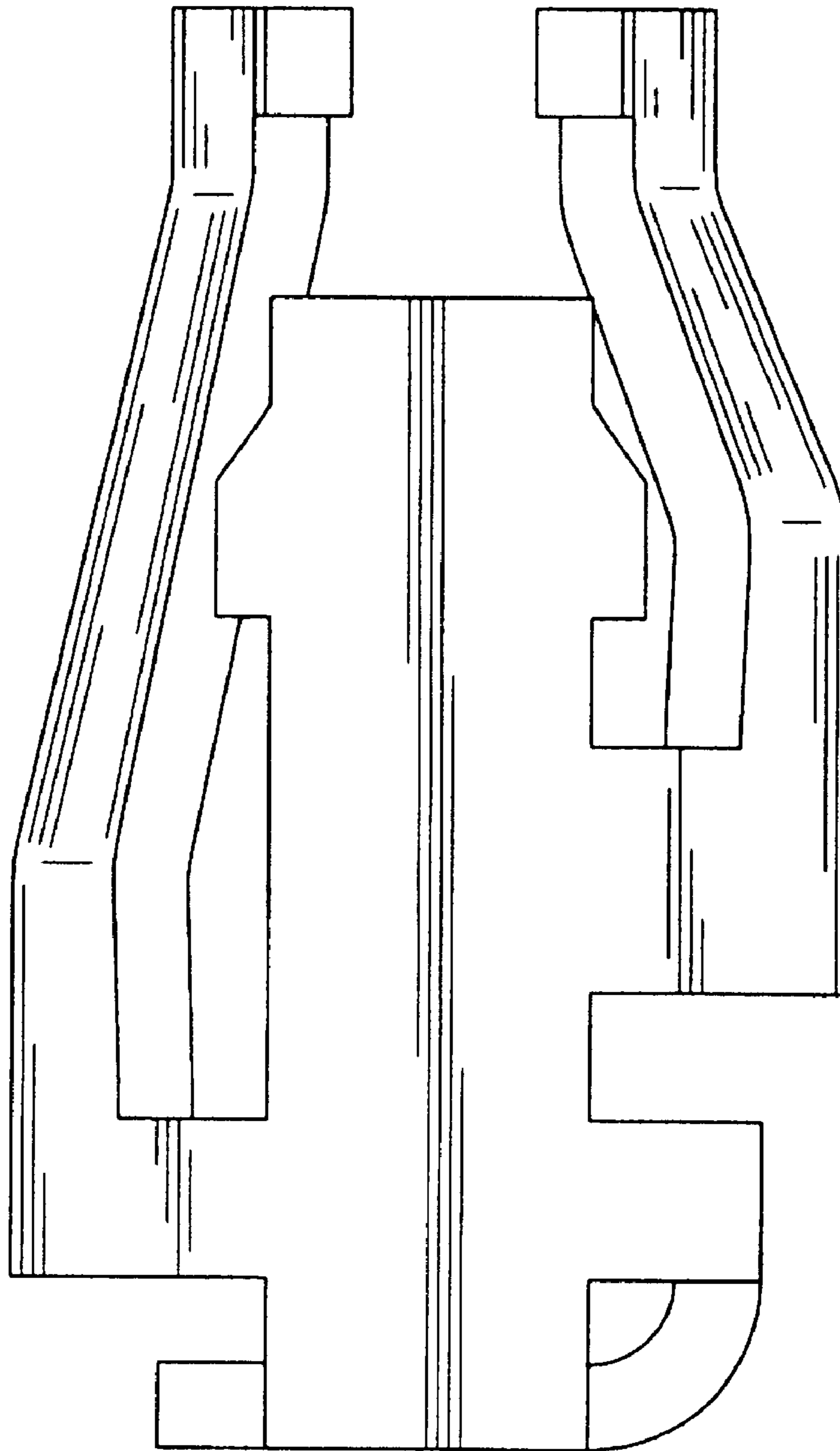


FIG. 3

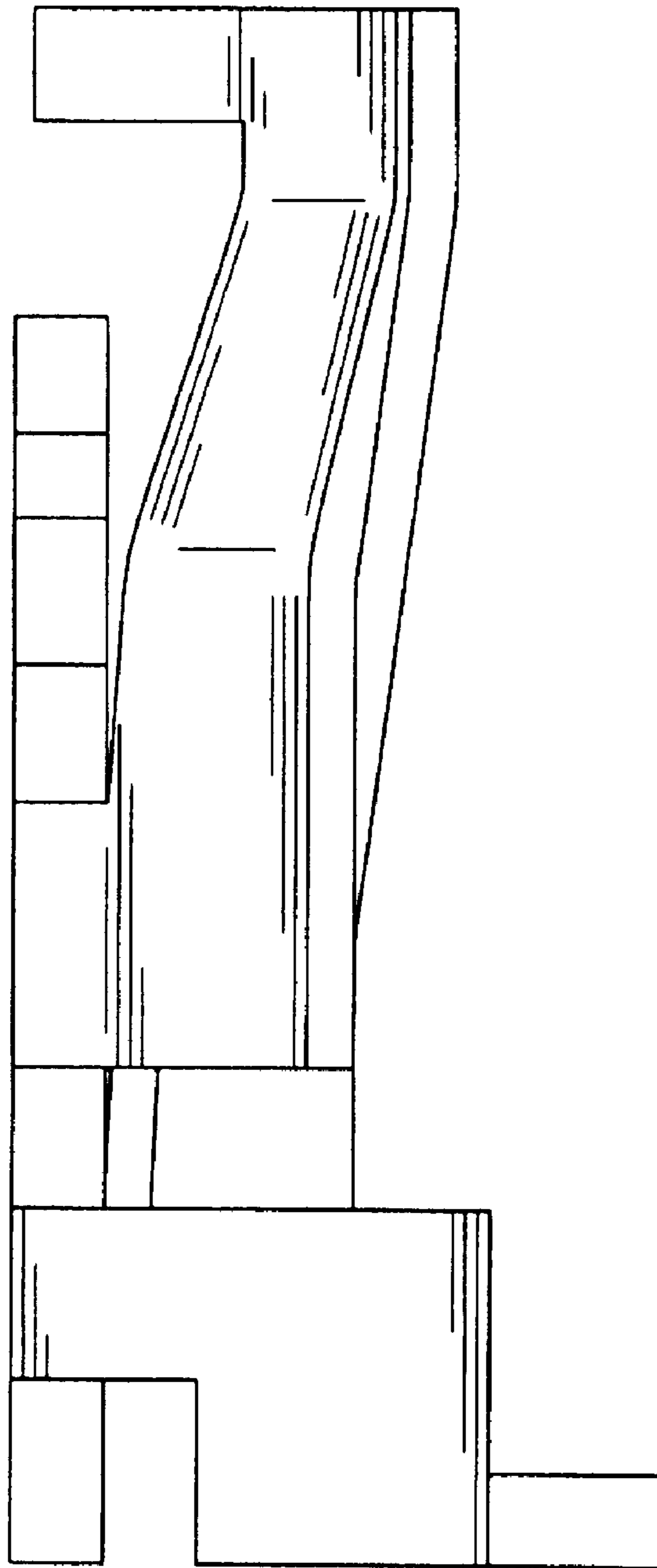


FIG. 4

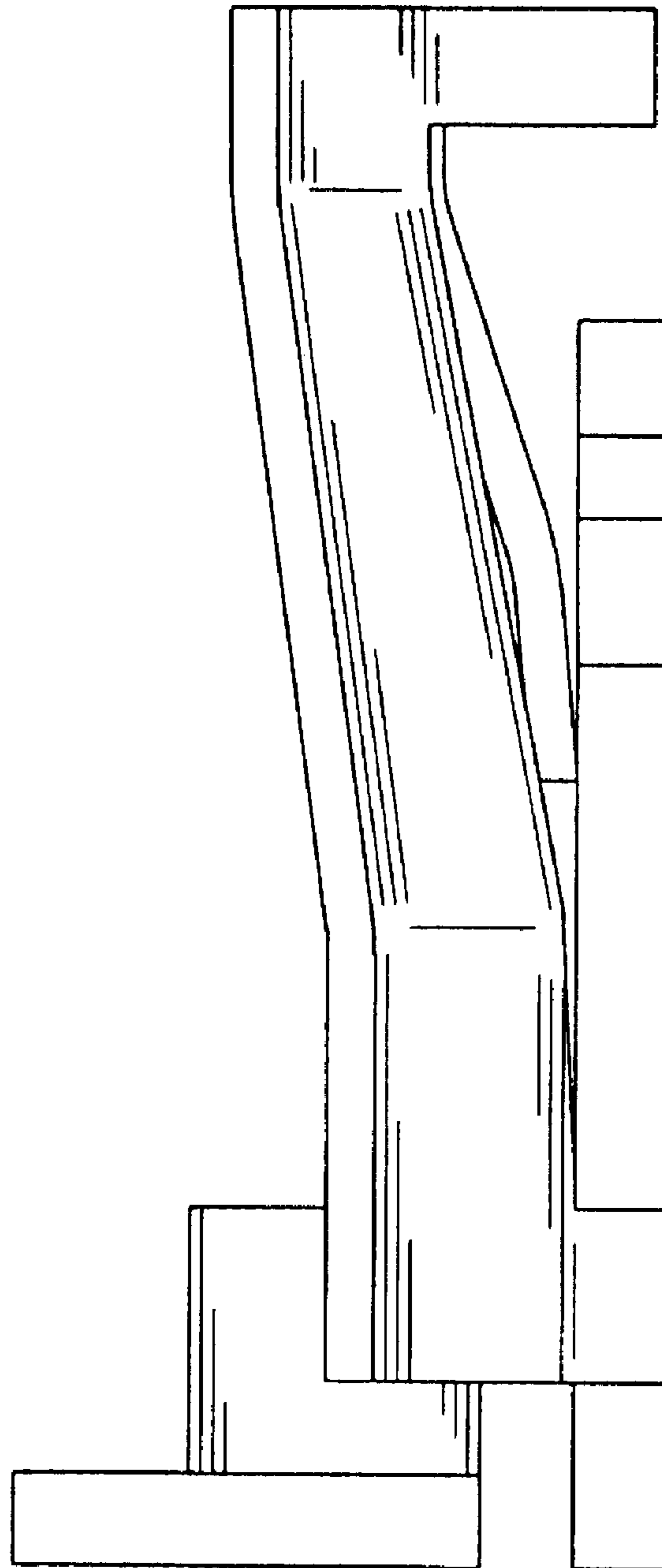


FIG. 5

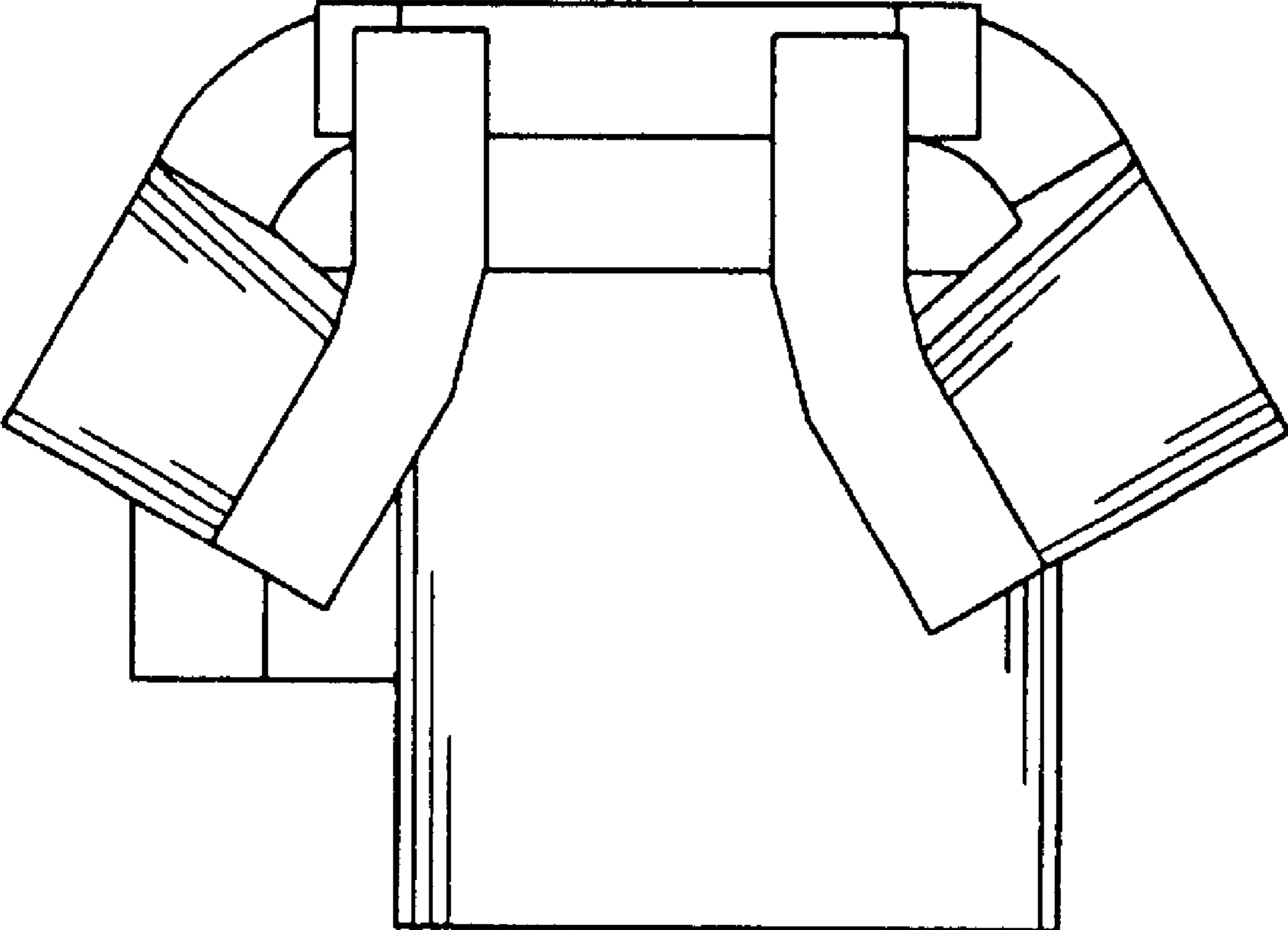


FIG. 6

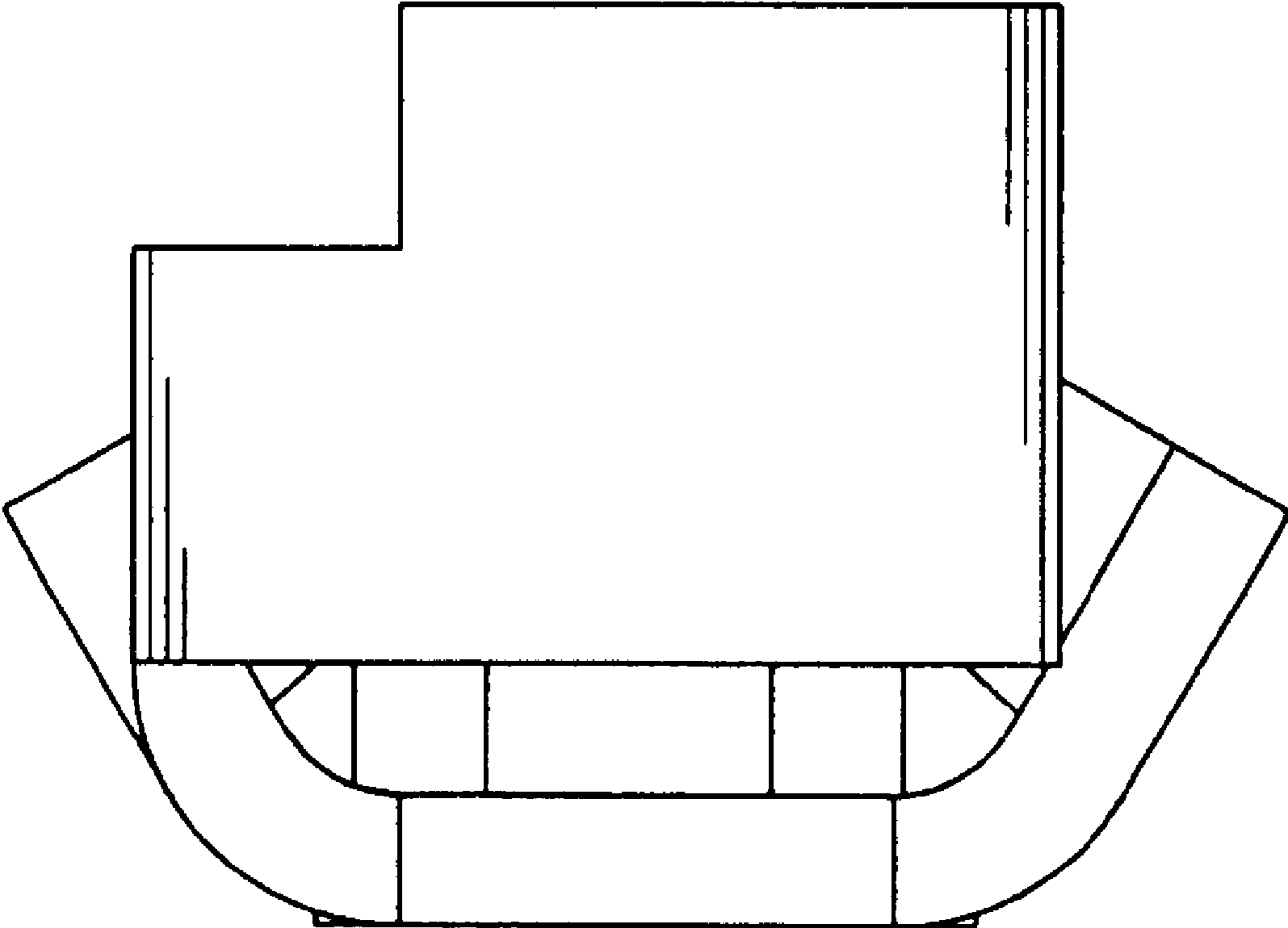


FIG. 7