



US00D517018S

(12) **United States Design Patent** (10) **Patent No.:** **US D517,018 S**  
**Montena** (45) **Date of Patent:** **\*\* \*Mar. 14, 2006**

(54) **COAXIAL CONNECTOR**  
(75) Inventor: **Noah Montena**, Syracuse, NY (US)  
(73) Assignee: **John Mezzalingua Associates, Inc.**,  
East Syracuse, NY (US)  
(\* ) Notice: This patent is subject to a terminal disclaimer.  
(\*\* ) Term: **14 Years**  
(21) Appl. No.: **29/207,833**  
(22) Filed: **Jun. 18, 2004**  
(51) **LOC (8) Cl.** ..... **13-03**  
(52) **U.S. Cl.** ..... **D13/151**  
(58) **Field of Classification Search** ..... D13/133,  
D13/149, 151, 154, 184, 199; 439/13, 20,  
439/22, 135, 246, 306, 480, 476.1, 578, 583-585,  
439/805  
See application file for complete search history.

5,607,325 A 3/1997 Toma  
5,975,951 A 11/1999 Burris et al.  
6,032,358 A 3/2000 Wild  
6,146,197 A 11/2000 Holliday et al.  
6,153,830 A 11/2000 Montena  
D436,076 S \* 1/2001 Montena ..... D13/133  
D437,826 S \* 2/2001 Montena ..... D13/133  
D440,539 S \* 4/2001 Montena ..... D13/133  
D440,939 S \* 4/2001 Montena ..... D13/133  
D460,739 S \* 7/2002 Fox ..... D13/154  
D468,696 S \* 1/2003 Montena ..... D13/151  
D475,977 S \* 6/2003 Montena ..... D13/151  
D503,685 S \* 4/2005 Montena ..... D13/154  
D504,113 S \* 4/2005 Montena ..... D13/154  
D504,114 S \* 4/2005 Montena ..... D13/154

\* cited by examiner

*Primary Examiner*—Stella Reid  
*Assistant Examiner*—Daniel Bui  
(74) *Attorney, Agent, or Firm*—Wall Marjama & Bilinski  
LLP

(57) **CLAIM**

The ornamental design for a coaxial connector, as shown and described.

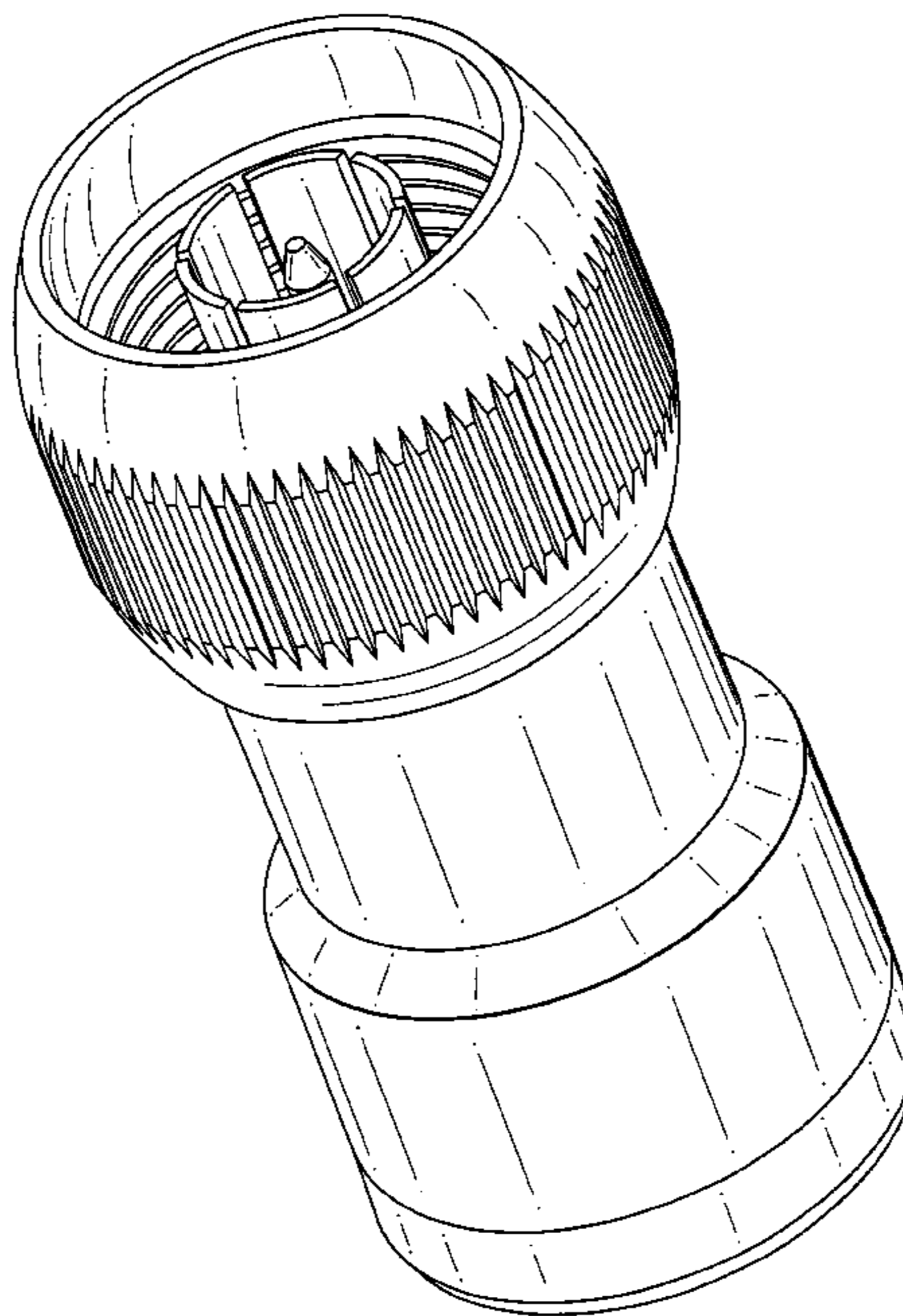
**DESCRIPTION**

FIG. 1 is a perspective view of a coaxial connector in a closed position, showing my new design; FIG. 2 is a front elevation view thereof, the rear, left side and right side elevation views are mirror images thereto; FIG. 3 is a top plan view thereof; and, FIG. 4 is a bottom plan view thereof. The broken lines in the drawings depict environmental structure, are for illustrative purposes only and form no part of the claimed design.

**1 Claim, 3 Drawing Sheets**

(56) **References Cited**  
U.S. PATENT DOCUMENTS

3,184,706 A 5/1965 Atkins  
3,846,738 A 11/1974 Nepovim  
4,053,200 A 10/1977 Pugner  
4,059,330 A 11/1977 Shirey  
4,126,372 A 11/1978 Hashimoto et al.  
4,583,811 A 4/1986 McMills  
4,650,228 A 3/1987 McMills et al.  
4,668,043 A 5/1987 Saba et al.  
4,902,246 A 2/1990 Samchisen  
5,024,606 A 6/1991 Ming Hwa  
5,073,129 A 12/1991 Szegda  
5,470,257 A 11/1995 Szegda  
5,564,942 A 10/1996 Lee



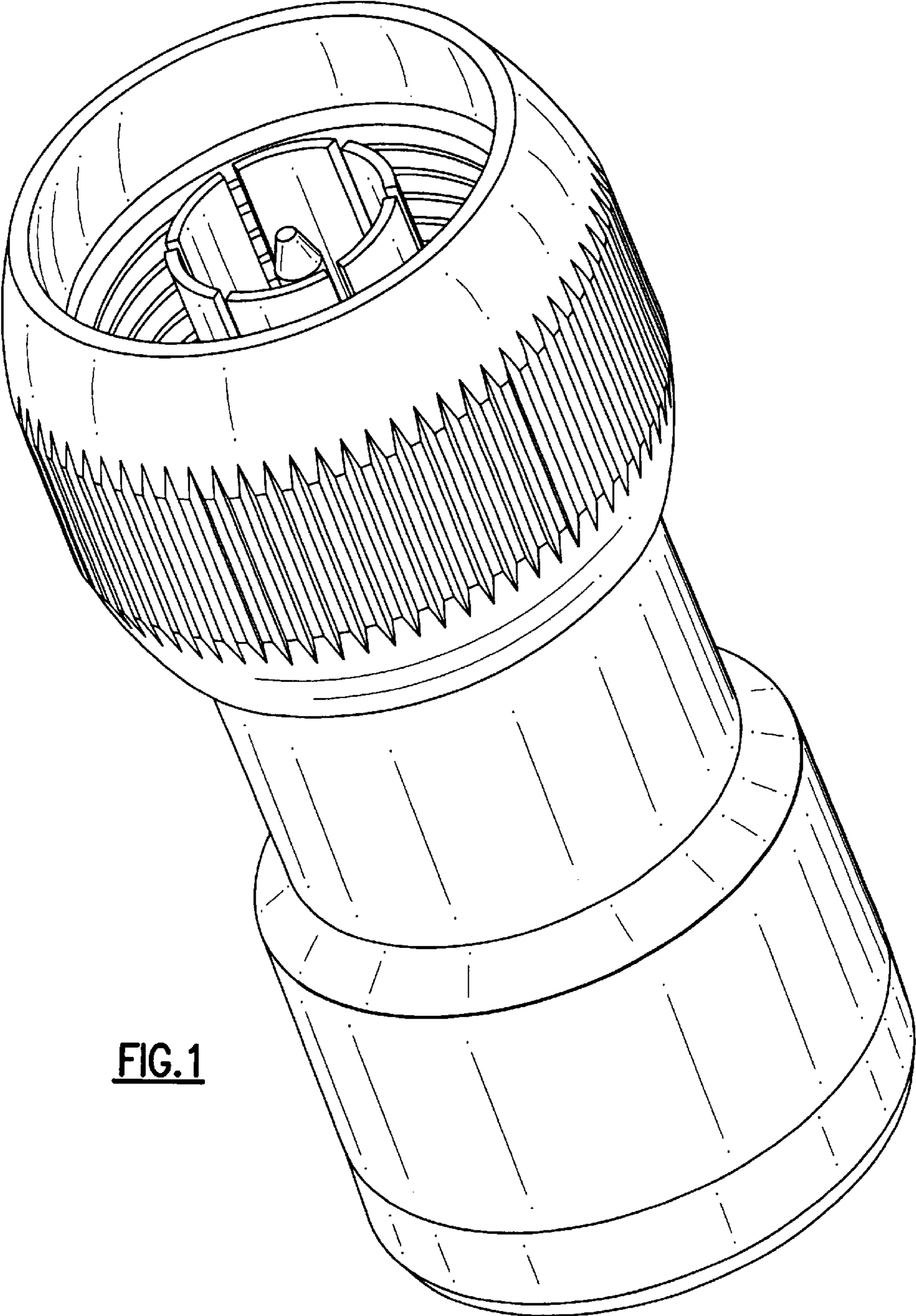
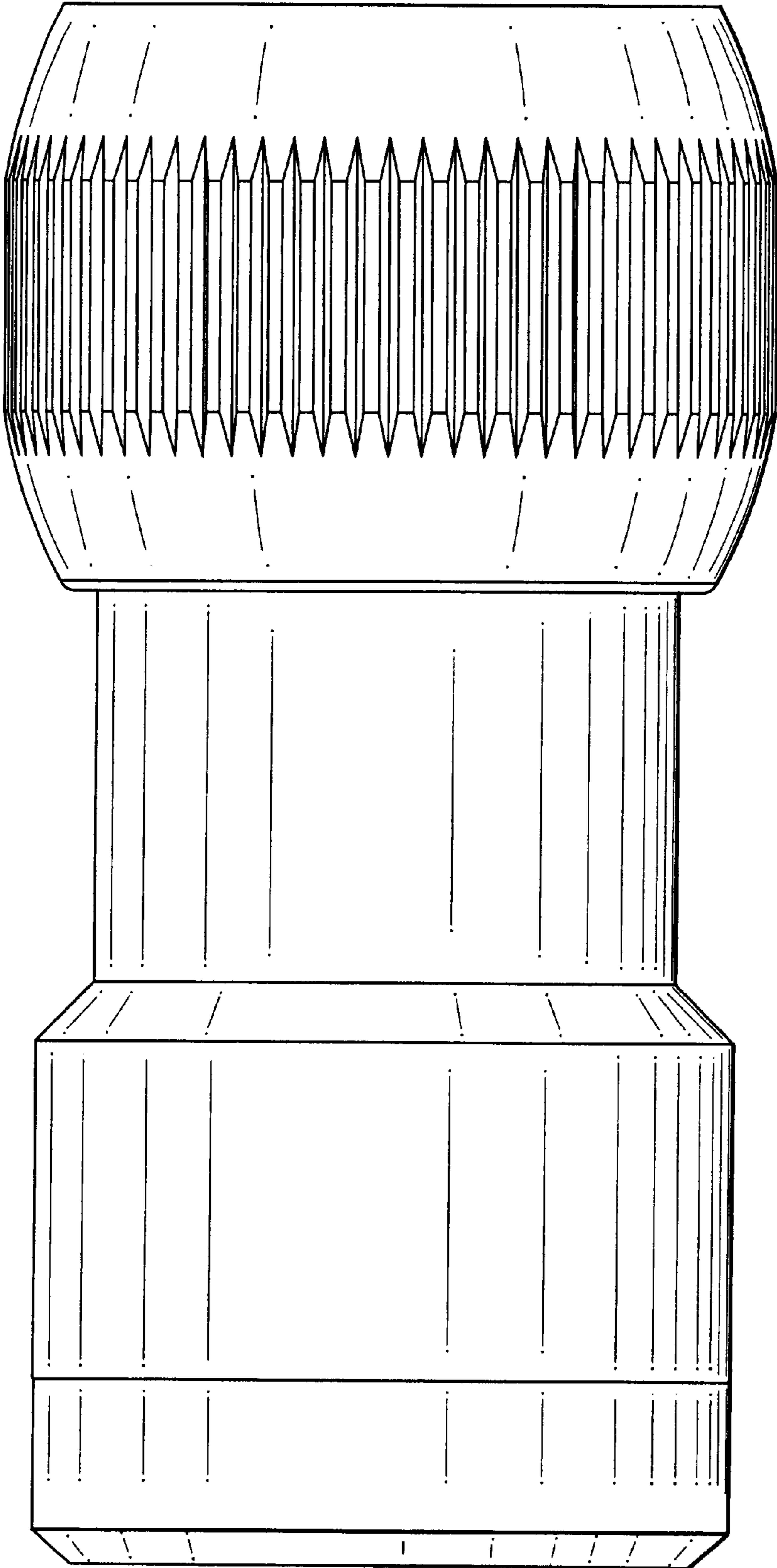


FIG. 1



**FIG.2**

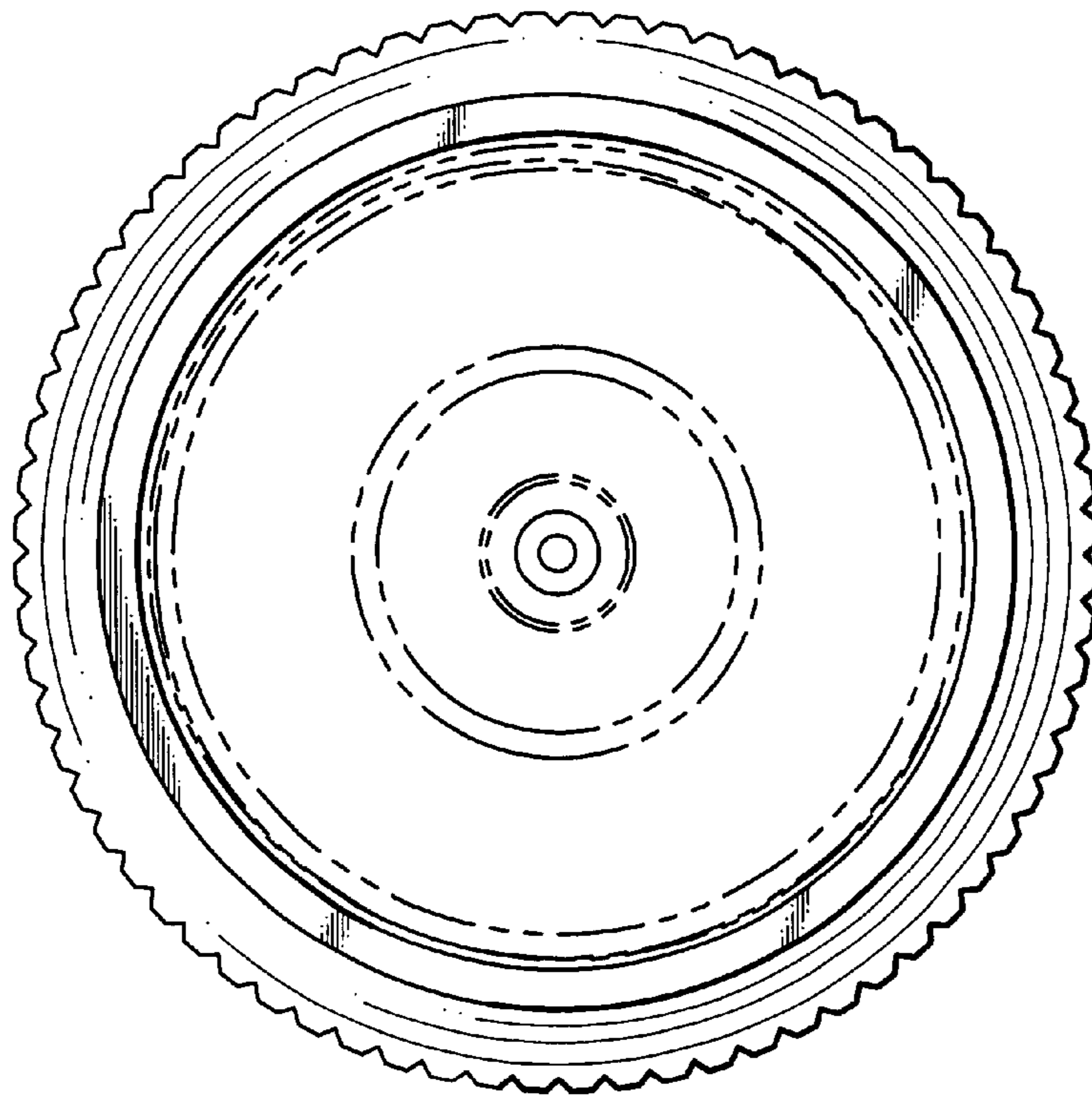


FIG.3

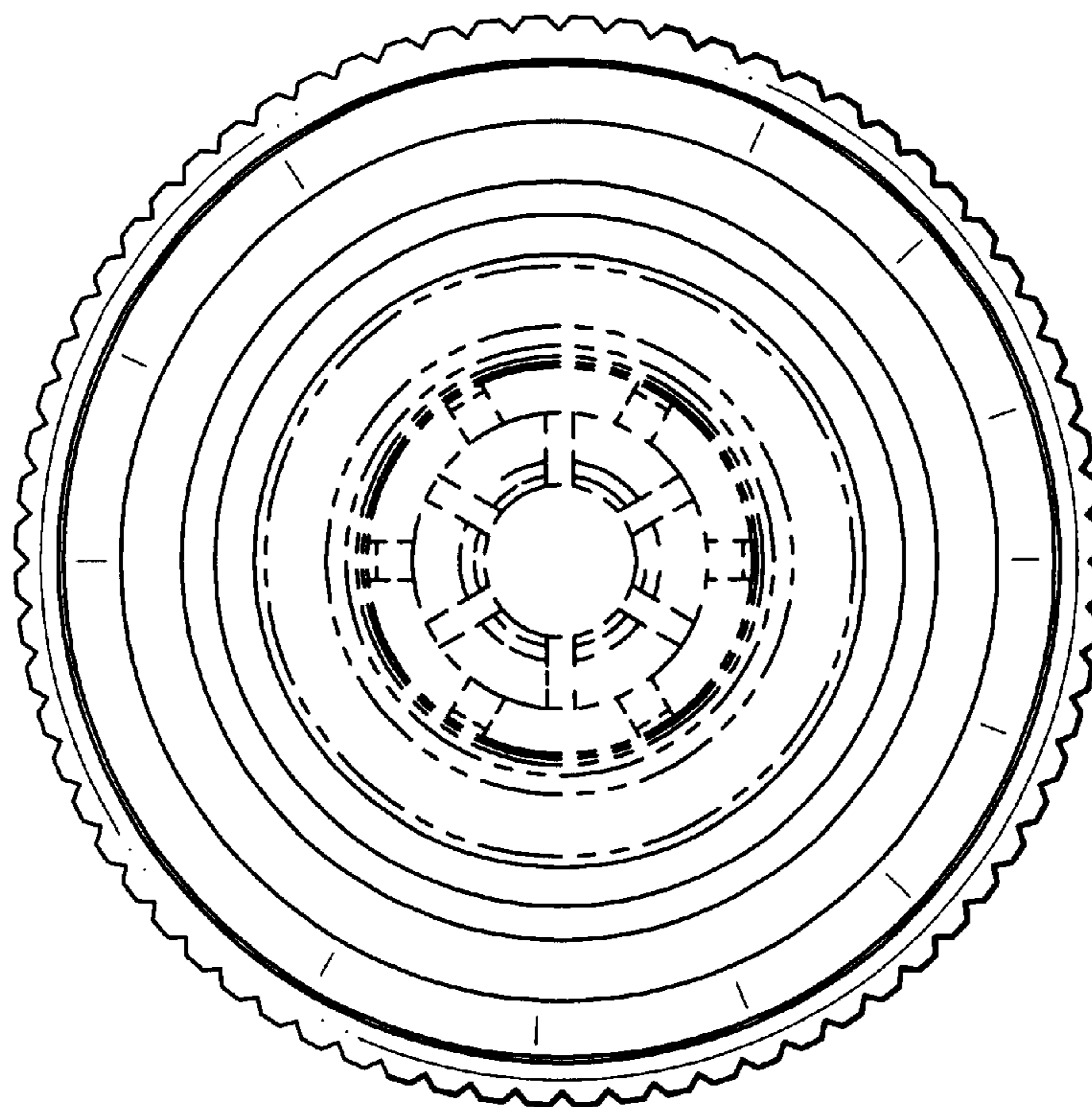


FIG.4