



US00D517017S

(12) **United States Design Patent**
Yokoo et al.

(10) **Patent No.: US D517,017 S**
(45) **Date of Patent: ** Mar. 14, 2006**

(54) **ELECTRICAL CONNECTOR**
(75) Inventors: **Hiroyuki Yokoo**, Tokyo (JP); **Takaaki Kudo**, Tokyo (JP)
(73) Assignee: **Japan Aviation Electronics Industry, Limited**, Tokyo (JP)
(**) Term: **14 Years**

(21) Appl. No.: **29/234,873**
(22) Filed: **Jul. 22, 2005**

(30) **Foreign Application Priority Data**
Jan. 24, 2005 (JP) 2005-004784

(51) **LOC (8) Cl.** **13-03**
(52) **U.S. Cl.** **D13/147**
(58) **Field of Classification Search** D13/146,
D13/147, 184, 199; 439/79, 260, 325, 329,
439/492, 495, 567, 573, 606, 678-679
See application file for complete search history.

(56) **References Cited**
U.S. PATENT DOCUMENTS
6,099,346 A * 8/2000 Hashiguchi et al. 439/495
6,338,648 B1 * 1/2002 Miura et al. 439/495
6,394,838 B1 * 5/2002 Yen 439/492
D470,110 S * 2/2003 Yamane D13/147

D472,219 S * 3/2003 Miura D13/147
6,533,606 B1 * 3/2003 Yamane 439/495
D482,000 S * 11/2003 Saito et al. D13/147
D482,327 S * 11/2003 Saito et al. D13/147
6,884,108 B1 * 4/2005 Saito et al. 439/495
2002/0115326 A1 * 8/2002 Yamane 439/260
2002/0115340 A1 * 8/2002 Yamane 439/495

* cited by examiner
Primary Examiner—Stella Reid
Assistant Examiner—Daniel Bui
(74) *Attorney, Agent, or Firm*—Collard & Roe, P.C.

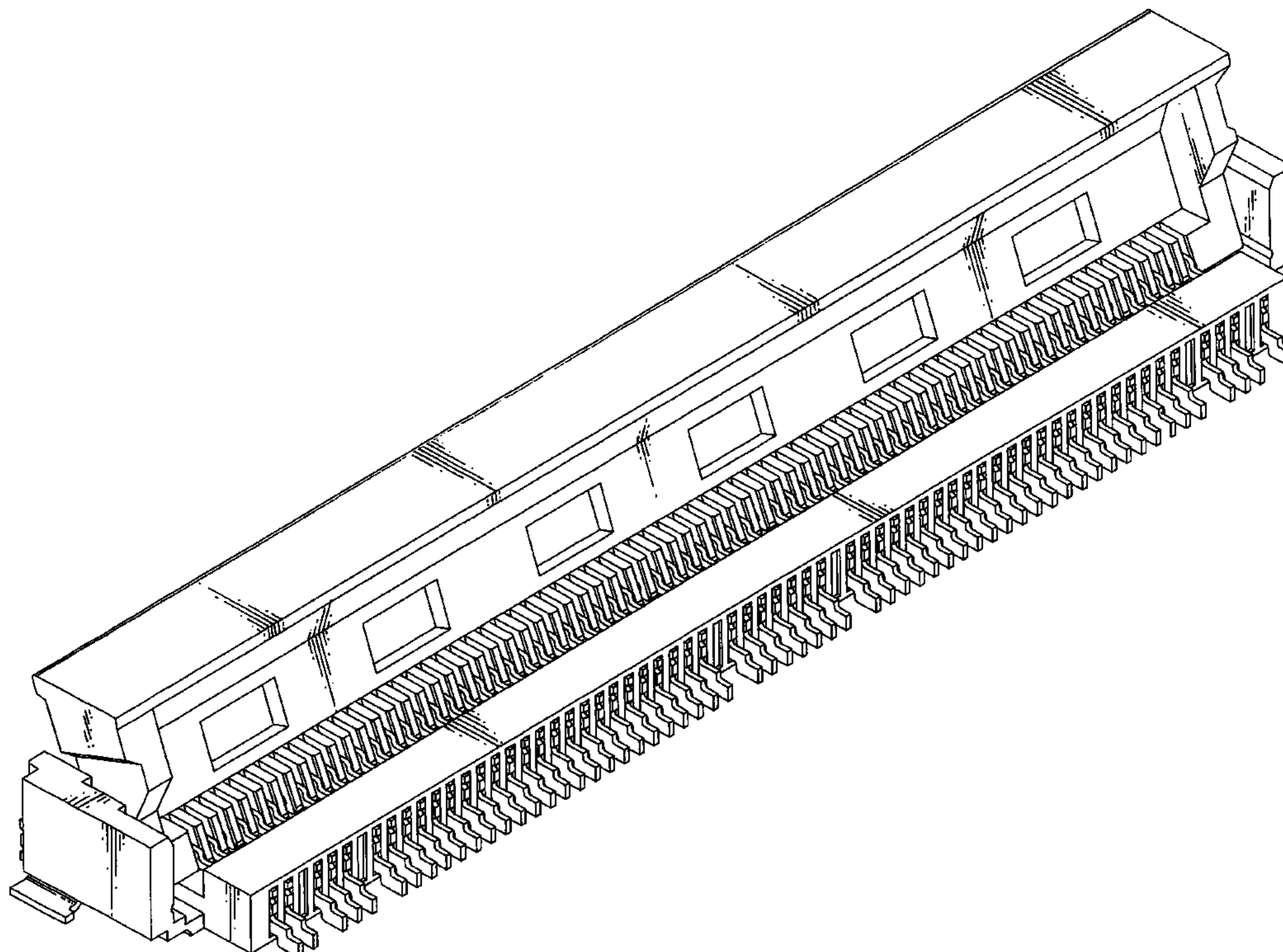
(57) **CLAIM**

The ornamental design for an electrical connector, as shown and described.

DESCRIPTION

FIG. 1 is a front, top, and right side perspective view of an electric connector;
FIG. 2 is a rear, top, and right side perspective view thereof;
FIG. 3 is a front elevational view thereof;
FIG. 4 is a rear elevational view thereof;
FIG. 5 is a top plan view thereof;
FIG. 6 is a bottom plan view thereof;
FIG. 7 is a left side elevational view thereof;
FIG. 8 is a right side elevational view thereof; and,
FIG. 9 is a sectional view taken along a line 9—9 in FIG. 3.

1 Claim, 5 Drawing Sheets



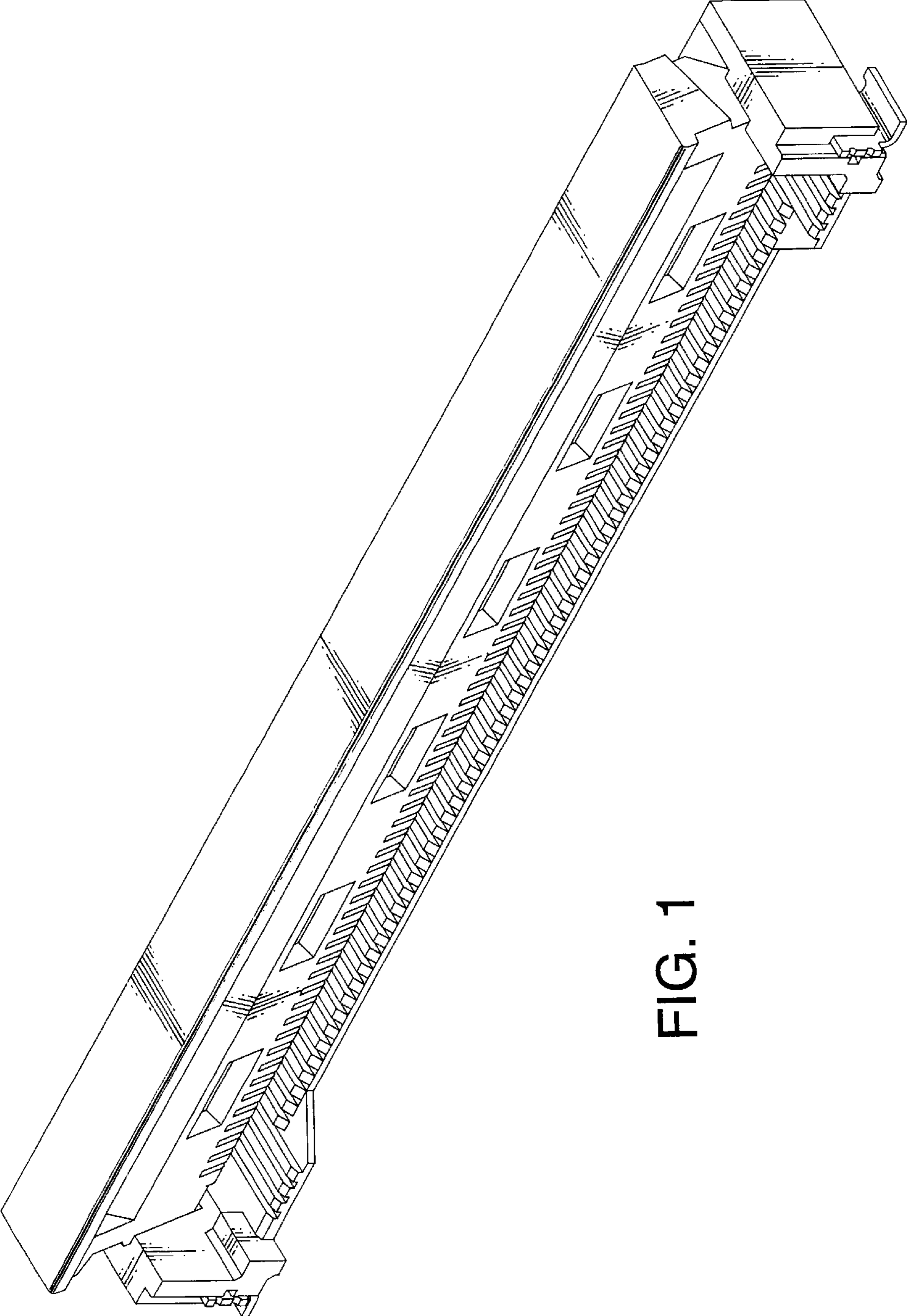


FIG. 1

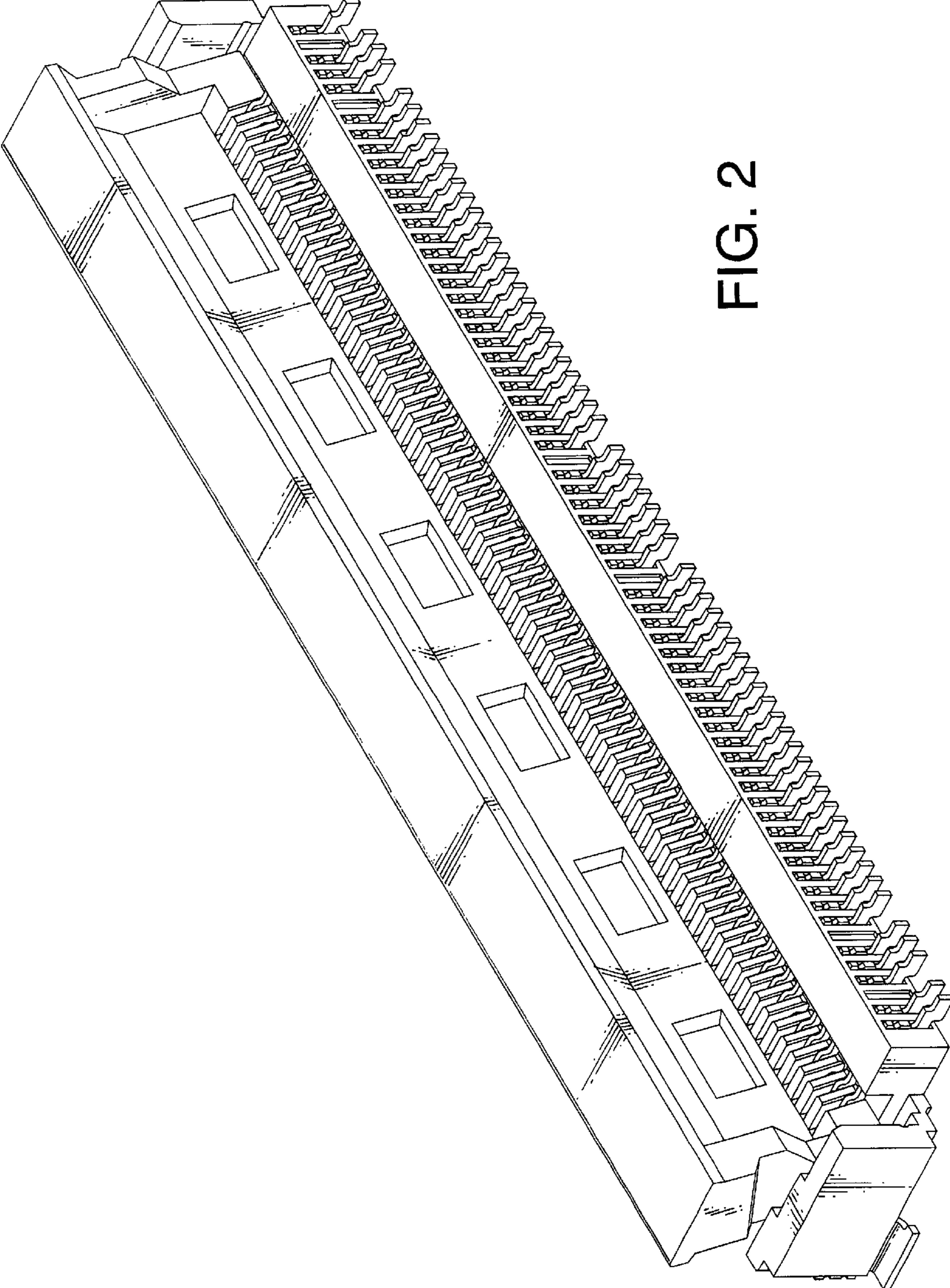


FIG. 2

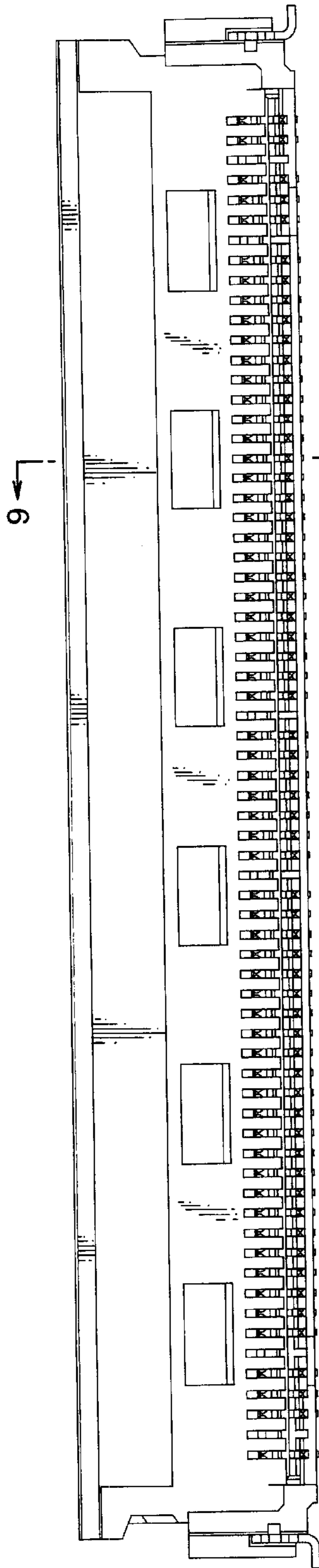


FIG. 3

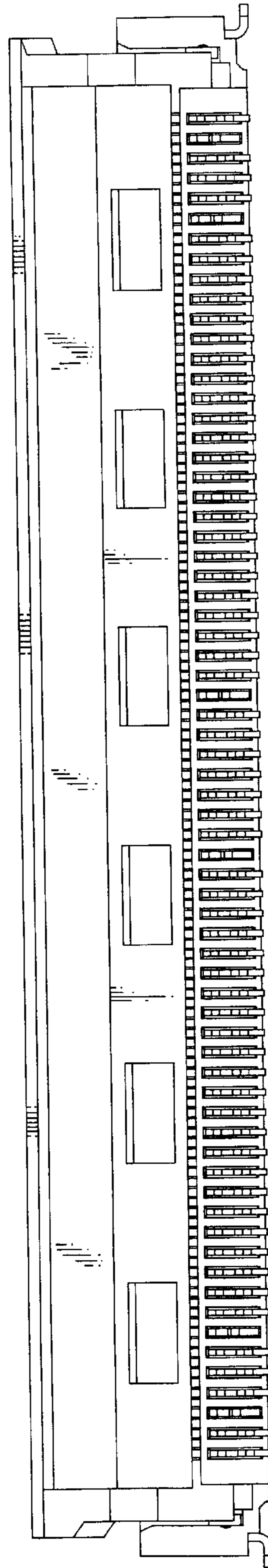


FIG. 4

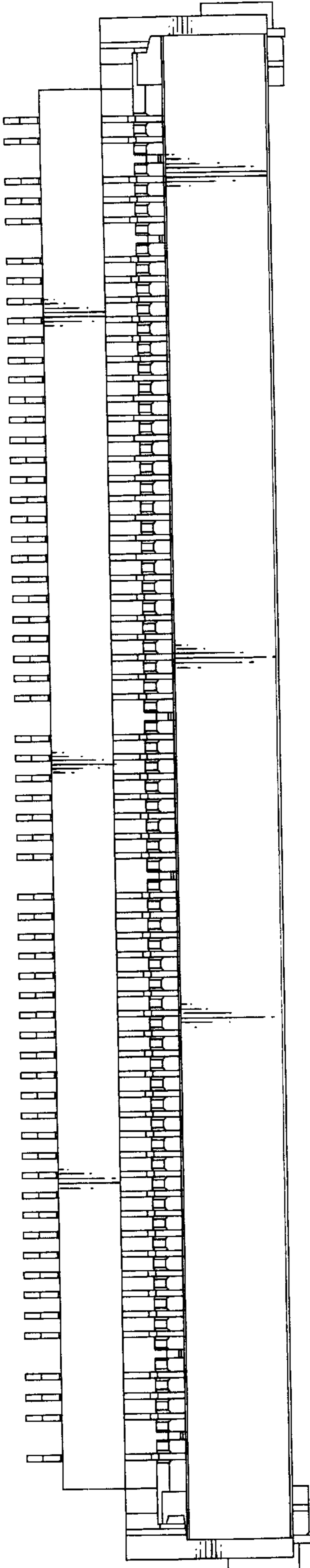


FIG. 5

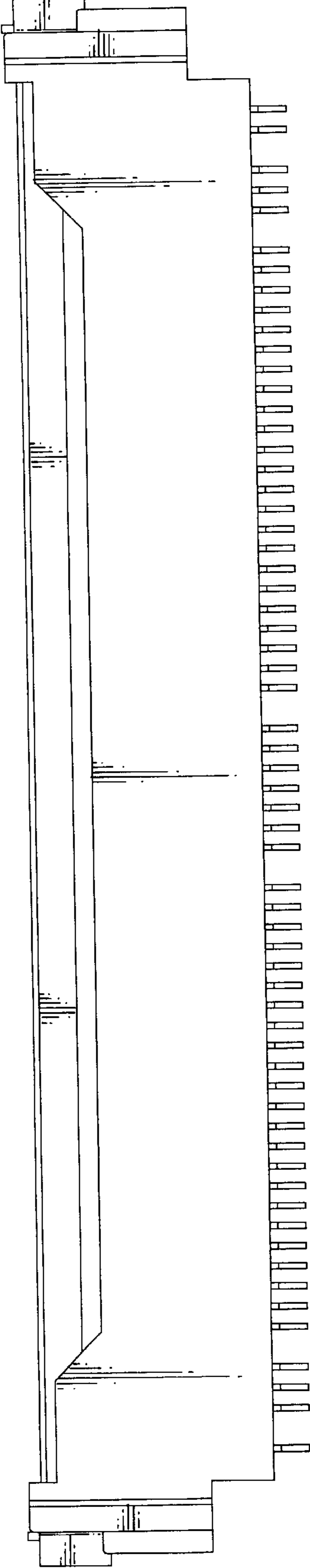


FIG. 6

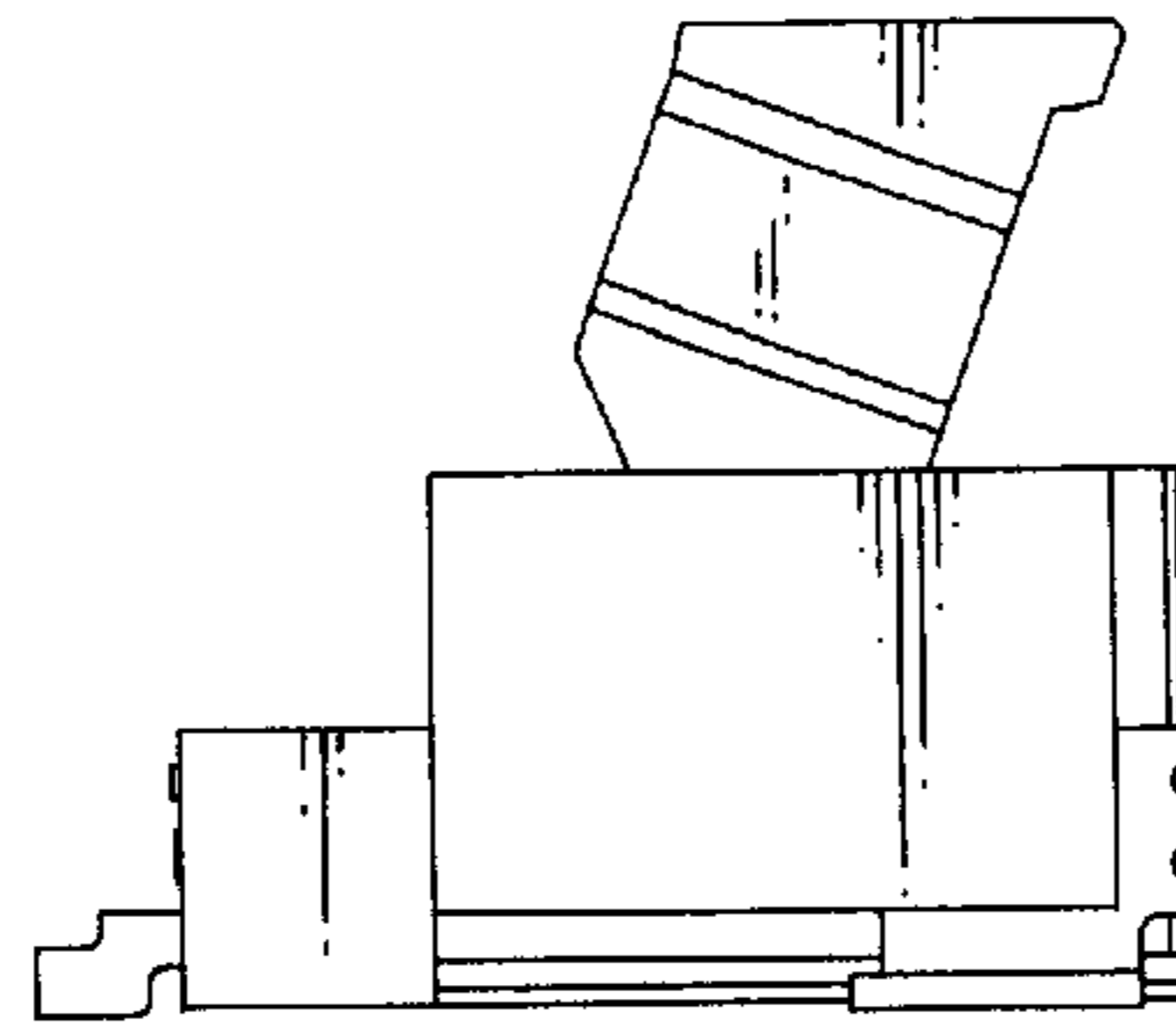


FIG. 7

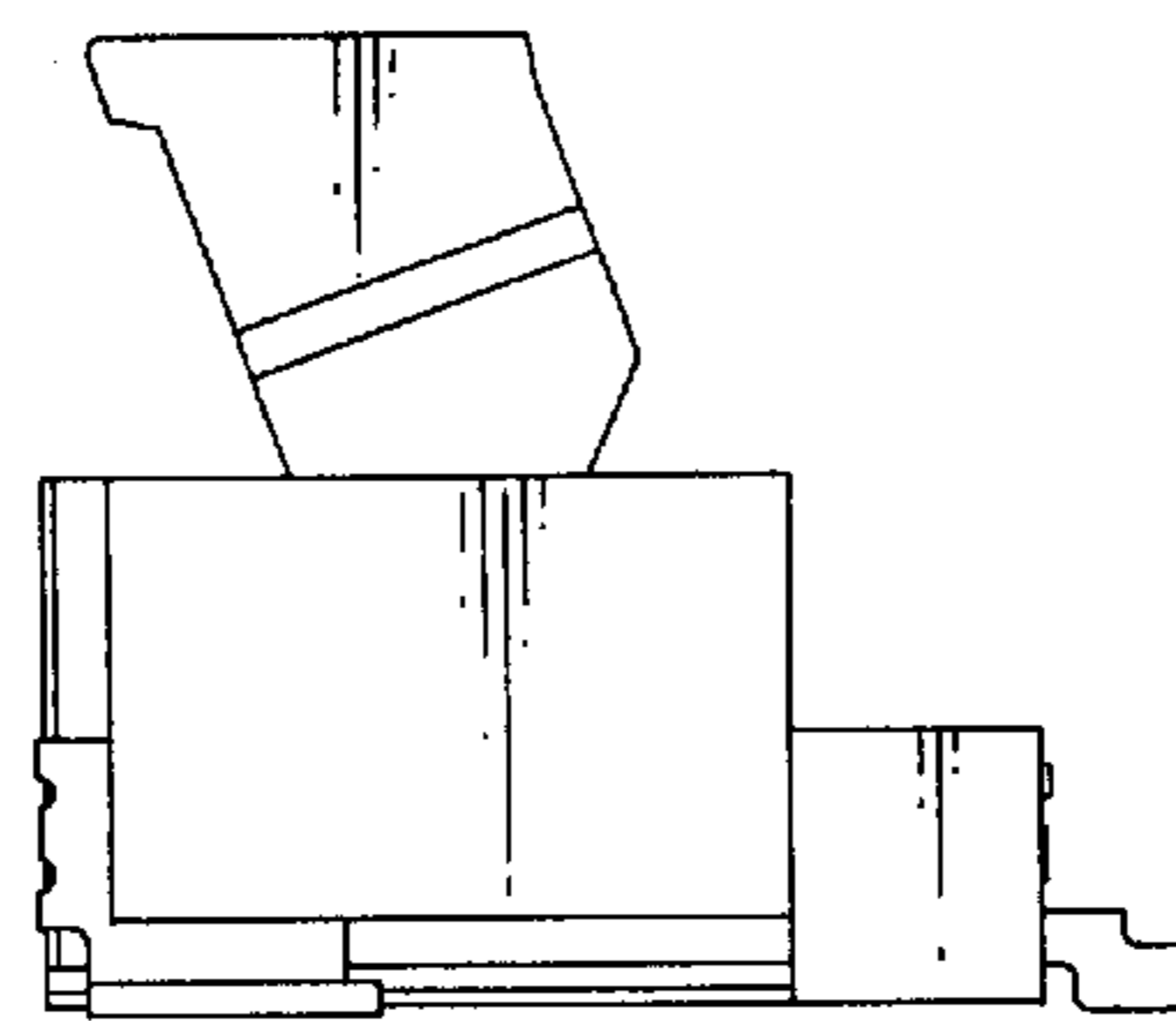


FIG. 8

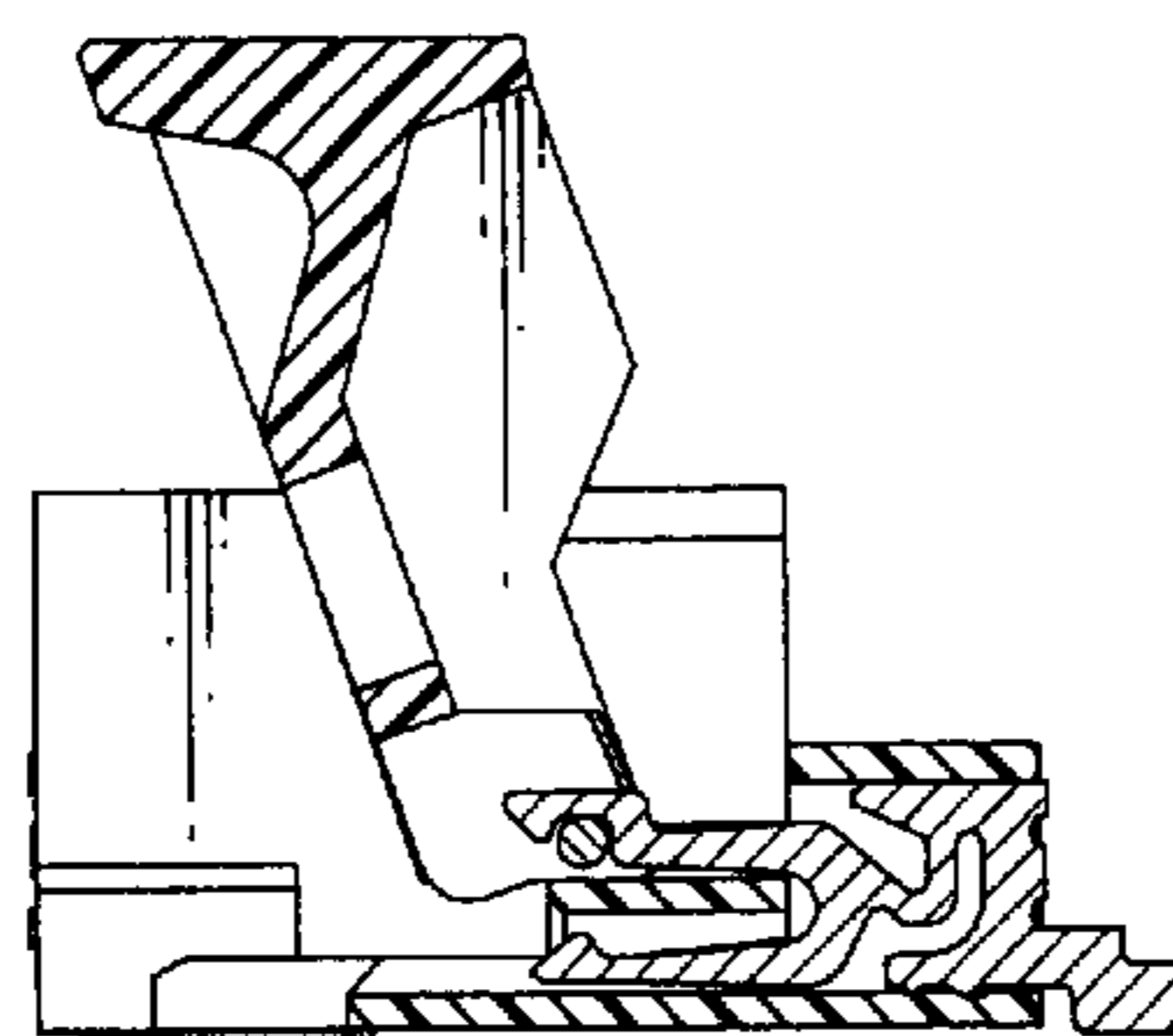


FIG. 9