



US00D517015S

(12) **United States Design Patent**  
**Riku**

(10) **Patent No.: US D517,015 S**

(45) **Date of Patent: \*\* \*Mar. 14, 2006**

(54) **ELECTRICAL CONNECTOR**

(75) Inventor: **Kazuya Riku**, Tokyo (JP)

(73) Assignee: **Tyco Electronics AMP K.K.**,  
Kanagawa-ken (JP)

(\* ) Notice: This patent is subject to a terminal disclaimer.

(\*\* ) Term: **14 Years**

(21) Appl. No.: **29/219,326**

(22) Filed: **Dec. 14, 2004**

(30) **Foreign Application Priority Data**

Jun. 15, 2004 (JP) ..... 2004-017859

(51) **LOC (8) Cl.** ..... **13-03**

(52) **U.S. Cl.** ..... **D13/147**

(58) **Field of Classification Search** ..... D13/133,  
D13/184, 154, 199, 146-147; 439/79, 101,  
439/108, 344, 350, 352, 447, 557, 571, 573,  
439/540.1, 541.5, 607-608, 825  
See application file for complete search history.

(56) **References Cited**

**U.S. PATENT DOCUMENTS**

- 5,259,768 A \* 11/1993 Brunker et al. .... 439/60
- D434,379 S \* 11/2000 Funatsu ..... D13/147
- 6,149,468 A \* 11/2000 Meng ..... 439/637
- 6,210,240 B1 \* 4/2001 Comerci et al. .... 439/853

- 6,319,075 B1 11/2001 Clark et al.
- D452,481 S \* 12/2001 Shimojyo ..... D13/147
- D453,735 S \* 2/2002 Yoneyama et al. .... D13/147
- D462,057 S \* 8/2002 Okamoto ..... D13/147
- D474,747 S \* 5/2003 Naganawa et al. .... D13/147
- D474,749 S \* 5/2003 Naganawa et al. .... D13/147
- D475,017 S \* 5/2003 Naganawa et al. .... D13/147
- 6,688,909 B1 \* 2/2004 Espenshade et al. .... 439/490
- D492,258 S \* 6/2004 Naganawa et al. .... D13/147

\* cited by examiner

*Primary Examiner*—Stella Reid

*Assistant Examiner*—Daniel Bui

(74) *Attorney, Agent, or Firm*—Barley Snyder LLC

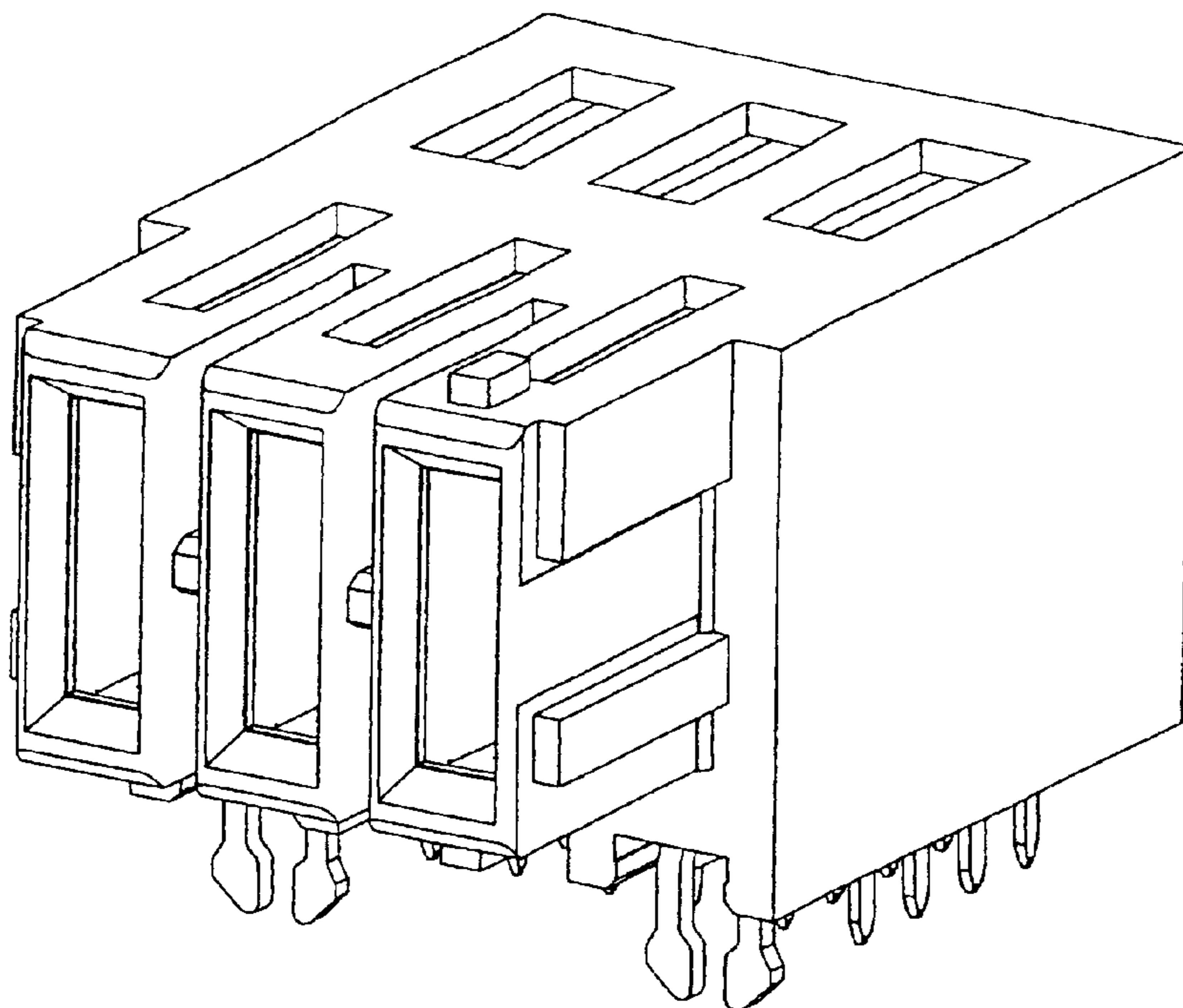
(57) **CLAIM**

The ornamental design for an electrical connector, as shown and described.

**DESCRIPTION**

FIG. 1 is a front elevation view of an electrical connector, showing my new design;  
 FIG. 2 is a top plan view thereof;  
 FIG. 3 is a bottom plan view thereof;  
 FIG. 4 is a right side elevation view thereof;  
 FIG. 5 is a left side elevation view thereof;  
 FIG. 6 is a rear elevation view thereof;  
 FIG. 7 is a cross sectional view thereof; taken along the line 7—7 in FIG. 1; and,  
 FIG. 8 is a top, front and right side perspective view thereof.

**1 Claim, 8 Drawing Sheets**



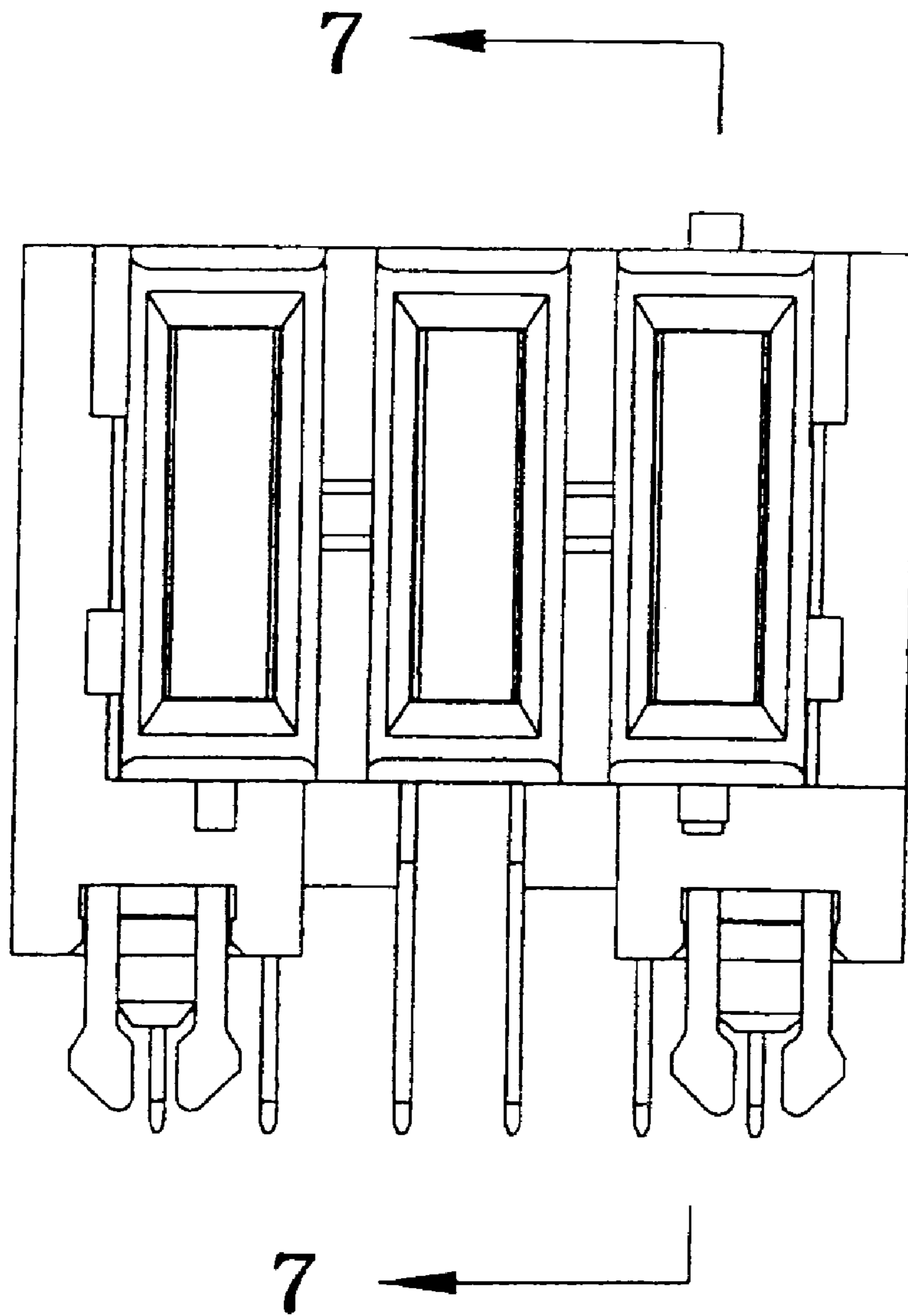


FIG. 1

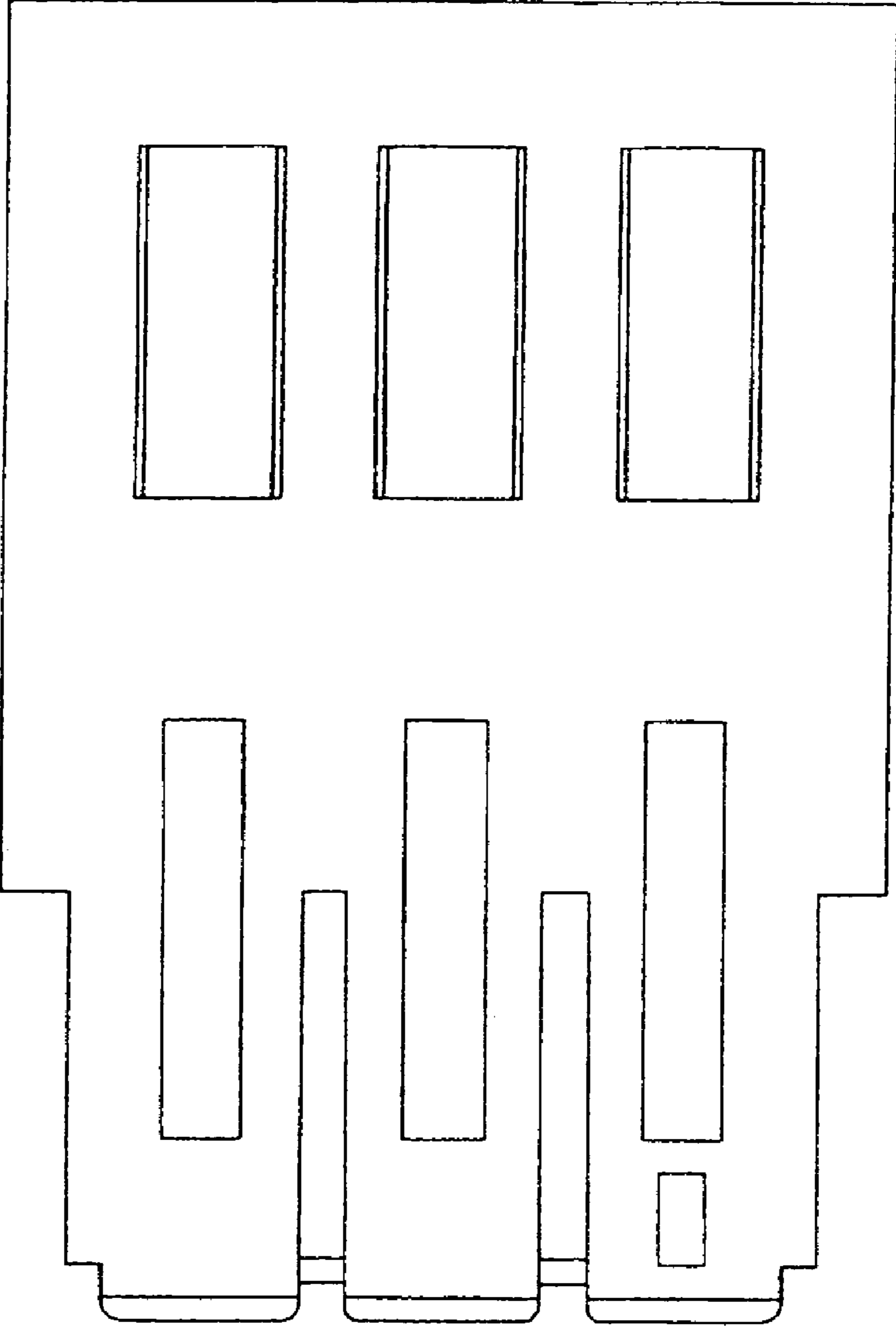


FIG. 2

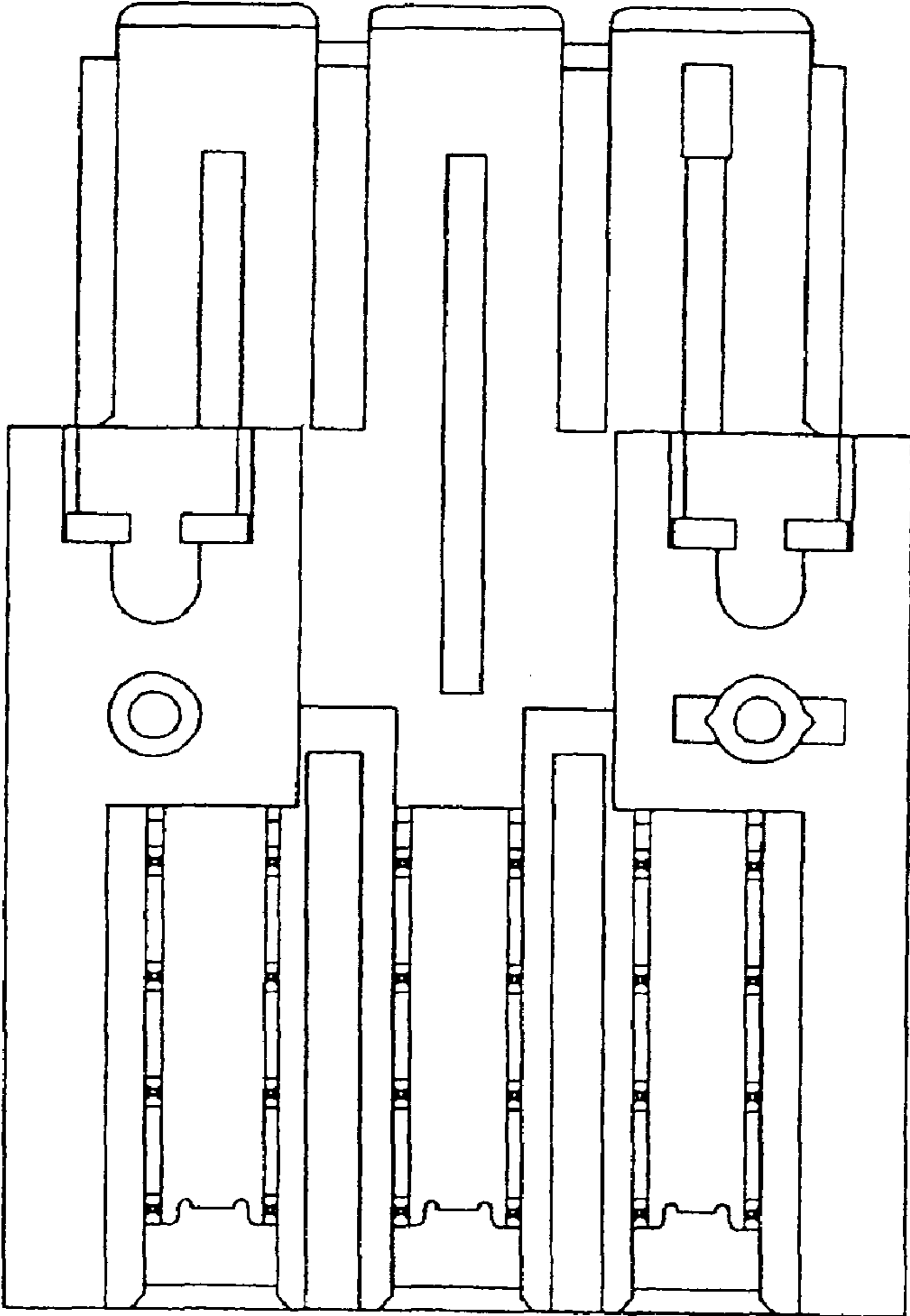


FIG. 3

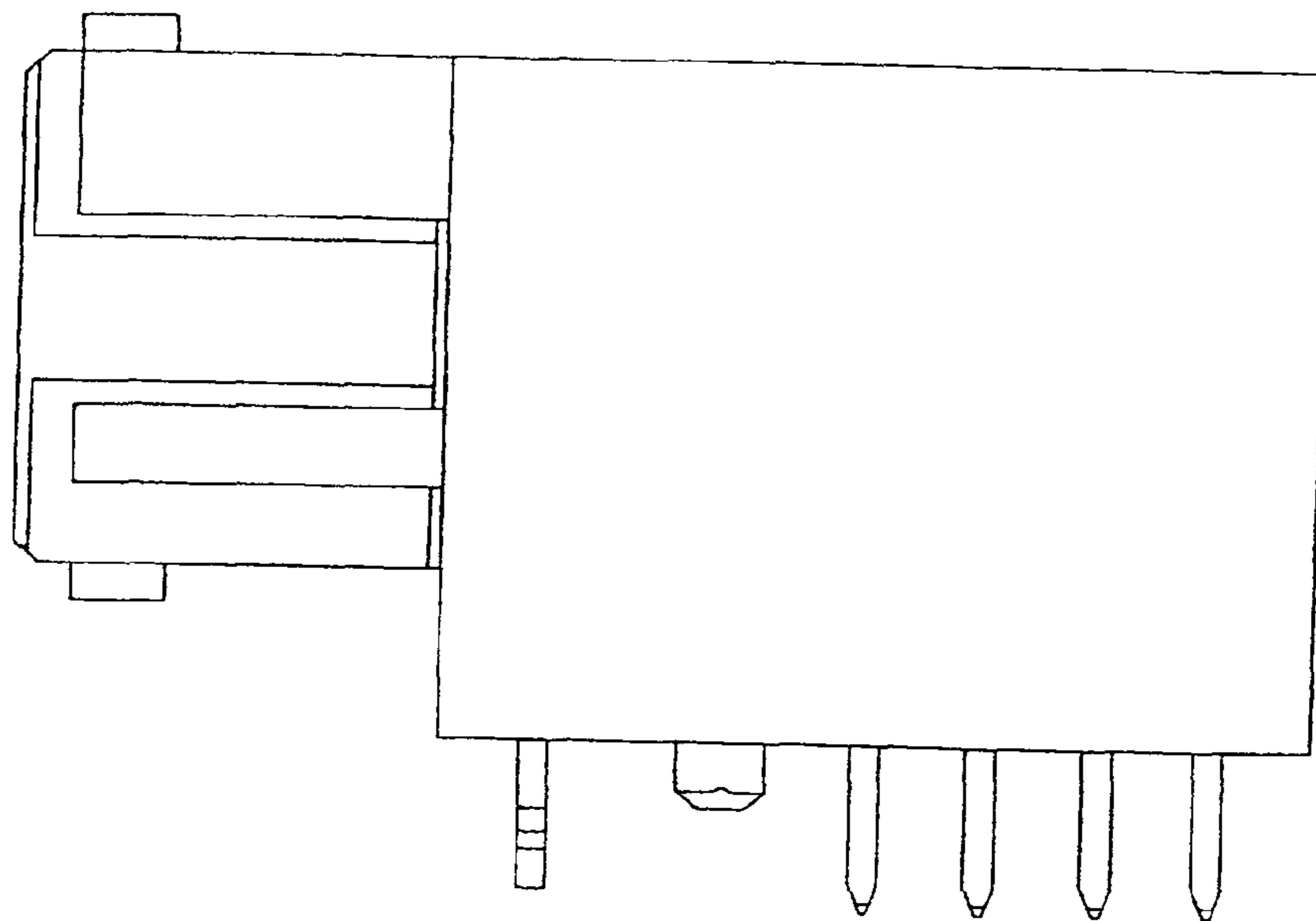


FIG. 4

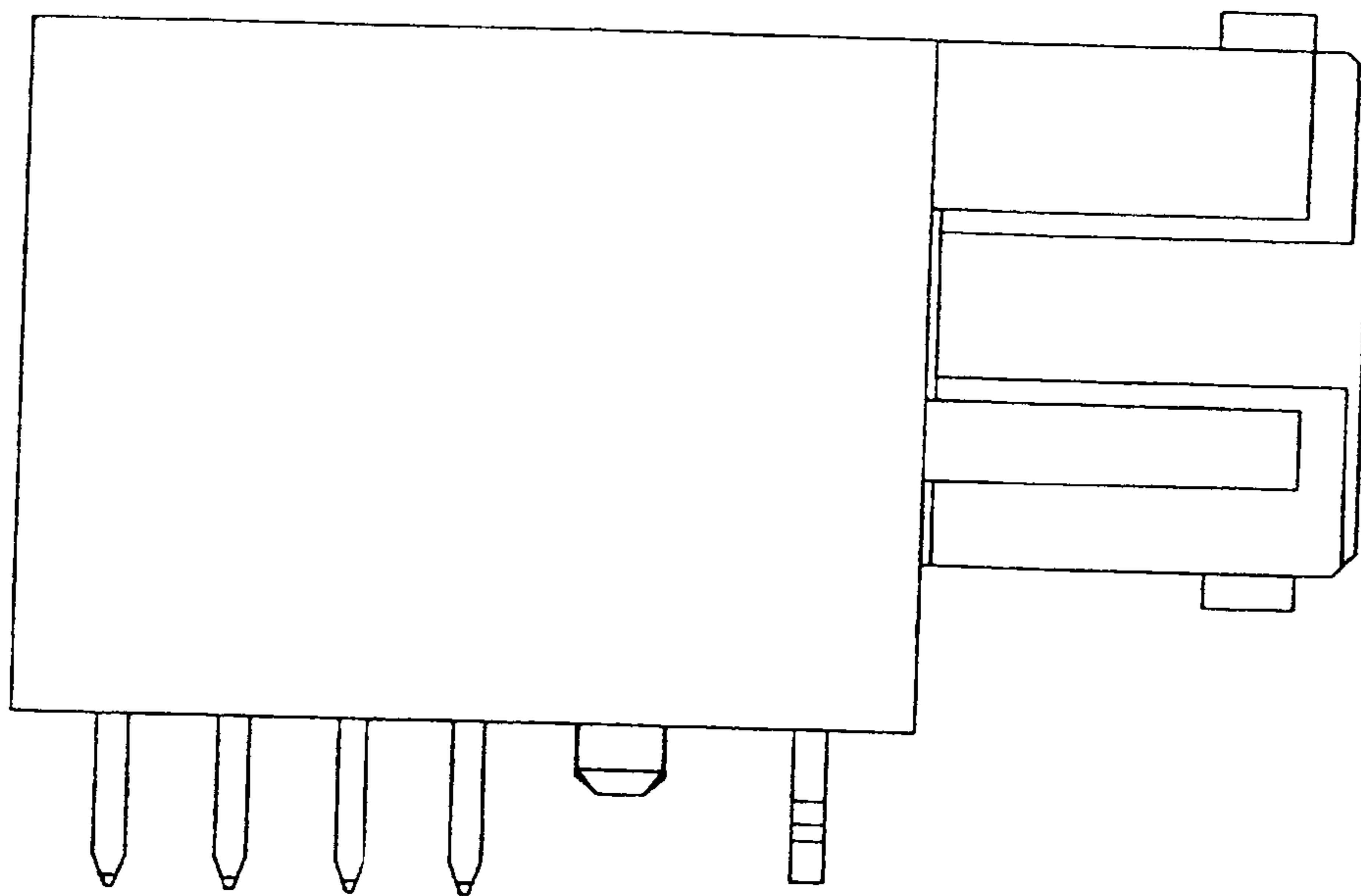


FIG. 5

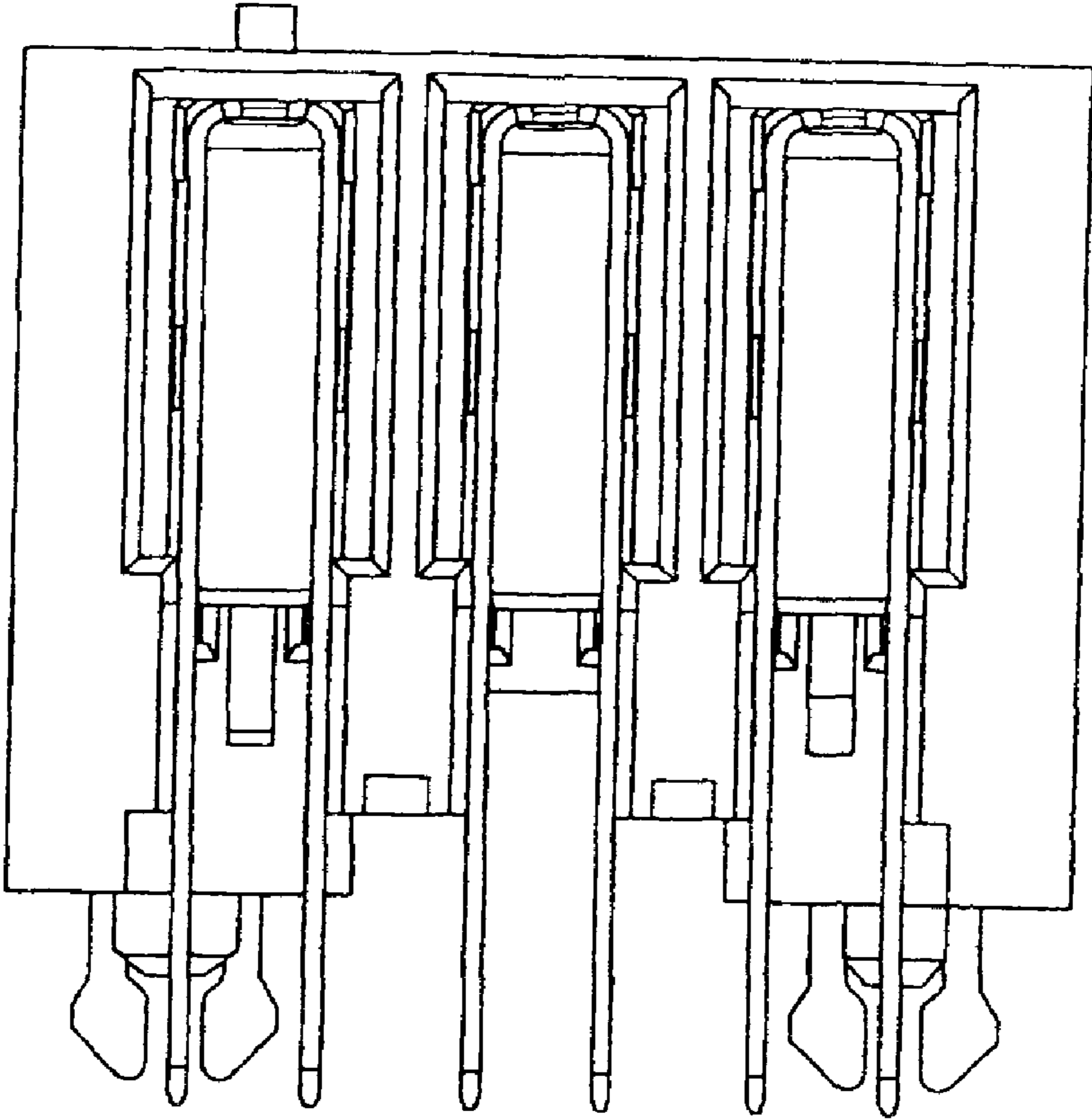


FIG. 6

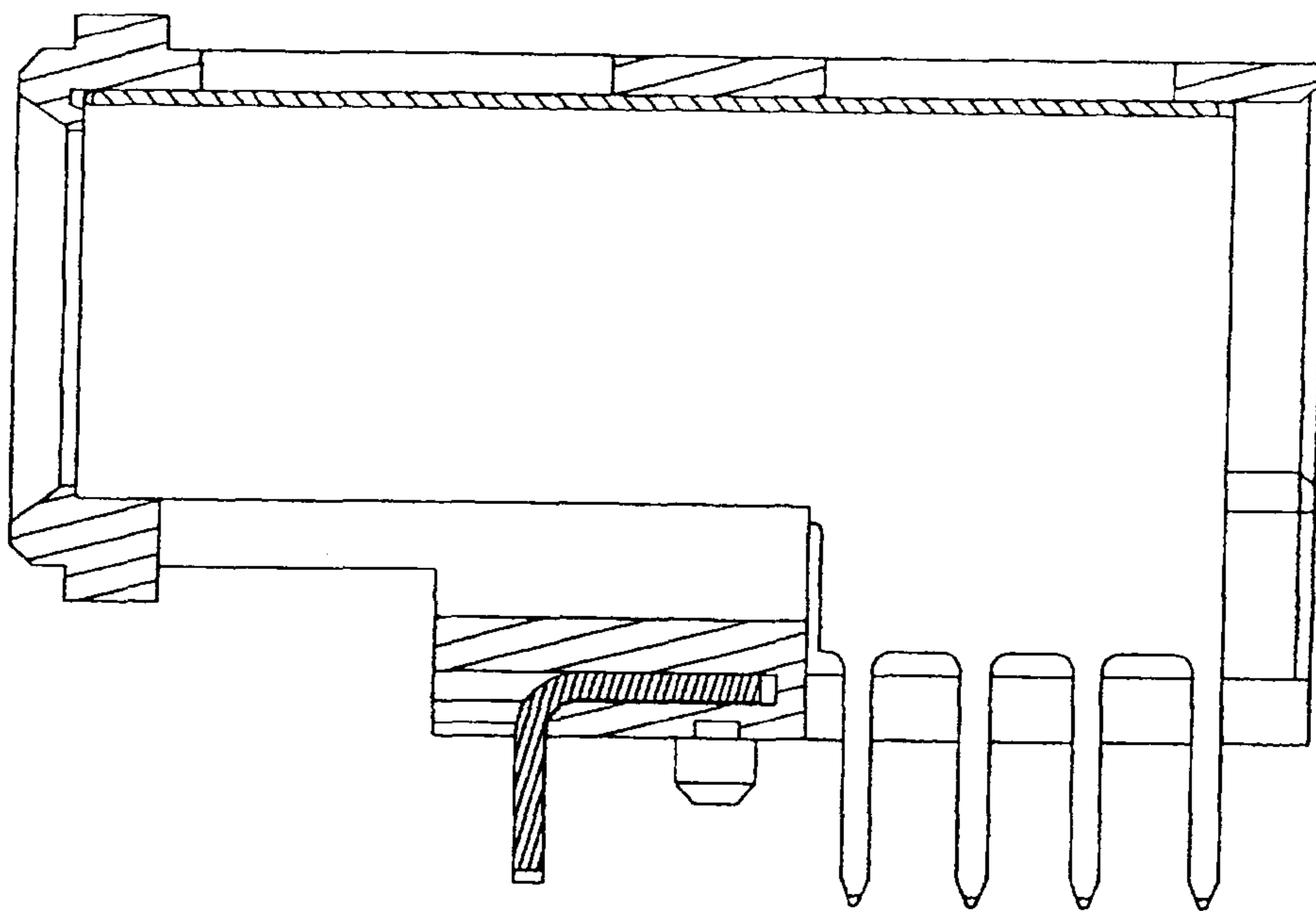


FIG. 7



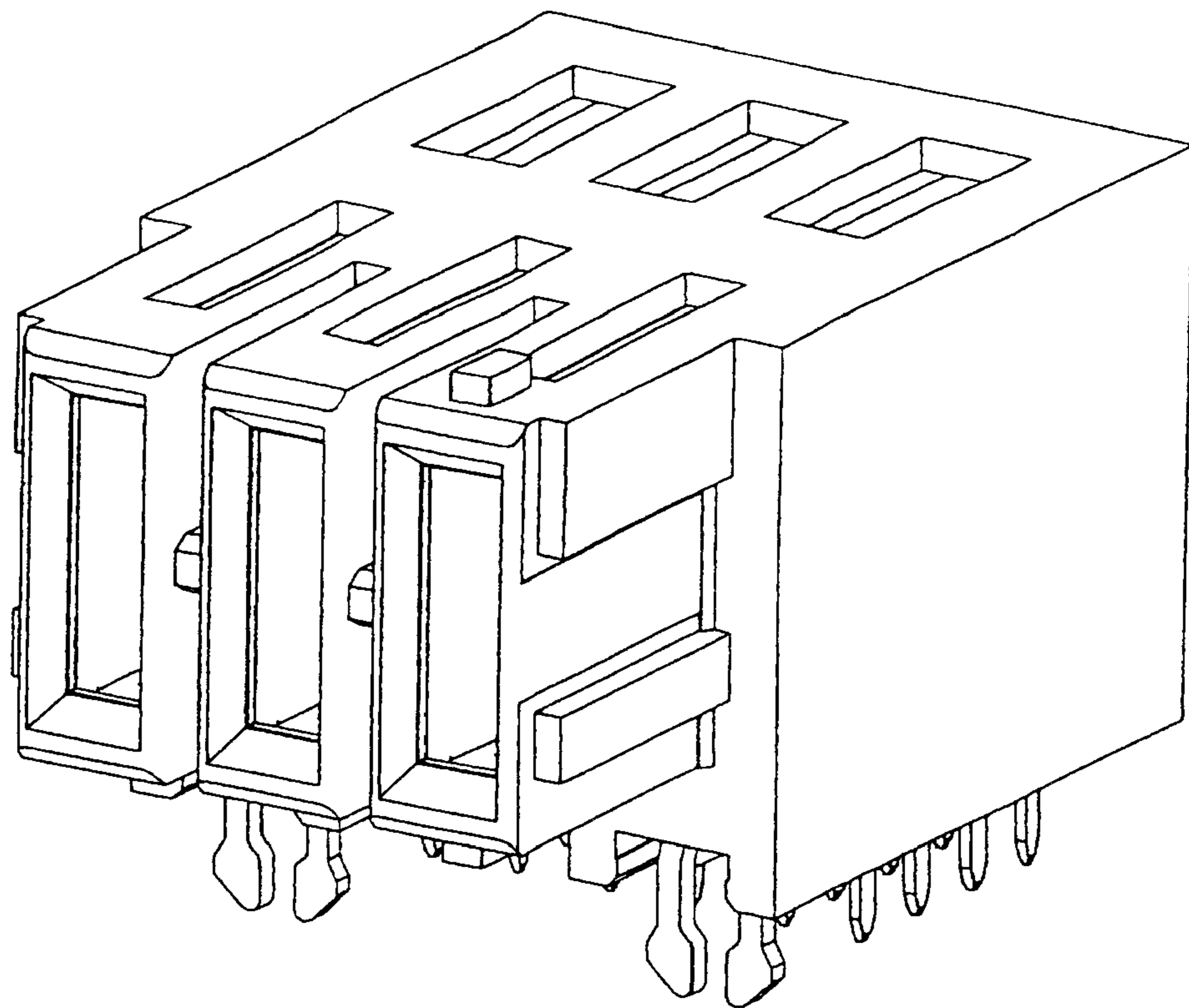


FIG. 8