



US00D517013S

(12) **United States Design Patent**
Huang

(10) **Patent No.:** **US D517,013 S**
(45) **Date of Patent:** **** Mar. 14, 2006**

- (54) **ELECTRICAL CONNECTOR**
 - (75) Inventor: **Huang-Chou Huang**, Taipei (TW)
 - (73) Assignee: **Suyin Corporation**, Taipei (TW)
 - (**) Term: **14 Years**
 - (21) Appl. No.: **29/209,973**
 - (22) Filed: **Jul. 26, 2004**
 - (51) **LOC (8) Cl.** **13-03**
 - (52) **U.S. Cl.** **D13/147**
 - (58) **Field of Classification Search** D13/146,
D13/147, 184, 199; 439/79, 607-610, 660,
439/686
- See application file for complete search history.

- D469,406 S * 1/2003 Nishimae et al. D13/147
- D500,476 S * 1/2005 Matsuoka D13/147
- D503,386 S * 3/2005 Matsuoka D13/147
- 2005/0164544 A1 * 7/2005 Yamaguchi et al. 439/495

* cited by examiner

Primary Examiner—Stella Reid
Assistant Examiner—Daniel Bui
(74) *Attorney, Agent, or Firm*—Rosenberg, Klein & Lee

(57) **CLAIM**

The ornamental design for an electrical connector, as shown.

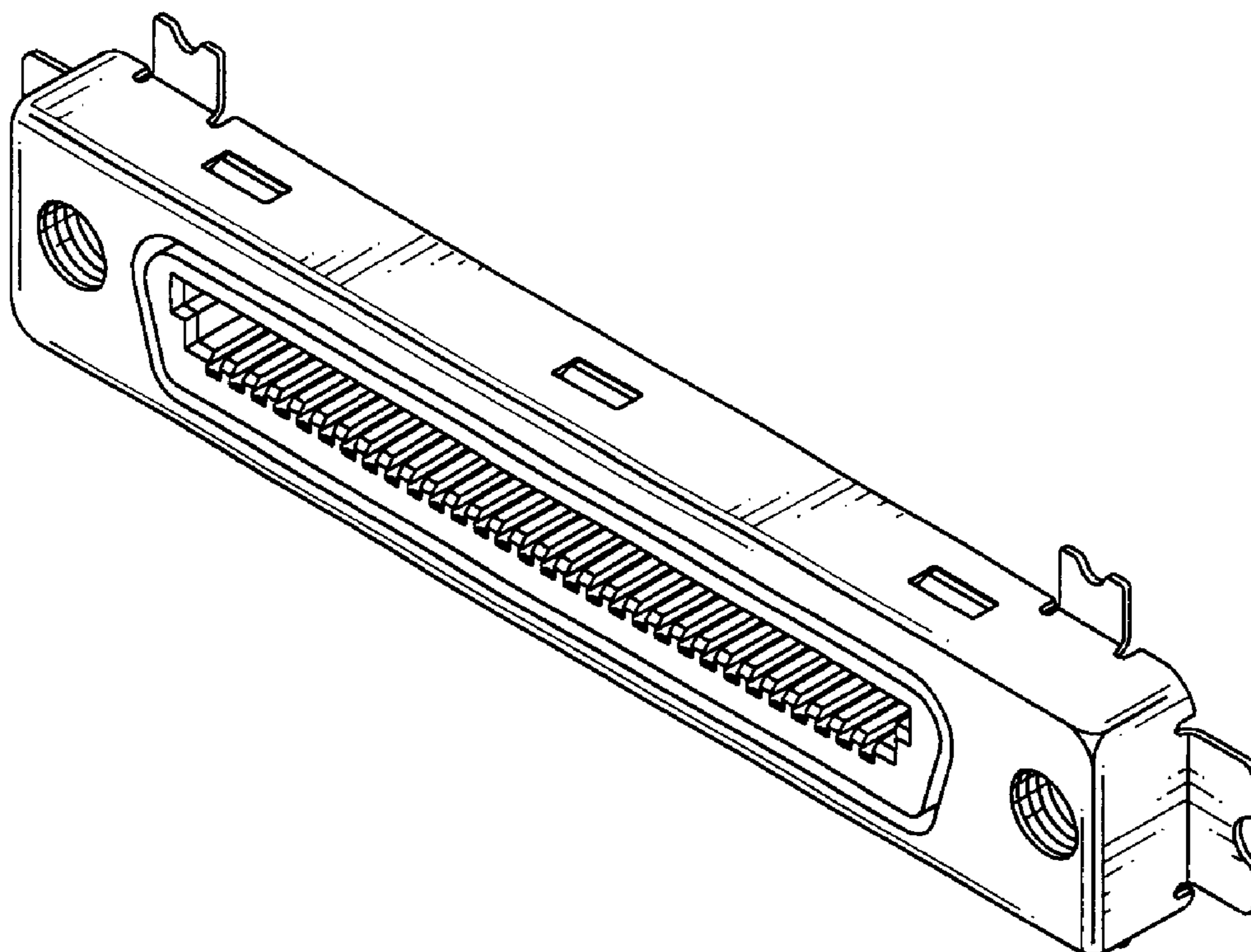
DESCRIPTION

FIG. 1 is a perspective view of an electrical connector showing my new design;
FIG. 2 is a front elevational view thereof;
FIG. 3 is a rear elevational view thereof;
FIG. 4 is a left elevational view thereof;
FIG. 5 is a right elevational view thereof;
FIG. 6 is top plan view thereof; and,
FIG. 7 is a bottom plan view thereof.

(56) **References Cited**
U.S. PATENT DOCUMENTS

- D364,378 S * 11/1995 Nakamura D13/147
- 5,695,366 A * 12/1997 Tomczak et al. 439/607
- D408,788 S * 4/1999 Homma D13/147
- D458,224 S * 6/2002 Miya et al. D13/133

1 Claim, 4 Drawing Sheets



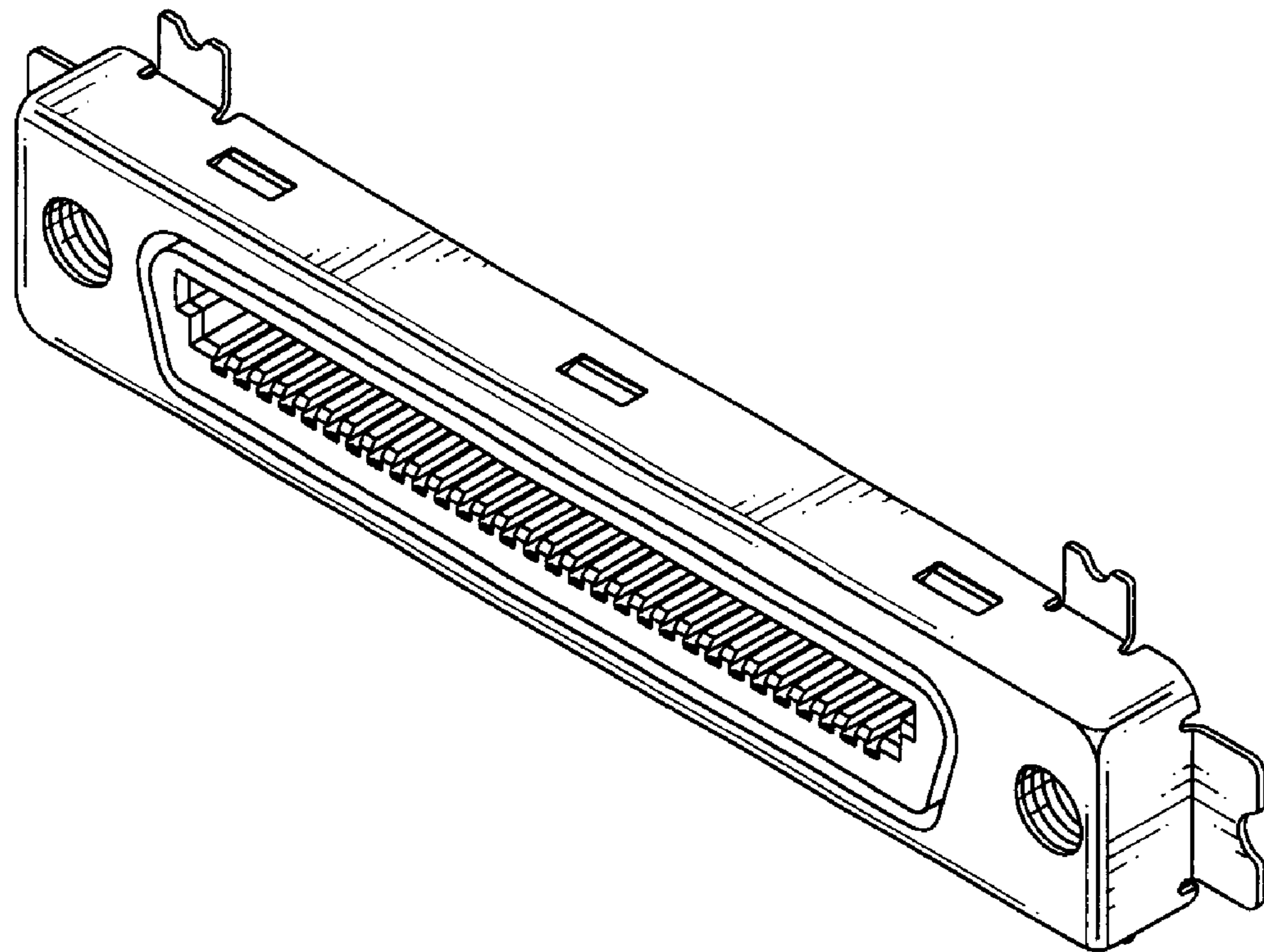


FIG. 1

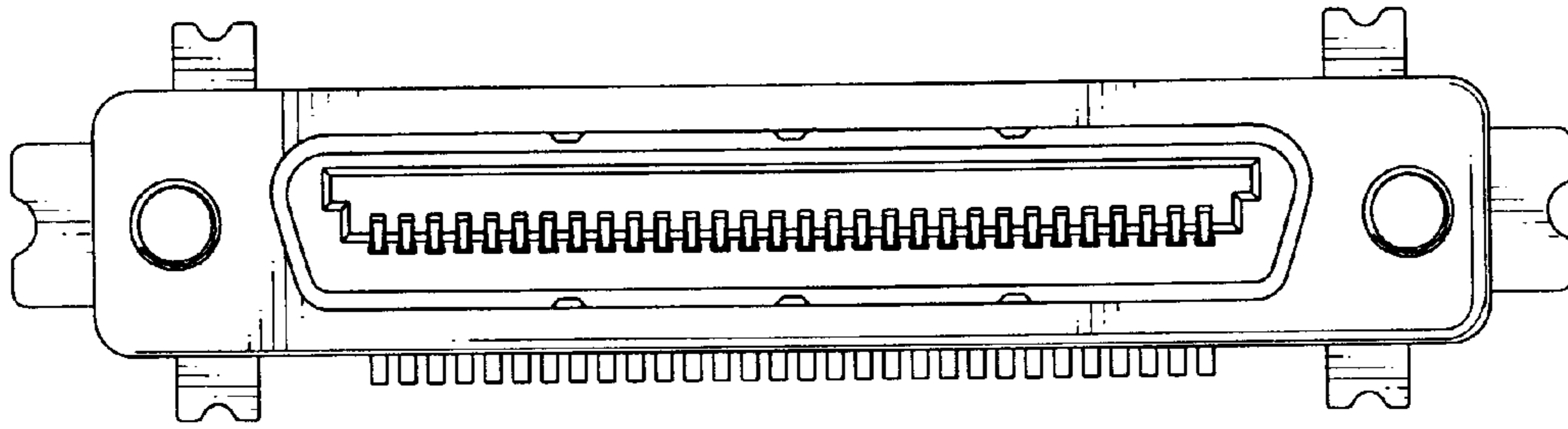


FIG. 2

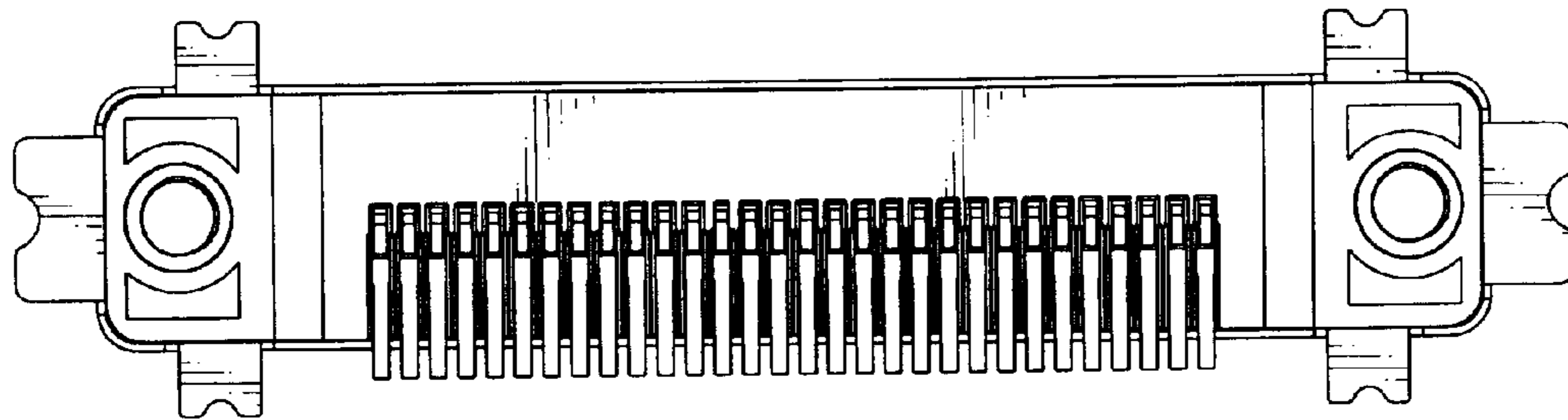


FIG. 3

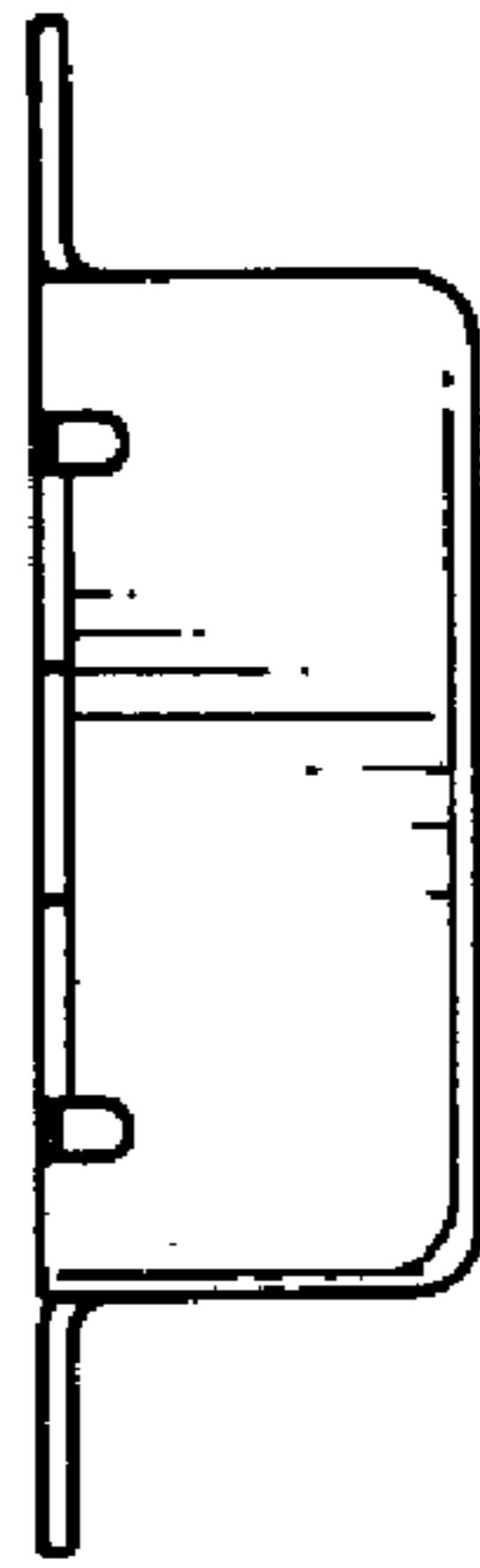


FIG. 4

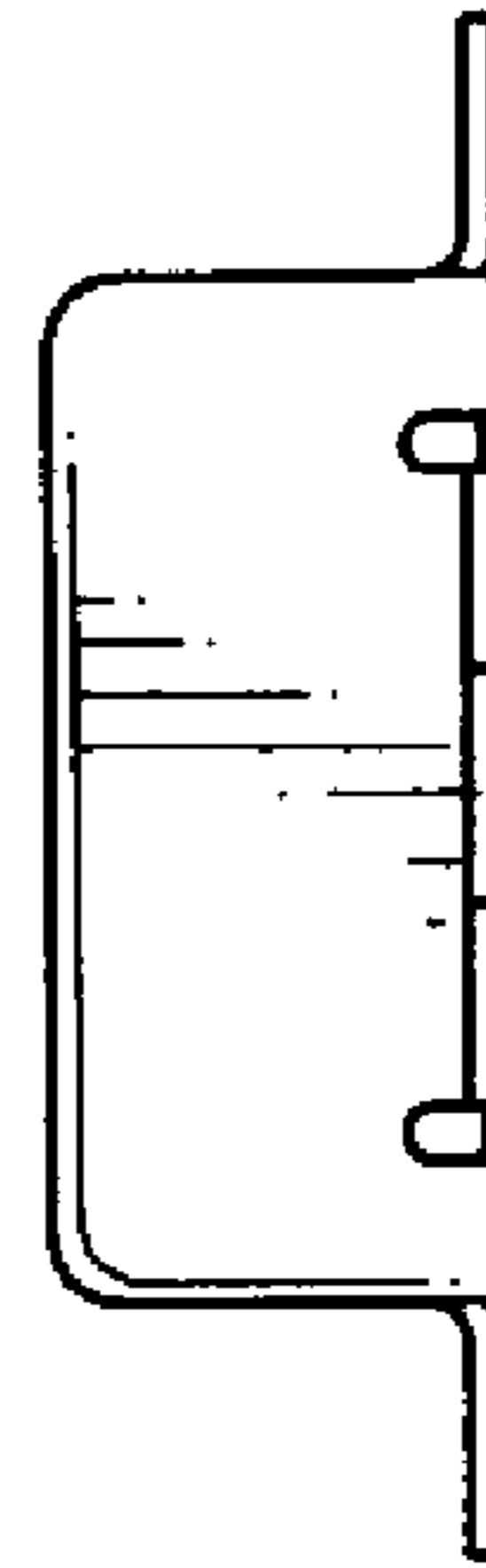


FIG. 5

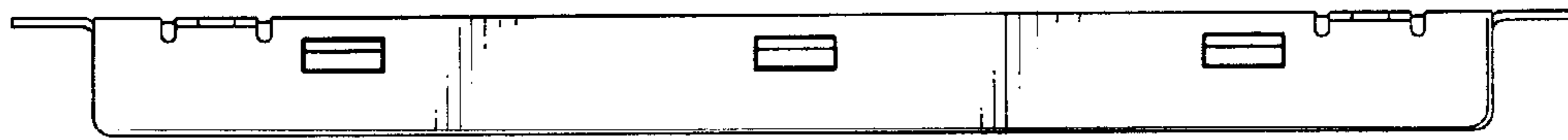


FIG. 6

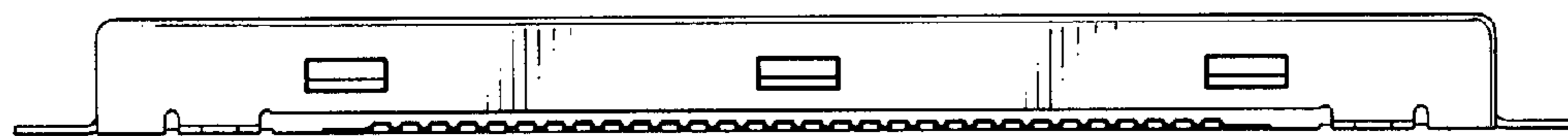


FIG. 7