



US00D517009S

(12) **United States Design Patent** (10) **Patent No.:** **US D517,009 S**  
**Xiao** (45) **Date of Patent:** **\*\* Mar. 14, 2006**

(54) **INVERTER GENERATOR**

(75) Inventor: **Henglin Xiao, Wuxi (CN)**

(73) Assignee: **Wuxi Kipor Power Co., Ltd., Wuxi (CN)**

(\*\*) Term: **14 Years**

(21) Appl. No.: **29/220,528**

(22) Filed: **Dec. 30, 2004**

**Related U.S. Application Data**

(62) Division of application No. 29/211,408, filed on Aug. 16, 2004.

(30) **Foreign Application Priority Data**

Mar. 10, 2004 (CN) ..... 2004300207517  
Mar. 10, 2004 (CN) ..... 200430020749X

(51) **LOC (8) Cl.** ..... **13-01**

(52) **U.S. Cl.** ..... **D13/116**

(58) **Field of Classification Search** ..... D13/101,  
D13/107, 110, 112, 114, 184, 199; 307/150,  
307/151; 320/114

See application file for complete search history.

*Primary Examiner*—Stella Reid

*Assistant Examiner*—Daniel Bui

(74) *Attorney, Agent, or Firm*—Kaplan & Gilman, LLP

(57) **CLAIM**

The ornamental design for an inverter generator, as shown and described.

**DESCRIPTION**

FIG. 1 is a perspective view of an inverter generator showing my new design;

FIG. 2 is a front view thereof;

FIG. 3 is a rear view thereof;

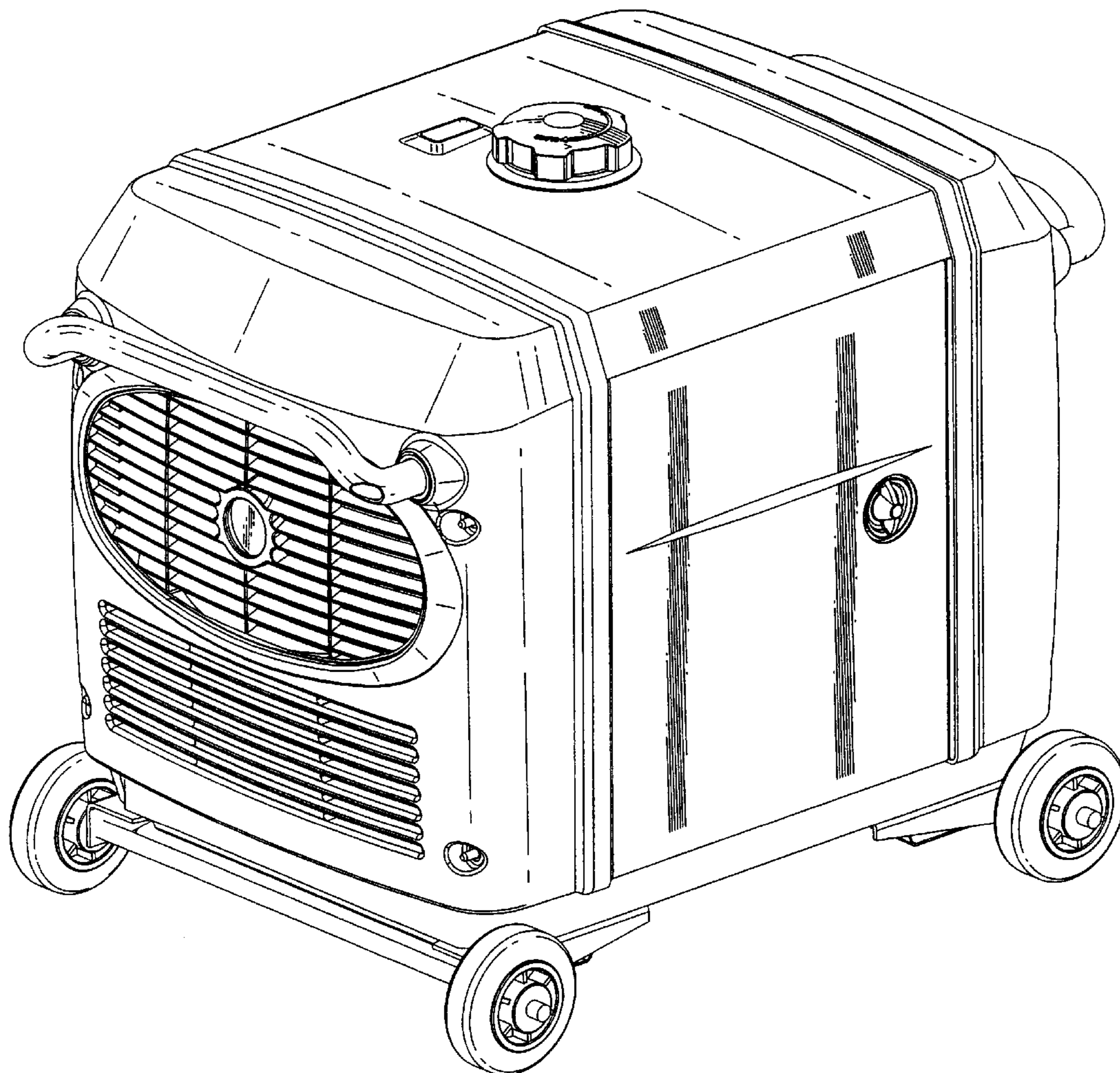
FIG. 4 is a top view thereof;

FIG. 5 is a bottom view thereof;

FIG. 6 is a left-side view thereof; and,

FIG. 7 is a right-side view thereof.

**1 Claim, 7 Drawing Sheets**



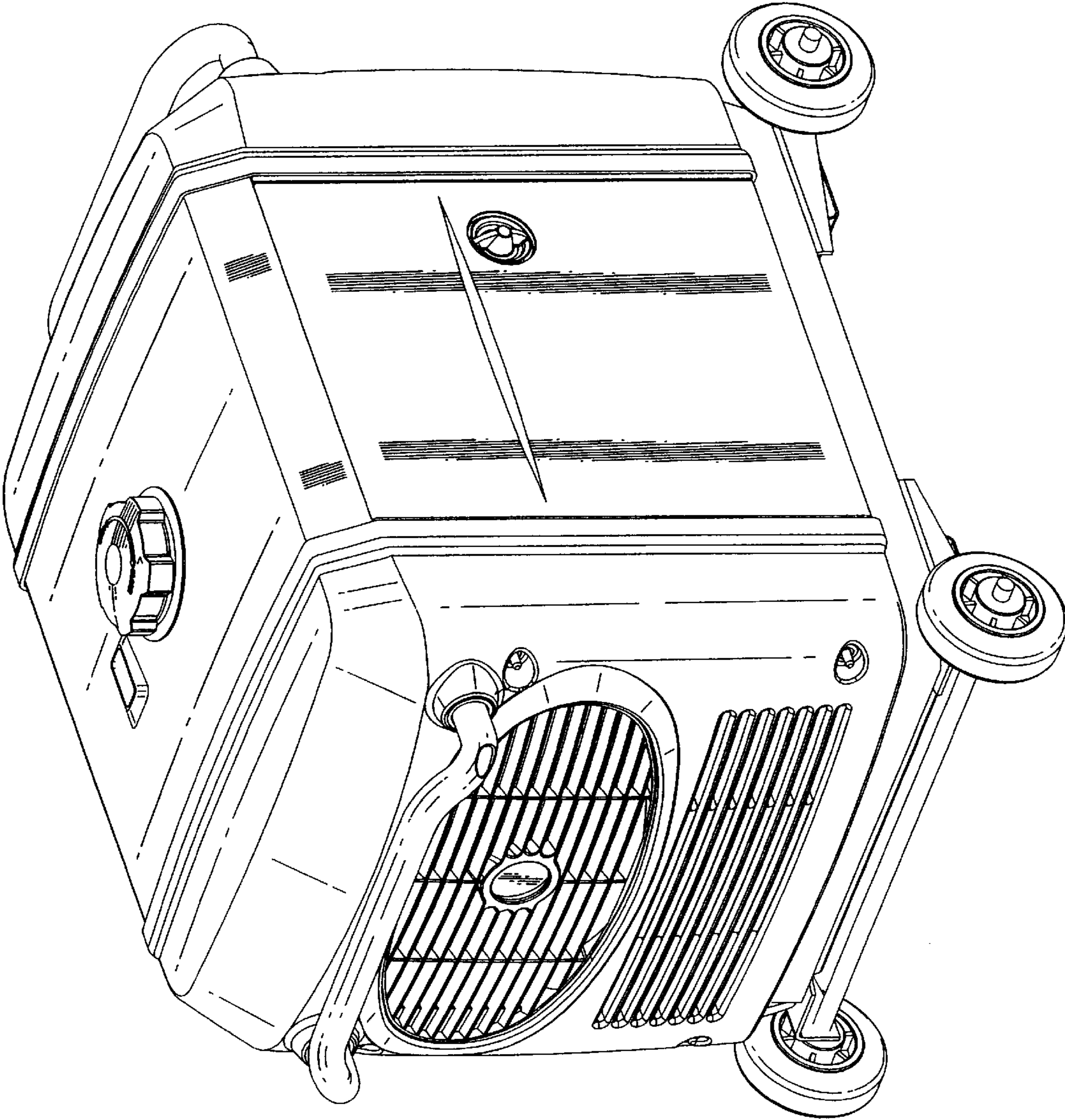


FIG. 1

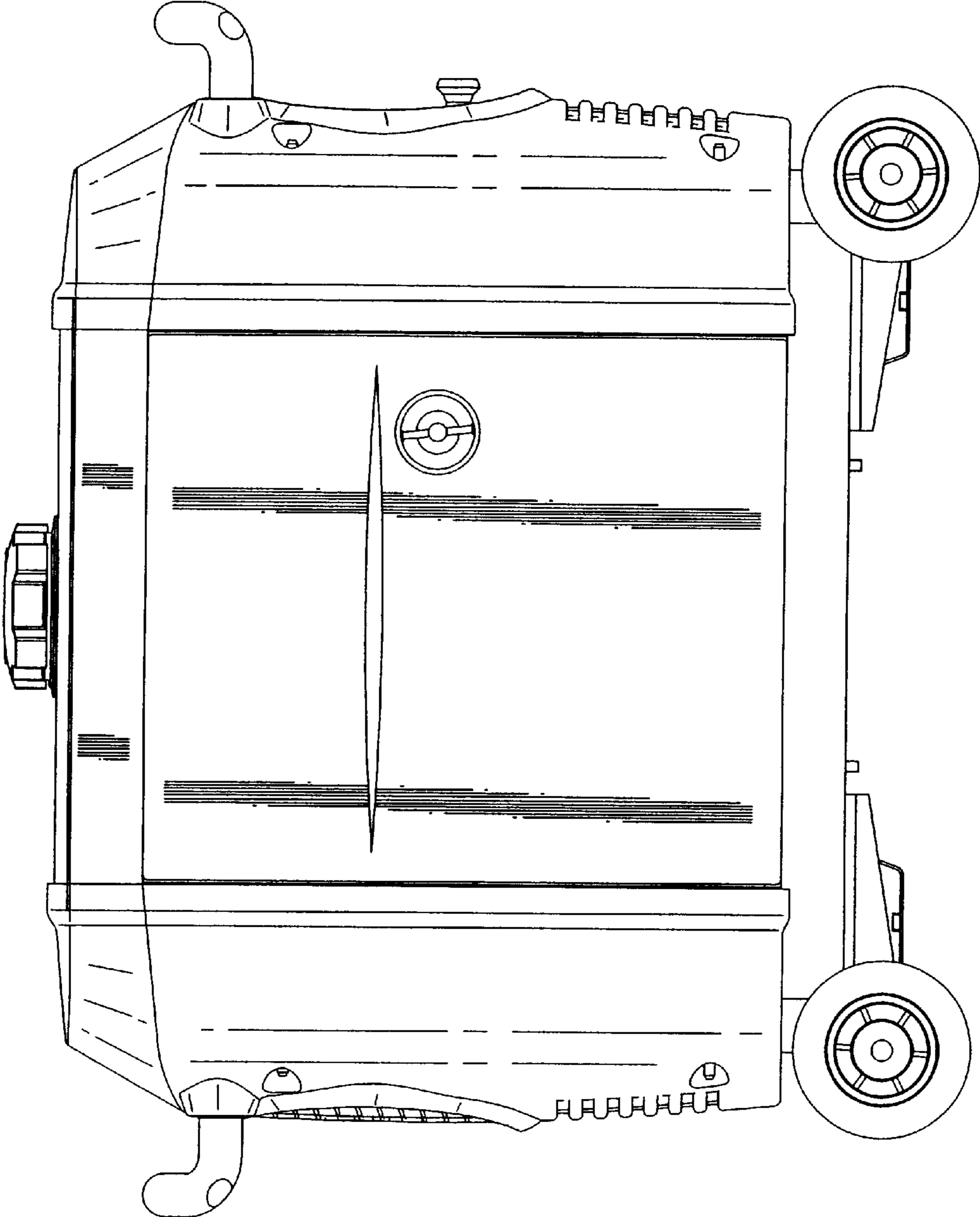


FIG. 2

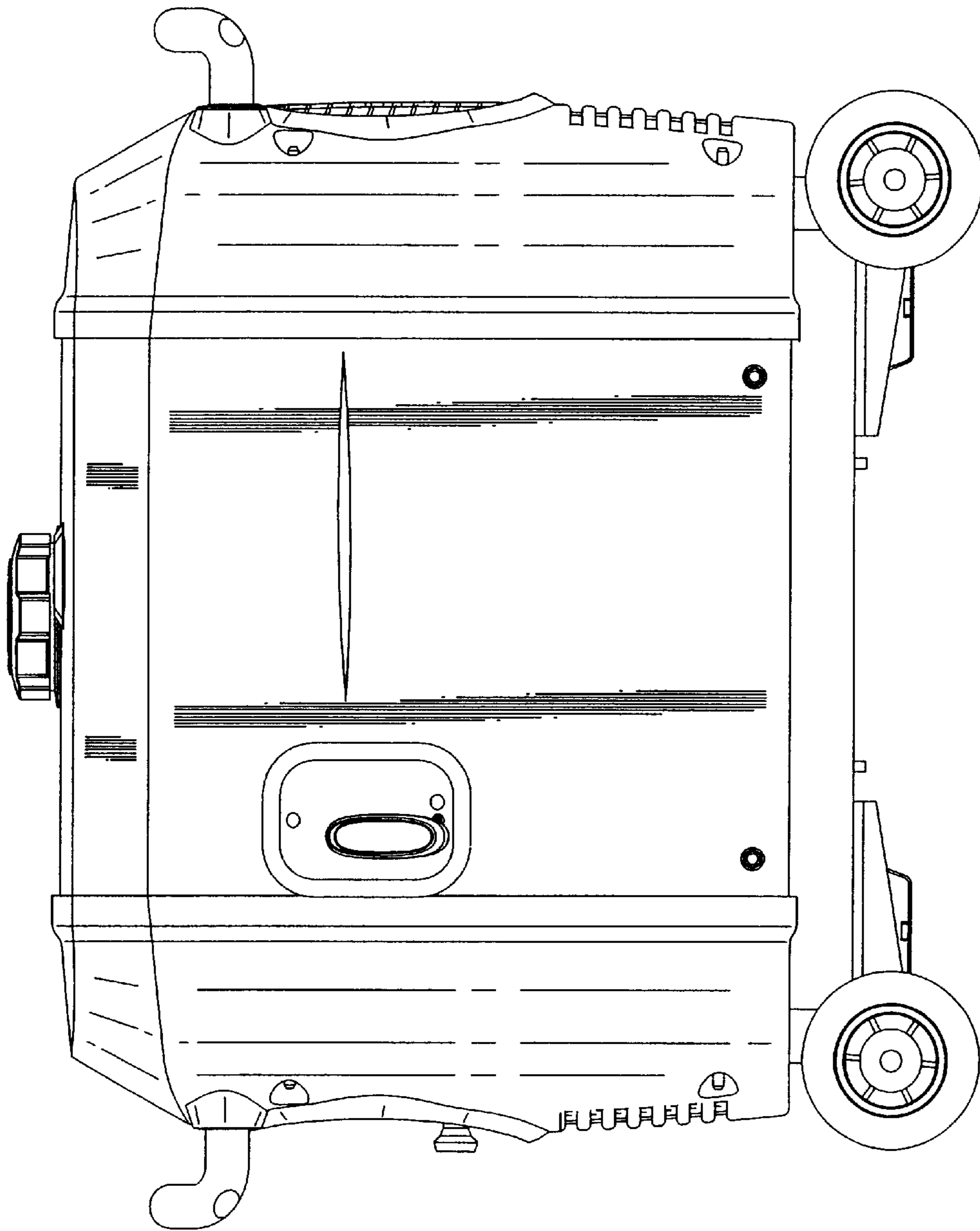


FIG. 3

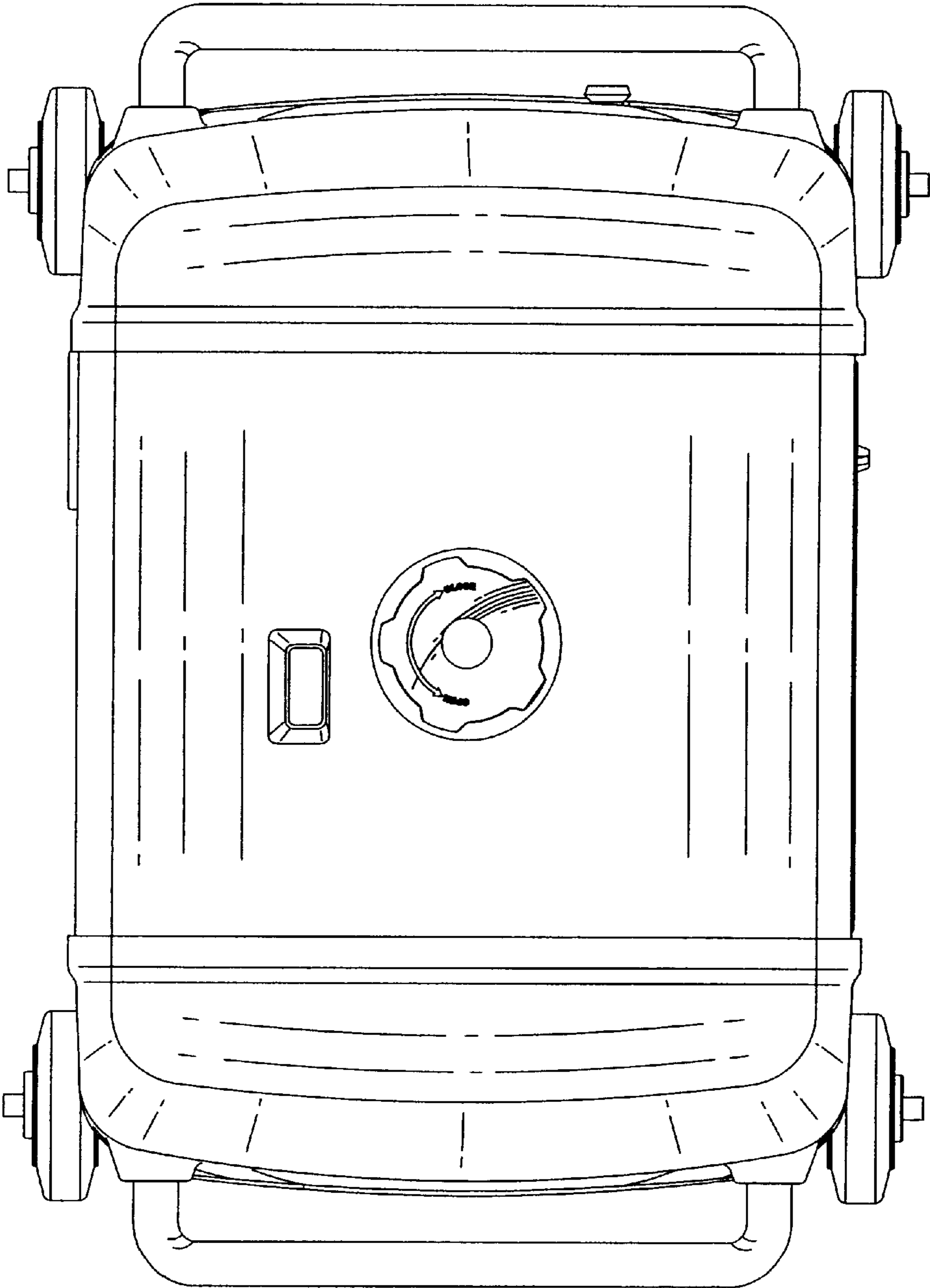


FIG. 4

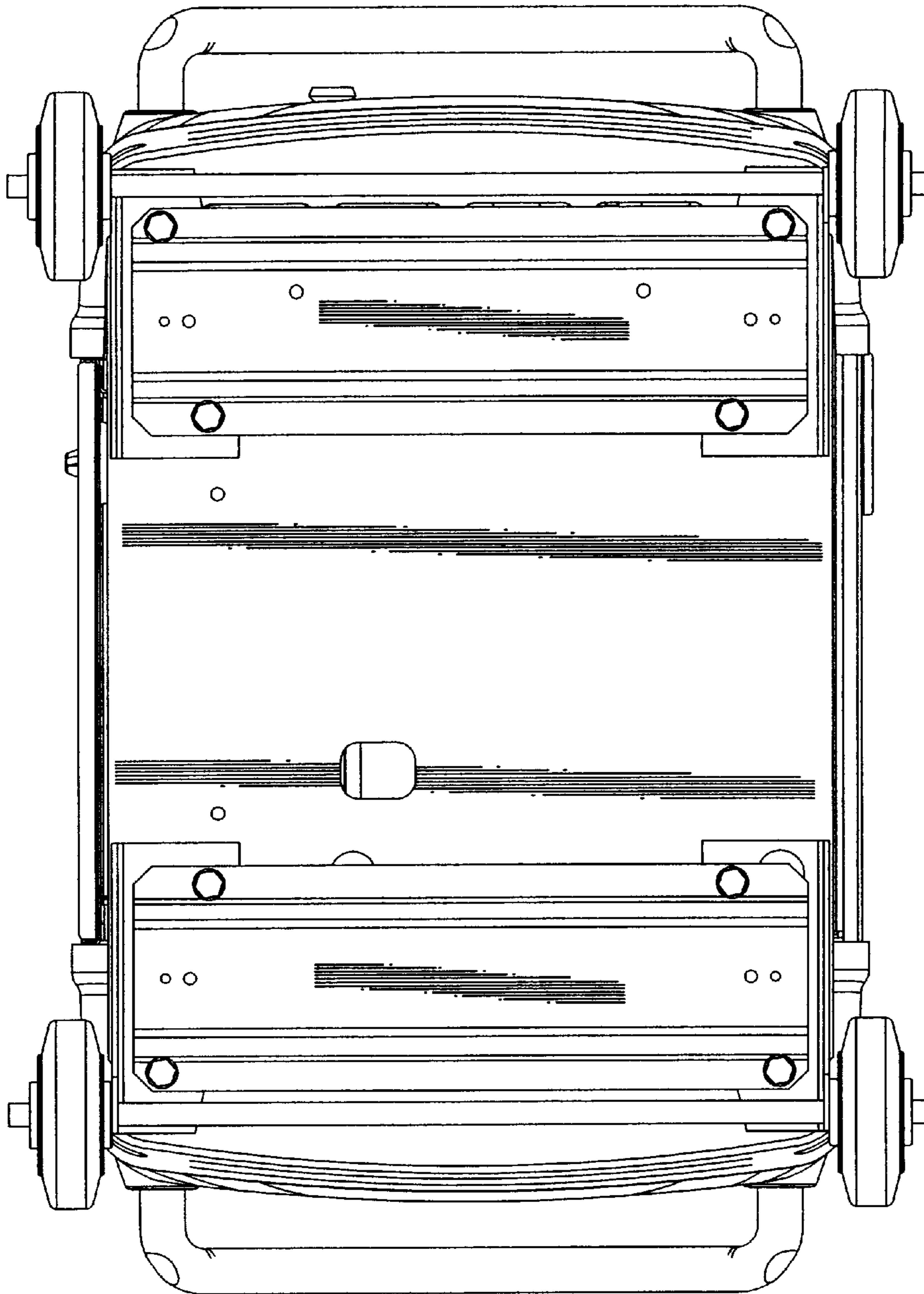


FIG. 5

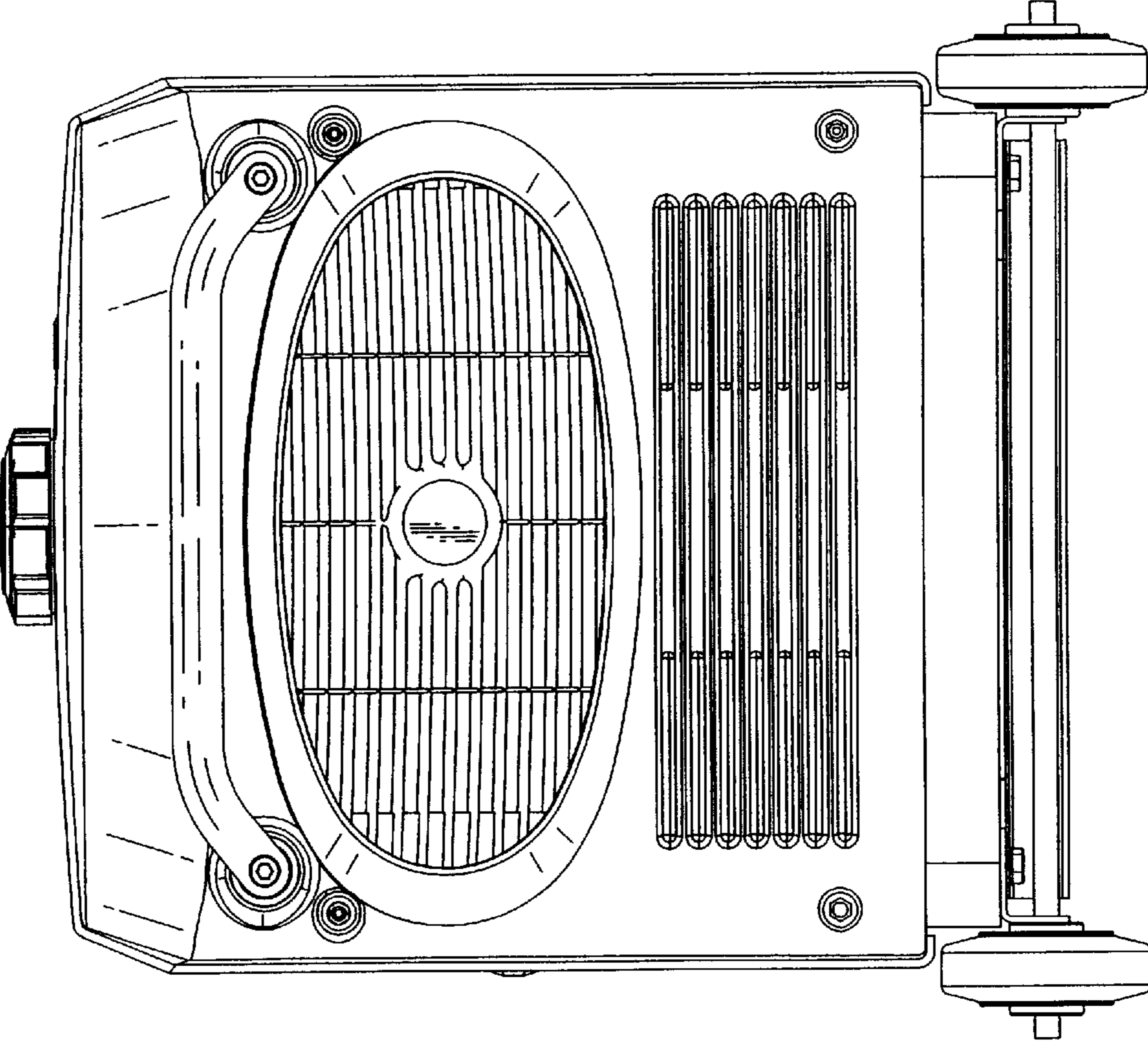


FIG. 6

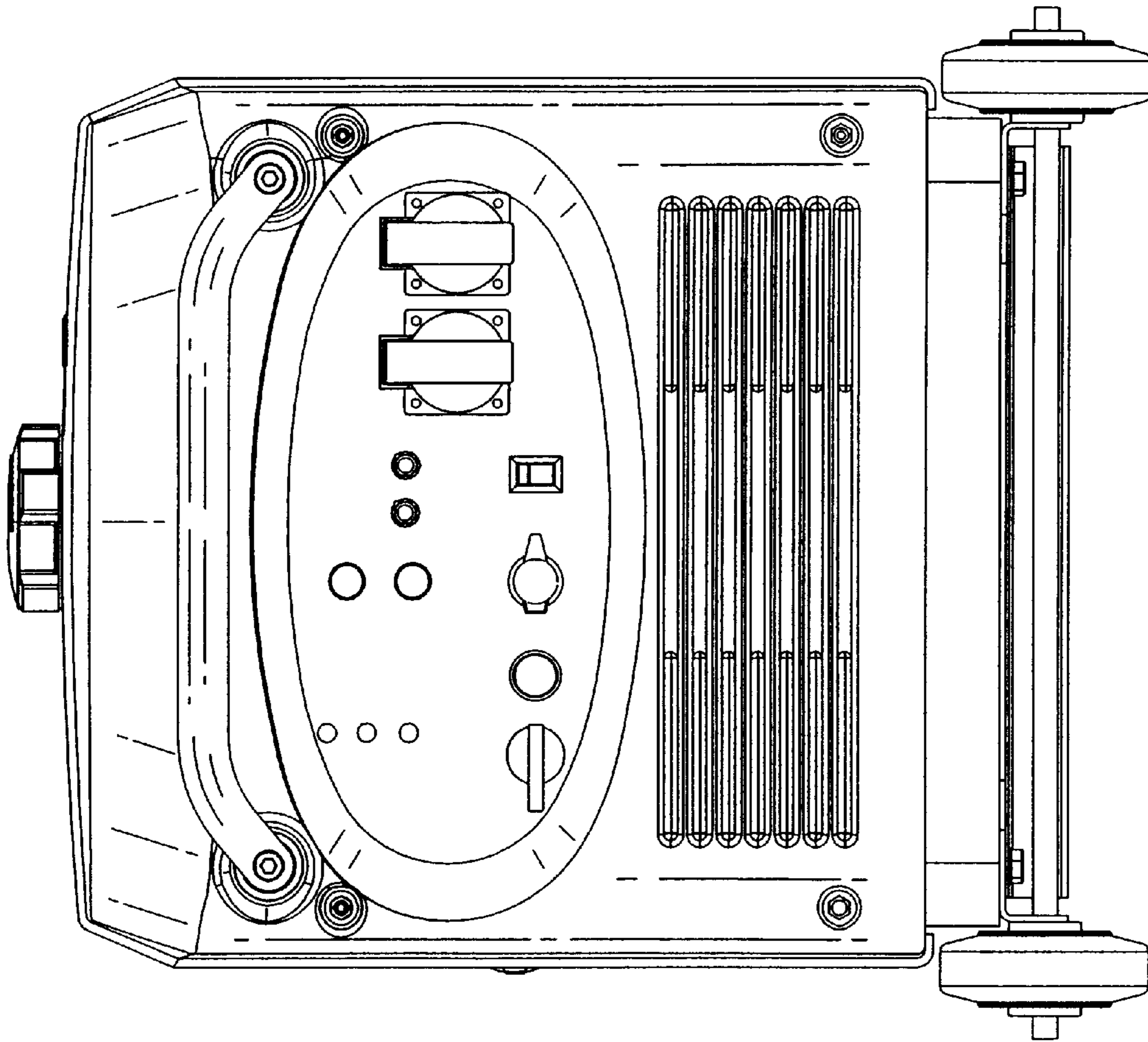


FIG. 7