



US00D517007S

(12) **United States Design Patent**
Yong-Jian et al.

(10) **Patent No.:** **US D517,007 S**
(45) **Date of Patent:** **** Mar. 14, 2006**

(54) **PORTABLE ELECTRICAL CHARGER**

D453,155 S * 1/2002 Michel D14/253
D486,492 S * 2/2004 Sheu et al. D14/434

(75) Inventors: **Tian Yong-Jian**, Taipei (TW); **Cao Zheng-Fang**, Taipei (TW)

* cited by examiner

(73) Assignee: **Advanced Connectek, Inc.**, Taipei (TW)

Primary Examiner—Alan P. Douglas
Assistant Examiner—Rosemary Tarca
(74) *Attorney, Agent, or Firm*—Johnson, Lin & Associates, PC; Chauncey B. Johnson, Esq.

(**) Term: **14 Years**

(57) **CLAIM**

(21) Appl. No.: **29/214,801**

The ornamental design for a portable electrical charger, as shown and described.

(22) Filed: **Oct. 12, 2004**

(30) **Foreign Application Priority Data**

DESCRIPTION

Jul. 16, 2004 (TW) 93304186

FIG. 1 is a perspective view of a portable electrical charger showing our new design;

(51) **LOC (8) Cl.** **13-02**

FIG. 2 is a front view of the portable electrical charger shown in FIG. 1;

(52) **U.S. Cl.** **D13/108**

FIG. 3 is a rear view of the portable electrical charger shown in FIG. 1;

(58) **Field of Classification Search** D13/107-110,
D13/118-119, 184; D14/251, 253, 432, 434;
320/107-115

FIG. 4 is a left view of the portable electrical charger shown in FIG. 1;

See application file for complete search history.

FIG. 5 is a right view of the portable electrical charger shown in FIG. 1;

(56) **References Cited**

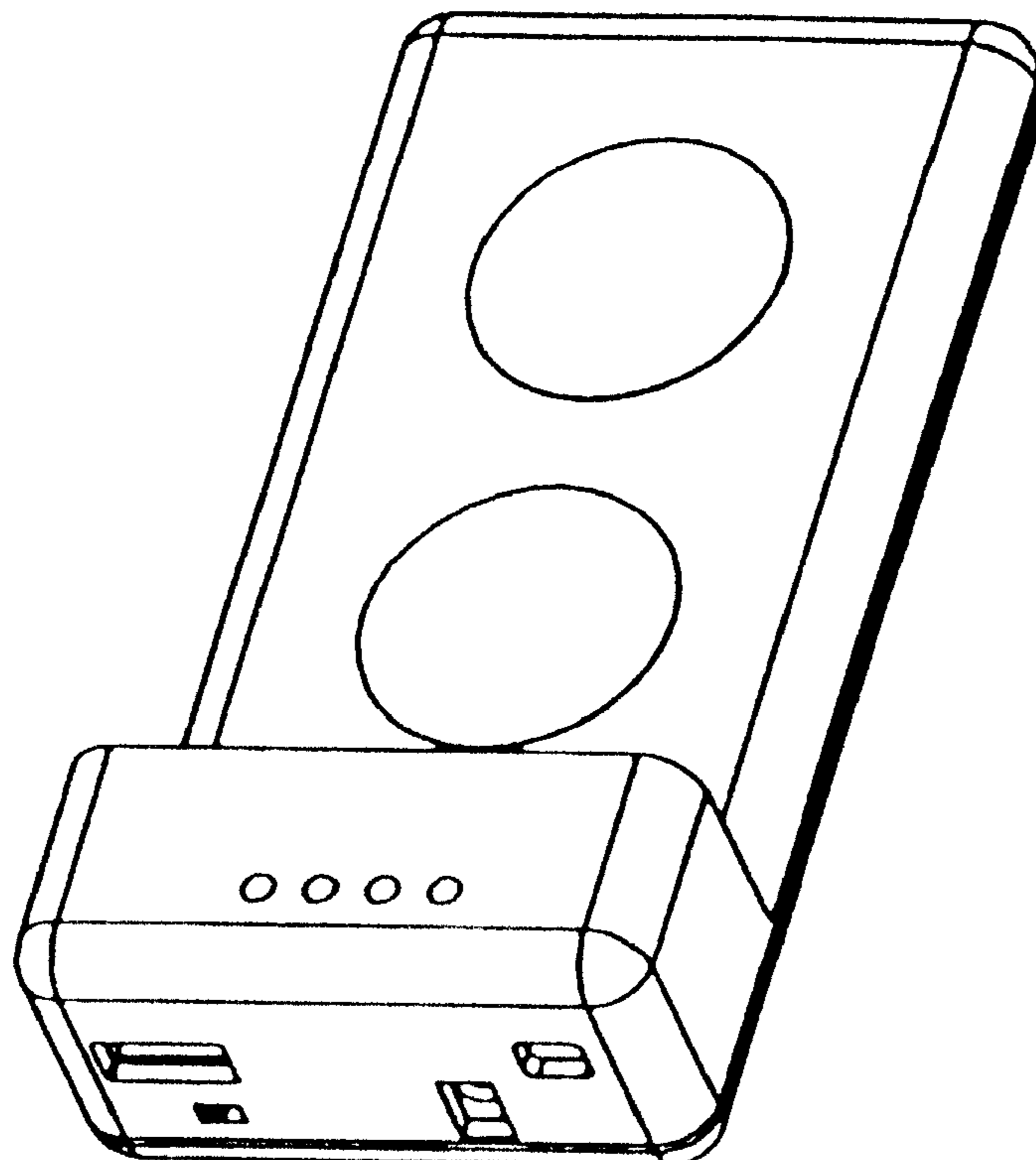
U.S. PATENT DOCUMENTS

D336,287 S * 6/1993 Mizusugi et al. D14/434
5,317,247 A * 5/1994 Chong et al. 320/112
5,689,413 A * 11/1997 Jaramillo et al. 363/146
5,834,919 A * 11/1998 Liu 320/111

FIG. 6 is a top view of the portable electrical charger shown in FIG. 1; and,

FIG. 7 is a bottom view of the portable electrical charger shown in FIG. 1.

1 Claim, 4 Drawing Sheets



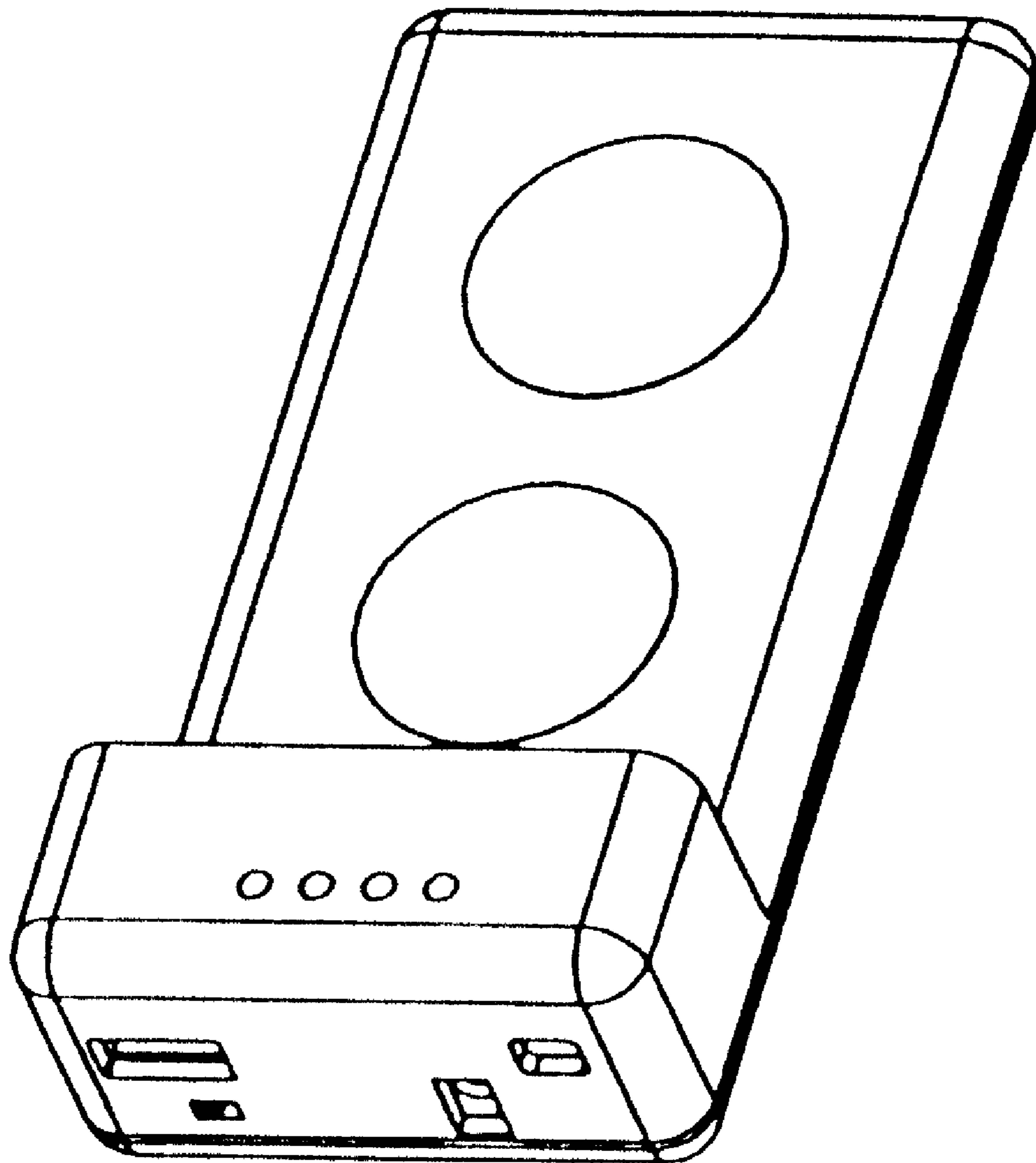


FIG. 1

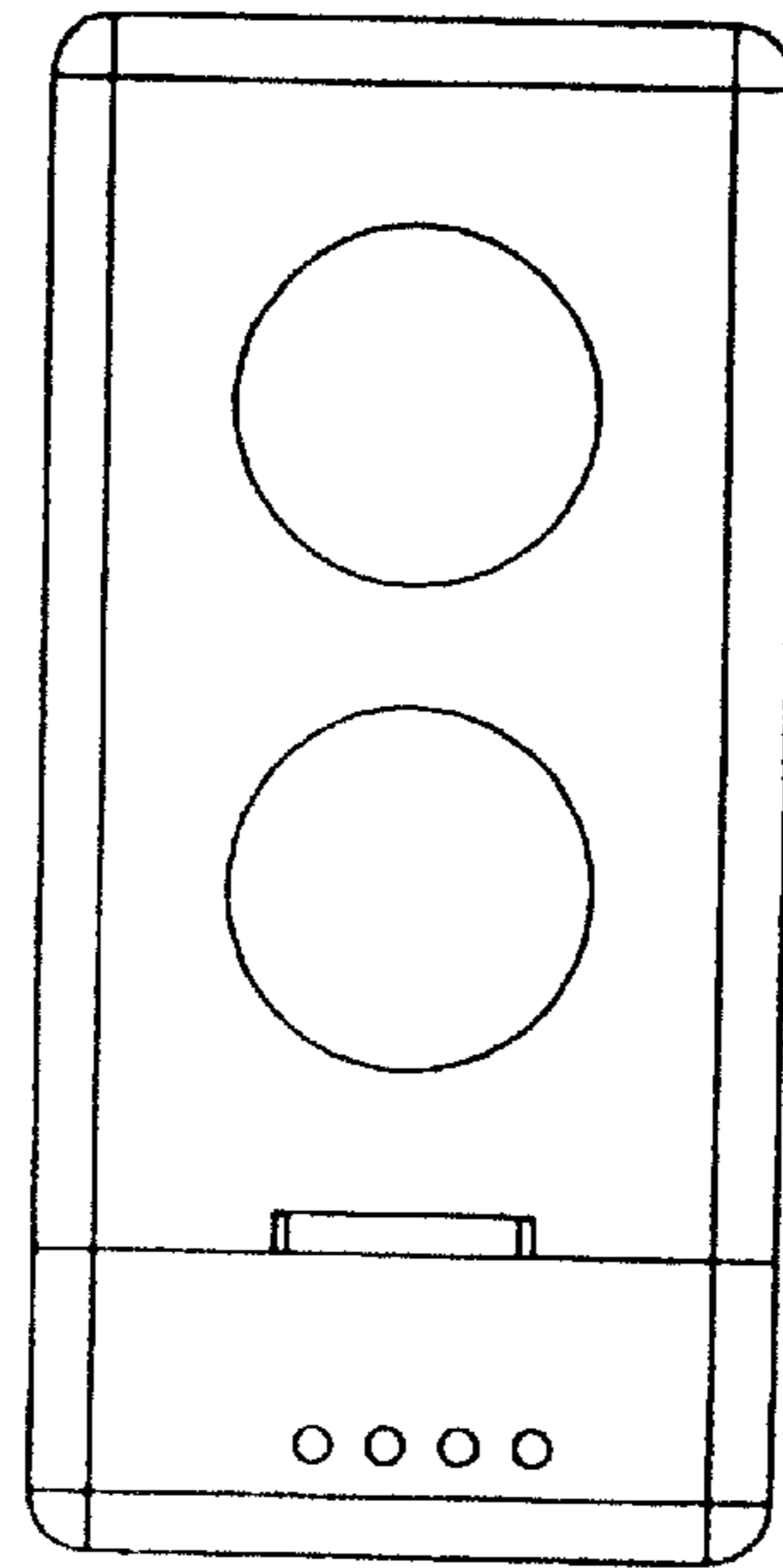


FIG.2

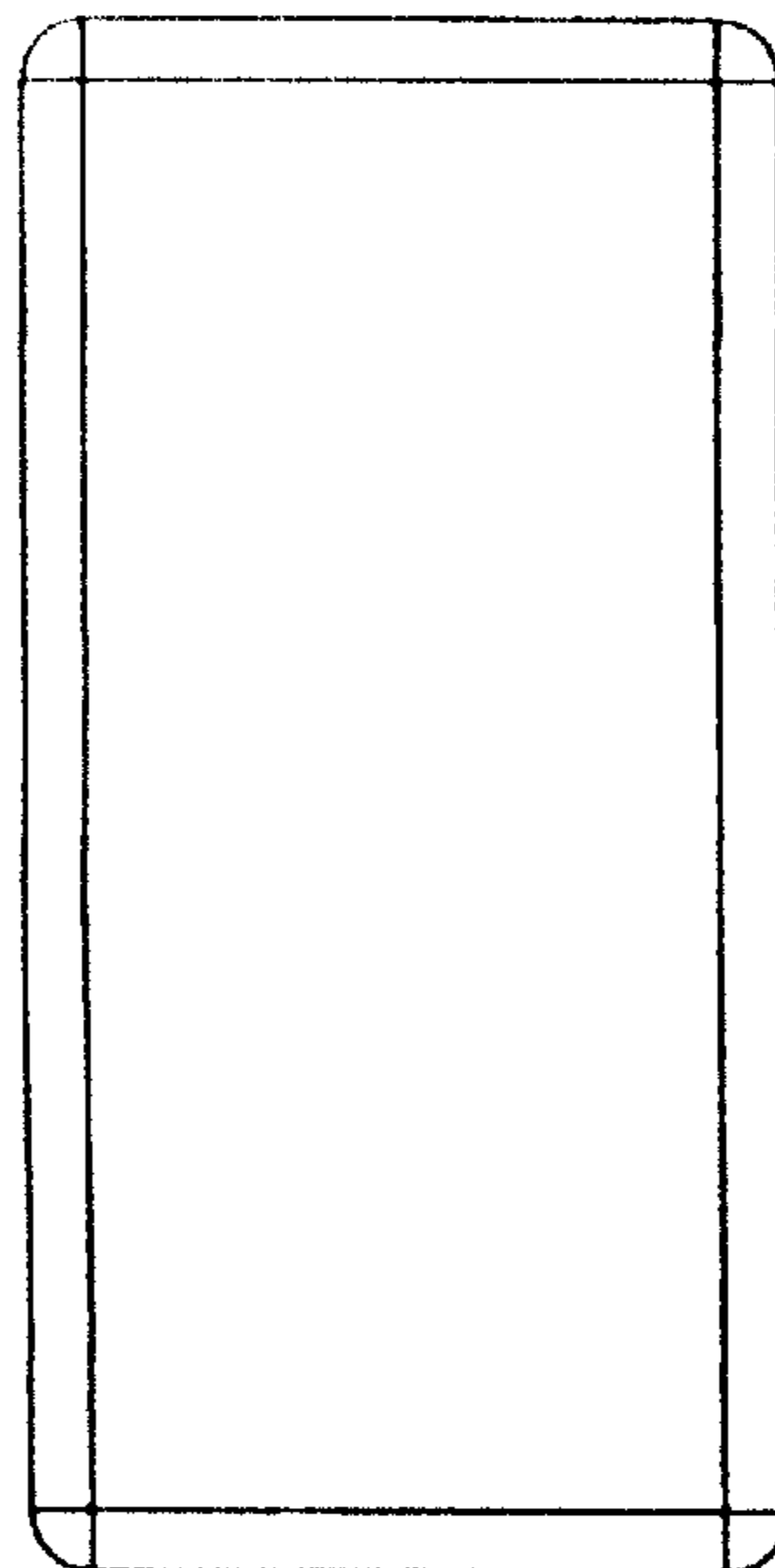


FIG.3

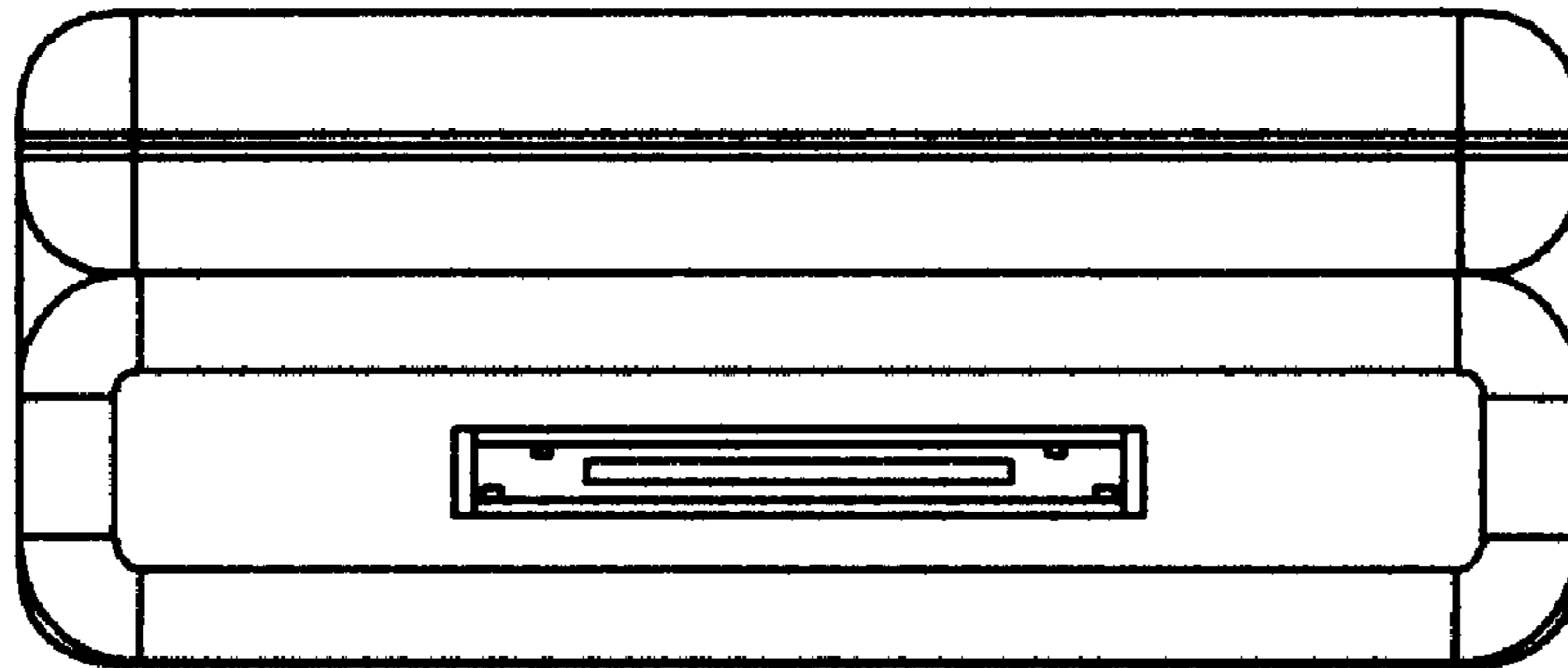


FIG. 4

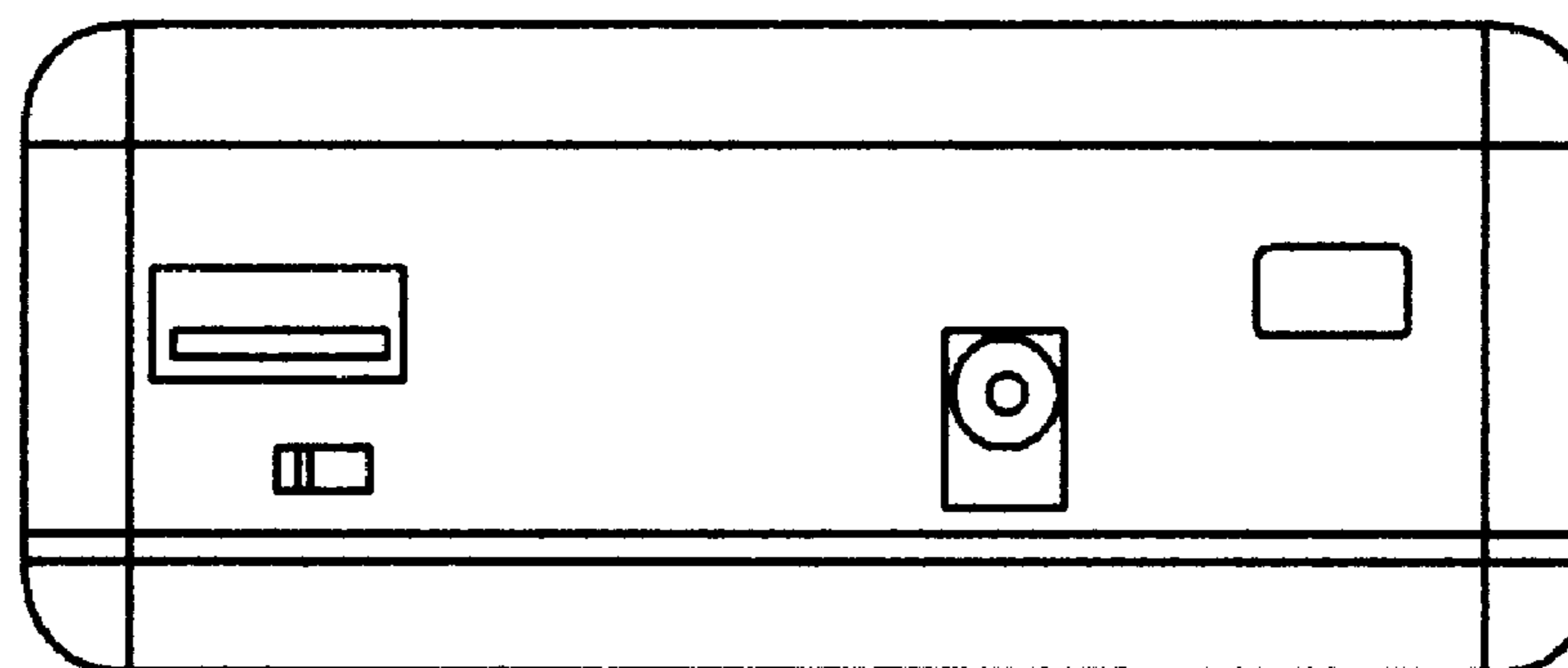


FIG. 5

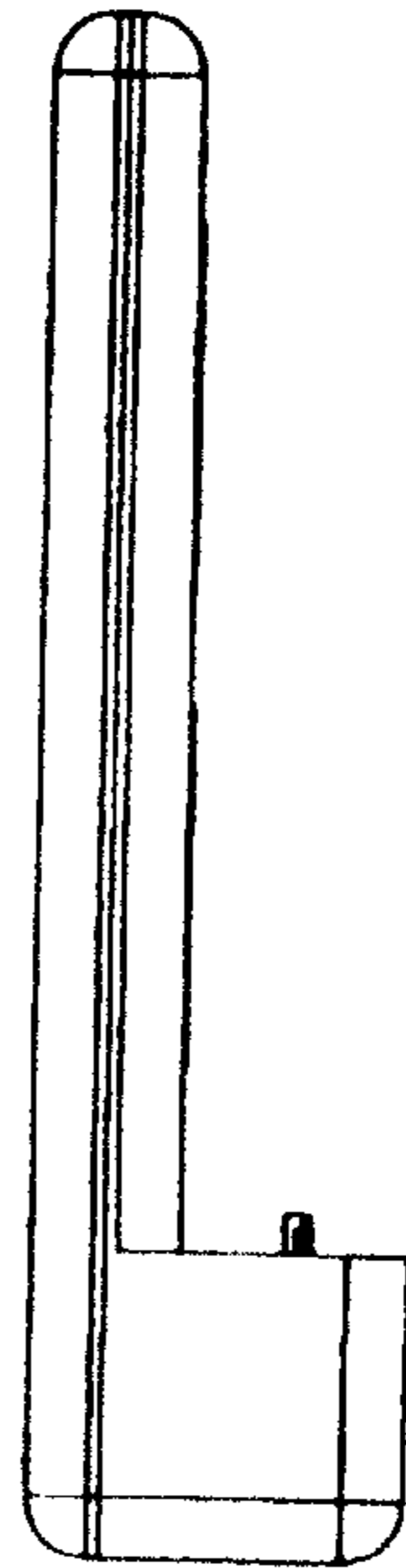


FIG.6

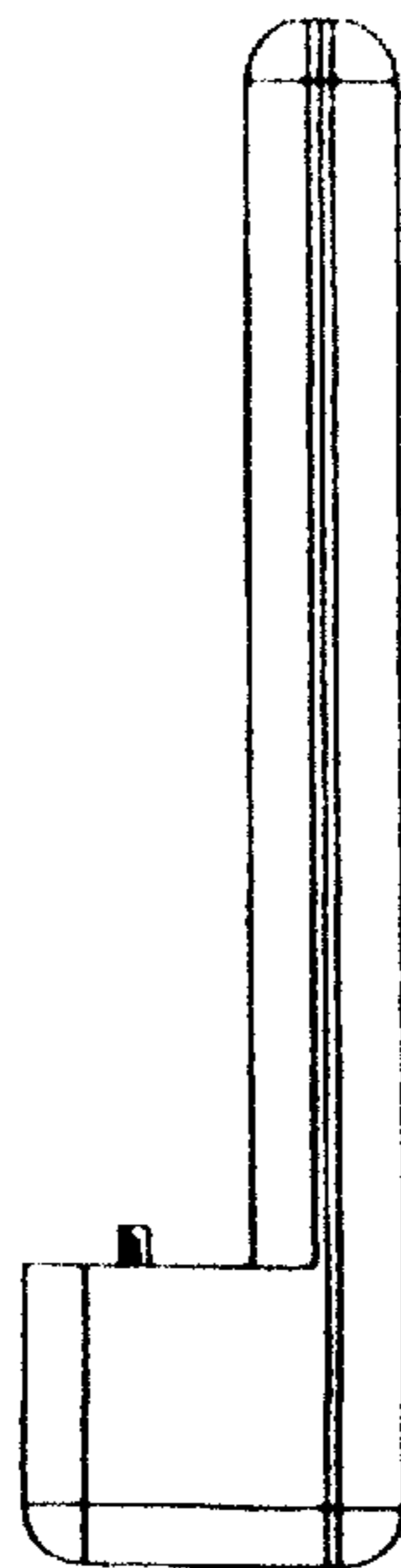


FIG.7