



US00D517006S

(12) **United States Design Patent**
Bessmertny

(10) **Patent No.:** **US D517,006 S**

(45) **Date of Patent:** **** Mar. 14, 2006**

(54) **SOLAR-POWERED FLOW CONTROLLER**

(76) **Inventor:** **Raymond L. Bessmertny**, 132 Mildred St., Lafayette, LA (US) 70506

(**) **Term:** **14 Years**

(21) **Appl. No.:** **29/228,734**

(22) **Filed:** **Apr. 28, 2005**

(51) **LOC (8) Cl.** **13-02**

(52) **U.S. Cl.** **D13/102**

(58) **Field of Classification Search** D13/101-107,
D13/119, 184, 199; 136/243-251, 256, 259,
136/291-292; 52/173.1, 200, 204.1
See application file for complete search history.

(56) **References Cited**

U.S. PATENT DOCUMENTS

D243,185 S	*	1/1977	Parker et al.	D13/102
4,324,227 A	*	4/1982	Mountain	126/583
D279,214 S	*	6/1985	Hanson	D13/102
5,125,608 A	*	6/1992	McMaster et al.	248/163.1
D329,694 S	*	9/1992	Wimberly	D23/373
D391,632 S	*	3/1998	Thomas	D23/393
D391,921 S	*	3/1998	Zimmer et al.	D13/102
D400,163 S	*	10/1998	Lam	D13/107

D487,884 S	*	3/2004	Peress et al.	D13/102
2004/0128923 A1	*	7/2004	Moulder et al.	52/173.1
2005/0178078 A1	*	8/2005	Valentz et al.	52/200

* cited by examiner

Primary Examiner—Stella Reid

Assistant Examiner—Daniel Bui

(74) *Attorney, Agent, or Firm*—Stephen R. Greiner

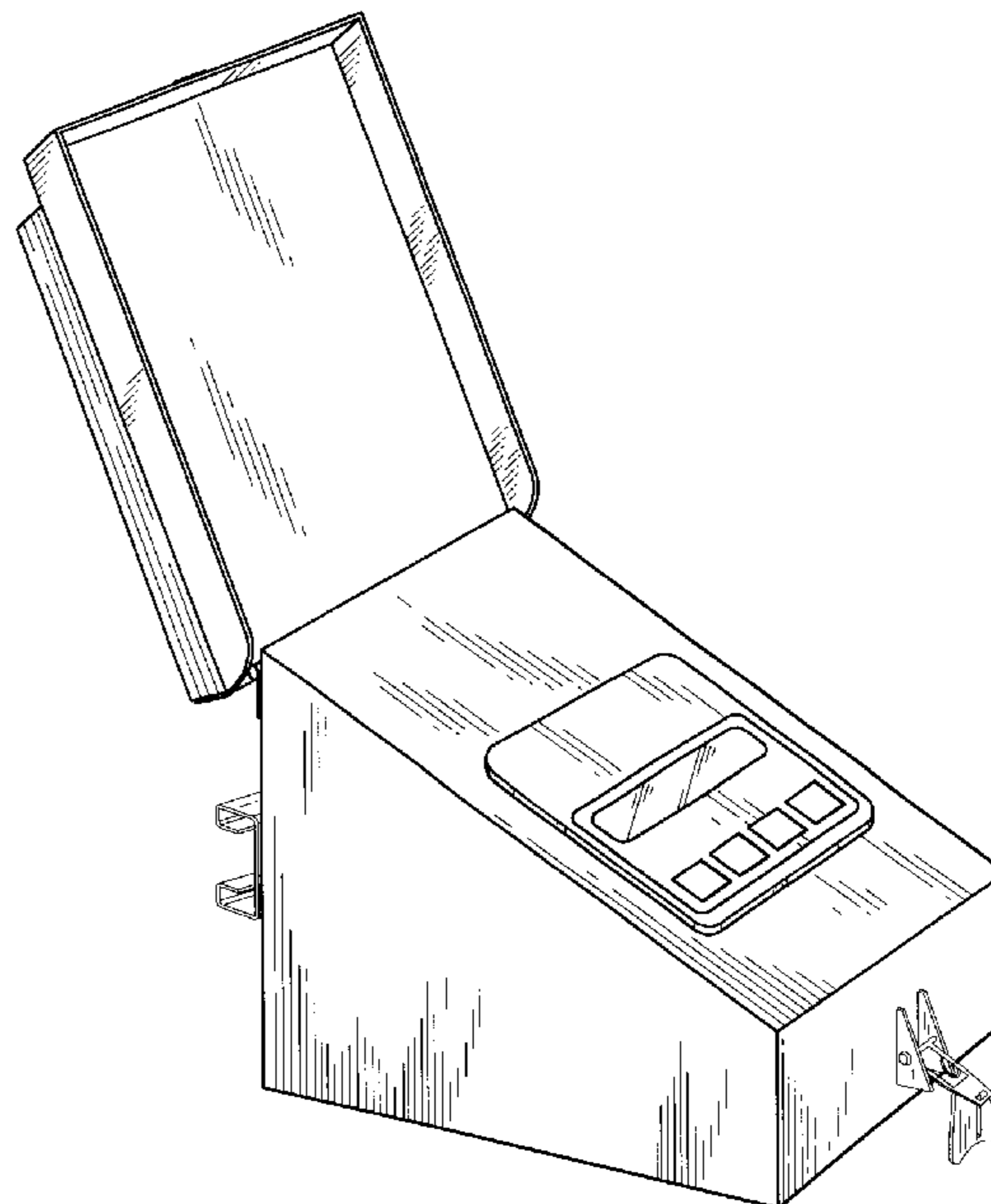
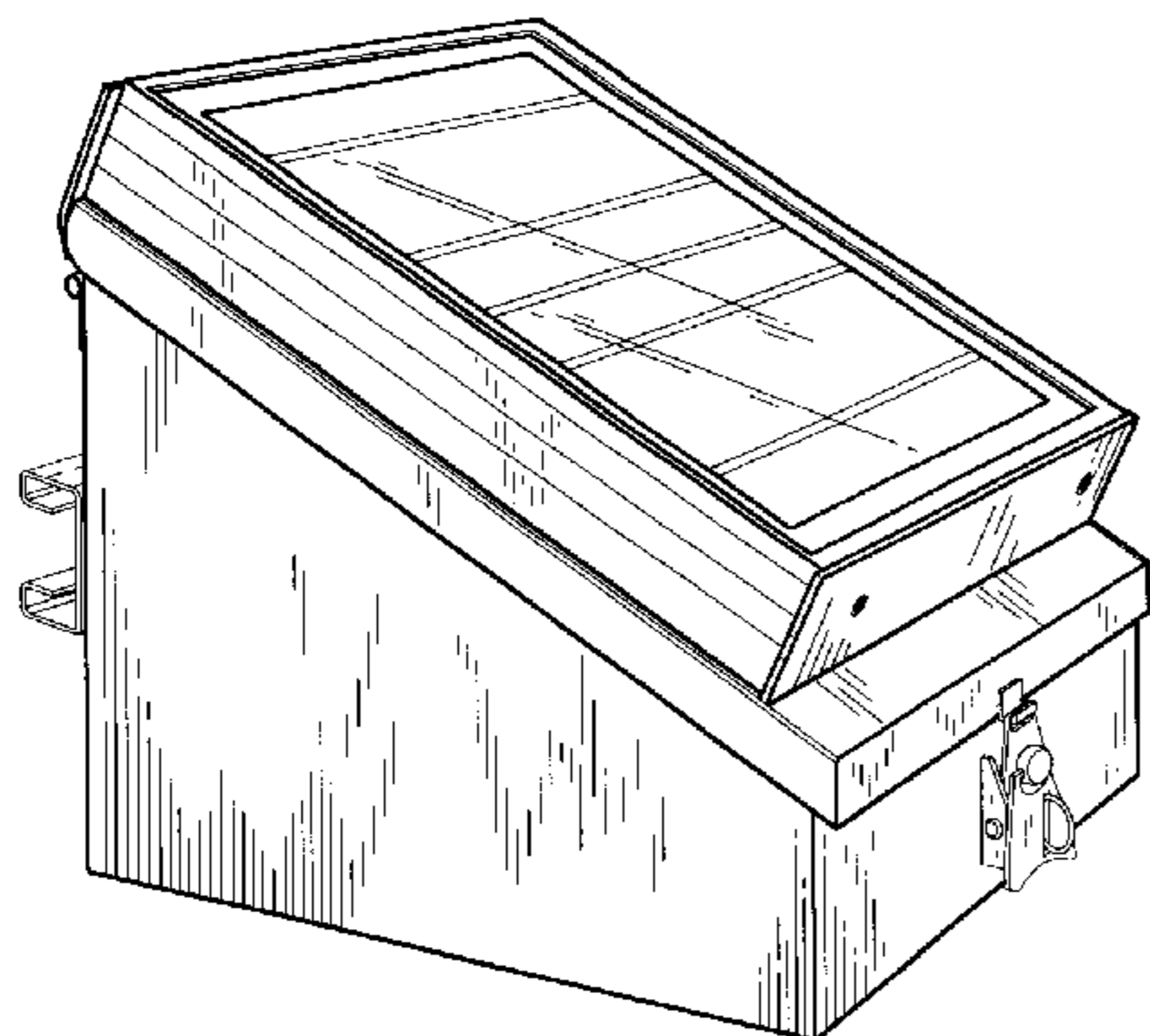
(57) **CLAIM**

The ornamental design for a solar-powered flow controller, as shown and described.

DESCRIPTION

FIG. 1 is a top, front and left side perspective view of a solar-powered flow controller showing my new design; FIG. 2 is a rear perspective view thereof; FIG. 3 is a left side elevational view thereof with the right side being a mirror image; FIG. 4 is a front elevational view thereof; FIG. 5 is a rear elevational view thereof; FIG. 6 is a top view thereof; FIG. 7 is a bottom view thereof; and, FIG. 8 is a top, front and left side perspective view thereof, in an open position.

1 Claim, 4 Drawing Sheets



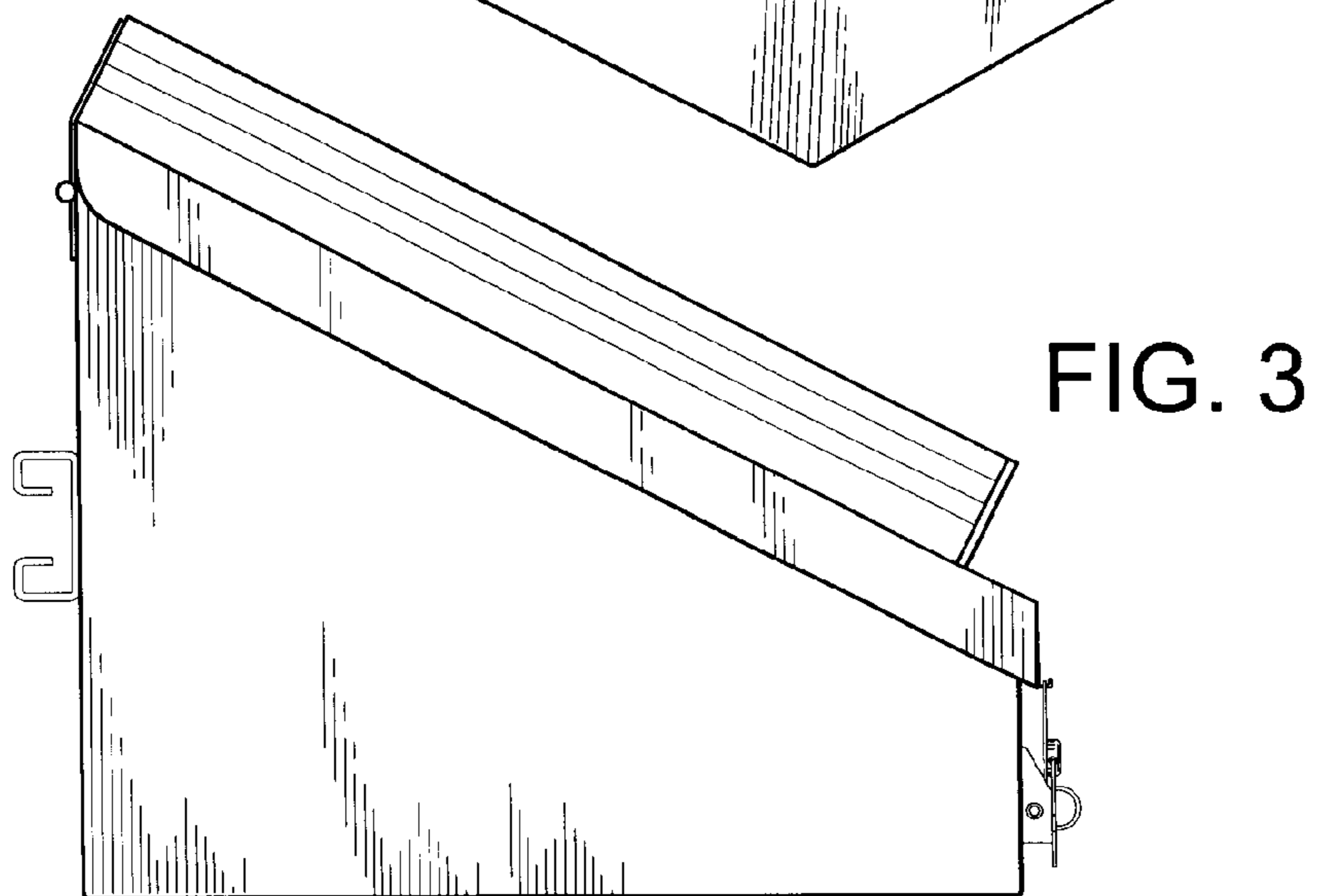
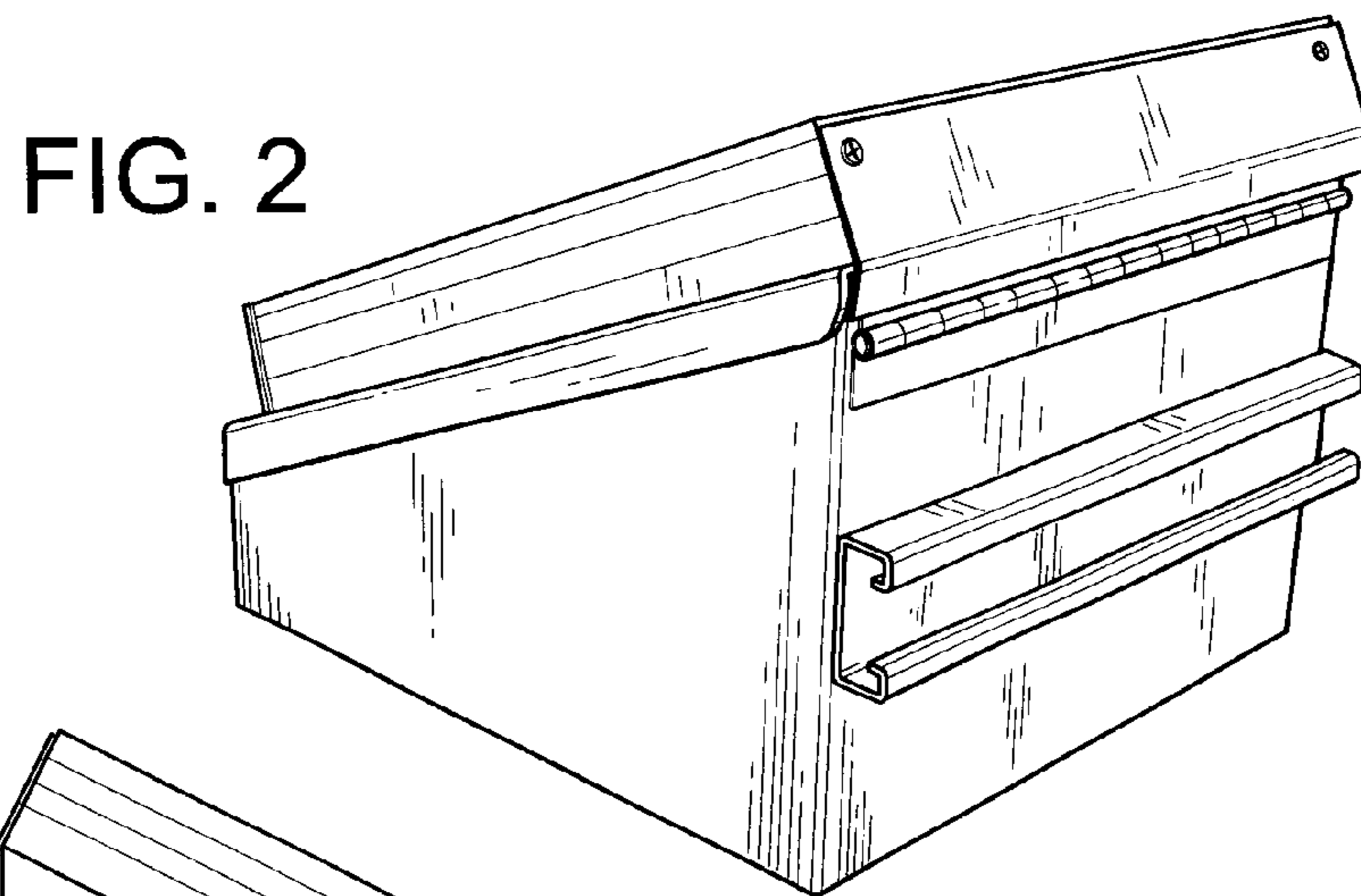
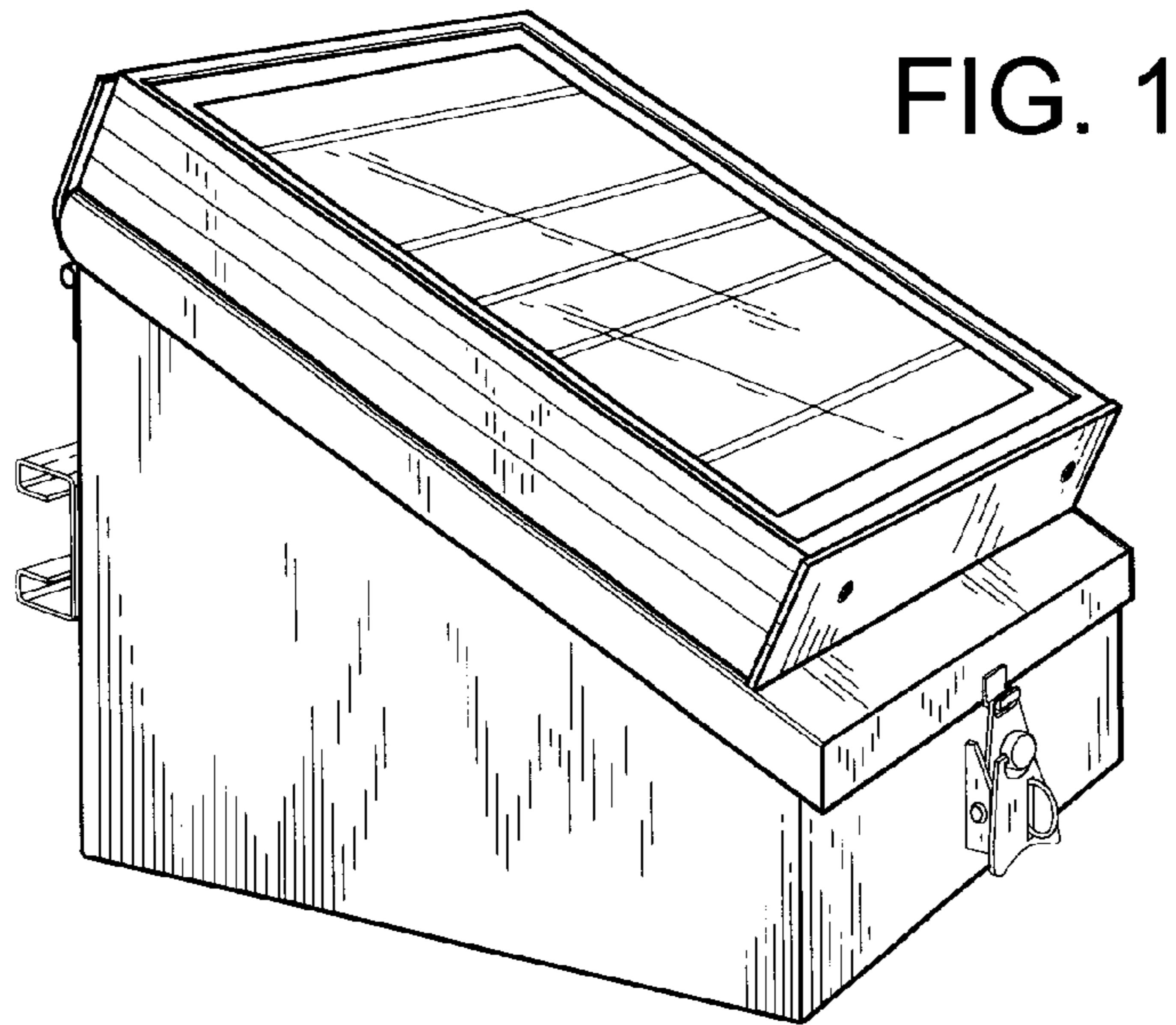


FIG. 4

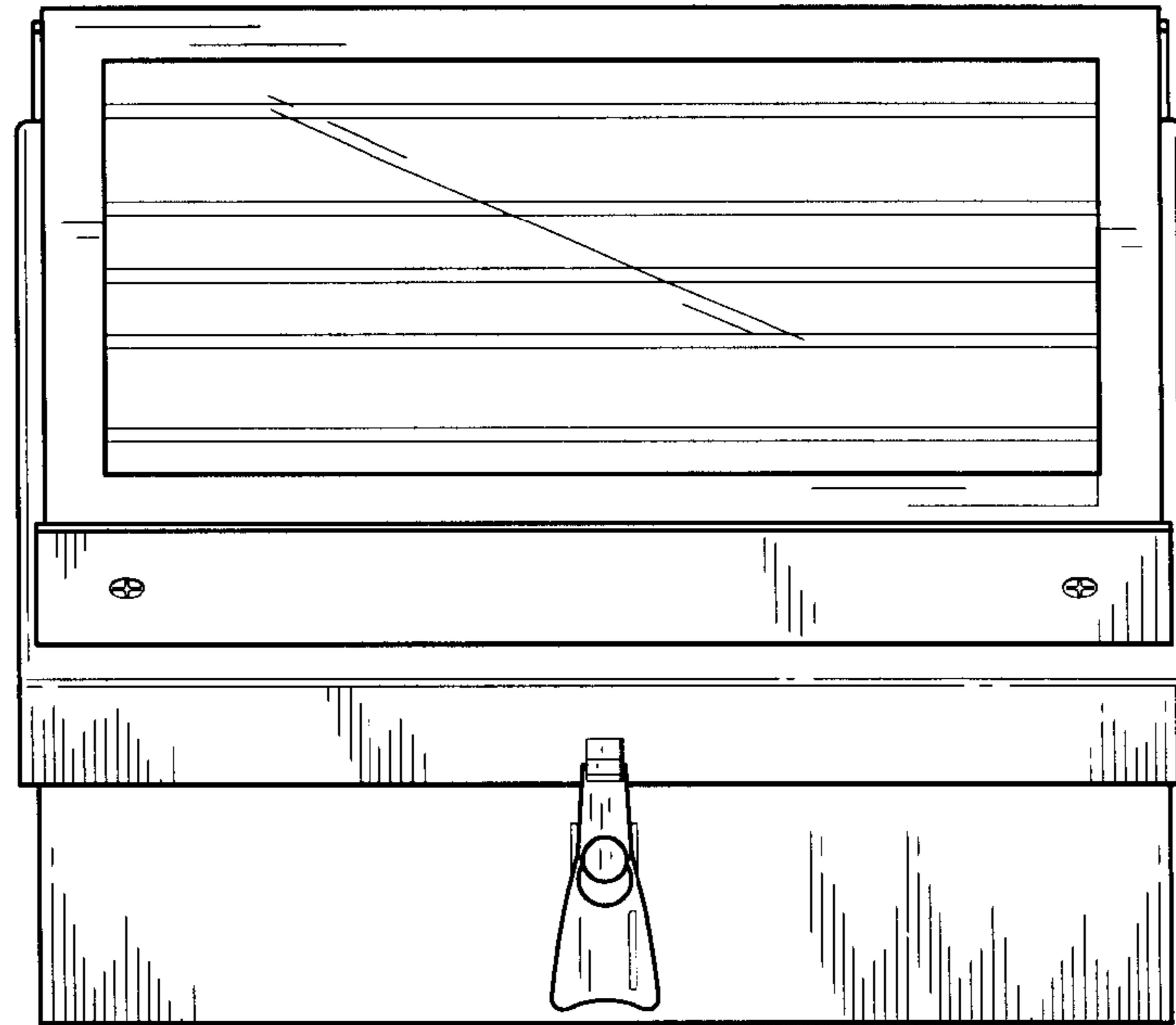


FIG. 5

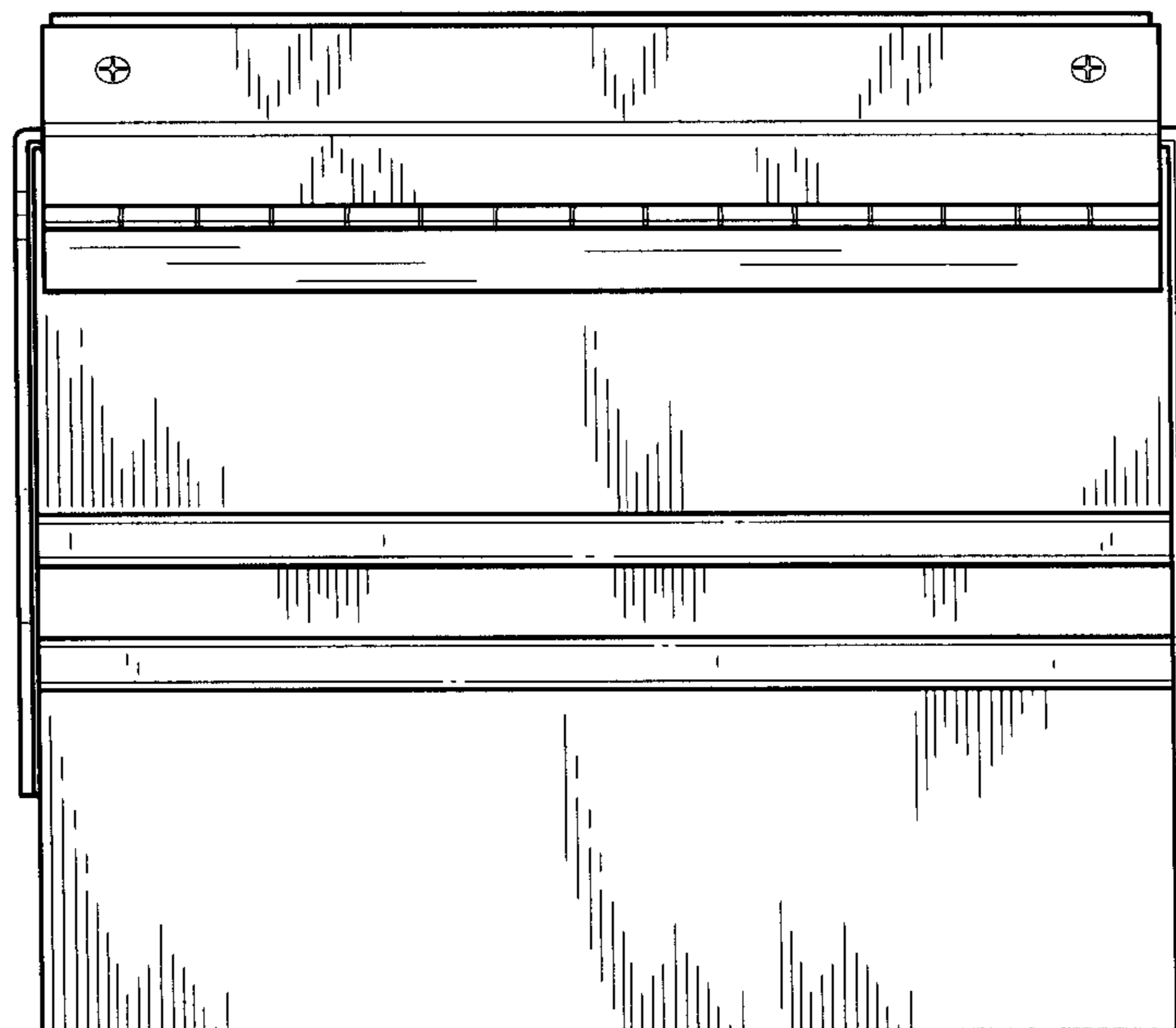


FIG. 6

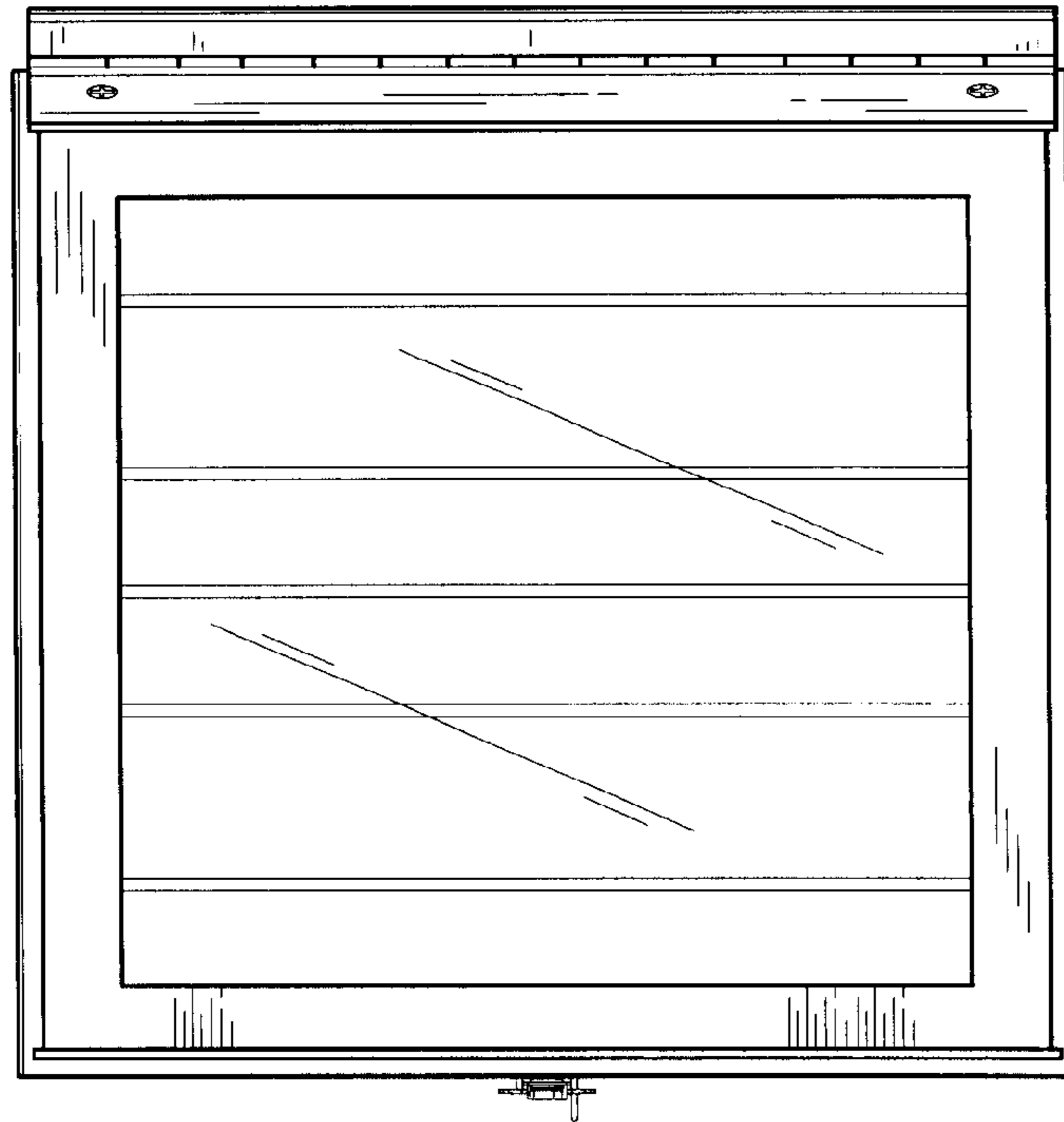


FIG. 7

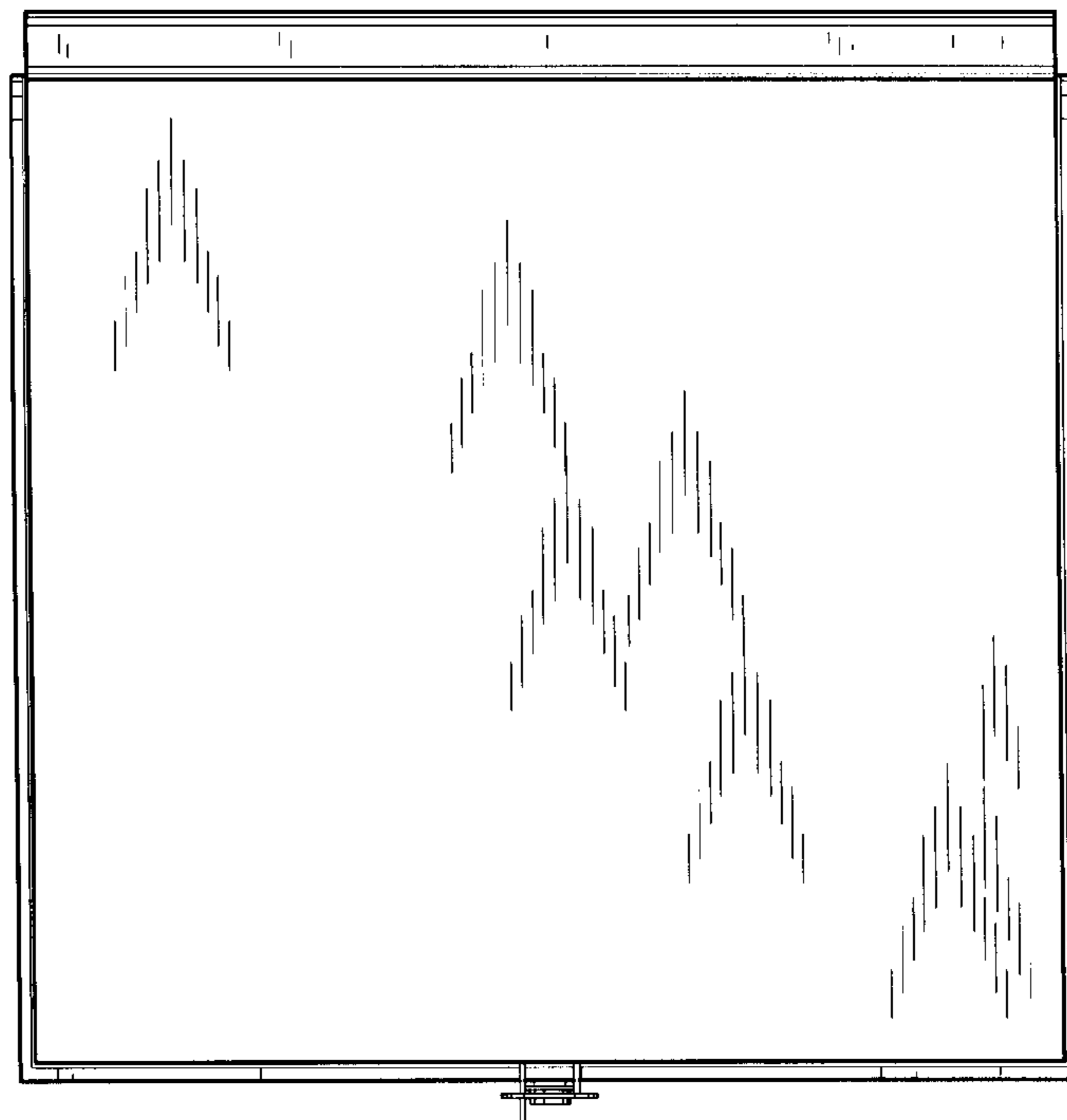


FIG. 8

