



US00D516996S

(12) **United States Design Patent**
Andrews

(10) **Patent No.:** **US D516,996 S**
(45) **Date of Patent:** **** Mar. 14, 2006**

(54) **CARPET ENGAGING VEHICLE CONTAINER HOLDER**

D473,760 S * 4/2003 Perez D7/620

* cited by examiner

(76) Inventor: **Michael L. Andrews**, 4805 Bristow Dr., Annandale, VA (US) 22003

Primary Examiner—Holly H. Baynham
(74) *Attorney, Agent, or Firm*—Carlson, Gaskey & Olds

(**) Term: **14 Years**

(57) **CLAIM**

(21) Appl. No.: **29/232,083**

I claim the ornamental design for the carpet engaging vehicle container holder, as shown and described.

(22) Filed: **Jun. 14, 2005**

DESCRIPTION

Related U.S. Application Data

(62) Division of application No. 11/023,190, filed on Dec. 27, 2004.

FIG. 1 is a general perspective view of a carpet engaging vehicle container holder designed according to the present invention;

(51) **LOC (8) Cl.** **12-16**

(52) **U.S. Cl.** **D12/420**

FIG. 2 is a general rear perspective view of a carpet engaging vehicle container holder designed according to the present invention;

(58) **Field of Classification Search** D12/420;
D7/620; 248/311.2

See application file for complete search history.

FIG. 3 is a general rear perspective view of a carpet engaging vehicle container holder designed according to the present invention; and,

(56) **References Cited**

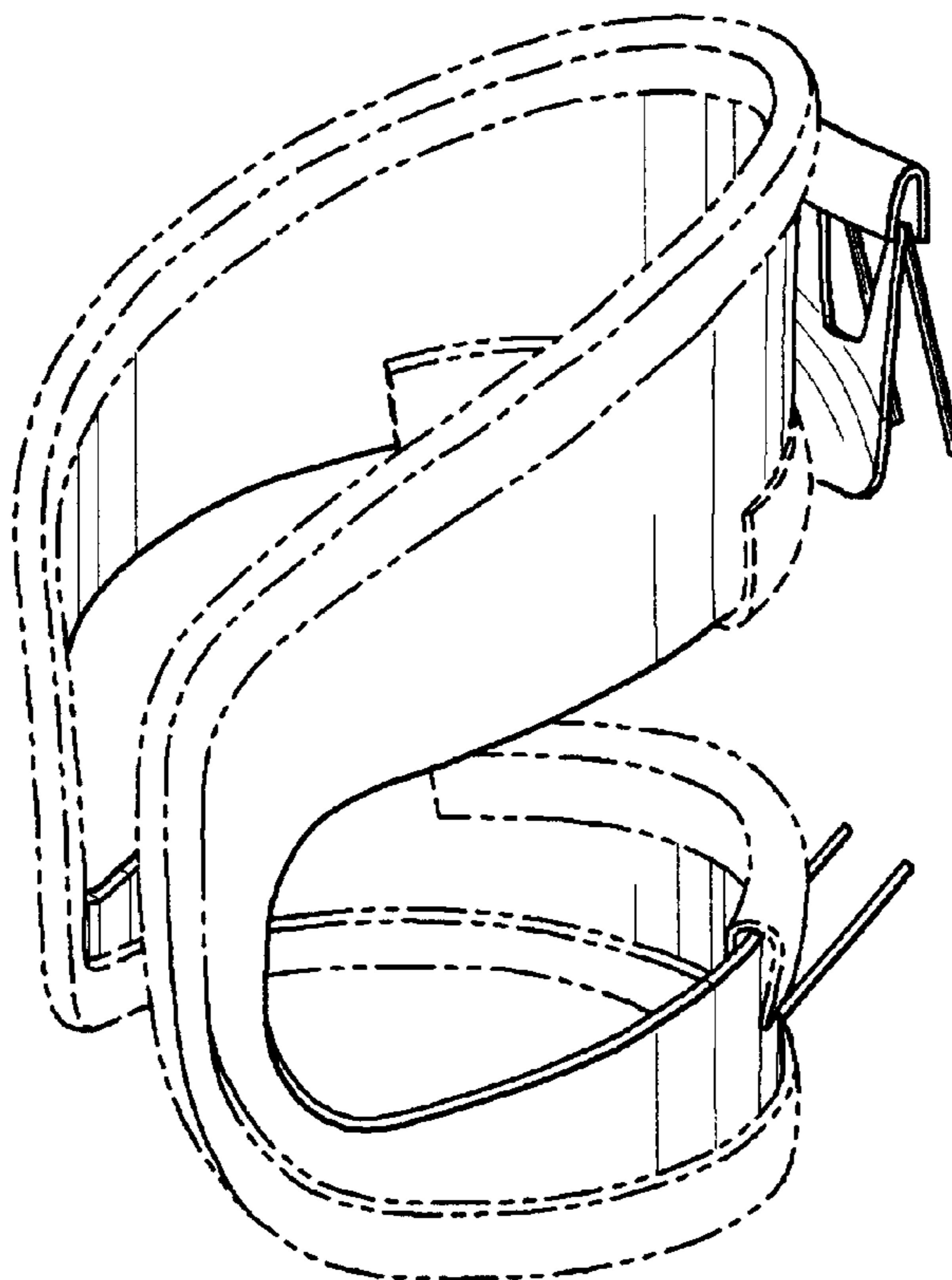
U.S. PATENT DOCUMENTS

- D265,351 S * 7/1982 Wooters D7/620
- D338,105 S * 8/1993 Karch D3/316
- D338,138 S * 8/1993 Miyajima D7/620
- 5,865,412 A * 2/1999 Mason 248/311.2

FIG. 4 is a general side perspective view of a carpet engaging vehicle container holder designed according to the present invention.

The broken lines immediately adjacent the shaded areas represent the bounds of the claim and all other broken lines are for illustrative purposes only. None of the broken lines form a part of the claimed design.

1 Claim, 3 Drawing Sheets



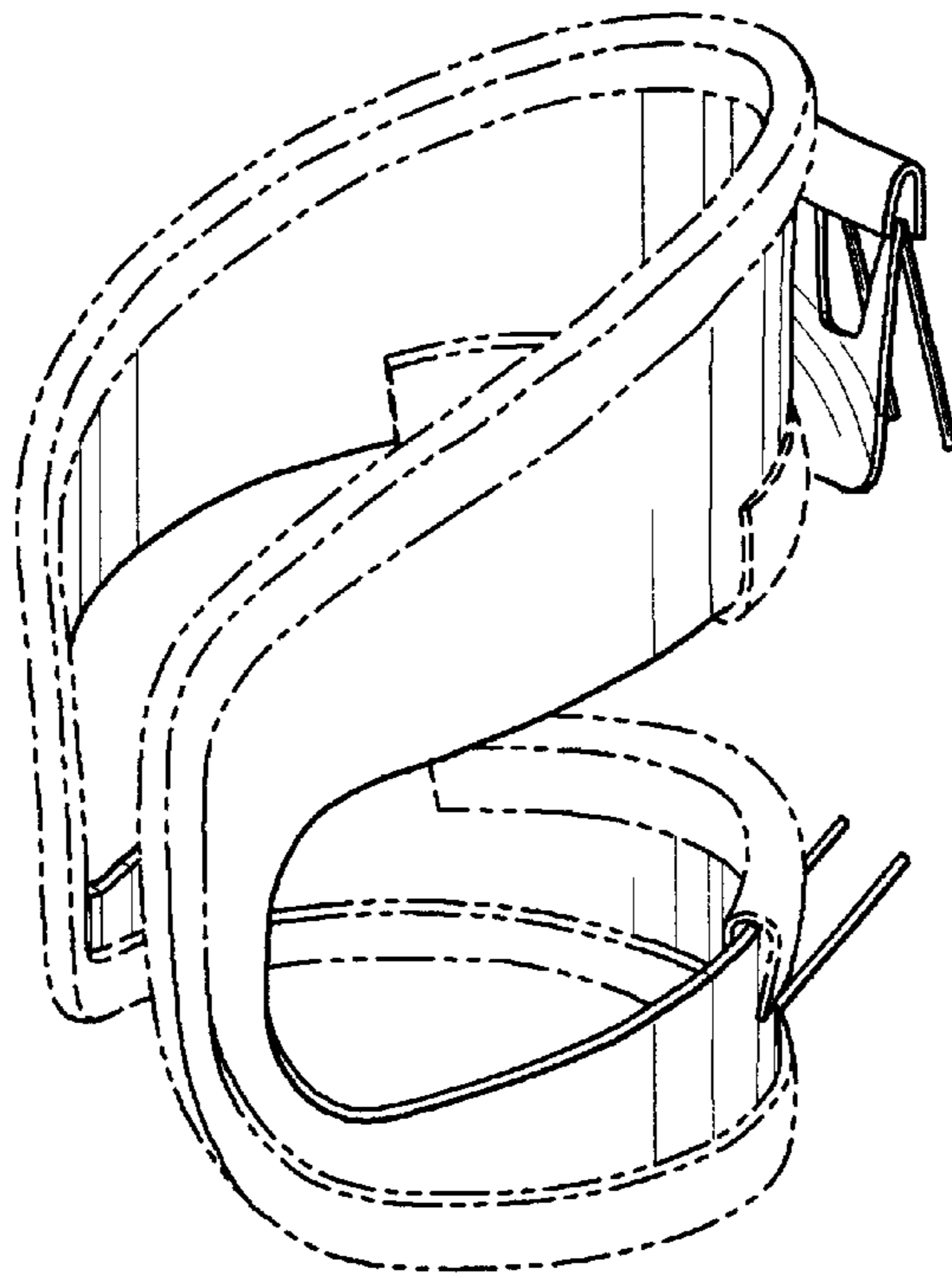


Fig-1

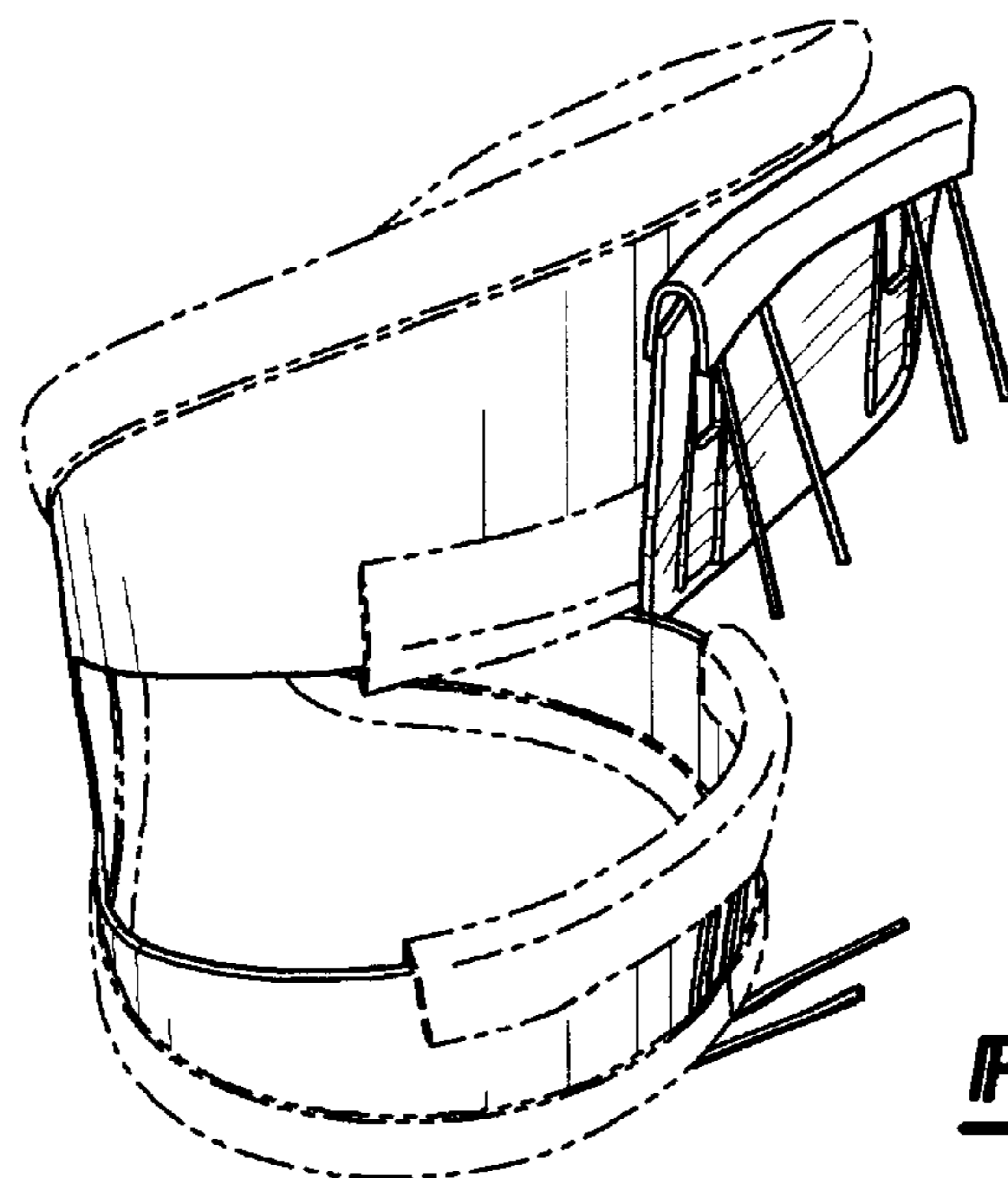


Fig-2

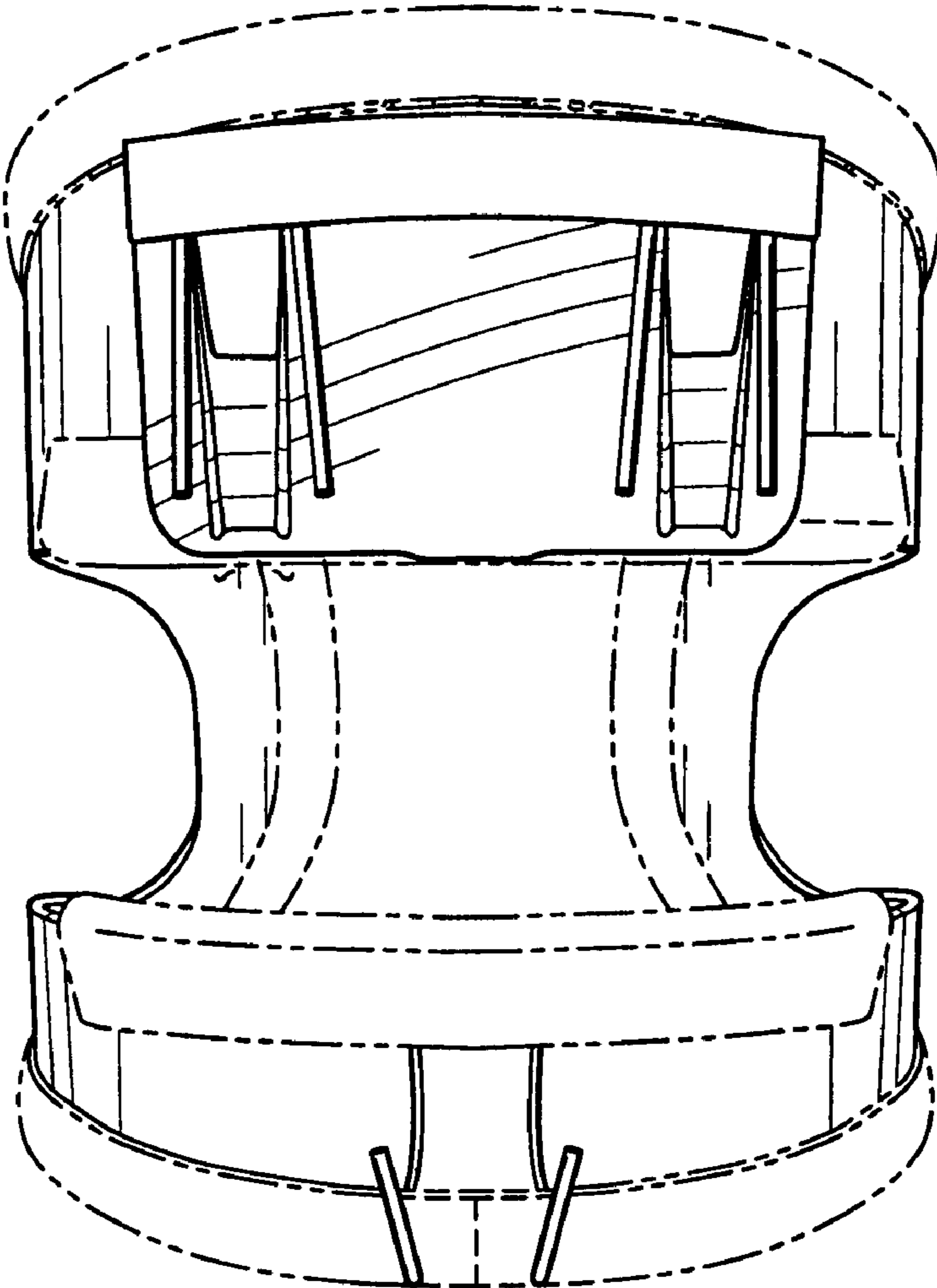


Fig-3

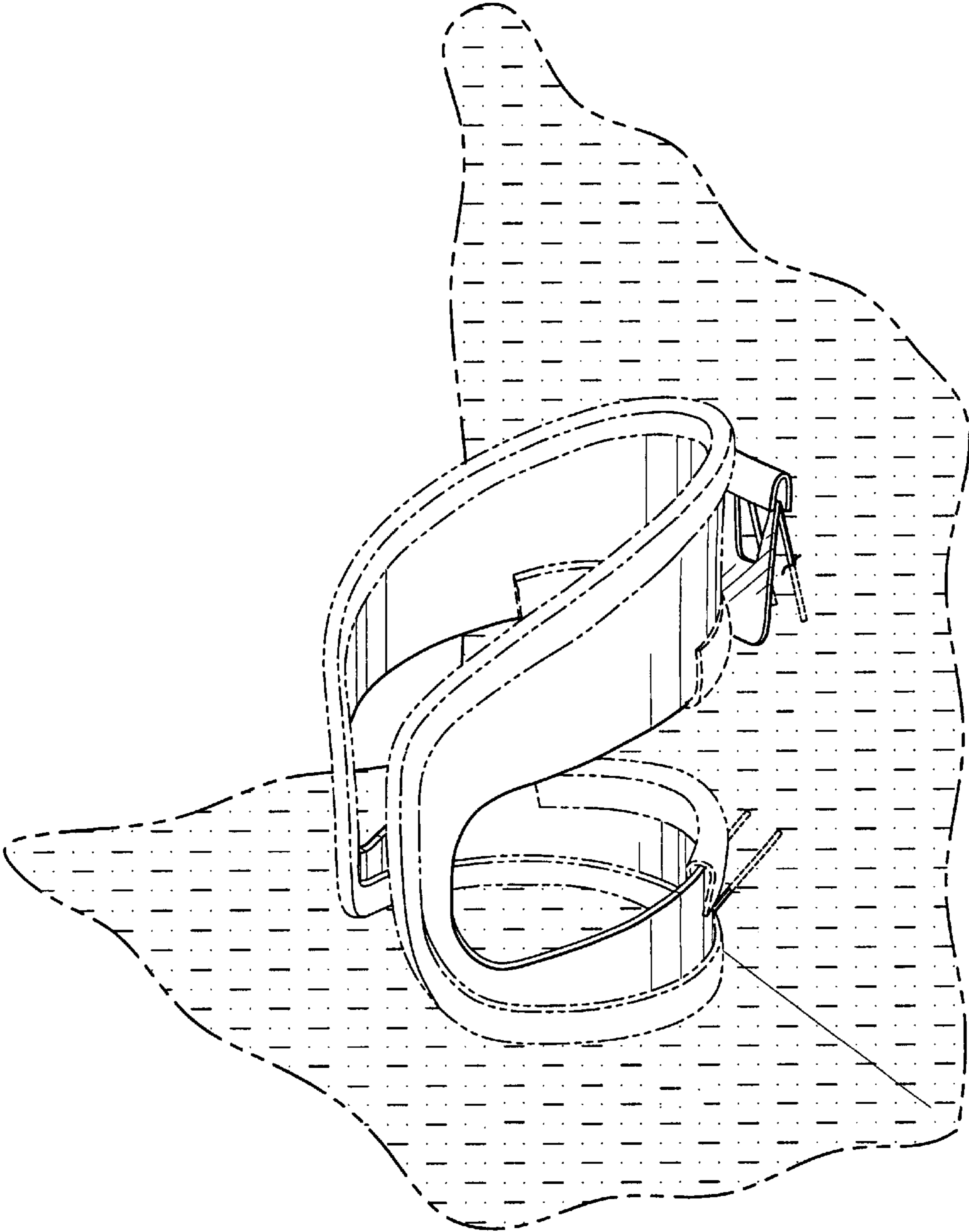


Fig-4