



US00D516990S

(12) **United States Design Patent**
Schweizer

(10) **Patent No.:** **US D516,990 S**
(45) **Date of Patent:** **** Mar. 14, 2006**

(54) **FRONT FACE OF A VEHICLE WHEEL**

(75) Inventor: **Oliver Schweizer**, Stuttgart (DE)

(73) Assignee: **DaimlerChrysler AG**, Stuttgart (DE)

(**) Term: **14 Years**

(21) Appl. No.: **29/227,413**

(22) Filed: **Apr. 12, 2005**

(30) **Foreign Application Priority Data**

Oct. 27, 2004 (DE) 40406111

(51) **LOC (8) Cl.** **12-16**

(52) **U.S. Cl.** **D12/211**

(58) **Field of Classification Search** D12/204-213;
301/37.101, 64.101, 65

See application file for complete search history.

(56) **References Cited**

U.S. PATENT DOCUMENTS

D428,379 S * 7/2000 Donikoglu D12/211
D453,136 S * 1/2002 Frizzi D12/211
D474,440 S * 5/2003 Oh D12/211

D480,036 S * 9/2003 Laengerer D12/211
D493,404 S * 7/2004 Baum D12/211
D500,726 S * 1/2005 Hettler D12/211

* cited by examiner

Primary Examiner—Stacia Cadmus

(74) *Attorney, Agent, or Firm*—Crowell & Moring LLP

(57) **CLAIM**

The ornamental design for a front face of a vehicle wheel, as shown and described.

DESCRIPTION

FIG. 1 is a front view of a first embodiment of a front face of a vehicle wheel according to my novel design;

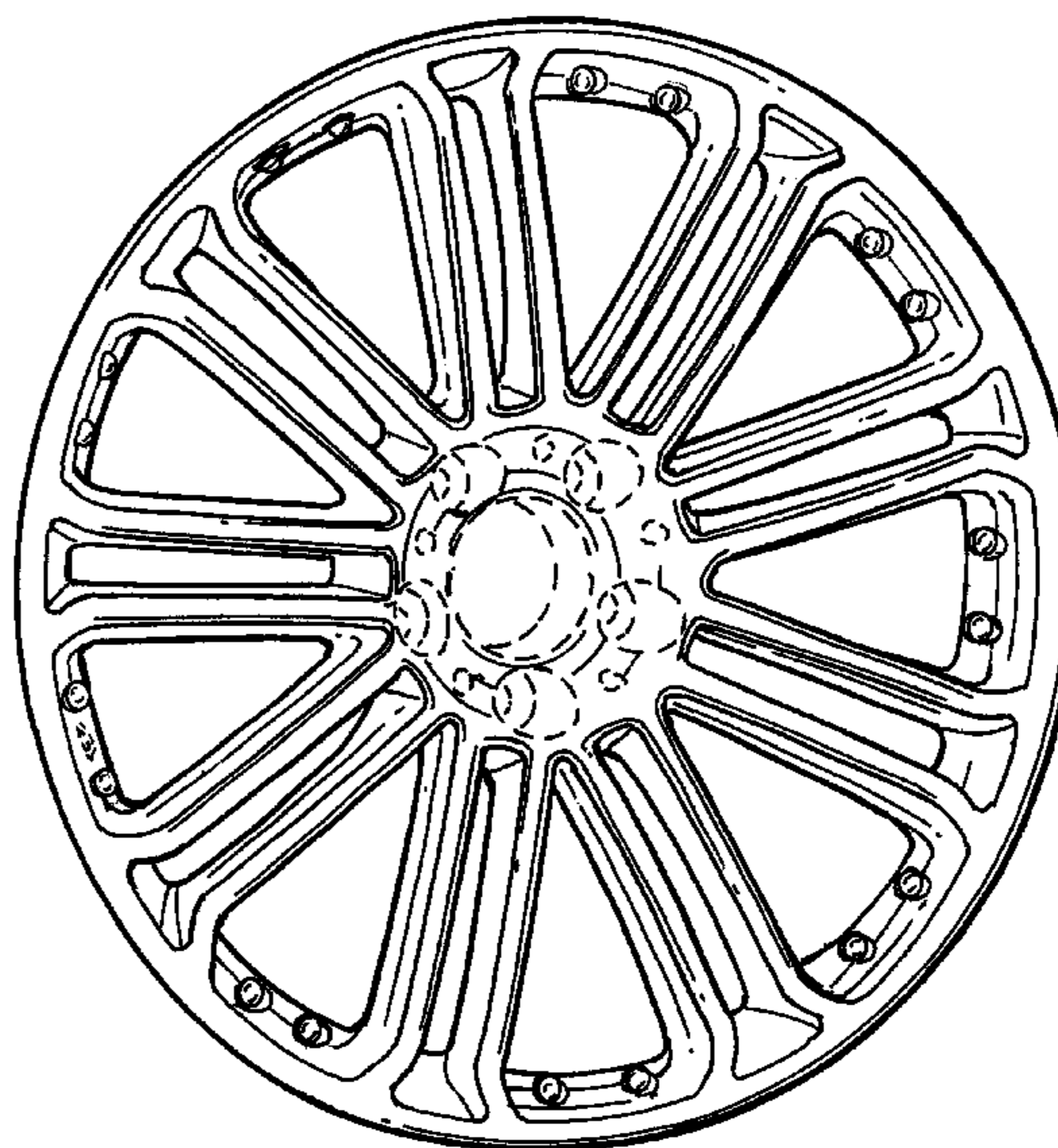
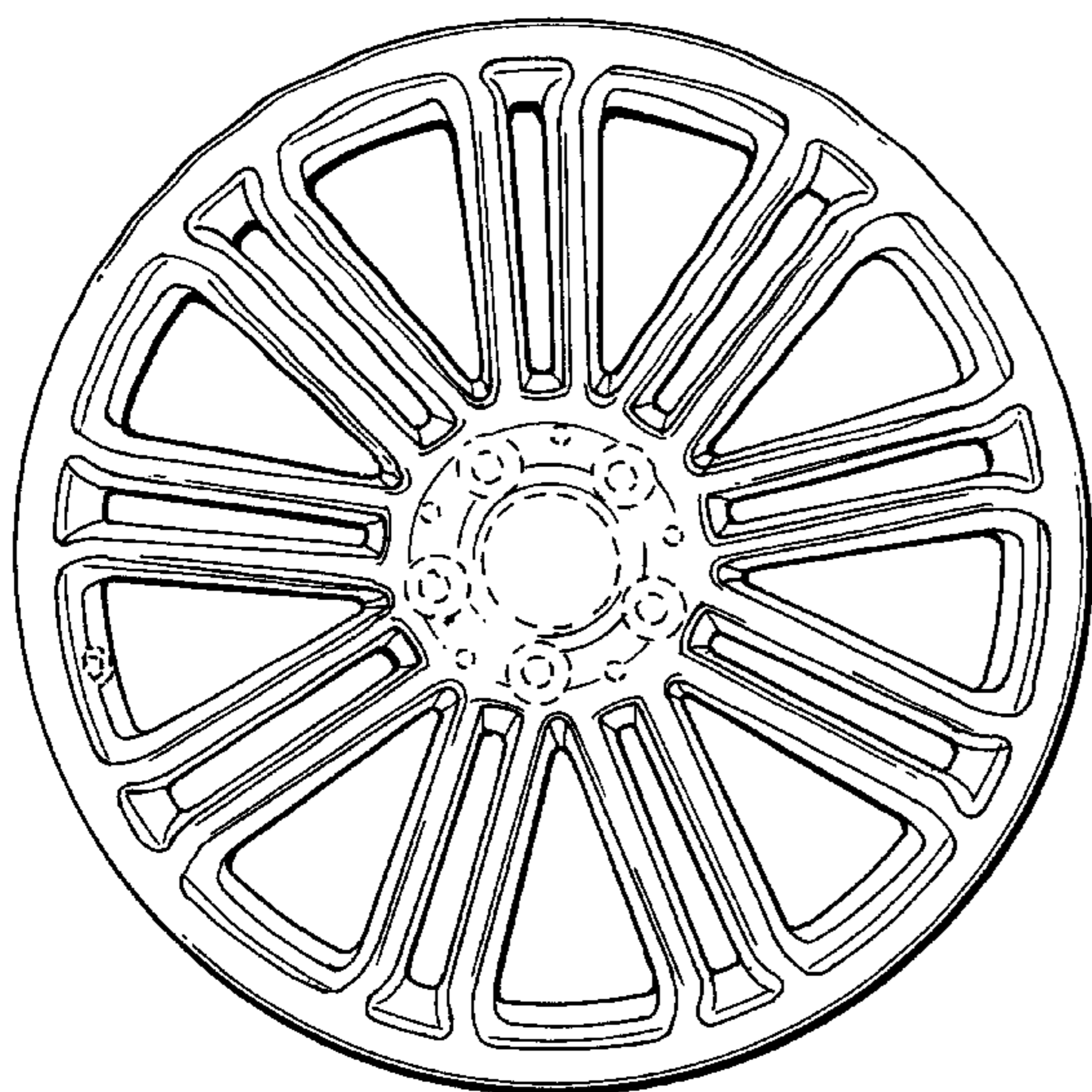
FIG. 2 is a perspective view of a first embodiment of the front face of a vehicle wheel according to my novel design;

FIG. 3 is a front view of a second embodiment of the front face of a vehicle wheel according to my novel design; and,

FIG. 4 is a perspective view of the second embodiment of the front face of a vehicle wheel according to my novel design.

The broken lines are for illustrative purposes only and form no part of the claimed design.

1 Claim, 2 Drawing Sheets



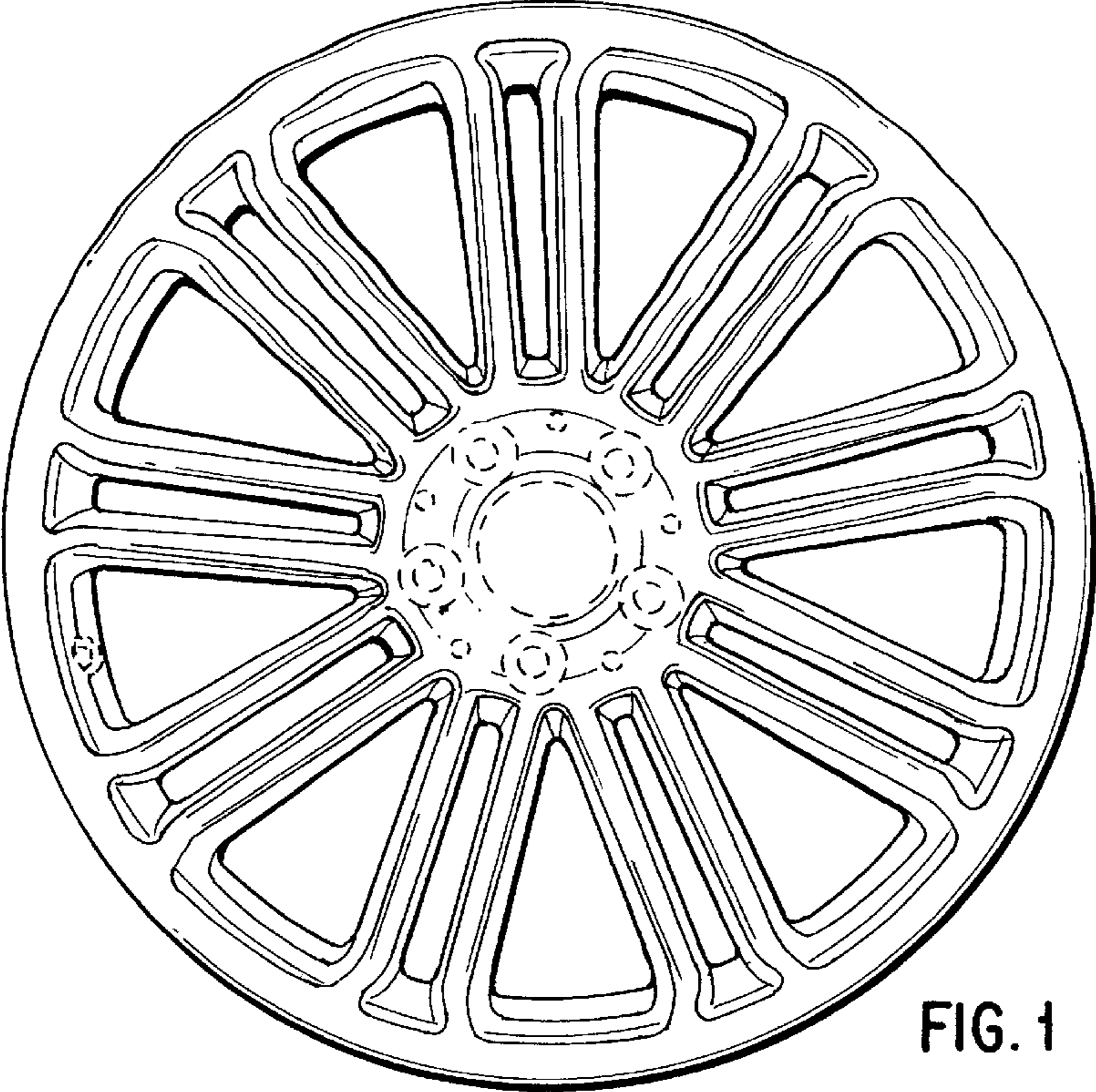


FIG. 1

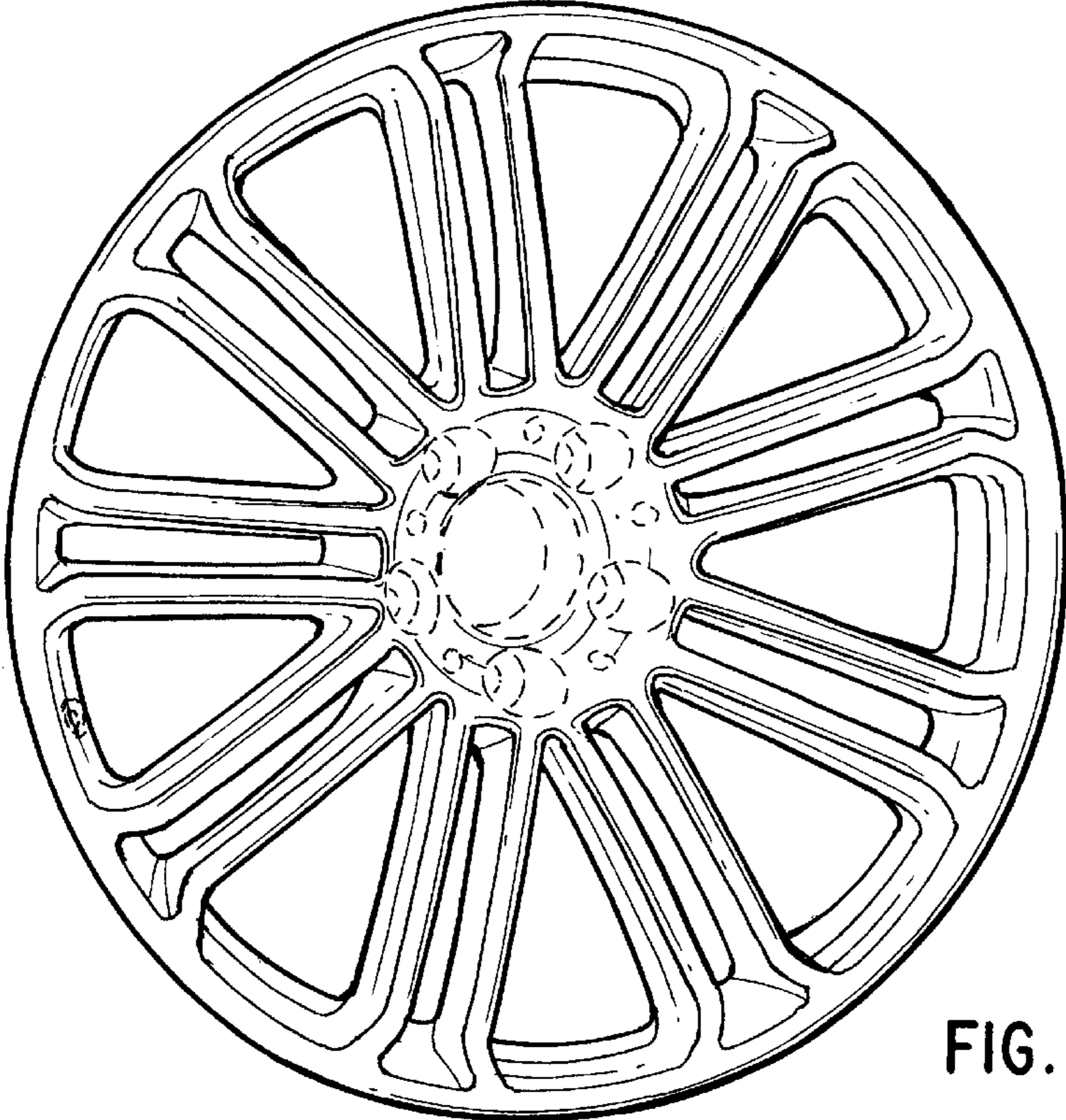


FIG. 2

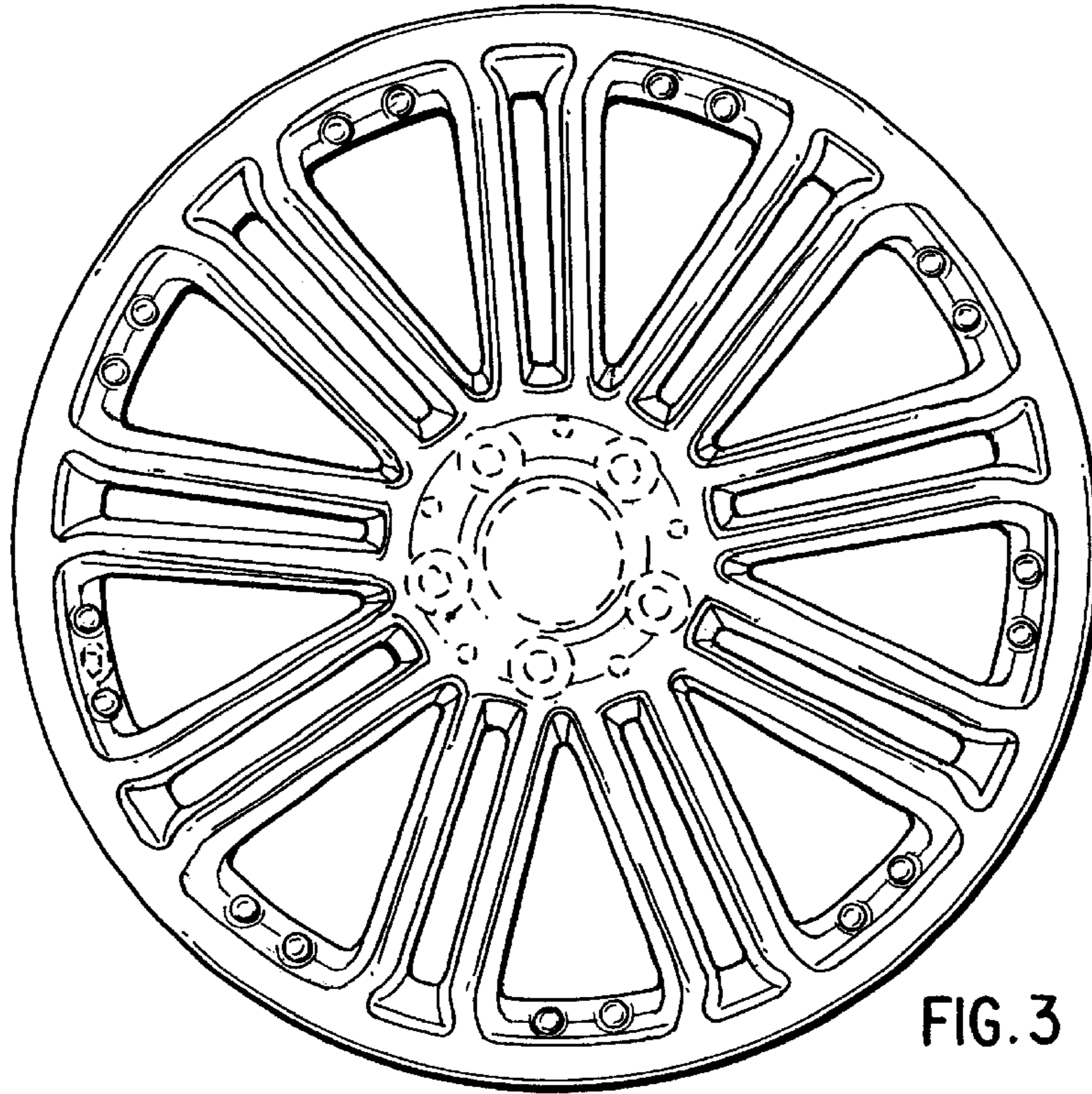


FIG. 3

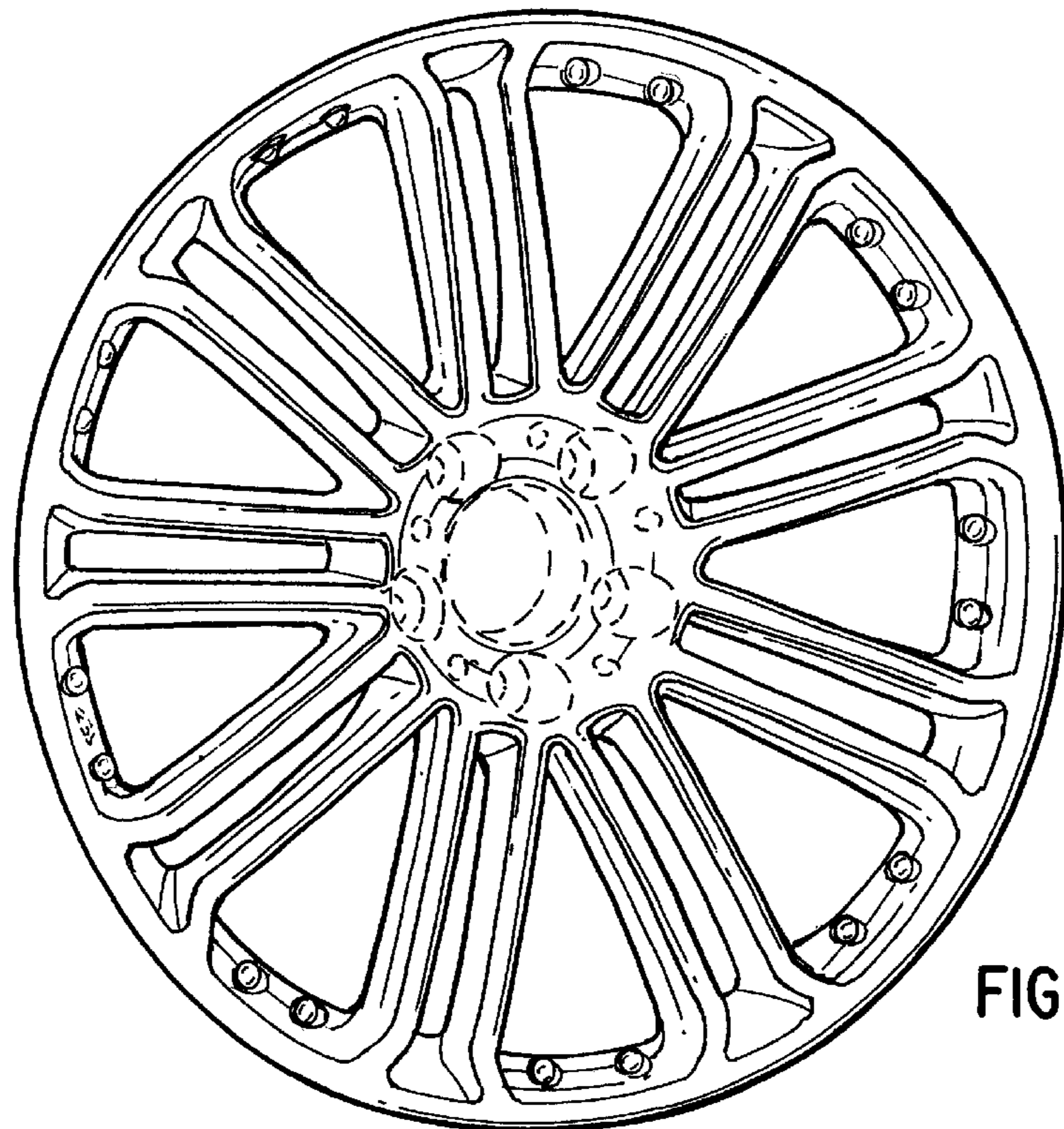


FIG. 4