



US00D516987S

(12) **United States Design Patent** (10) **Patent No.:** **US D516,987 S**
Sulahian (45) **Date of Patent:** **** Mar. 14, 2006**

(54) **PORTION OF A FRONT FACE OF A VEHICLE WHEEL**

(76) Inventor: **Diko Sulahian**, 12717 Ann St., Santa Fe Springs, CA (US) 90670

(**) Term: **14 Years**

(21) Appl. No.: **29/207,605**

(22) Filed: **Jun. 17, 2004**

Related U.S. Application Data

(63) Continuation of application No. 29/192,205, filed on Oct. 22, 2003, now Pat. No. Des. 493,764.

(51) **LOC (8) Cl.** **12-16**

(52) **U.S. Cl.** **D12/211**

(58) **Field of Classification Search** D12/204–213;
301/37.101, 64.101, 65
See application file for complete search history.

(56) **References Cited**

U.S. PATENT DOCUMENTS

D396,681 S	8/1998	Boyer	D12/209
D402,951 S	12/1998	Wechner	D12/211
D407,055 S	3/1999	Kelley	D12/209
D414,454 S	9/1999	Chung	D12/211
D415,094 S	10/1999	Neeper	D12/211
D416,533 S	11/1999	Sulahian	D12/211
D421,953 S	3/2000	Sims et al.	D12/211
D432,071 S	10/2000	Brown	D12/211
D437,278 S	2/2001	Sulahian	D12/211
D446,180 S	8/2001	Sulahian et al.	D12/211
D446,493 S	8/2001	Sulahian et al.	D12/211
D450,649 S	11/2001	Penzes	D12/211
D451,067 S	11/2001	Frizzi	D12/211
D466,851 S	12/2002	Pfeiffer et al.	D12/211
D466,854 S	12/2002	Kern	D12/211
D471,504 S	3/2003	Laengerer	D12/211
D473,836 S	4/2003	Laengerer	D12/211
D477,558 S	7/2003	Brintouch	D12/211
D478,540 S	8/2003	Sulahian	D12/209

D478,541 S	8/2003	Sulahian	D12/209
D478,542 S	8/2003	Sulahian	D12/209
D479,172 S	9/2003	Sulahian	D12/209
D479,178 S	9/2003	Lai	D12/211
D481,984 S	11/2003	Sulahian	D12/211
D482,309 S	11/2003	Sulahian	D12/211
D482,996 S	12/2003	Sulahian	D12/211
D493,764 S	* 8/2004	Sulahian	D12/211

OTHER PUBLICATIONS

U.S. Appl. No. 29/192,205, filed Oct. 2003, Sulahian.
U.S. Appl. No. 29/192,237, filed Oct. 2003, Sulahian.
U.S. Appl. No. 29/192,204, filed Oct. 2003, Sulahian.
Page from website of wtwwcorp.com showing 6-Oval Wheel Rim, date unknown but believed to be available more than one year prior to Oct. 22, 2003.

* cited by examiner

Primary Examiner—Stacia Cadmus
(74) *Attorney, Agent, or Firm*—Nixon & Vanderhye P.C.

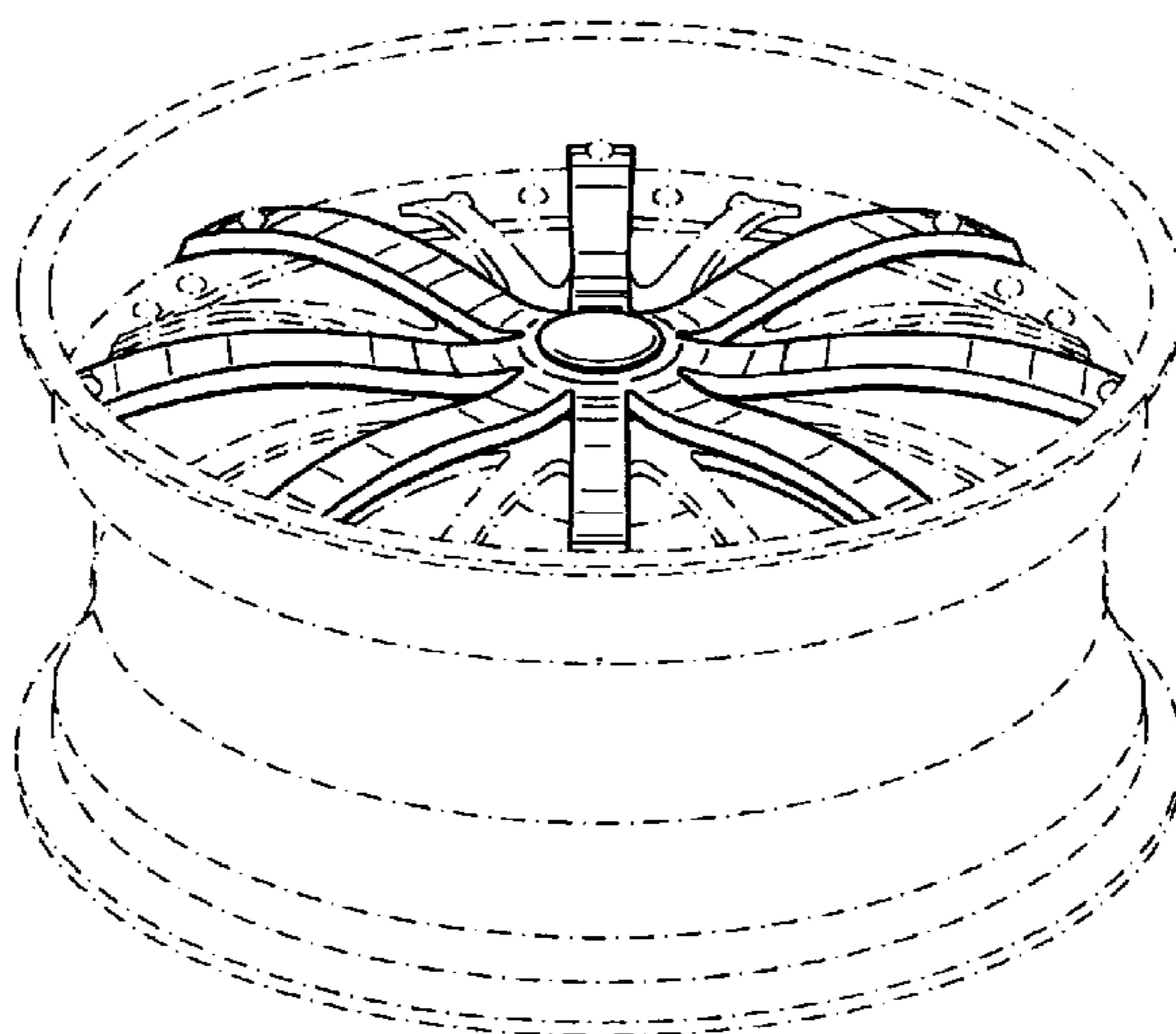
(57) **CLAIM**

The ornamental design for a portion of a front face of a vehicle wheel, as shown and described.

DESCRIPTION

FIG. 1 is a front view of a portion of a wheel showing my new design;
FIG. 2 is a bottom and front side perspective view of the portion of a wheel shown in FIG. 1; and,
FIG. 3 is a different left and front side perspective view of the portion of a wheel shown in FIG. 1.
Throughout the various figures of the drawings, certain views are not provided. The omission of a particular view is intended to convey that the element(s) depicted is/are plain and unornamented in that omitted view, or that the particular ornamental appearance in that view is simply not claimed. Where included, broken lines showing environment or structure are for illustrative purposes only and form no part of the claimed design.

1 Claim, 3 Drawing Sheets



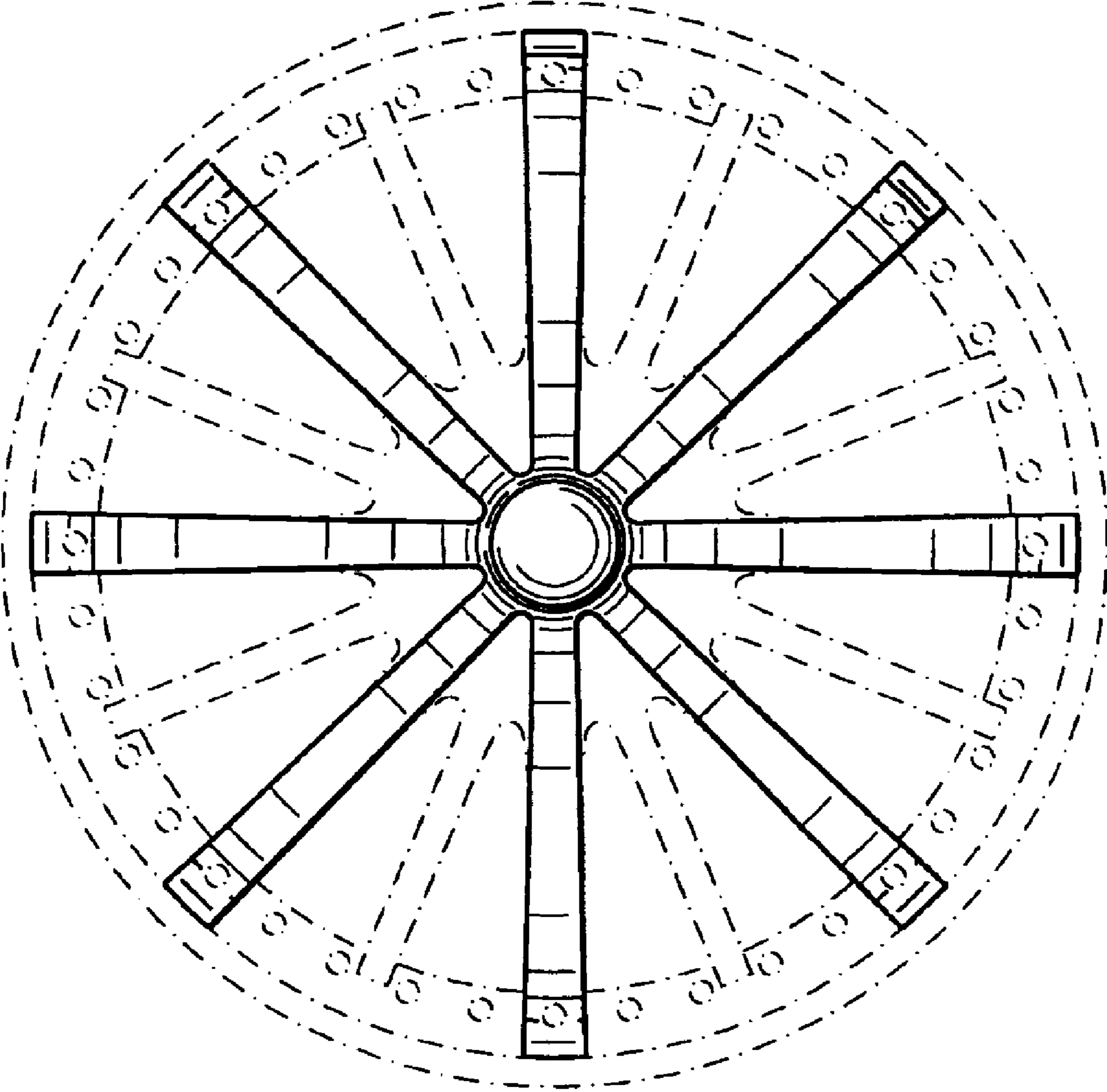


Fig. 1

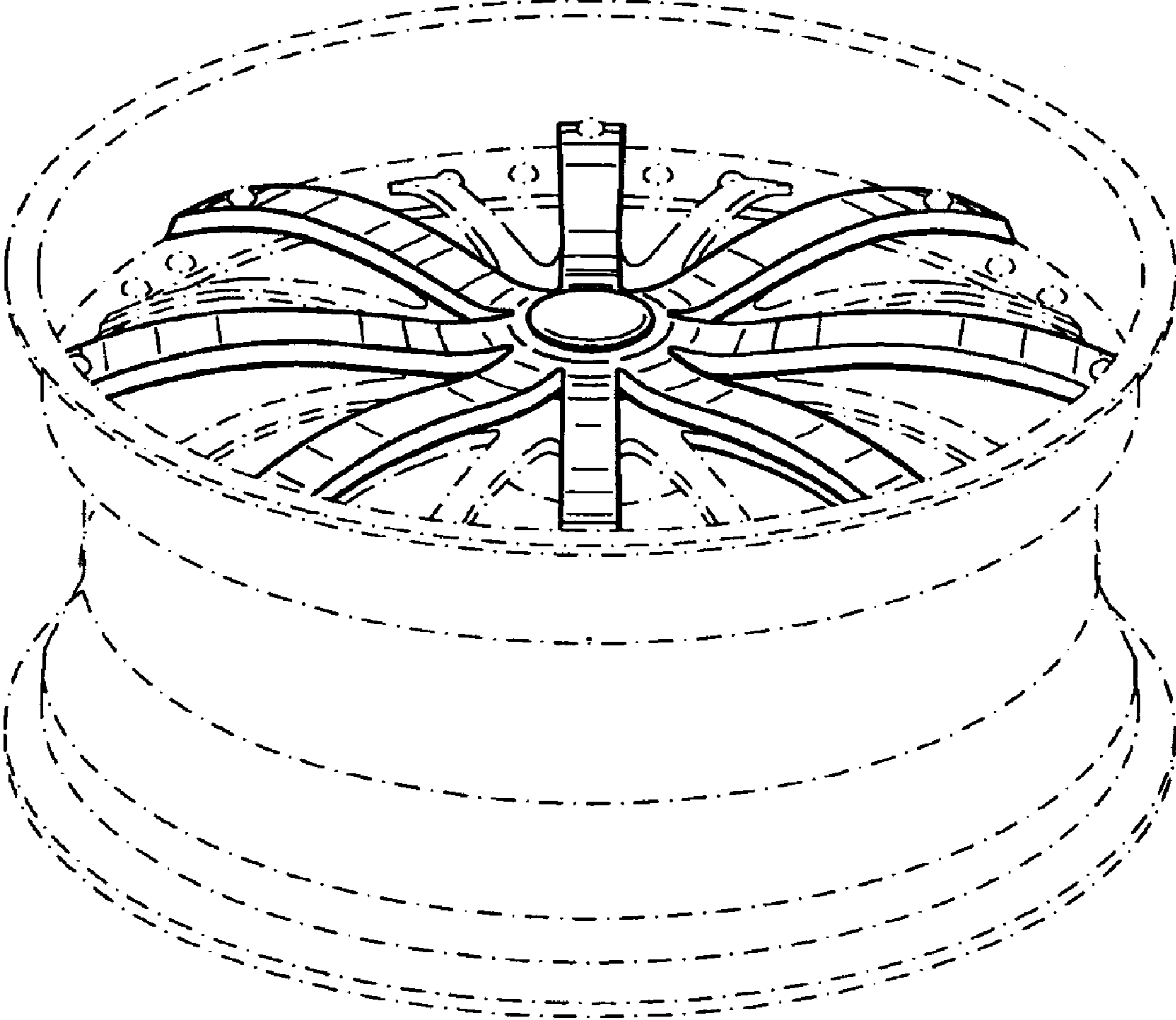


Fig. 2

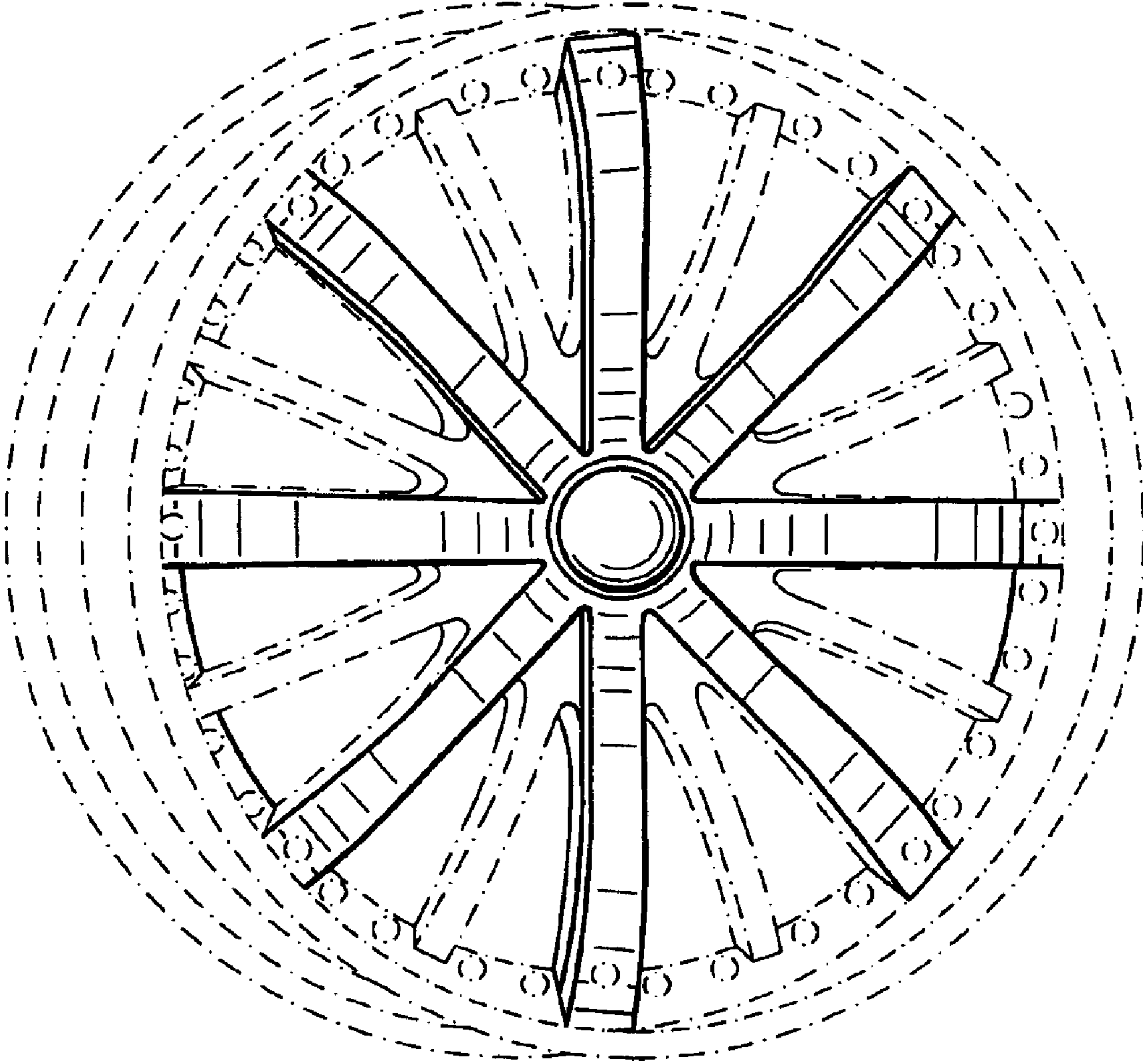


Fig. 3