



US00D516986S

(12) **United States Design Patent**  
**Karagozlu**

(10) **Patent No.:** **US D516,986 S**  
(45) **Date of Patent:** **\*\* Mar. 14, 2006**

(54) **VEHICLE WHEEL**  
(76) **Inventor:** **Gurkan Karagozlu**, 2091/1 Sk. No: 5/3  
D:5 35010, Bayrakli, Izmir (TR)

D497,865 S \* 11/2004 Cahyono ..... D12/209  
D499,683 S \* 12/2004 Kushartanto ..... D12/209  
D500,722 S \* 1/2005 Hussaini et al. .... D12/209  
D505,650 S \* 5/2005 Tirado ..... D12/209  
D507,222 S \* 7/2005 Arellano et al. .... D12/209

(\*\*) **Term:** **14 Years**

\* cited by examiner

(21) **Appl. No.:** **29/233,540**

*Primary Examiner*—Stacia Cadmus

(22) **Filed:** **Jul. 6, 2005**

(74) *Attorney, Agent, or Firm*—Madson & Metcalf

(51) **LOC (8) Cl.** ..... **12-16**

(57) **CLAIM**

(52) **U.S. Cl.** ..... **D12/209**

The ornamental design for a vehicle wheel, as shown and described.

(58) **Field of Classification Search** ..... D12/204–213;  
301/37.101, 64.101, 65

See application file for complete search history.

**DESCRIPTION**

(56) **References Cited**

FIG. 1 is a perspective view of the vehicle wheel showing my new design; and,

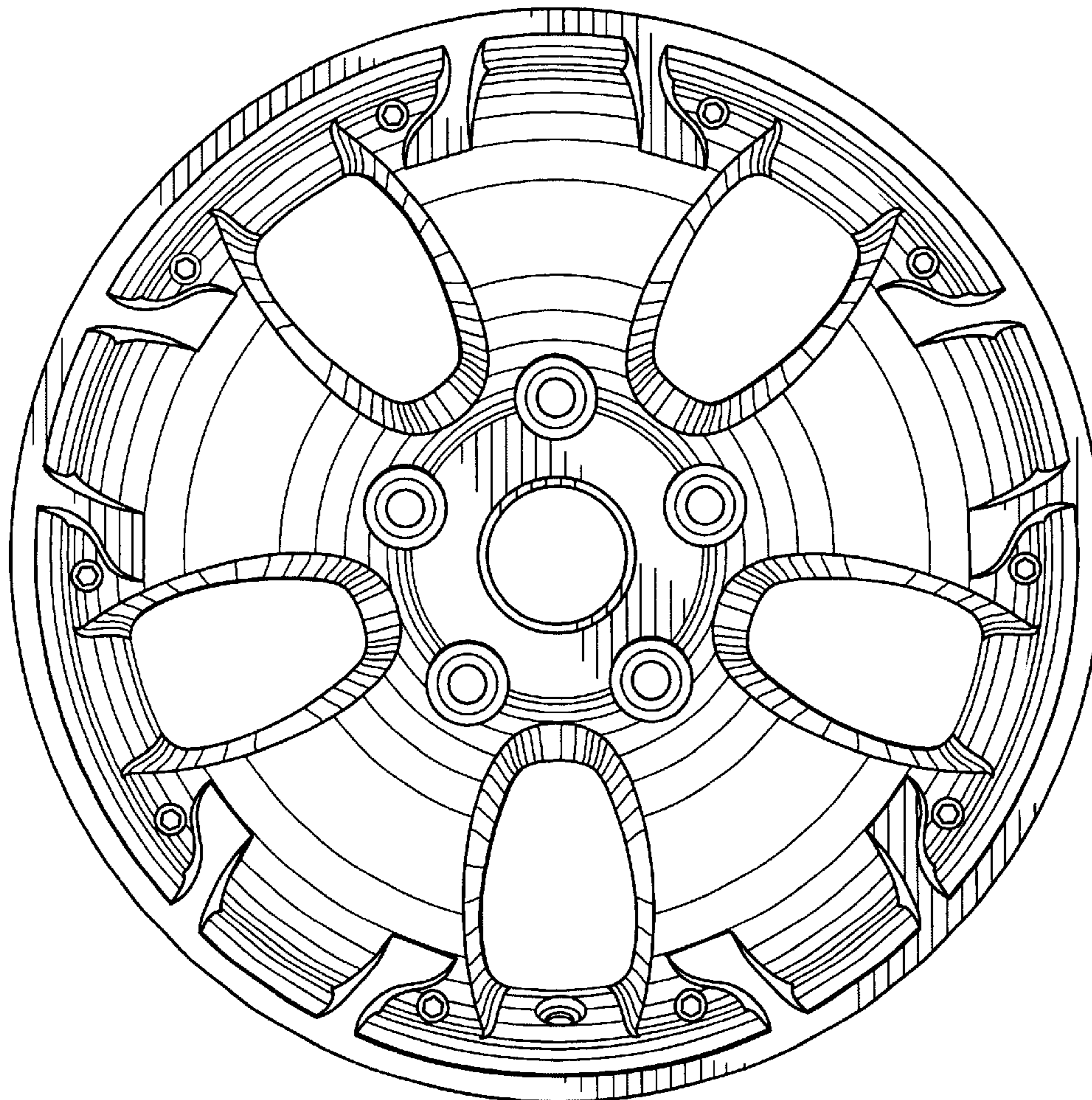
**U.S. PATENT DOCUMENTS**

FIG. 2 is a front view thereof.

The broken line showing of environment is for illustrative purposes only and forms no part of the claimed design.

D464,307 S \* 10/2002 Chung ..... D12/209  
D480,033 S \* 9/2003 Kim ..... D12/209  
D484,445 S \* 12/2003 Chu ..... D12/209  
D489,307 S \* 5/2004 Tirado ..... D12/209

**1 Claim, 2 Drawing Sheets**



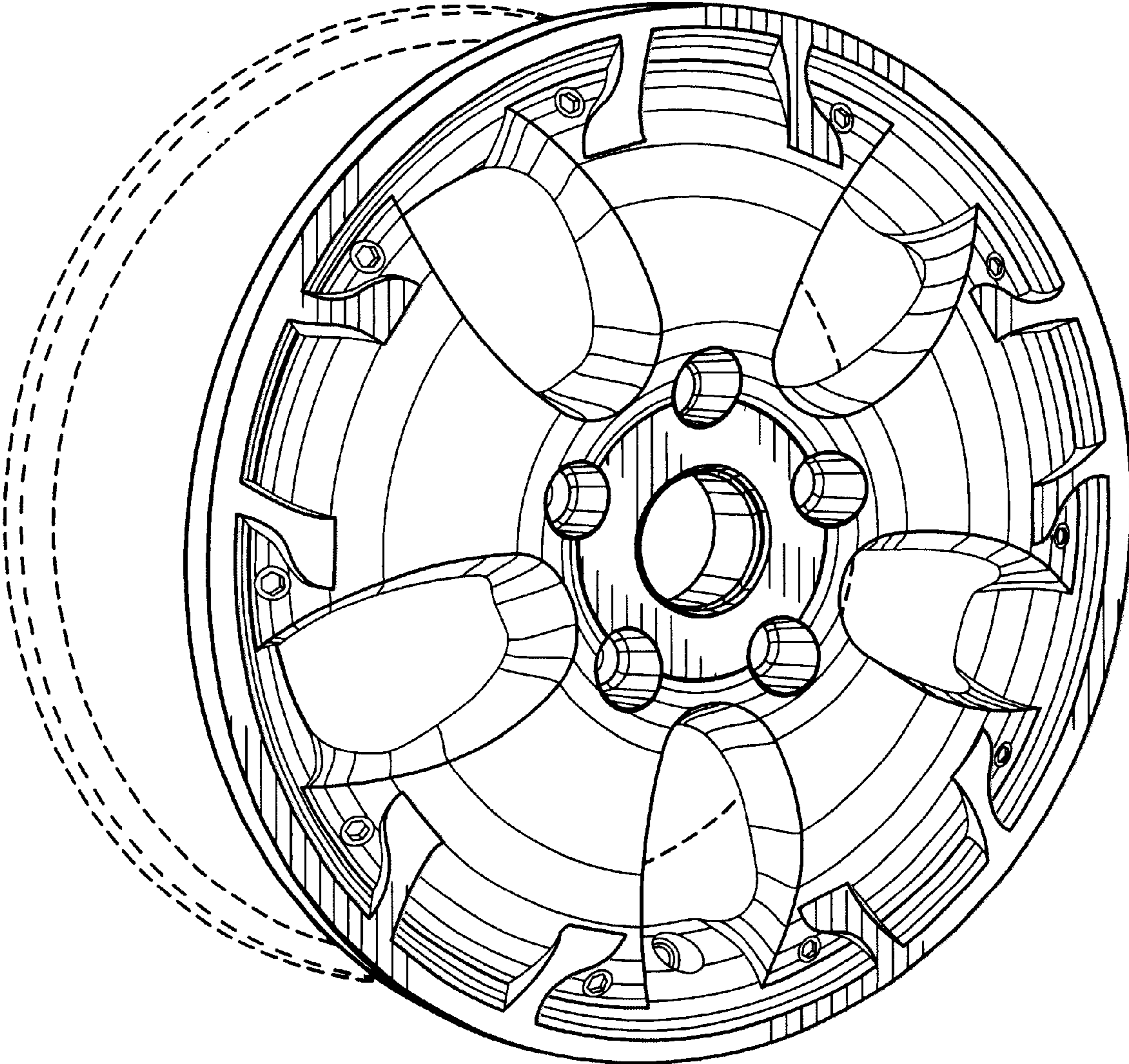


FIG. 1

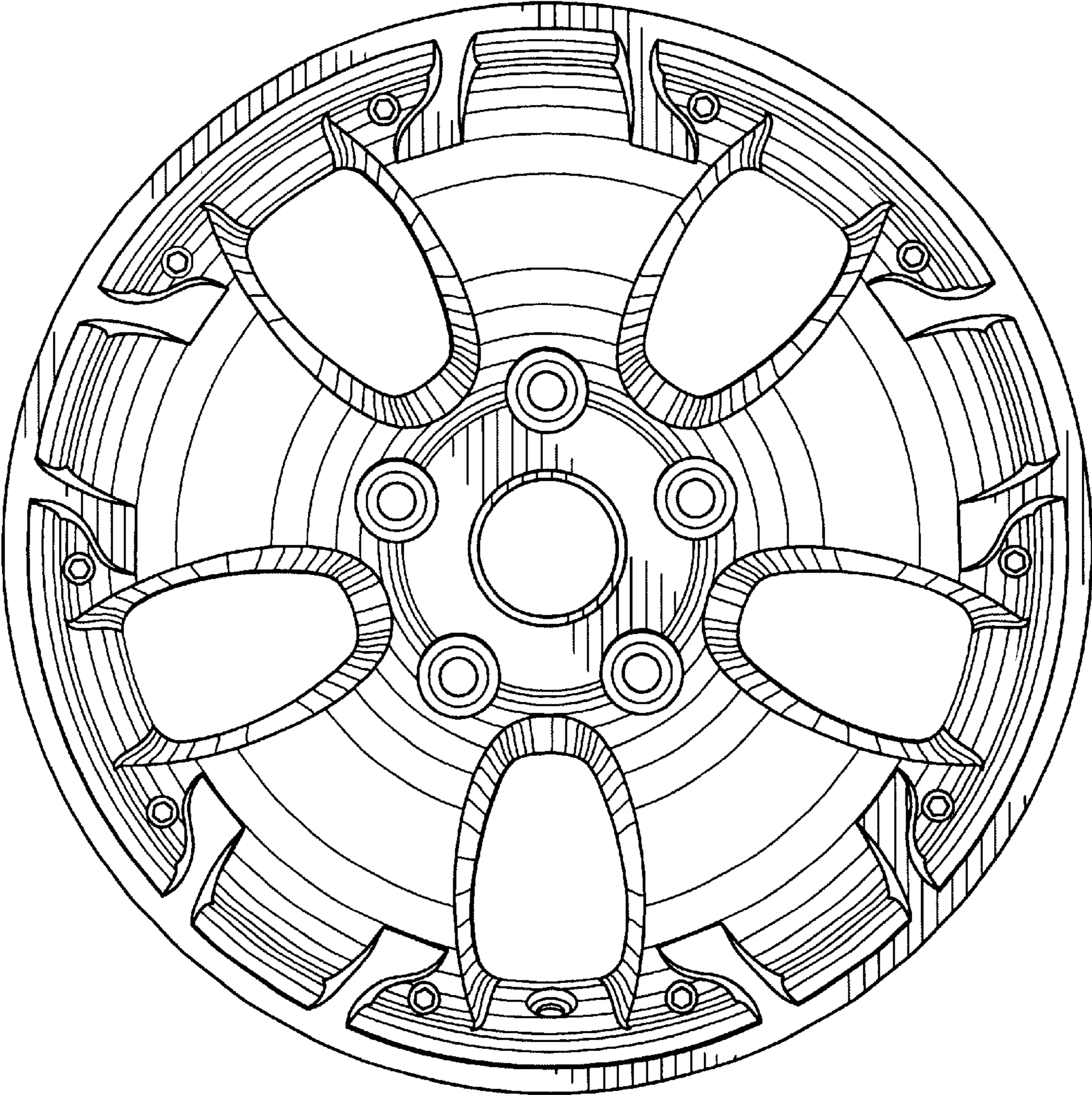


FIG. 2