



US00D516984S

(12) **United States Design Patent**  
**Hernandez**

(10) **Patent No.:** **US D516,984 S**

(45) **Date of Patent:** **\*\* Mar. 14, 2006**

(54) **WHEEL RIM FOR AUTOMOBILES**

(76) **Inventor:** **Mauricio Hernandez**, 20758 Centre Point Pkwy., Santa Clarita, CA (US) 91350

(\*\*) **Term:** **14 Years**

(21) **Appl. No.:** **29/227,195**

(22) **Filed:** **Apr. 6, 2005**

(51) **LOC (8) Cl.** ..... **12-16**

(52) **U.S. Cl.** ..... **D12/209**

(58) **Field of Classification Search** ..... D12/204-213;  
301/37.101, 64.101, 65

See application file for complete search history.

(56) **References Cited**

**U.S. PATENT DOCUMENTS**

D410,617 S	*	6/1999	Hussaini et al.	.....	D12/209
D412,480 S	*	8/1999	Hussaini et al.	.....	D12/209
D419,942 S	*	2/2000	Lampkin	.....	D12/209
D466,467 S	*	12/2002	Hodges	.....	D12/211

D471,502 S	*	3/2003	McMath	.....	D12/209
D491,124 S	*	6/2004	Rice	.....	D12/209
D496,318 S	*	9/2004	Cheng	.....	D12/209
D496,622 S	*	9/2004	Cheng	.....	D12/209
D500,276 S	*	12/2004	Cheng	.....	D12/209
D500,723 S	*	1/2005	Alimchandani	.....	D12/209
D505,375 S	*	5/2005	Kushartanto	.....	D12/211

\* cited by examiner

*Primary Examiner*—Stacia Cadmus

(74) *Attorney, Agent, or Firm*—Kelly Lowry & Kelley, LLP

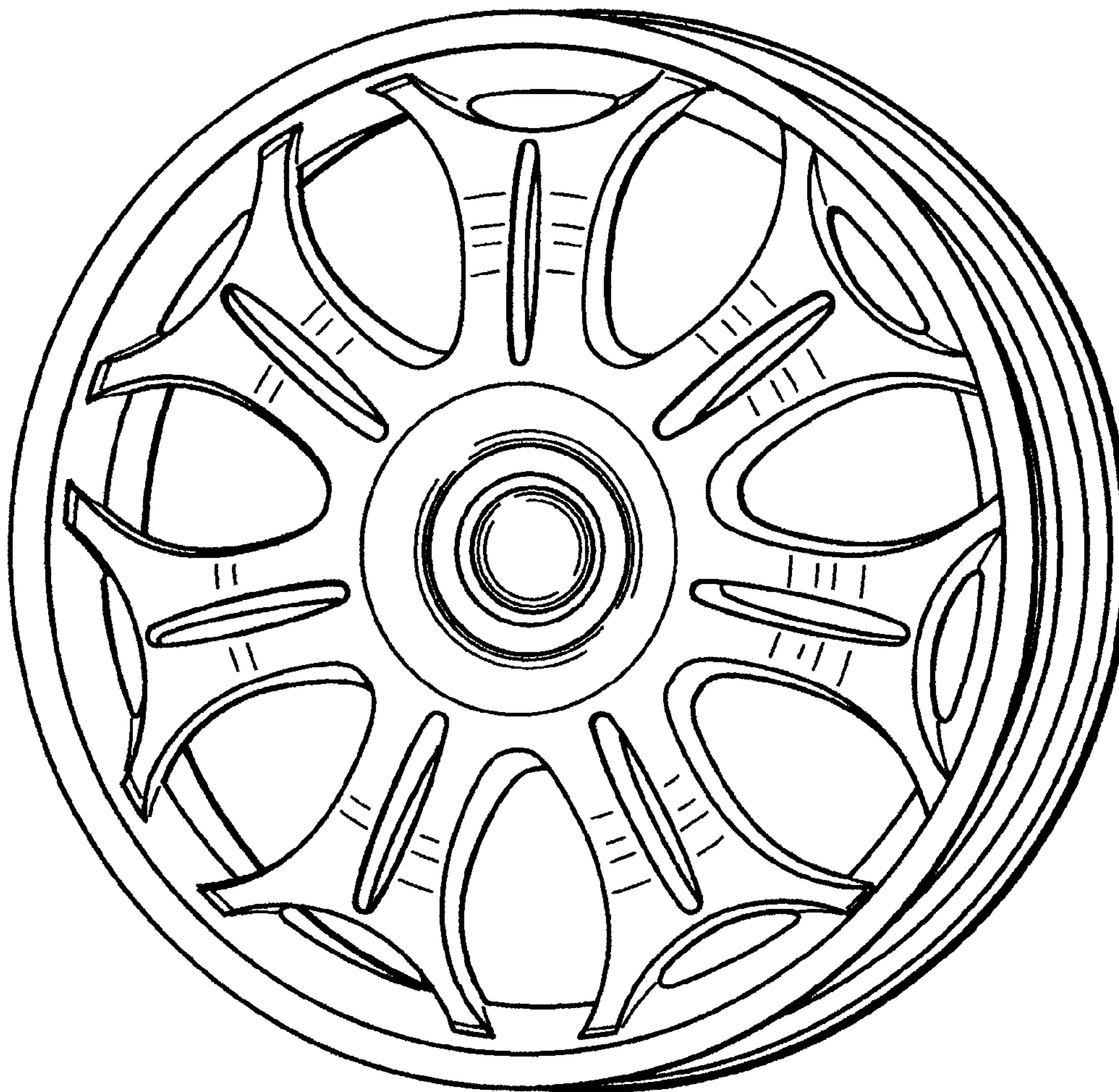
(57) **CLAIM**

The ornamental design for a wheel rim for automobiles, as shown.

**DESCRIPTION**

FIG. 1 is a front and side-perspective view of a wheel rim for automobiles embodying my new design; FIG. 2 is a front elevational view thereof; and, FIG. 3 is a side elevational view thereof.

**1 Claim, 1 Drawing Sheet**



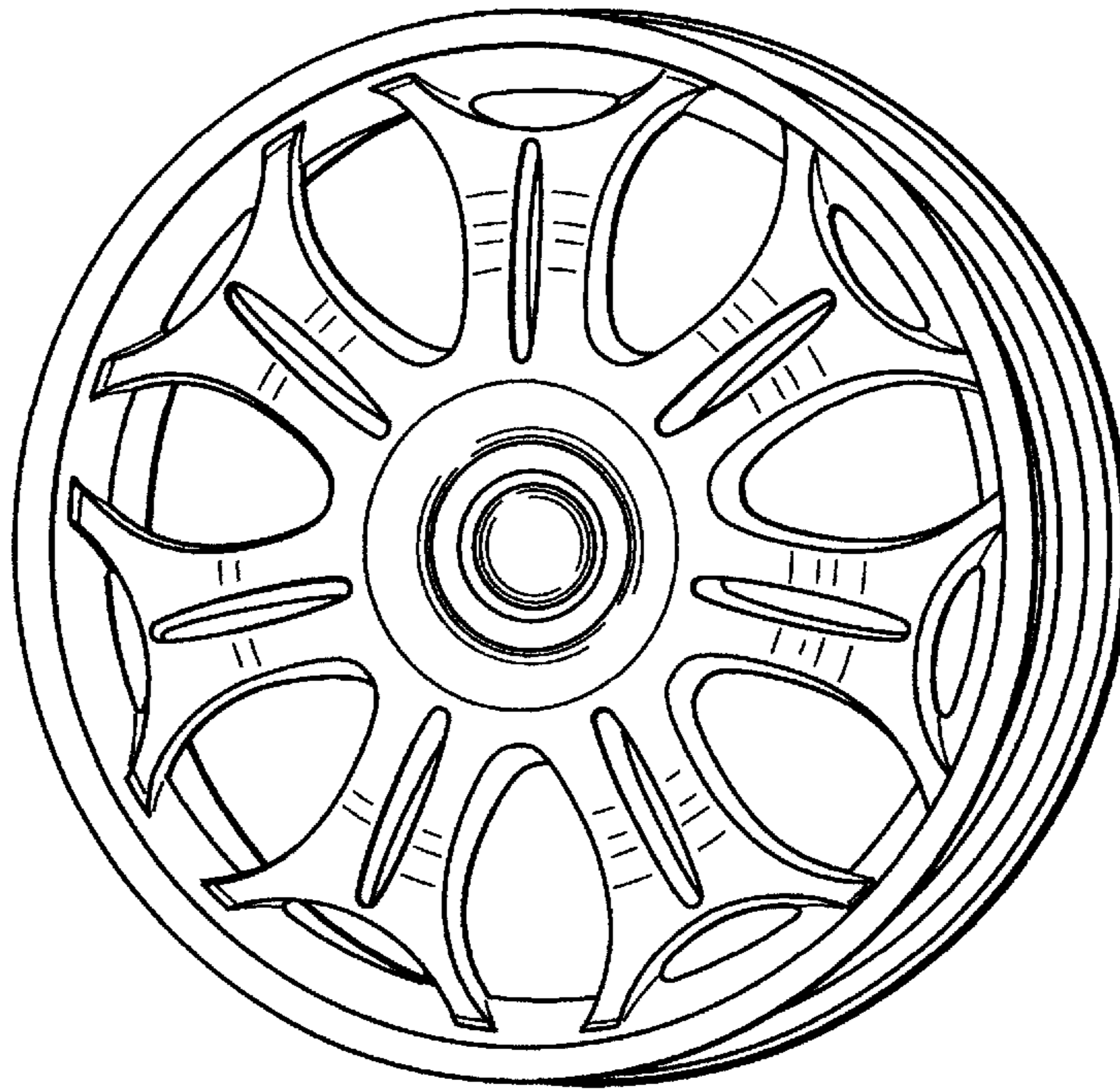


FIG. 1

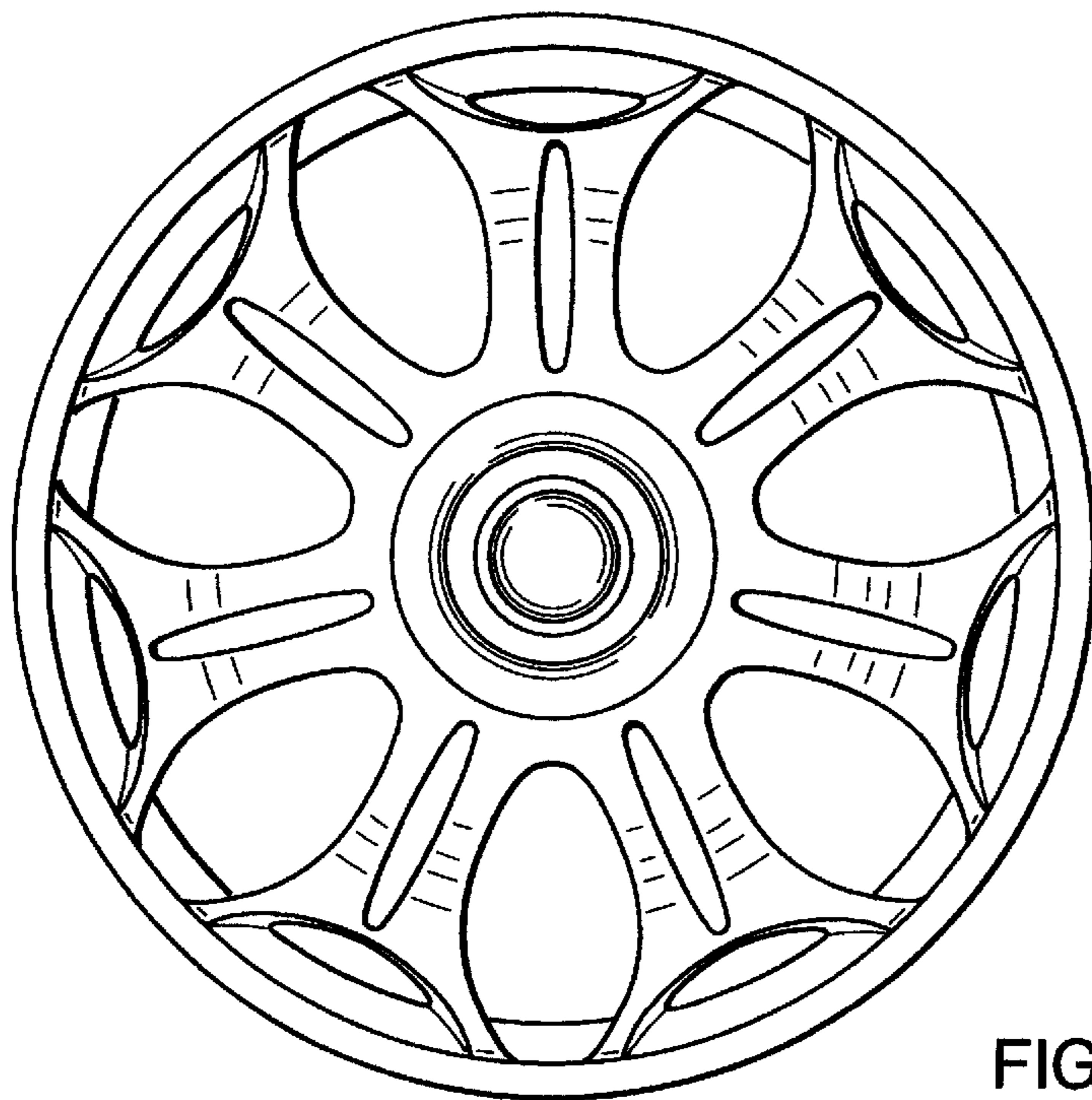


FIG. 2

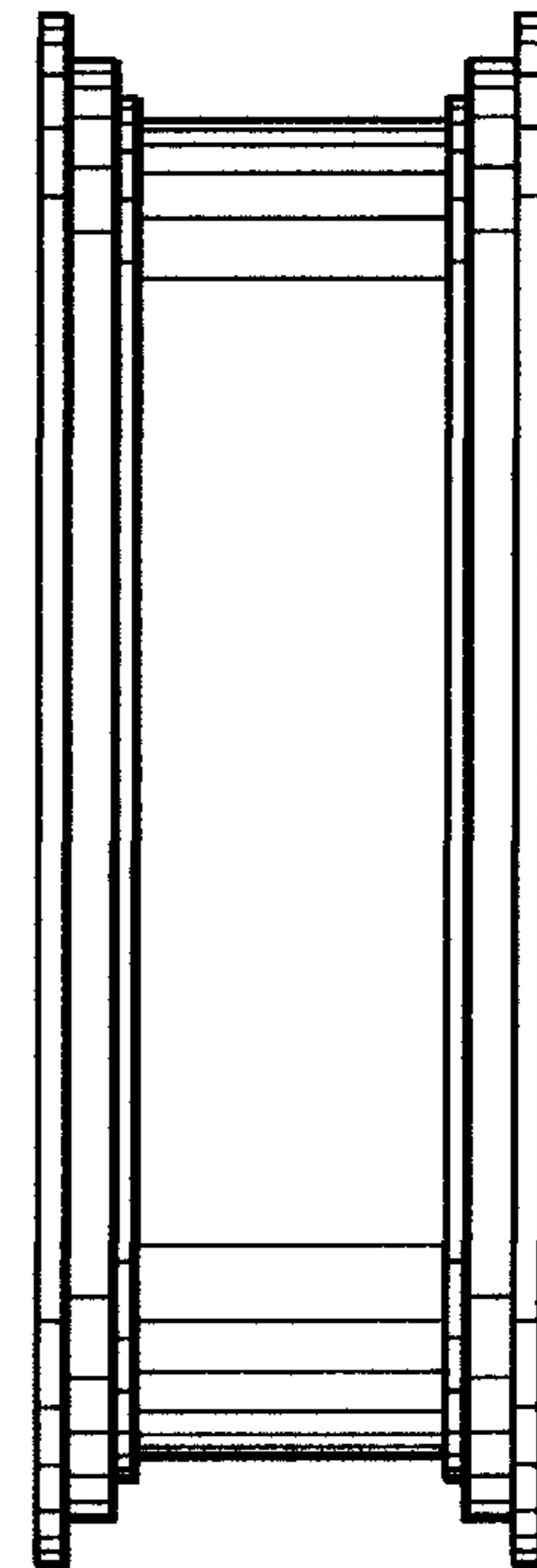


FIG. 3