



US00D516982S

(12) **United States Design Patent**
Gallert

(10) **Patent No.:** **US D516,982 S**
(45) **Date of Patent:** **** Mar. 14, 2006**

(54) **FRONT FACE OF A VEHICLE WHEEL**

(75) **Inventor:** **Michael Gallert, Stuttgart (DE)**

(73) **Assignee:** **Dr. Ing. h.c.F. Porsche
Aktiengesellschaft, Stuttgart (DE)**

(**) **Term:** **14 Years**

(21) **Appl. No.:** **29/222,012**

(22) **Filed:** **Jan. 26, 2005**

(30) **Foreign Application Priority Data**

Aug. 12, 2004 (DE) 4 04 04 525

(51) **LOC (8) Cl.** **12-16**

(52) **U.S. Cl.** **D12/209**

(58) **Field of Classification Search** D12/204-213;
301/37.101, 64.101, 65

See application file for complete search history.

(56) **References Cited**

U.S. PATENT DOCUMENTS

D407,364 S	*	3/1999	Fisker	D12/209
D428,846 S	*	8/2000	Yoshida et al.	D12/211
D432,974 S	*	10/2000	Jablonski	D12/211
D450,647 S	*	11/2001	Pfeiffer	D12/211
D450,650 S	*	11/2001	Cinibulk	D12/211
D454,527 S	*	3/2002	Bhambra	D12/209

D458,571 S	*	6/2002	Maifrini	D12/209
D460,037 S	*	7/2002	Takechi	D12/211
D467,855 S	*	12/2002	Laengerer	D12/209
D470,448 S	*	2/2003	Kataoka	D12/211
D475,674 S	*	6/2003	Baumgartner	D12/211
D485,524 S	*	1/2004	Bhambra	D12/209
D487,046 S	*	2/2004	Yamagishi	D12/209
D487,418 S	*	3/2004	Hieke	D12/211
D489,309 S	*	5/2004	Laengerer	D12/211
D502,677 S	*	3/2005	Baum	D12/209
D504,100 S	*	4/2005	Pollmann	D12/211

* cited by examiner

Primary Examiner—Stacia Cadmus

(74) *Attorney, Agent, or Firm*—Crowell & Moring LLP

(57) **CLAIM**

The ornamental design for a front face of a vehicle wheel, as shown and described.

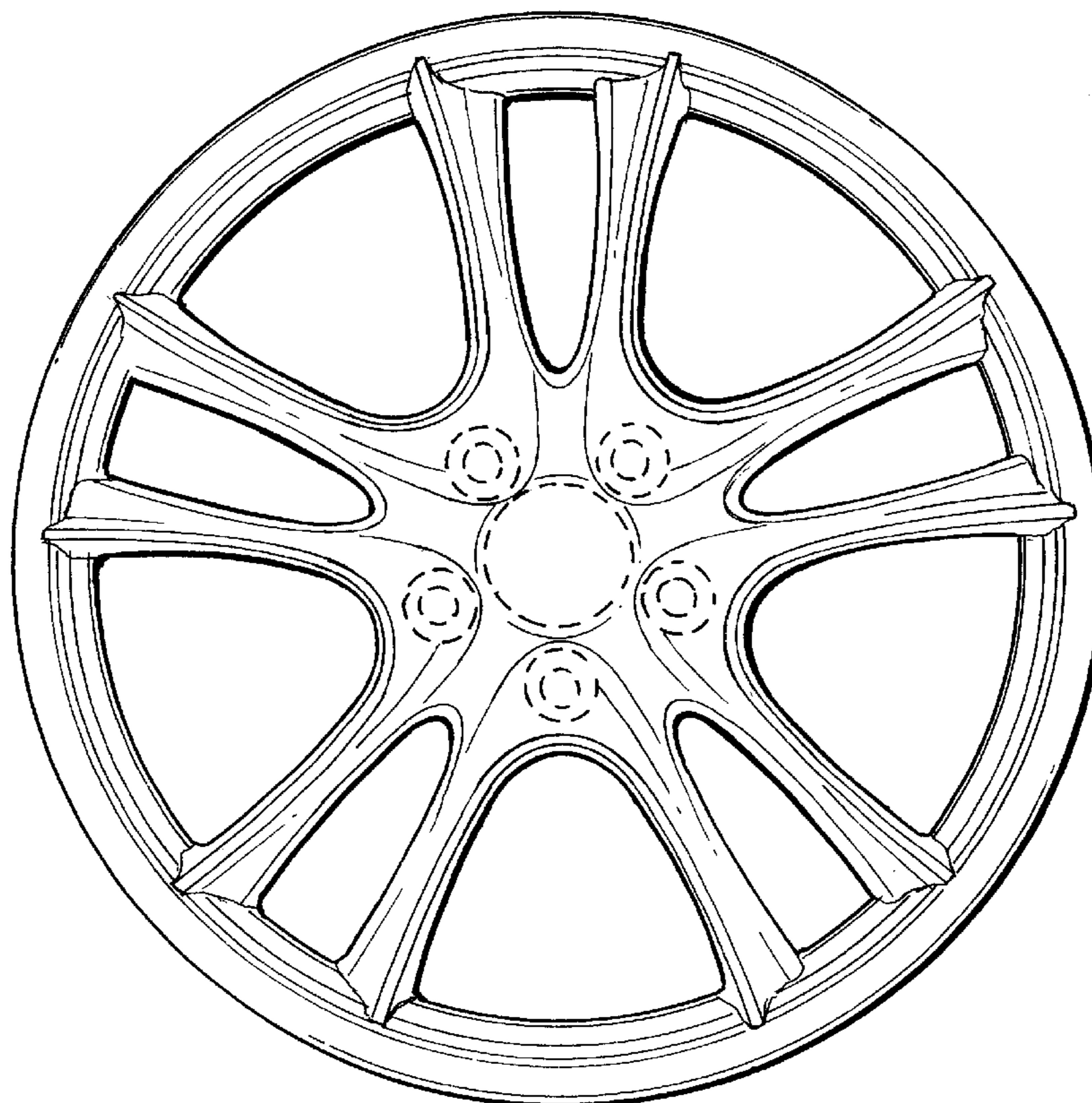
DESCRIPTION

FIG. 1 is a front view of a front face of a vehicle wheel according to my novel design; and,

FIG. 2 is a perspective view of the front face of a vehicle wheel according to my novel design.

The broken lines are for illustrative purposes only and form no part of the claimed design.

1 Claim, 1 Drawing Sheet



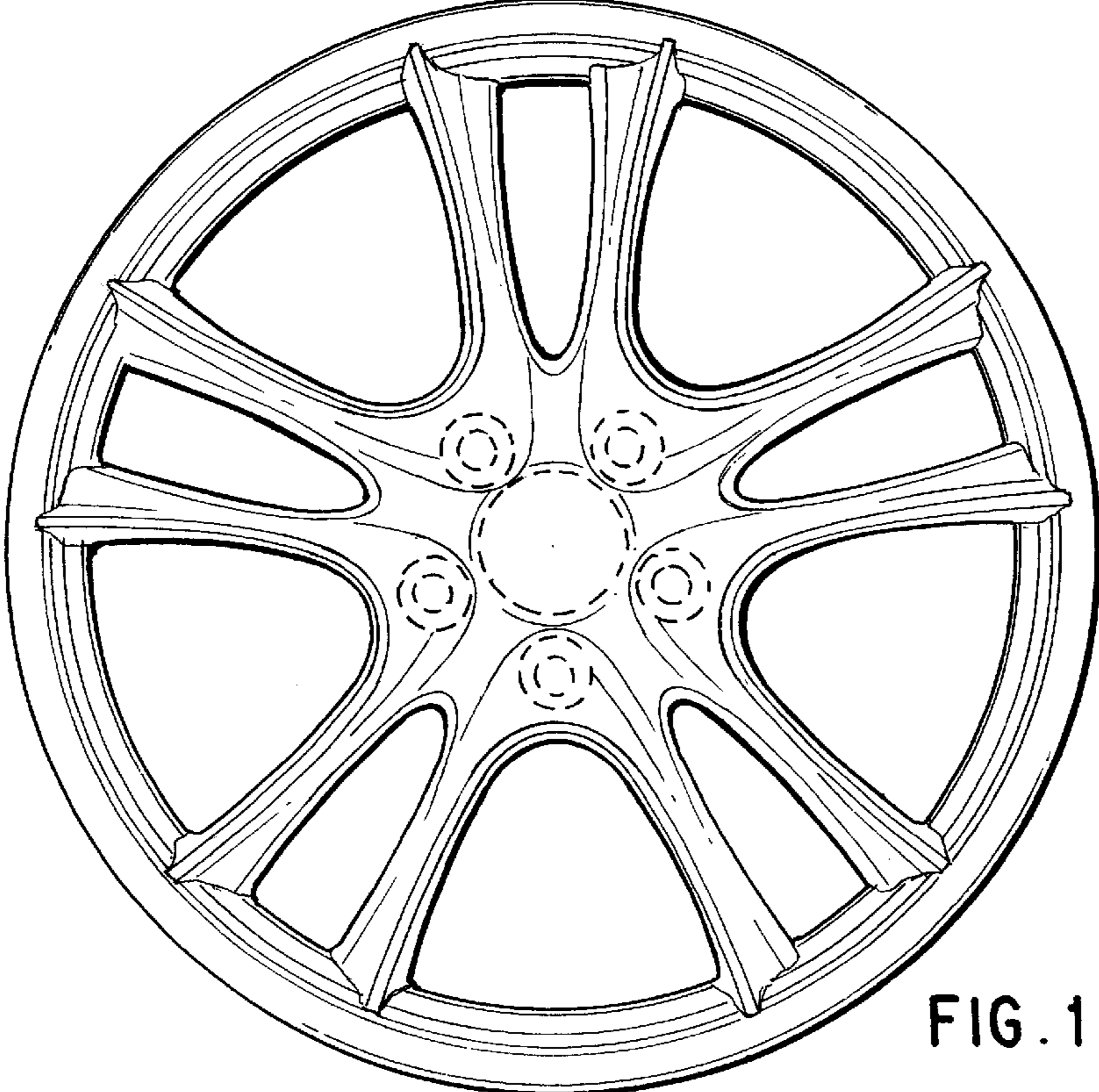


FIG. 1

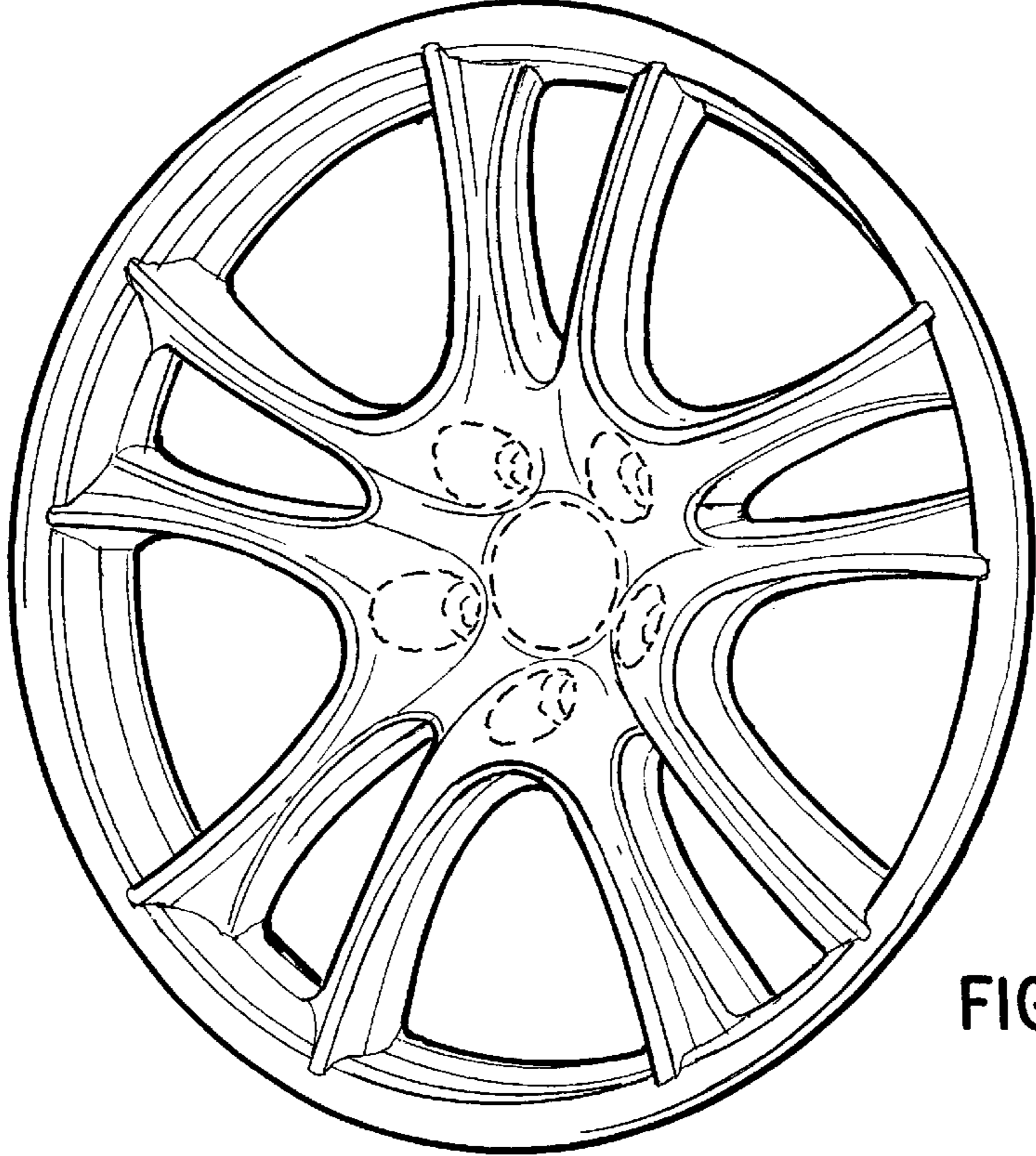


FIG. 2