



US00D516981S

(12) **United States Design Patent**
Sulahian

(10) **Patent No.:** **US D516,981 S**
(45) **Date of Patent:** **** Mar. 14, 2006**

(54) **FRONT FACE OF A VEHICLE WHEEL**

(76) Inventor: **Diko Sulahian**, 12717 Ann St., Santa Fe Springs, CA (US) 90670

(**) Term: **14 Years**

(21) Appl. No.: **29/209,807**

(22) Filed: **Jul. 22, 2004**

(51) **LOC (8) Cl.** **12-16**

(52) **U.S. Cl.** **D12/209**

(58) **Field of Classification Search** D12/204–213;
301/37.101, 64.101, 65

See application file for complete search history.

(56) **References Cited**

U.S. PATENT DOCUMENTS

| | | | | |
|------------|-----------|-----------------|-------|---------|
| D396,681 S | 8/1998 | Boyer | | D12/209 |
| D402,951 S | 12/1998 | Wechner | | D12/211 |
| D407,055 S | 3/1999 | Kelley | | D12/209 |
| D410,617 S | * 6/1999 | Hussaini et al. | | D12/209 |
| D412,480 S | * 8/1999 | Hussaini et al. | | D12/209 |
| D414,454 S | 9/1999 | Chung | | D12/211 |
| D415,094 S | 10/1999 | Neeper | | D12/211 |
| D416,533 S | 11/1999 | Sulahian | | D12/211 |
| D419,942 S | * 2/2000 | Lampkin | | D12/209 |
| D420,967 S | 2/2000 | Sacco et al. | | D12/209 |
| D421,953 S | 3/2000 | Sims et al. | | D12/211 |
| D432,071 S | 10/2000 | Brown | | D12/211 |
| D437,278 S | 2/2001 | Sulahian | | D12/211 |
| D444,756 S | 7/2001 | Brintouch | | D12/209 |
| D446,180 S | 8/2001 | Sulahian et al. | | D12/211 |
| D446,493 S | 8/2001 | Sulahian et al. | | D12/211 |
| D450,649 S | 11/2001 | Penzes | | D12/211 |
| D451,067 S | 11/2001 | Frizzi | | D12/211 |
| D451,462 S | 12/2001 | Donikoglu | | D12/209 |
| D451,872 S | 12/2001 | Arellano | | D12/209 |
| D455,697 S | 4/2002 | Chung | | D12/209 |
| D464,010 S | 10/2002 | Chung | | D12/211 |
| D464,308 S | 10/2002 | Chung | | D12/209 |
| D465,186 S | 11/2002 | Chung | | D12/211 |
| D466,467 S | * 12/2002 | Hodges | | D12/211 |
| D466,851 S | 12/2002 | Pfeiffer et al. | | D12/211 |
| D466,854 S | 12/2002 | Kern | | D12/211 |
| D469,727 S | 2/2003 | Lenz | | D12/209 |

| | | | | |
|------------|----------|-----------|-------|---------|
| D471,502 S | * 3/2003 | McMath | | D12/209 |
| D471,504 S | 3/2003 | Laengerer | | D12/211 |
| D472,864 S | 4/2003 | Kataoka | | D12/209 |
| D473,836 S | 4/2003 | Laengerer | | D12/211 |
| D474,439 S | 5/2003 | McMath | | D12/209 |
| D477,558 S | 7/2003 | Brintouch | | D12/211 |
| D478,305 S | 8/2003 | Kern | | D12/209 |
| D478,540 S | 8/2003 | Sulahian | | D12/209 |
| D478,541 S | 8/2003 | Sulahian | | D12/209 |
| D478,542 S | 8/2003 | Sulahian | | D12/209 |

(Continued)

OTHER PUBLICATIONS

Page from website of wtwwcorp.com showing 6-Oval Wheel Rim, date unknown but believed to be available more than one year prior to Oct. 22, 2003.

U.S. Appl. No. 29/207,605, filed Jun. 2004, Sulahian.

U.S. Appl. No. 29/192,204, filed Oct. 2003, Sulahian.

U.S. Appl. No. 29/207,805, filed Jun. 2004, Sulahian.

Primary Examiner—Stacia Cadmus

(74) *Attorney, Agent, or Firm*—Nixon & Vanderhye P.C.

(57) **CLAIM**

The ornamental design for a front face of a vehicle wheel, as shown and described.

DESCRIPTION

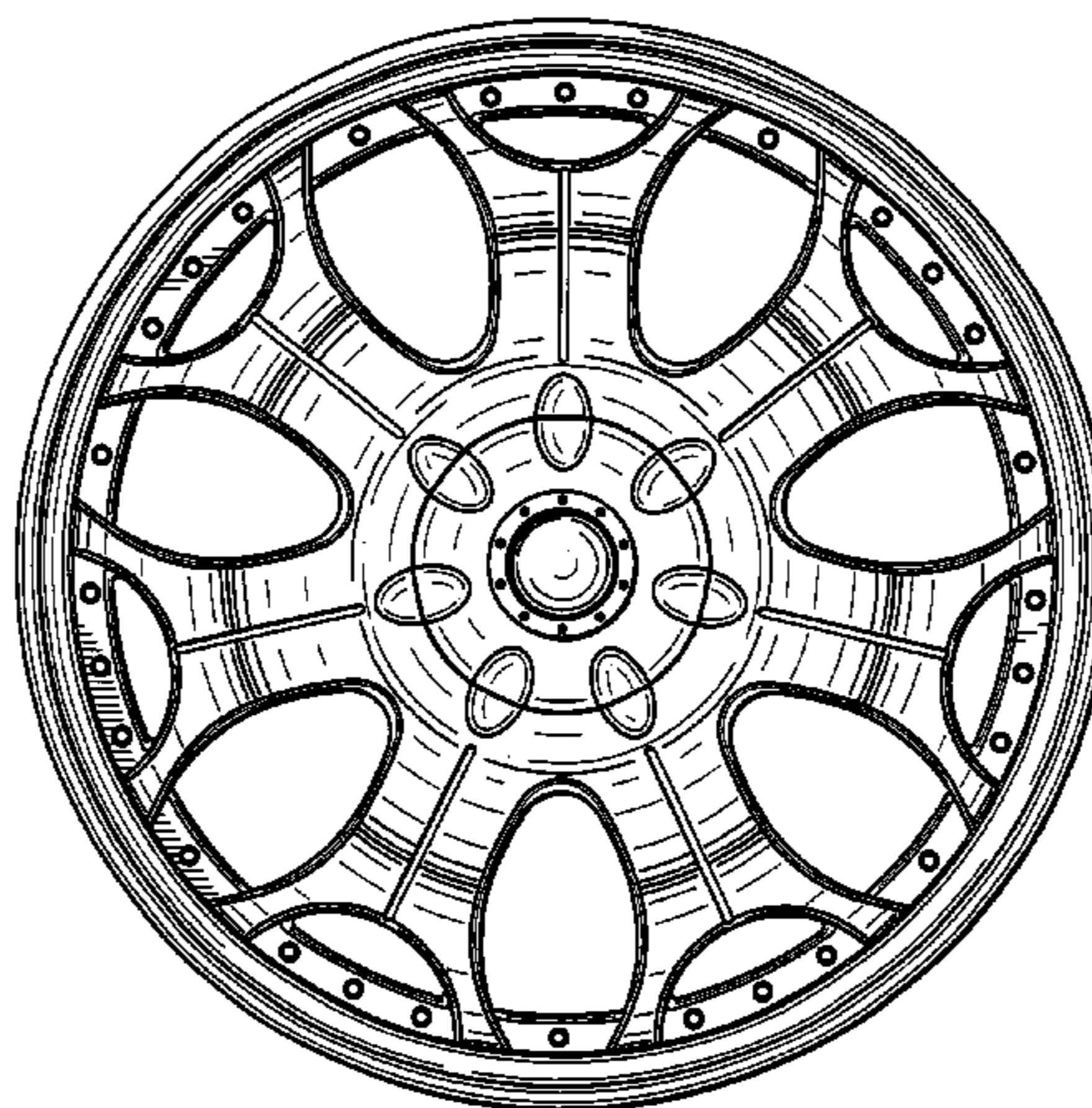
FIG. 1 is a front view of a front face of a vehicle wheel showing my new design;

FIG. 2 is a front and right side perspective view of the front face of the wheel shown in FIG. 1; and,

FIG. 3 is a different perspective view of the front face of the wheel shown in FIG. 1.

Throughout the various figures of the drawings, certain views are not provided. The omission of a particular view is intended to convey that the element(s) depicted is/are plain and unornamented in that omitted view, or that the particular ornamental appearance in that view is simply not claimed. Where included, broken lines showing environment or structure are for illustrative purposes only and form no part of the claimed design.

1 Claim, 3 Drawing Sheets



US D516,981 S

Page 2

U.S. PATENT DOCUMENTS

| | | | | | | | |
|------------|----------|----------------|---------|------------|-----------|--------------------|---------|
| D479,172 S | 9/2003 | Sulahian | D12/209 | D493,764 S | 8/2004 | Sulahian | D12/211 |
| D479,174 S | 9/2003 | McMath | D12/209 | D494,124 S | 8/2004 | Aiello et al. | D12/211 |
| D479,178 S | 9/2003 | Lai | D12/211 | D496,318 S | * 9/2004 | Cheng | D12/209 |
| D481,984 S | 11/2003 | Sulahian | D12/211 | D496,622 S | * 9/2004 | Cheng | D12/209 |
| D482,309 S | 11/2003 | Sulahian | D12/211 | D500,276 S | * 12/2004 | Cheng | D12/209 |
| D482,996 S | 12/2003 | Sulahian | D12/211 | D500,723 S | * 1/2005 | Alimchandani | D12/209 |
| D491,124 S | * 6/2004 | Rice | D12/209 | D505,375 S | * 5/2005 | Kushartanto | D12/211 |

* cited by examiner

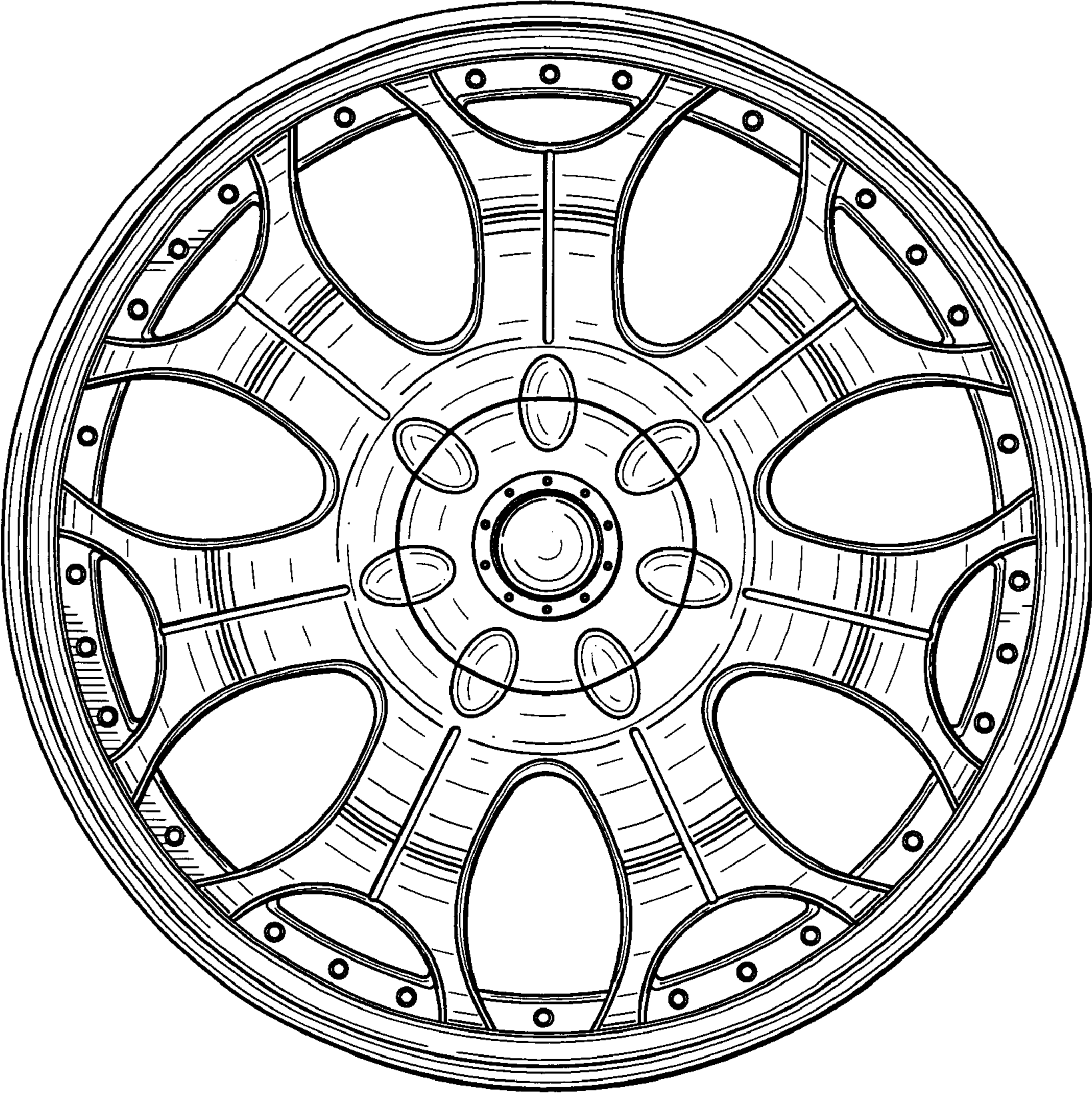


Fig. 1

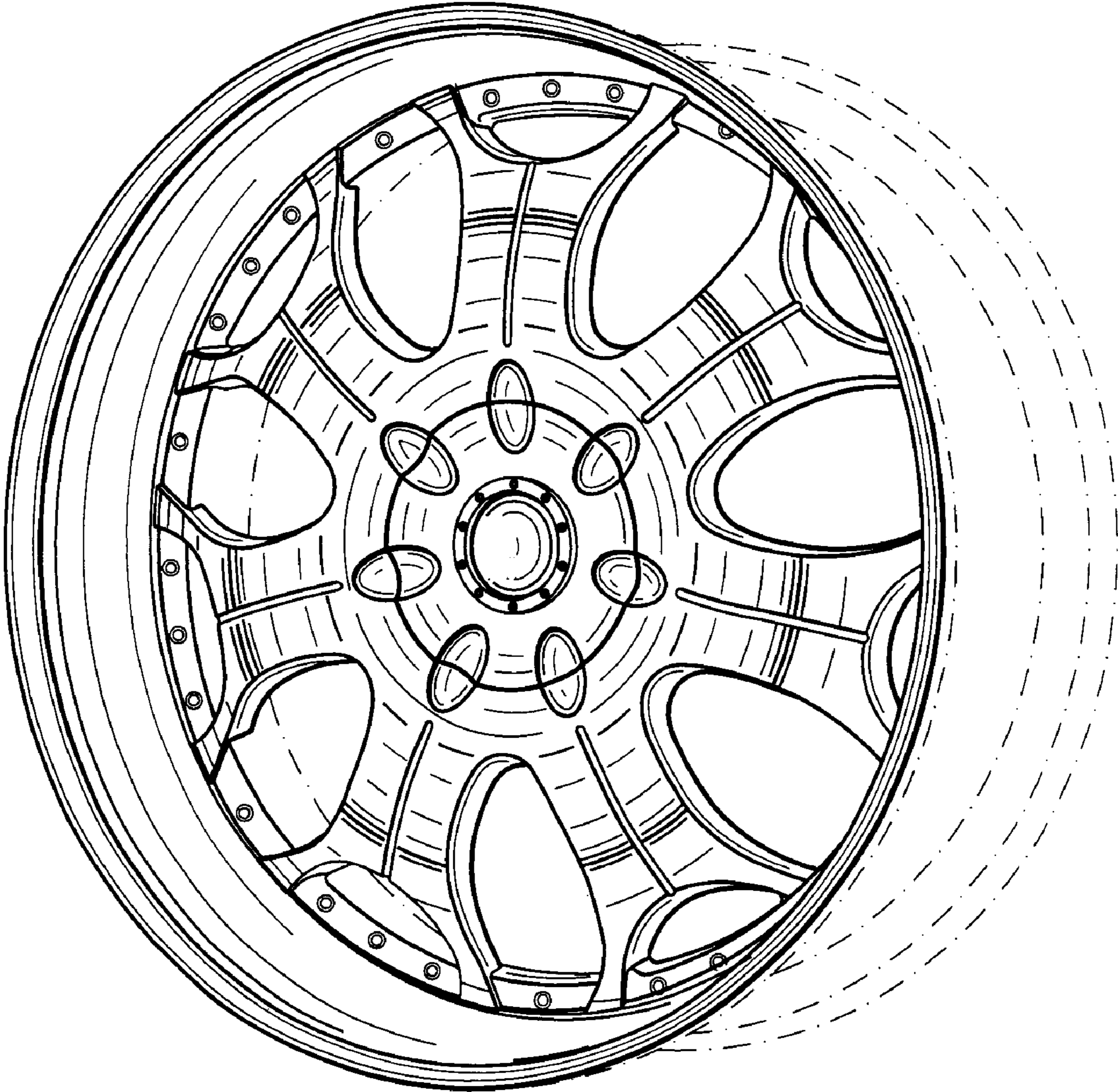


Fig. 2

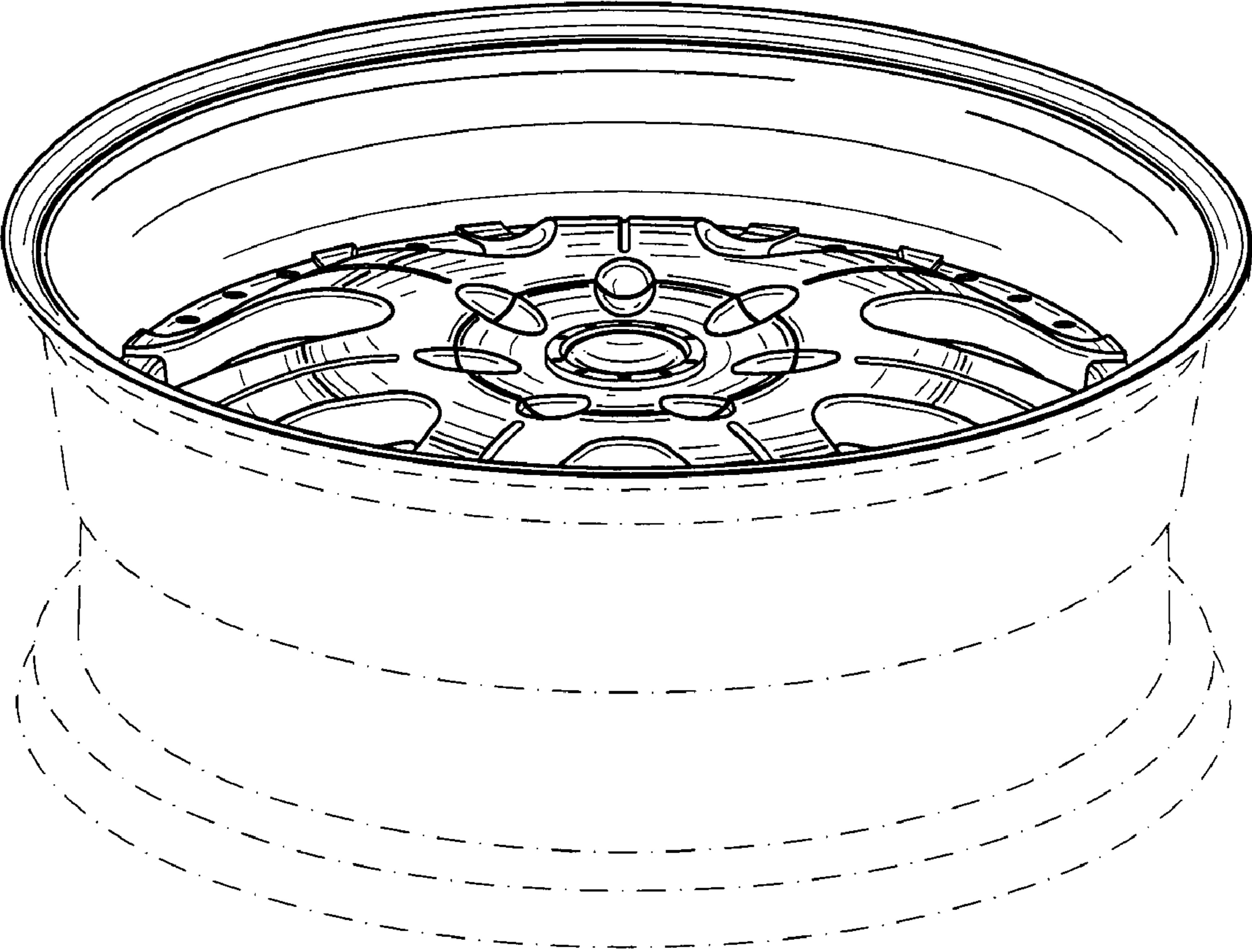


Fig. 3