



US00D516979S

(12) **United States Design Patent**  
**Muzzarelli**

(10) **Patent No.:** **US D516,979 S**  
(45) **Date of Patent:** **\*\* Mar. 14, 2006**

(54) **FRONT FACE OF A WHEEL**  
(75) Inventor: **Marco Muzzarelli**, Gardena, CA (US)  
(73) Assignee: **Claus Ettensberger Corp.**, Gardena, CA (US)

D453,722 S \* 2/2002 Fitzgerald ..... D12/209  
D460,729 S \* 7/2002 Khan ..... D12/209  
D471,500 S \* 3/2003 Kataoka ..... D12/209  
D492,238 S \* 6/2004 Bernoni ..... D12/211  
D503,915 S \* 4/2005 Markefka ..... D12/209

\* cited by examiner

(\*\*) Term: **14 Years**

*Primary Examiner*—Stacia Cadmus  
(74) *Attorney, Agent, or Firm*—Berenato, White & Stavish LLC

(21) Appl. No.: **29/188,294**

(22) Filed: **Aug. 18, 2003**

(57) **CLAIM**

(51) **LOC (8) Cl.** ..... **12-16**

(52) **U.S. Cl.** ..... **D12/209**

(58) **Field of Classification Search** ..... D12/204–213;  
301/37.101, 64.101, 65

The ornamental design for a front face of a wheel, as shown and described.

See application file for complete search history.

**DESCRIPTION**

(56) **References Cited**

**U.S. PATENT DOCUMENTS**

D204,669 S \* 5/1966 Goodwin ..... D12/209  
D419,941 S \* 2/2000 Chung ..... D12/209  
D432,068 S \* 10/2000 Fitzgerald ..... D12/209

FIG. 1 is a front view of a front face of a wheel showing our new design; and, FIG. 2 is a top and left side perspective view of the wheel shown in FIG. 1.

The broken line showing of environment is for illustrative purposes only and forms no part of the claimed design.

**1 Claim, 2 Drawing Sheets**

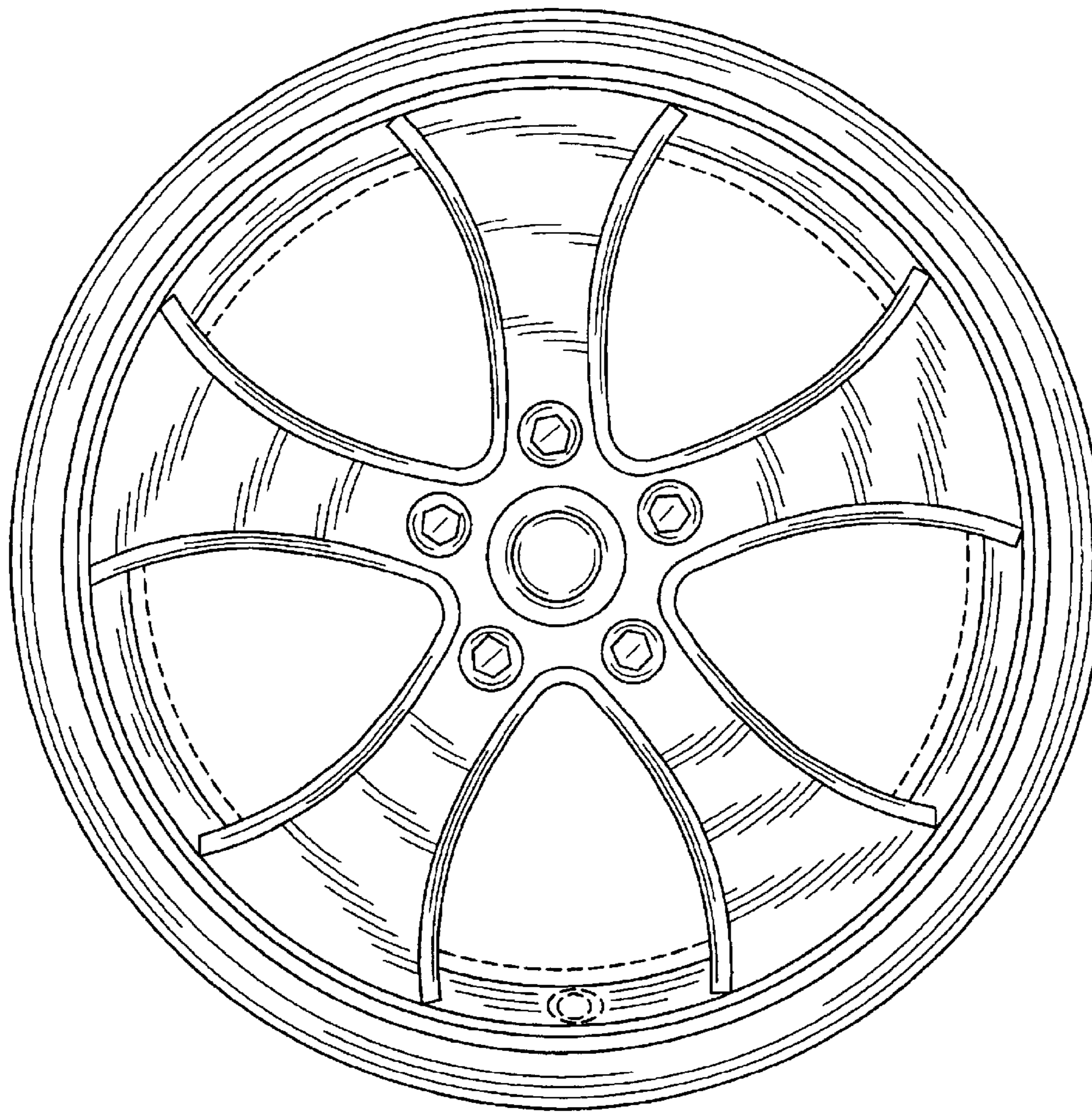


Fig. 1

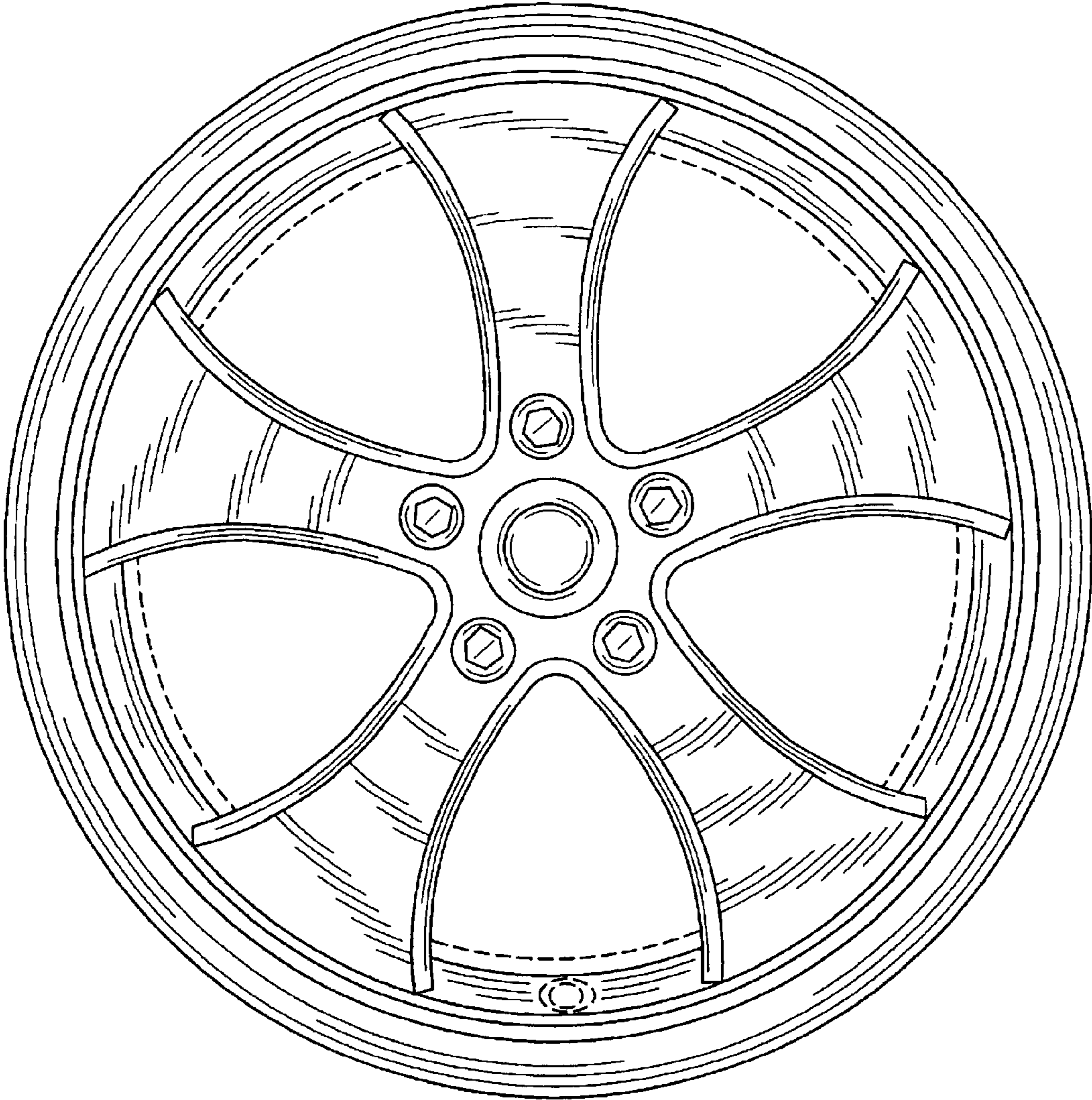


Fig. 2

