



US00D516976S

(12) **United States Design Patent**  
**Davis, Jr.**

(10) **Patent No.:** **US D516,976 S**  
(45) **Date of Patent:** **\*\* Mar. 14, 2006**

(54) **MOTORCYCLE UNDERTAIL EXHAUST**  
(76) **Inventor:** **Roger George Lee Davis, Jr.**, 1271  
Mountain Park Pl., Escondido, CA (US)  
92027

(\*\*) **Term:** **14 Years**

(21) **Appl. No.:** **29/211,012**

(22) **Filed:** **Aug. 10, 2004**

(51) **LOC (8) Cl.** ..... **12-16**

(52) **U.S. Cl.** ..... **D12/194**

(58) **Field of Classification Search** ..... D12/110,  
D12/181, 186, 194; 180/89.2, 219, 225, 229,  
180/296, 309; 293/105; 280/304.3, 152.1-152.3,  
280/770, 160.1, 848, 852; 296/77.1, 78.1,  
296/85, 195

See application file for complete search history.

(56) **References Cited**

**U.S. PATENT DOCUMENTS**

4,478,306	A	*	10/1984	Tagami	.....	180/229
4,484,651	A	*	11/1984	Hattori et al.	.....	180/225
4,633,965	A	*	1/1987	Tsurumi et al.	.....	180/229
4,662,470	A	*	5/1987	Fujisawa et al.	.....	180/219
4,690,236	A	*	9/1987	Shinozaki et al.	.....	180/219
4,712,637	A	*	12/1987	Mogi et al.	.....	180/219
4,881,614	A	*	11/1989	Hoshi et al.	.....	180/225
D313,380	S	*	1/1991	Imai et al.	.....	D12/110
5,016,725	A	*	5/1991	Muramatsu	.....	180/225
D333,641	S	*	3/1993	Sakaguchi et al.	.....	D12/110
5,211,255	A	*	5/1993	Fukuda	.....	180/219

D382,835	S	*	8/1997	Abe et al.	.....	D12/110
D422,244	S	*	4/2000	Heinrich et al.	.....	D12/110
D437,262	S	*	2/2001	Robb et al.	.....	D12/110
6,332,505	B1	*	12/2001	Tateshima et al.	.....	180/229
6,341,792	B1	*	1/2002	Okuma	.....	280/304.3
D457,836	S	*	5/2002	Kohama et al.	.....	D12/110
D500,972	S	*	1/2005	Davis, Jr.	.....	D12/194
2002/0043415	A1	*	4/2002	Okuma et al.	.....	180/225
2003/0079938	A1	*	5/2003	Yamaguchi	.....	180/227
2003/0132048	A1	*	7/2003	Hata	.....	180/219

\* cited by examiner

*Primary Examiner*—Alan P. Douglas

*Assistant Examiner*—Linda Brooks

(74) *Attorney, Agent, or Firm*—Stephen C. Beuerle;  
Procopio Cory Hargreaves & Savitch LLP

(57) **CLAIM**

The ornamental design for a motorcycle undertail exhaust,  
as shown and described.

**DESCRIPTION**

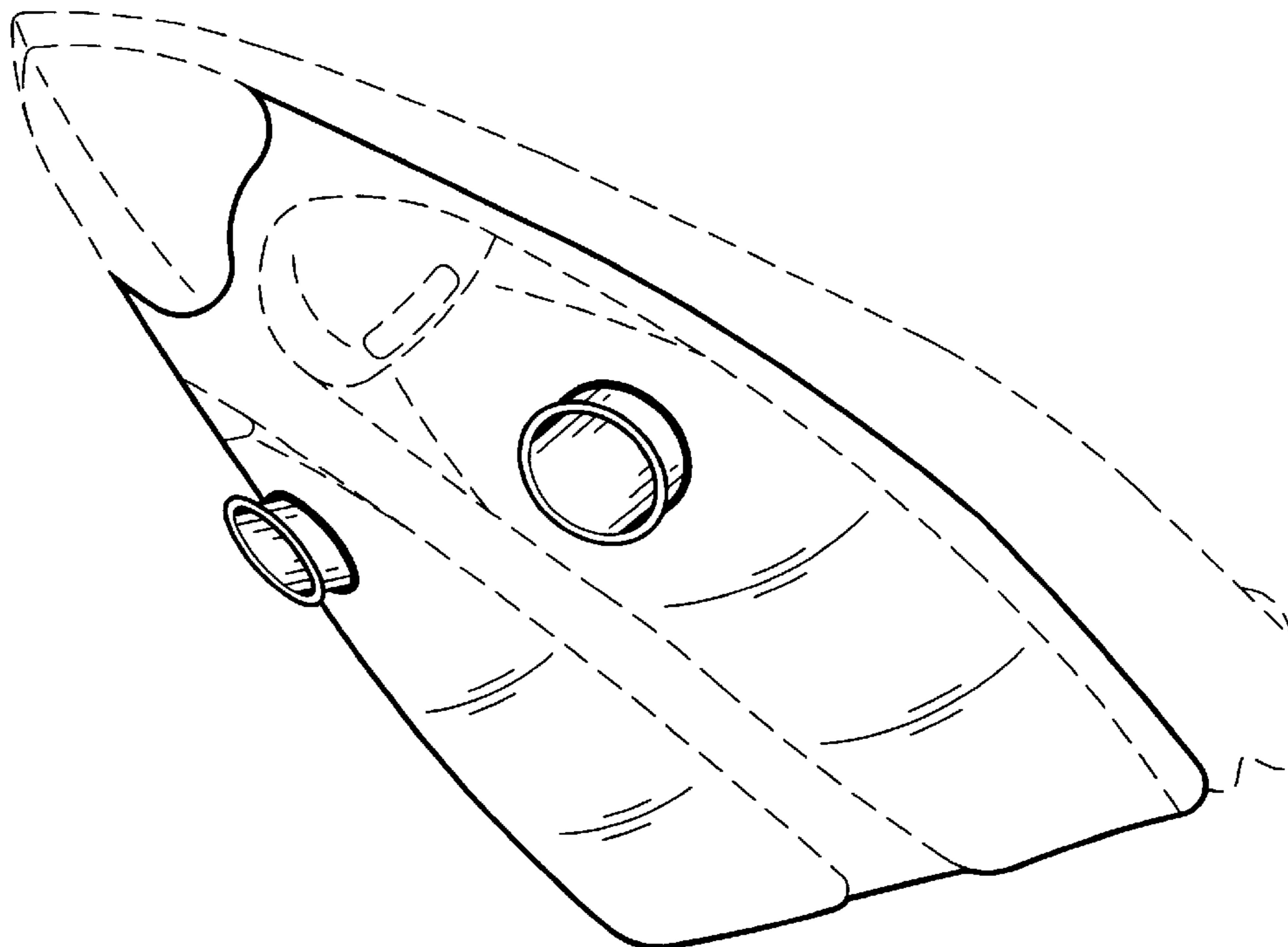
FIG. 1 is a rear perspective view of an embodiment of the  
motorcycle undertail exhaust.

FIG. 2 is a rear elevational view of the motorcycle undertail  
exhaust; and,

FIG. 3 is a bottom plan view of the motorcycle undertail  
exhaust.

The broken lines shown in FIGS. 1-3 are included for the  
purpose of illustrating environmental elements only and  
form no part of the claimed design.

**1 Claim, 2 Drawing Sheets**



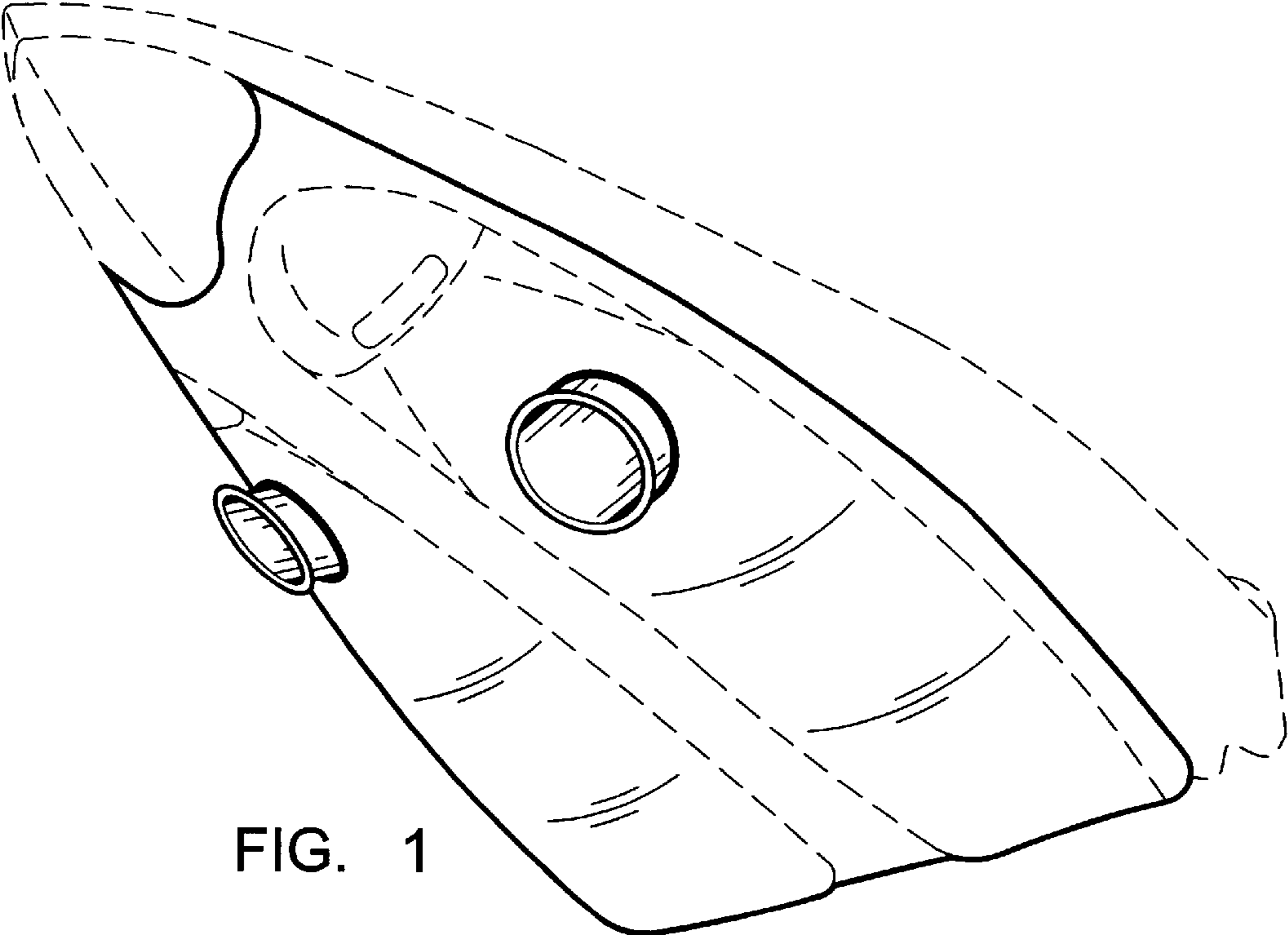


FIG. 1

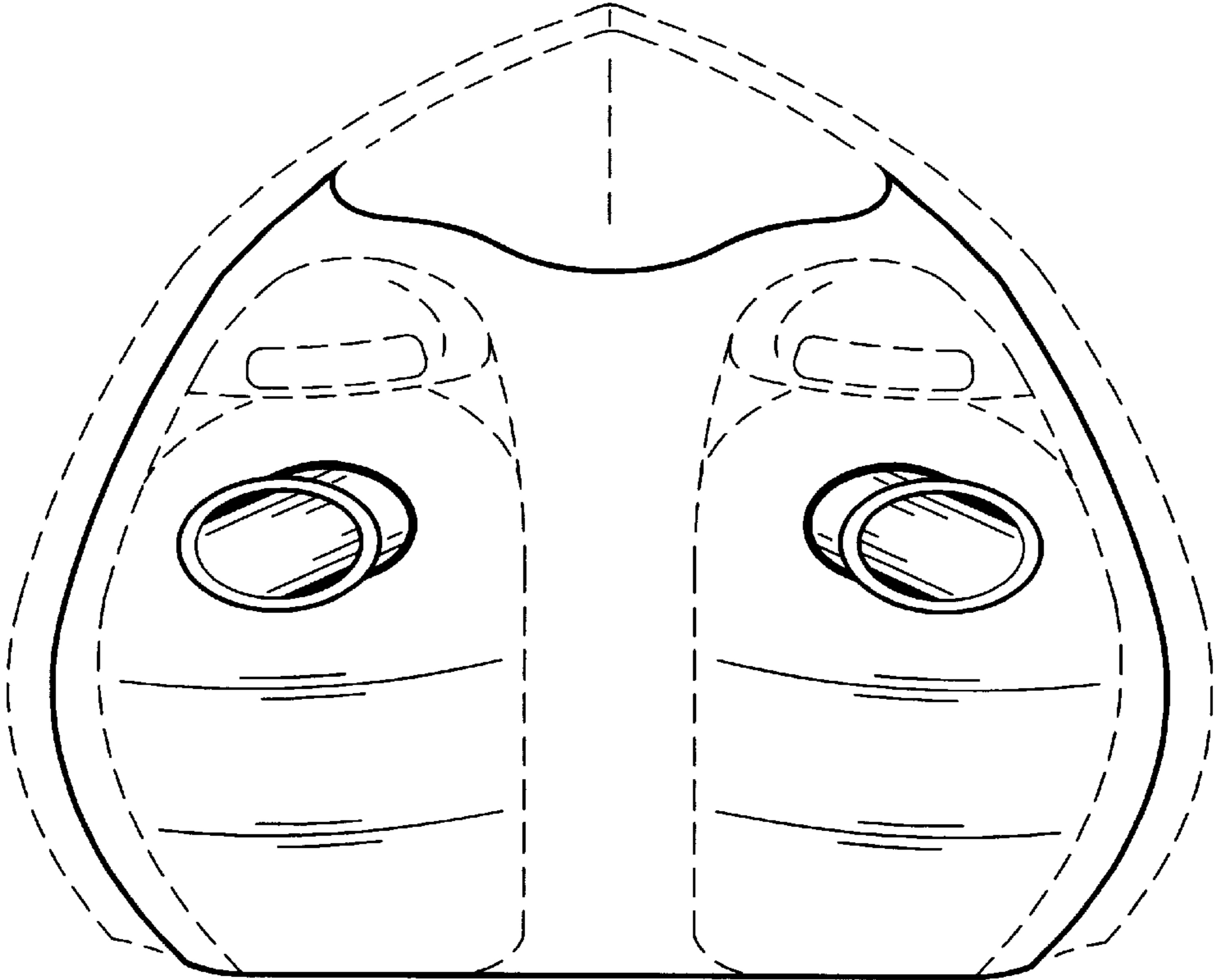


FIG. 2

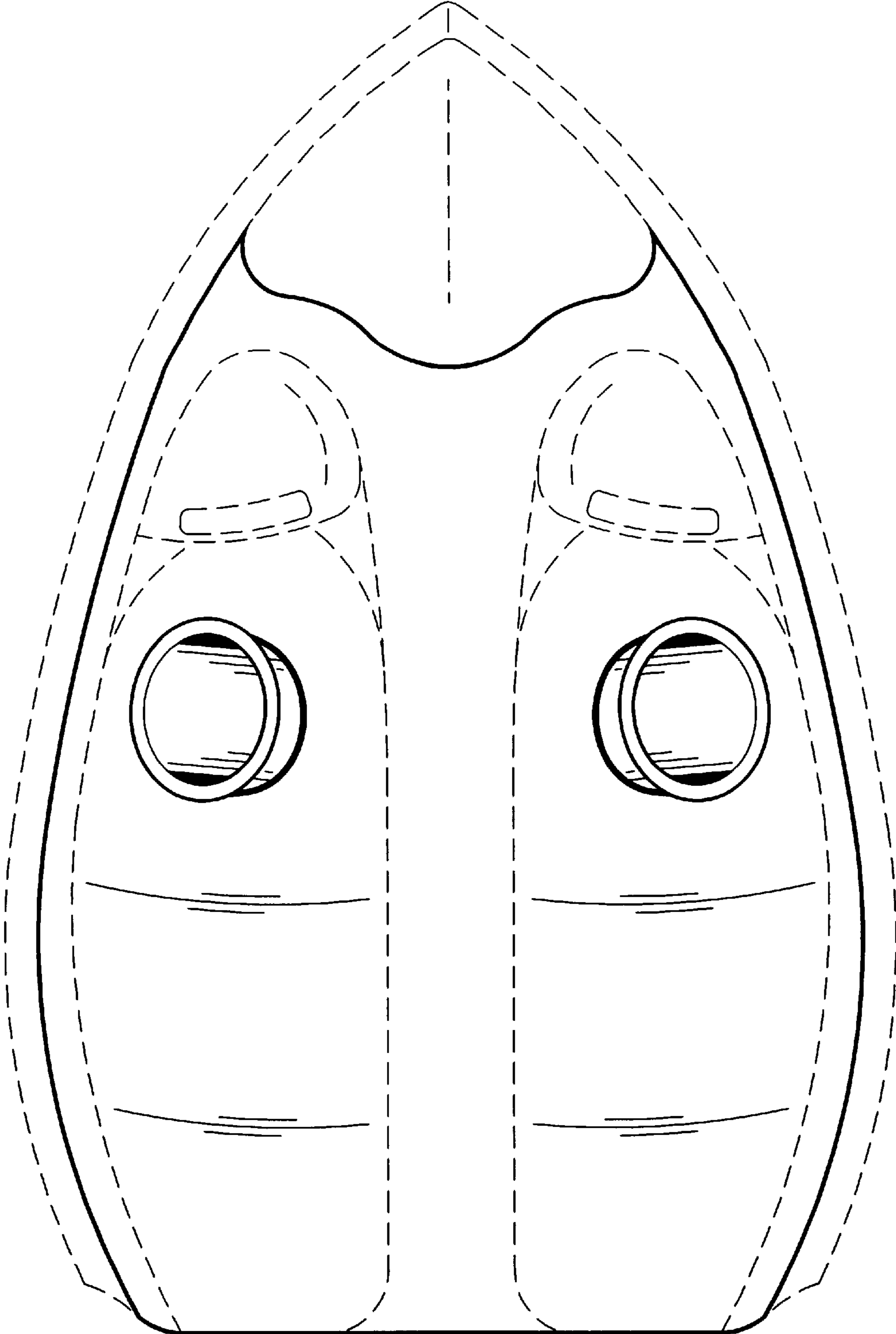


FIG. 3