



US00D516971S

(12) **United States Design Patent**
Hess

(10) **Patent No.:** **US D516,971 S**
(45) **Date of Patent:** **** Mar. 14, 2006**

(54) **REAR BUMPER**

(75) Inventor: **Randy Hess**, Turlock, CA (US)

(73) Assignee: **Hess Precision Laser, Inc.**, Modesto, CA (US)

(**) Term: **14 Years**

(21) Appl. No.: **29/222,196**

(22) Filed: **Jan. 25, 2005**

(51) **LOC (8) Cl.** **12-16**

(52) **U.S. Cl.** **D12/169**

(58) **Field of Classification Search** D12/90-92,
D12/86, 169, 196, 163; 296/180.1, 180.2;
293/102, 113, 115, 117, 120
See application file for complete search history.

(56) **References Cited**

U.S. PATENT DOCUMENTS

- D375,067 S * 10/1996 Bronstein D12/169
- D400,146 S * 10/1998 Marsceau et al. D12/169
- D413,559 S * 9/1999 Tayar D12/169

- D415,458 S * 10/1999 Schindler D12/169
- D431,506 S * 10/2000 Runfolo D12/169
- D503,135 S * 3/2005 Metros et al. D12/169

* cited by examiner

Primary Examiner—Melody N. Brown

(74) *Attorney, Agent, or Firm*—Christensen O'Connor Johnson Kindness PLLC

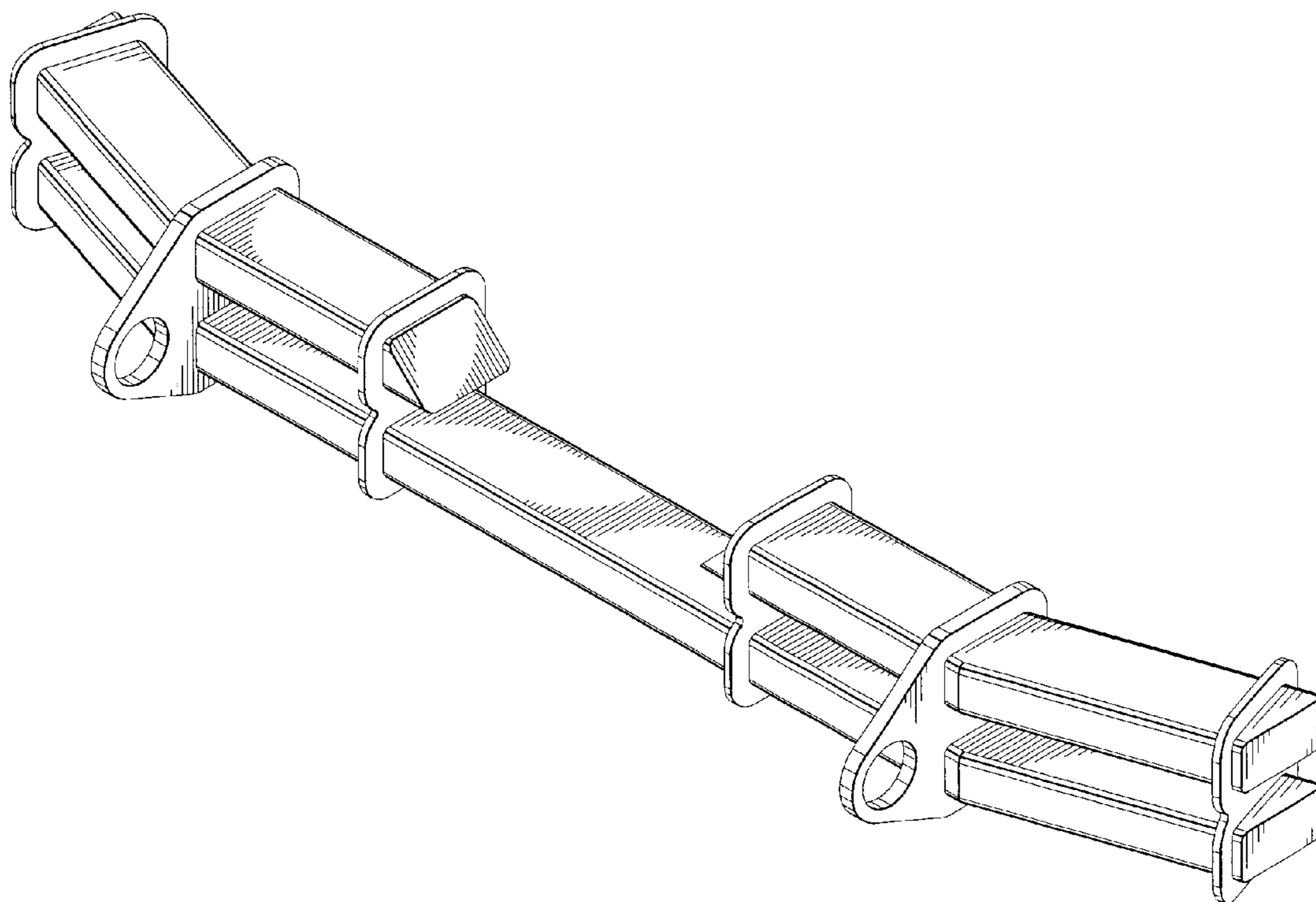
(57) **CLAIM**

The ornamental design for a rear bumper, as shown and described.

DESCRIPTION

FIG. 1 is a perspective view of a rear bumper showing my new design;
FIG. 2 is a front elevational view thereof;
FIG. 3 is a rear elevational view thereof;
FIG. 4 is a side elevational view thereof;
FIG. 5 is an opposite side elevational view thereof;
FIG. 6 is a top plan view thereof; and,
FIG. 7 is a bottom plan view thereof.

1 Claim, 3 Drawing Sheets



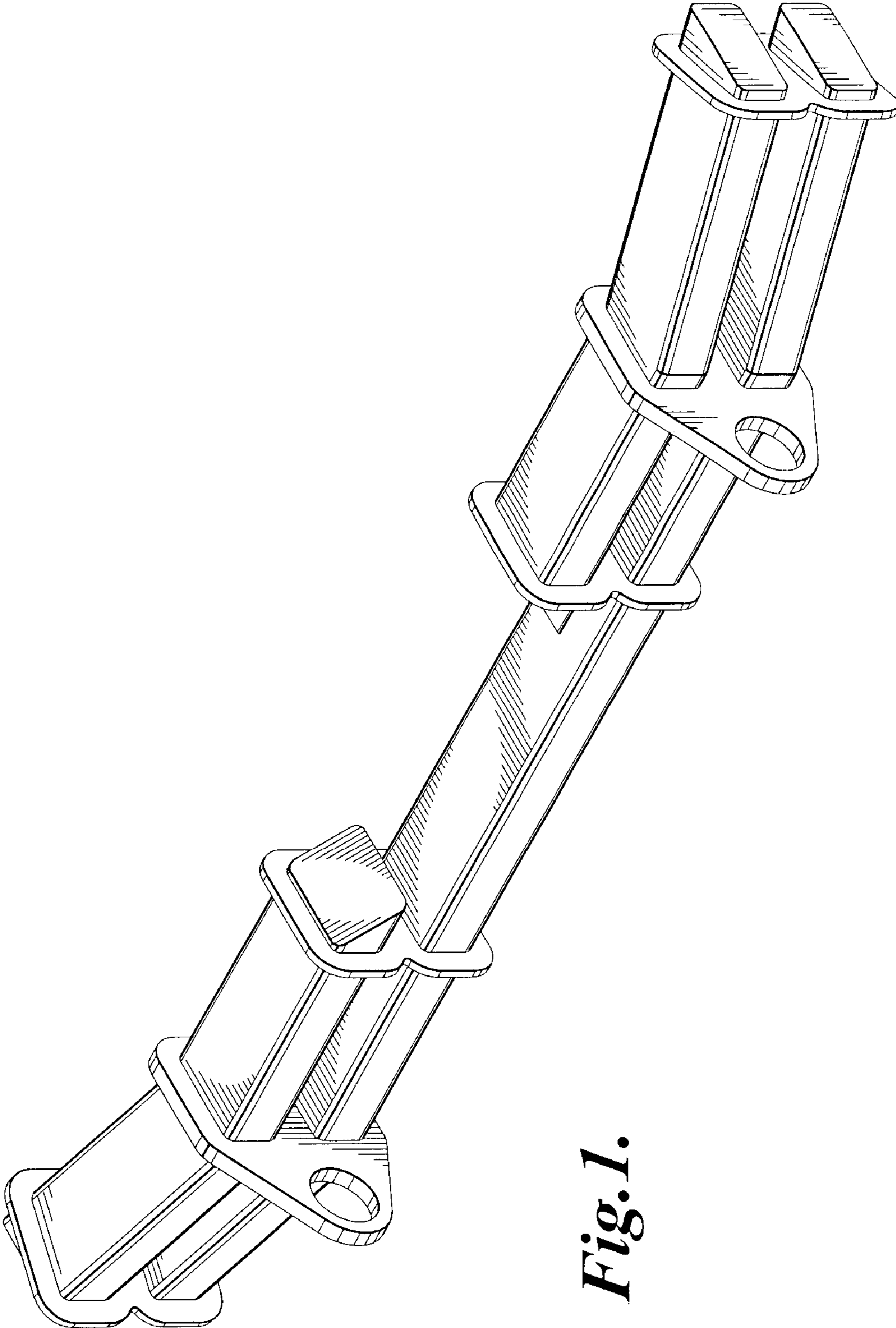


Fig. 1.

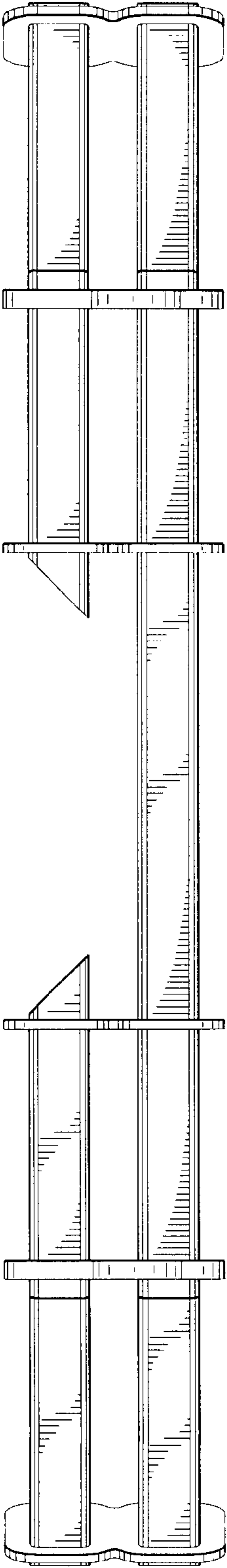


Fig. 2.

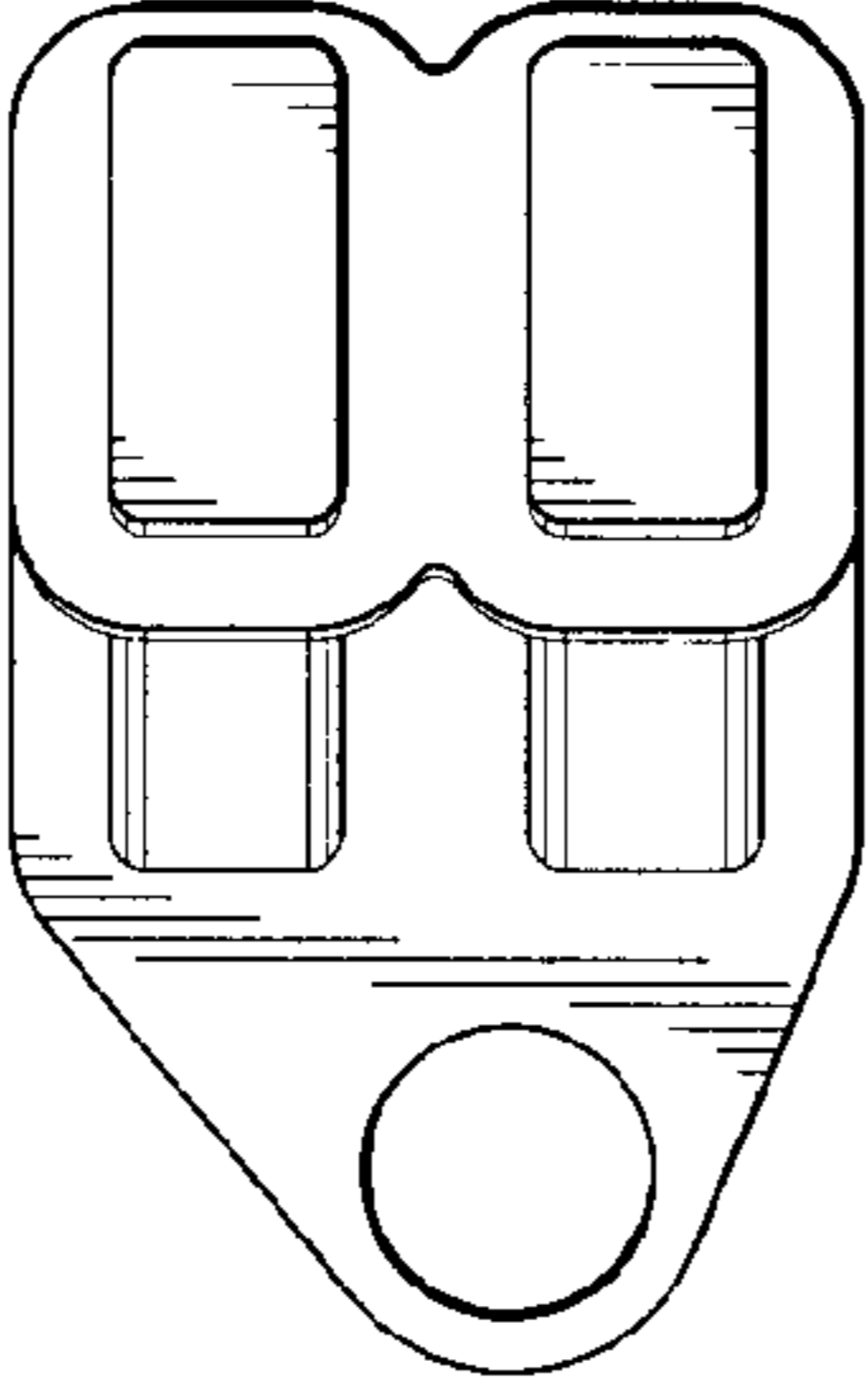


Fig. 5.

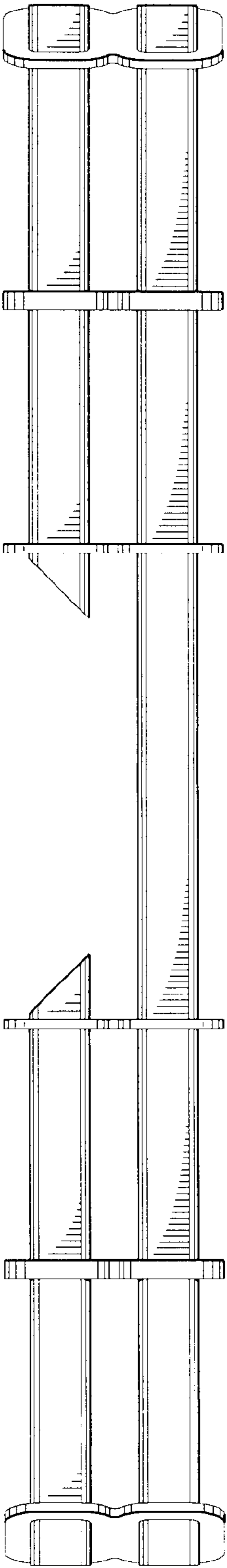


Fig. 3.

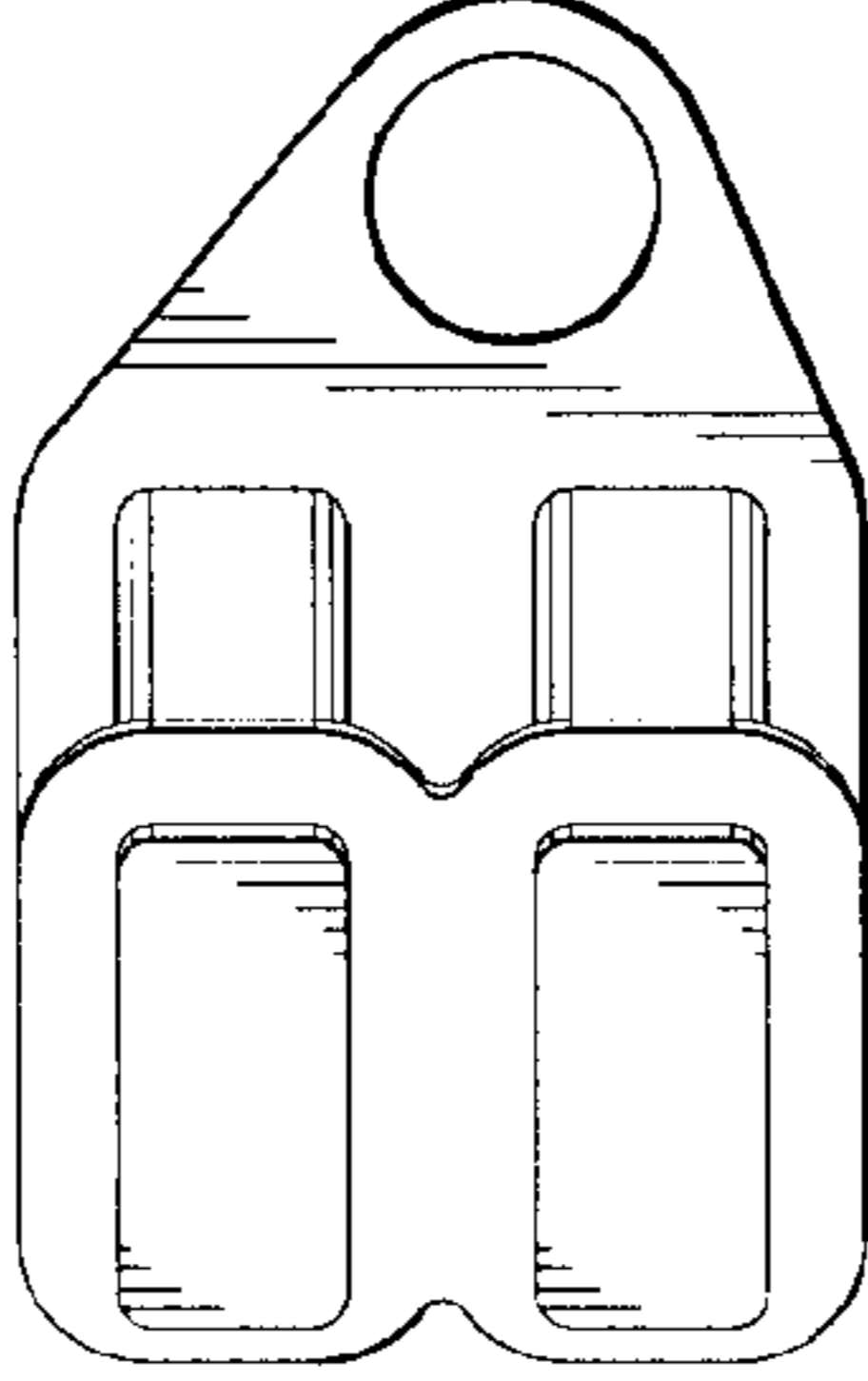


Fig. 4.

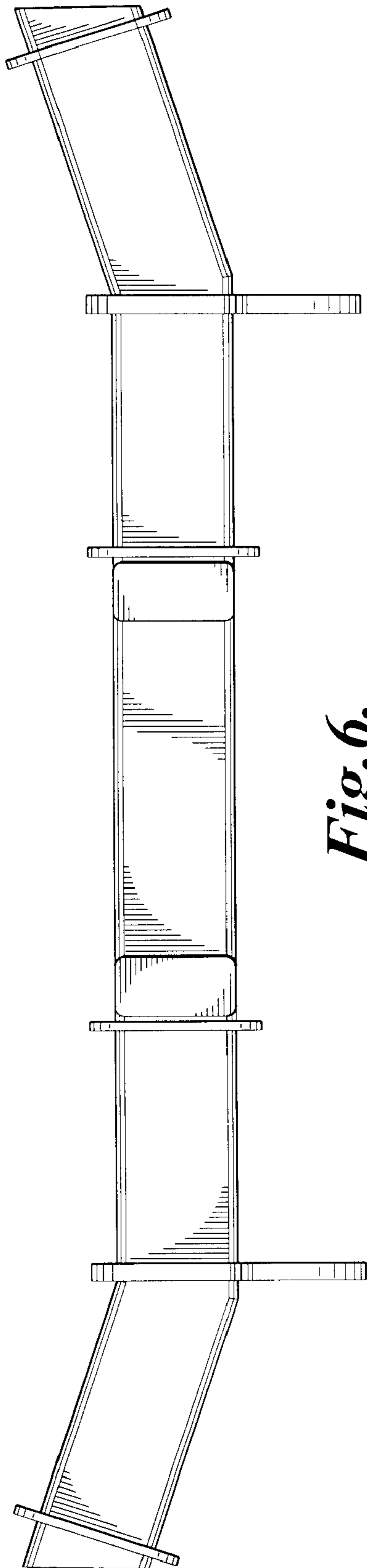


Fig. 6.

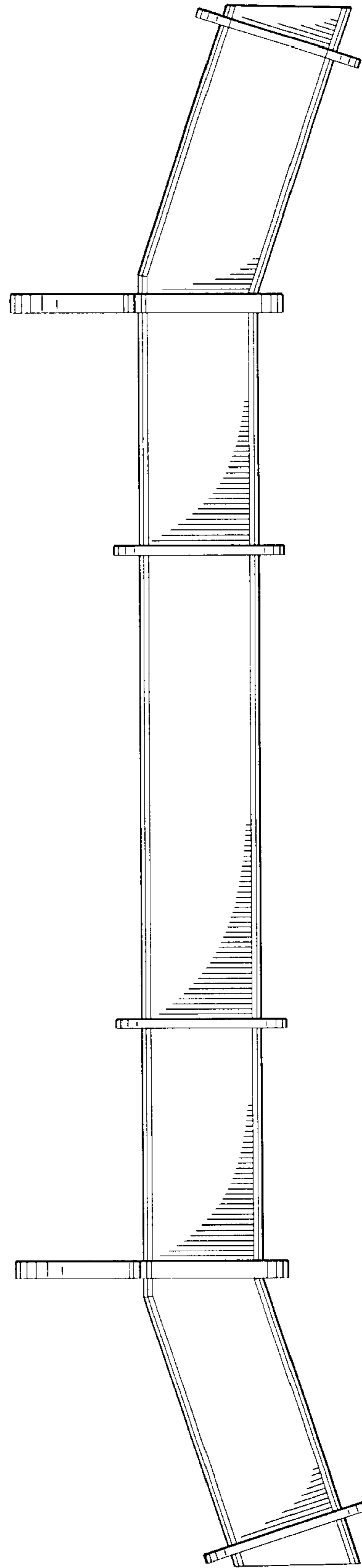


Fig. 7.