



US00D516966S

(12) **United States Design Patent**
Wirtz

(10) **Patent No.:** **US D516,966 S**
(45) **Date of Patent:** **** Mar. 14, 2006**

(54) **PEDAL FOR A MOTORCYCLE**

(75) Inventor: **Christian Federico Wirtz**, Santa Rosa, FL (US)

(73) Assignee: **Trailmaster S.R.L.**, Provincia de Buenos Aires (AR)

(**) Term: **14 Years**

(21) Appl. No.: **29/212,694**

(22) Filed: **Sep. 7, 2004**

(30) **Foreign Application Priority Data**

May 18, 2004 (AR) 72.186

(51) **LOC (8) Cl.** **12-11**

(52) **U.S. Cl.** **D12/125**

(58) **Field of Classification Search** D12/110,
D12/114, 122, 125, 174, 179, 223; 74/473.16,
74/512, 560, 513, 562, 564; 180/219; D8/382;
280/288.4, 291

See application file for complete search history.

(56) **References Cited**

U.S. PATENT DOCUMENTS

4,083,263 A * 4/1978 Lundquist 74/473.16
D270,823 S * 10/1983 Mounts D12/114

* cited by examiner

Primary Examiner—Alan P. Douglas
Assistant Examiner—Linda Brooks

(74) *Attorney, Agent, or Firm*—Pendorf & Cutliff

(57) **CLAIM**

The ornamental design for a pedal for a motorcycle, as shown and described.

DESCRIPTION

FIG. 1 is a perspective view of my new design in fully assembled configuration.

FIG. 2 is a side view of FIG. 1.

FIG. 3 is a side view thereof on a reduced scale with broken lines showing another pedal of a motorcycle gearshift for illustrative purpose only and forming no part of the claimed design.

FIG. 4 is another embodiment of my design, the difference being the modified angle of the upper part and minor difference in the shape of the side element.

FIG. 5 is another embodiment of my design, the difference being in the modified angle of the upper part and minor difference in the shape of the side element.

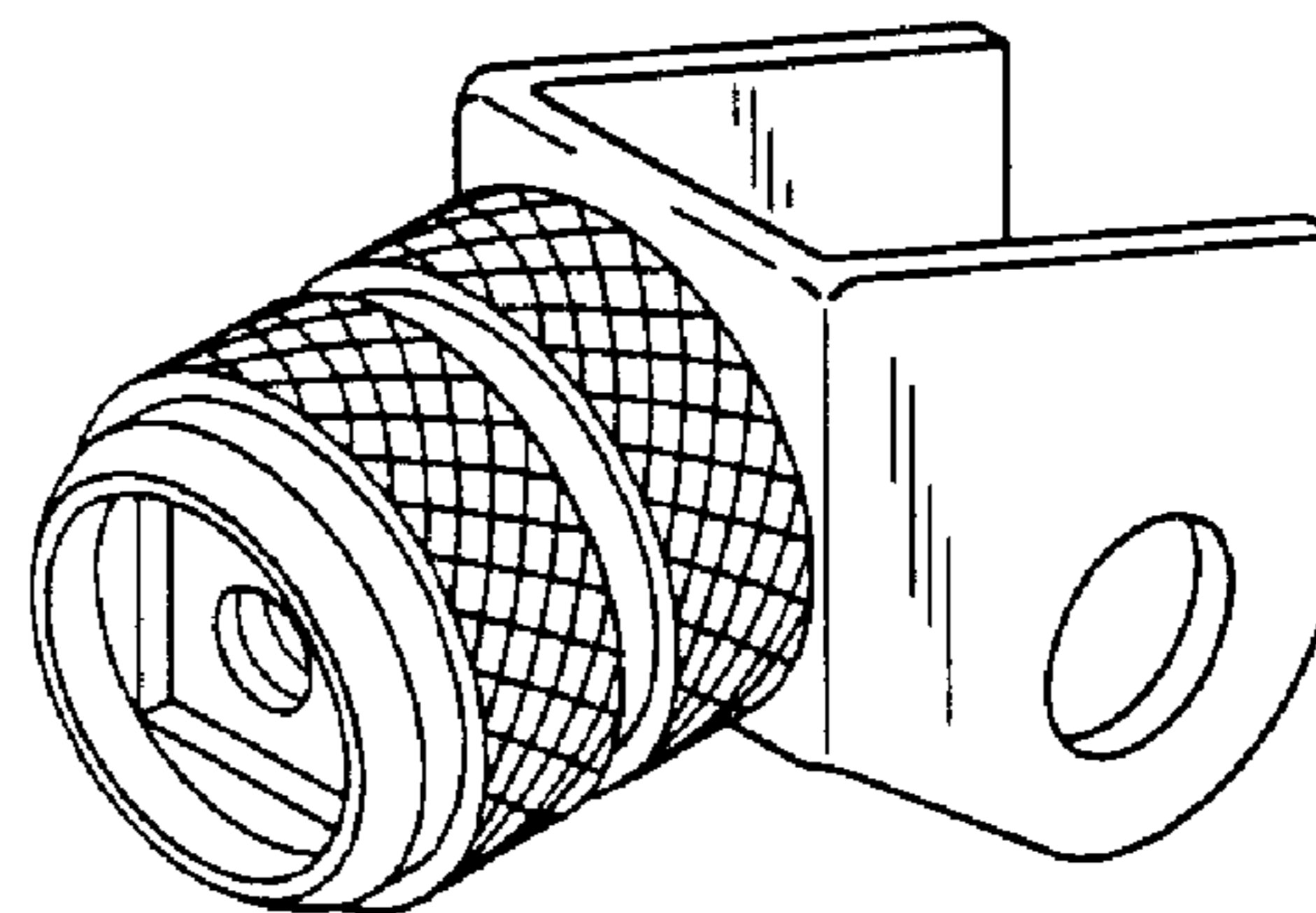
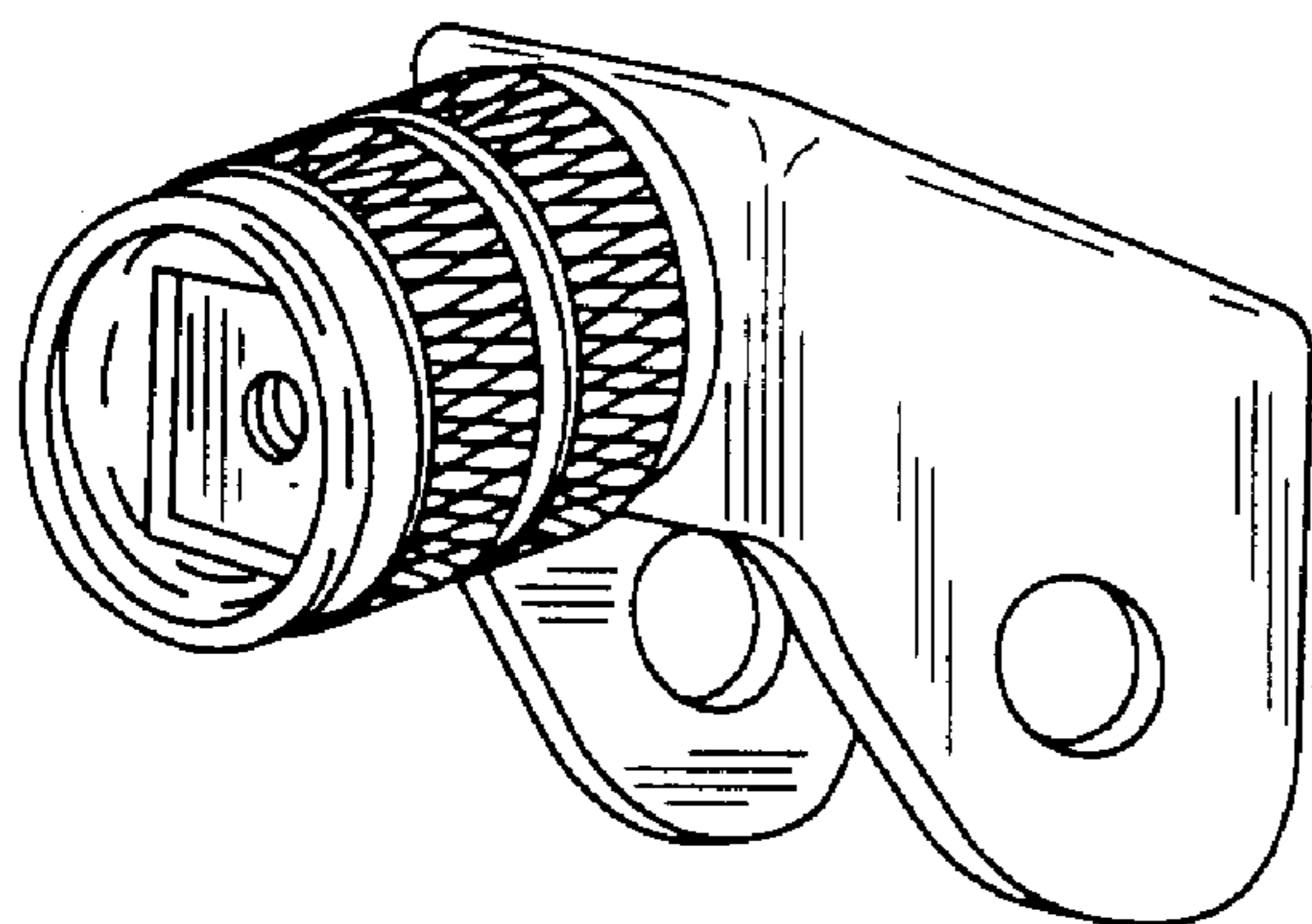
FIG. 6 shows a perspective view of the pedal for a motorcycle of FIG. 4.

FIG. 7 shows a top view of FIG. 1.

FIG. 8 shows a bottom view of FIG. 1; and,

FIG. 9 shows a back view of FIG. 1.

1 Claim, 2 Drawing Sheets



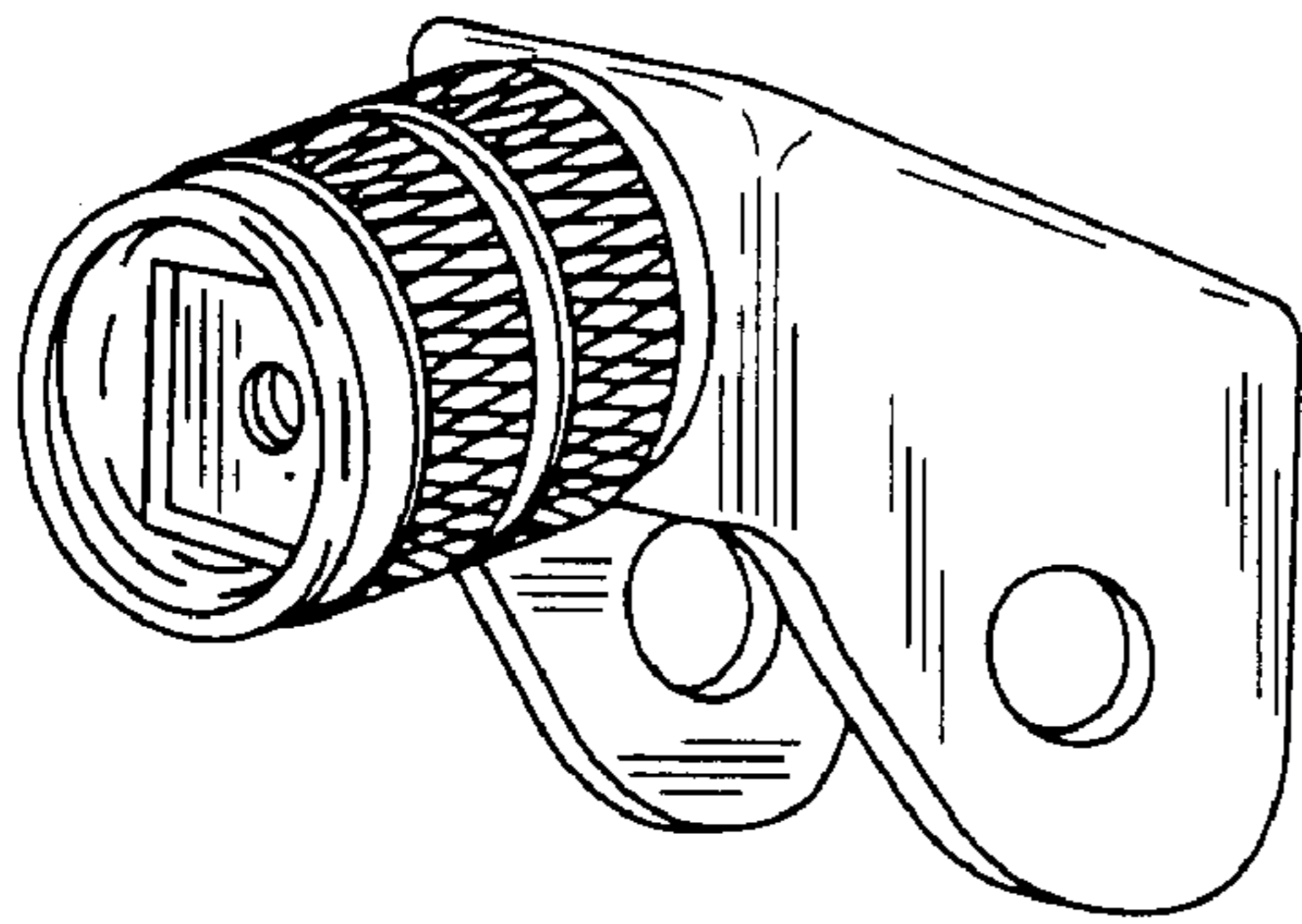


Fig. 1

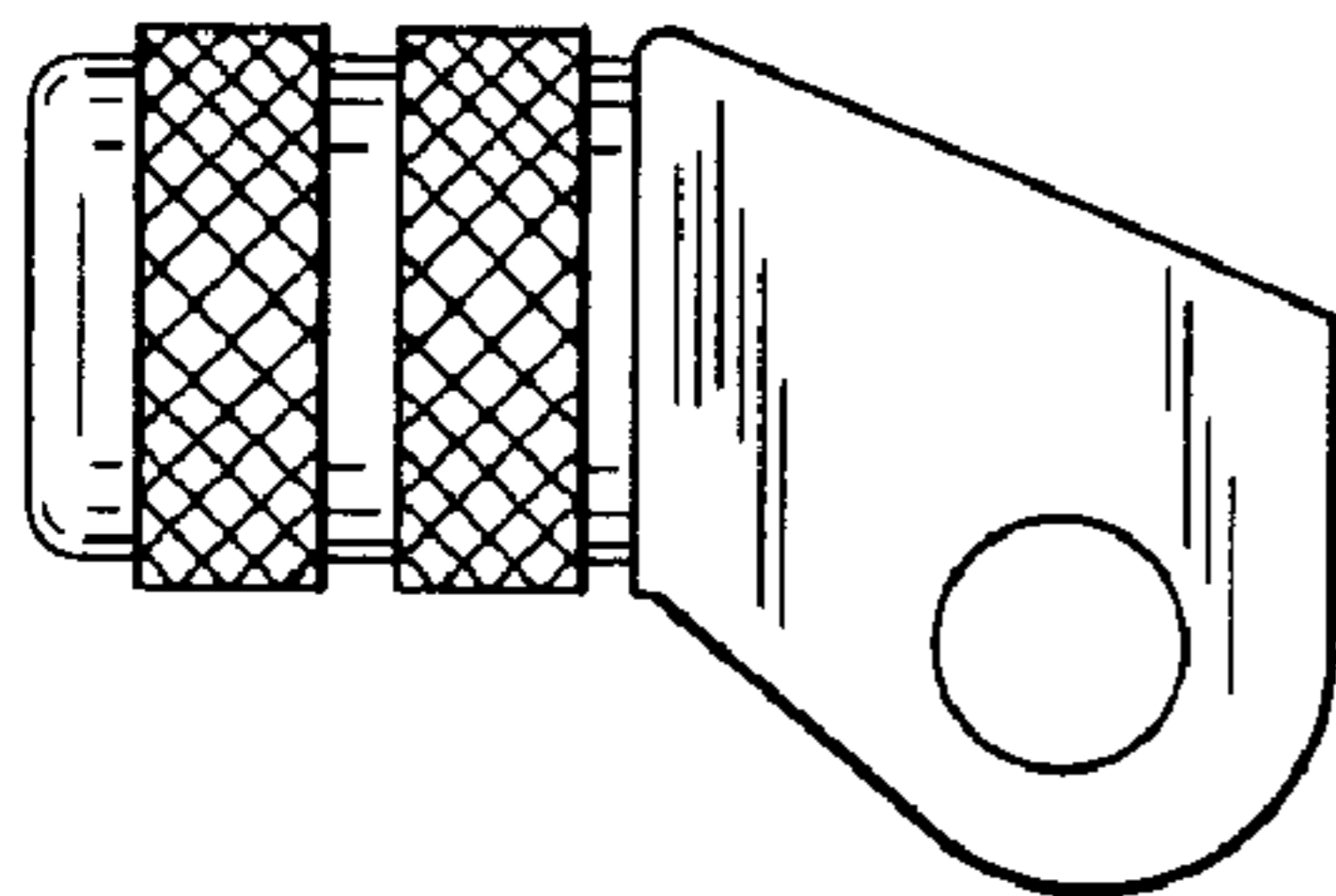


Fig. 2

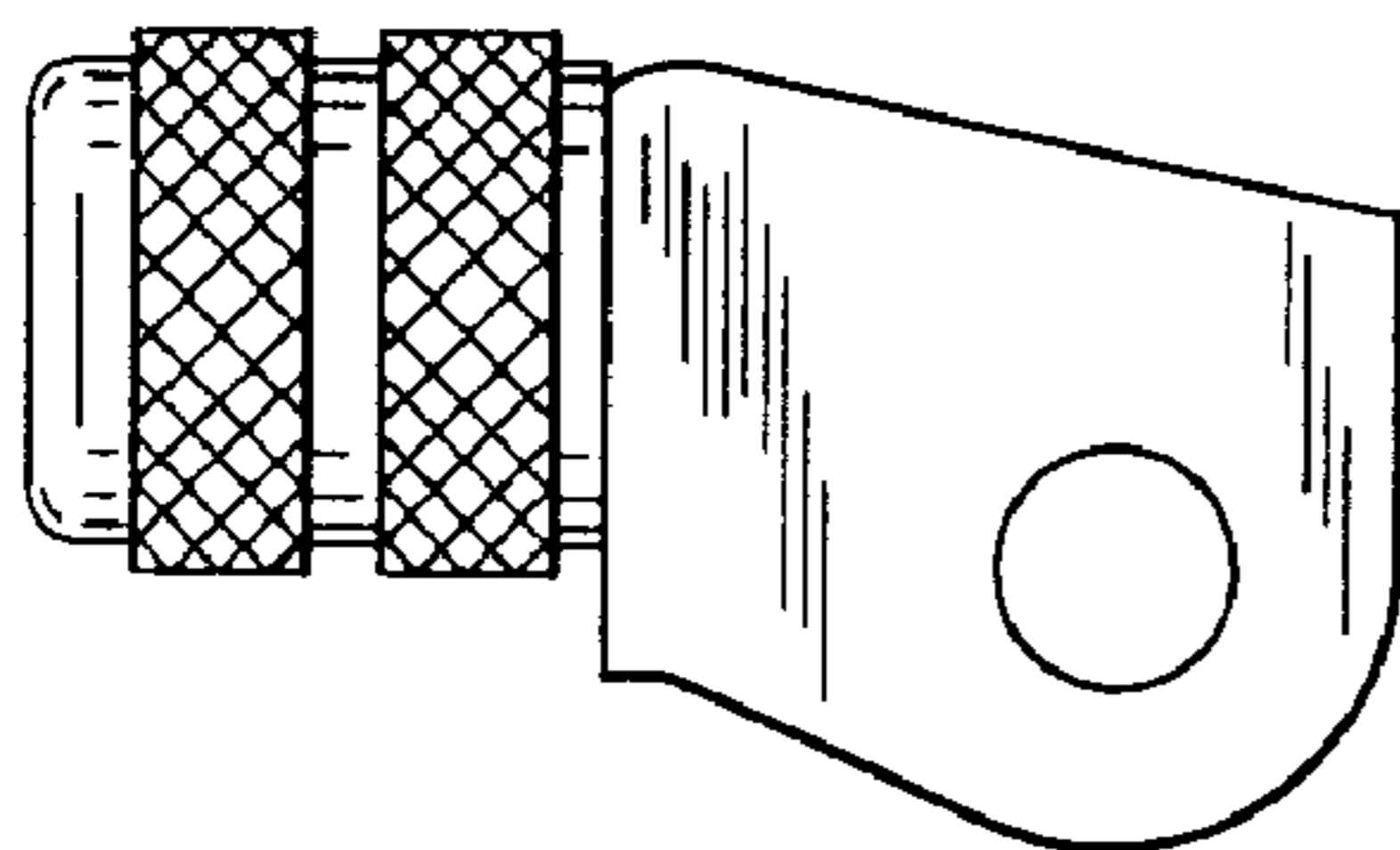


Fig. 4

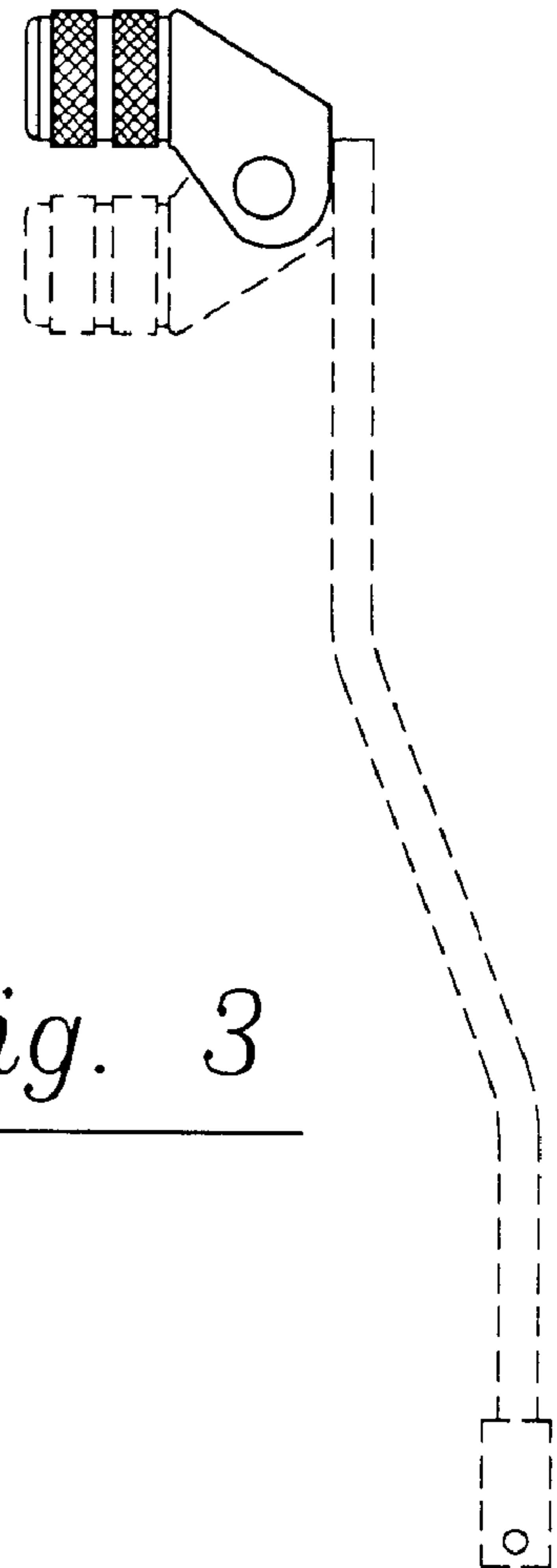


Fig. 3

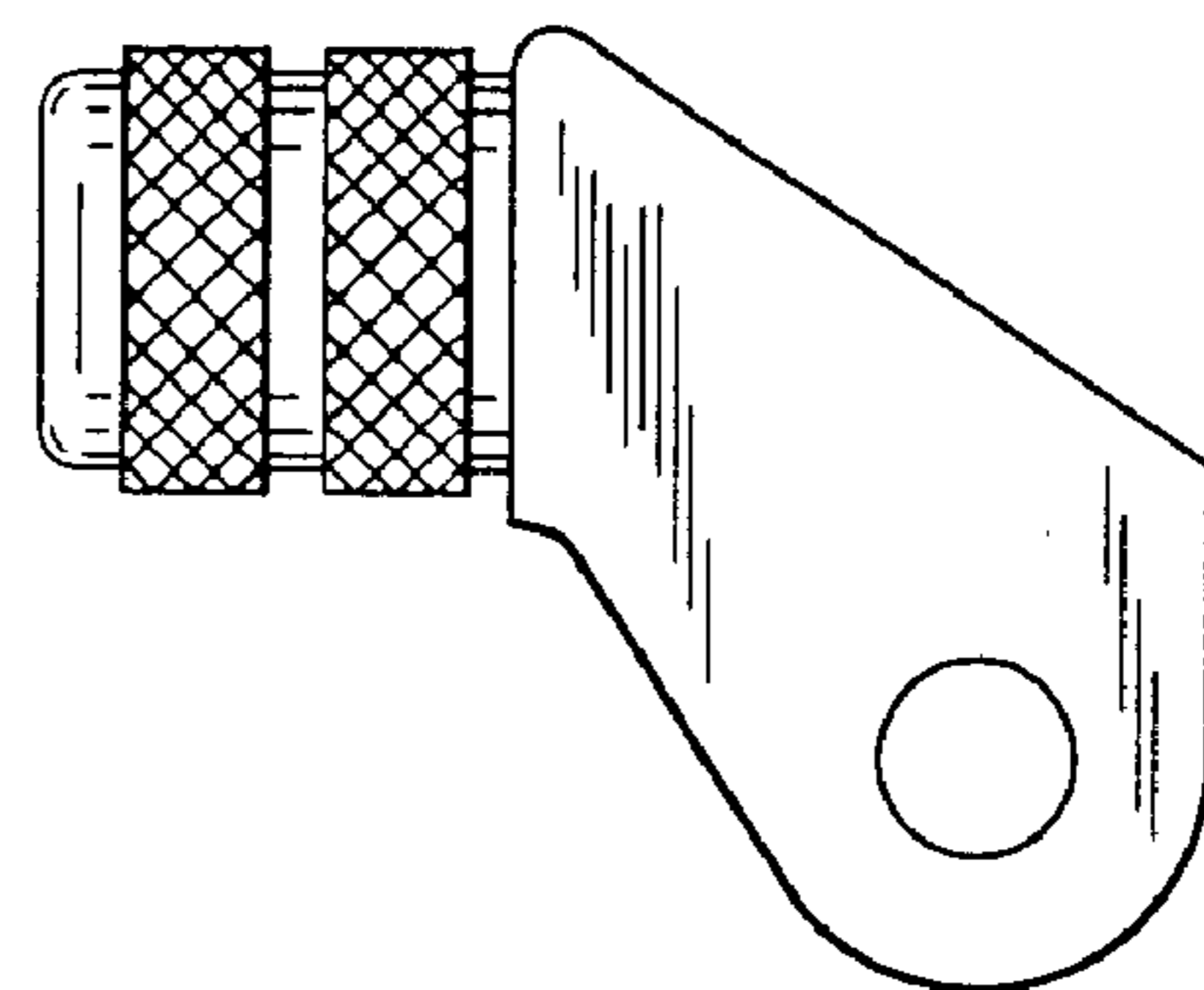


Fig. 5

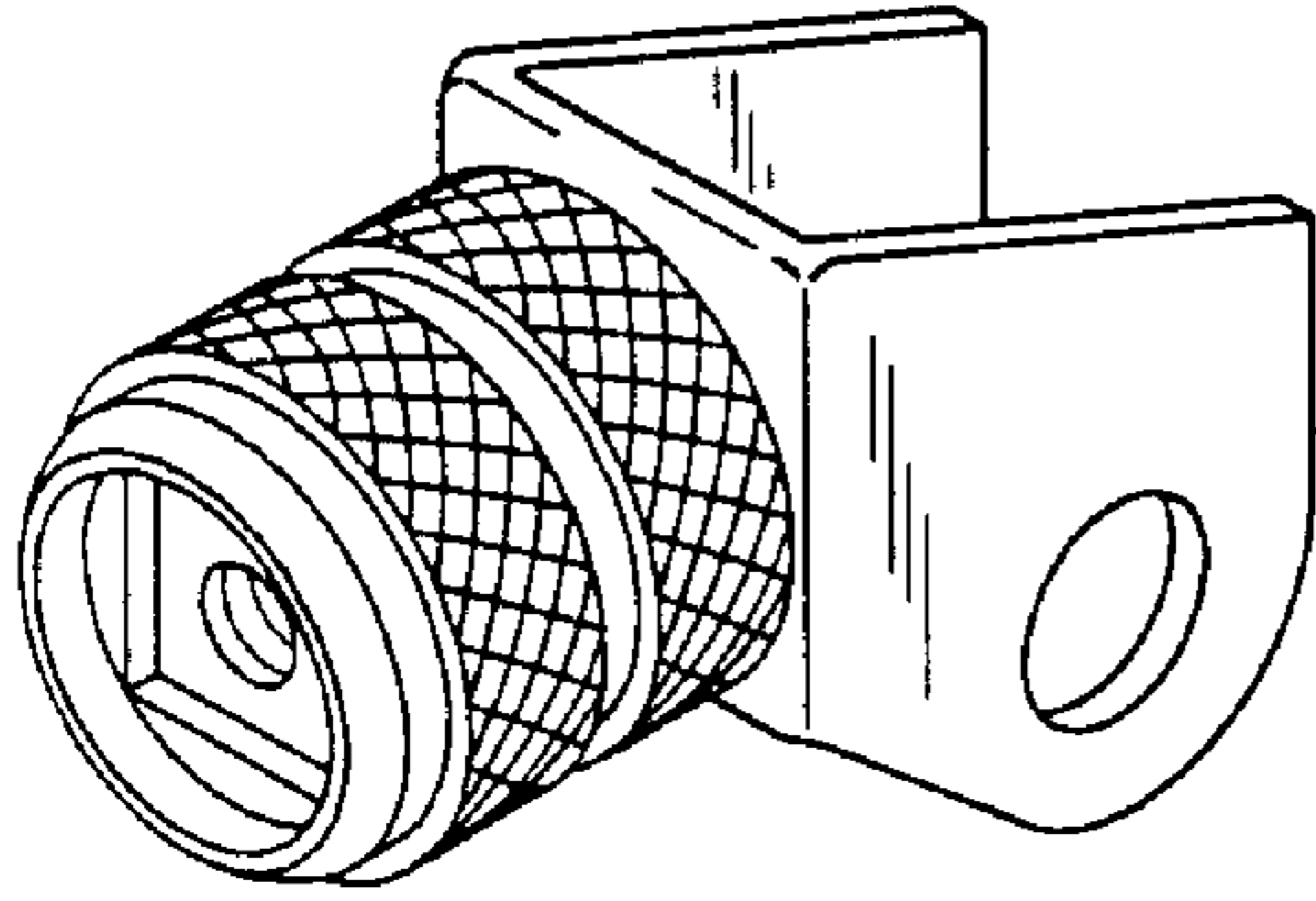


Fig. 6

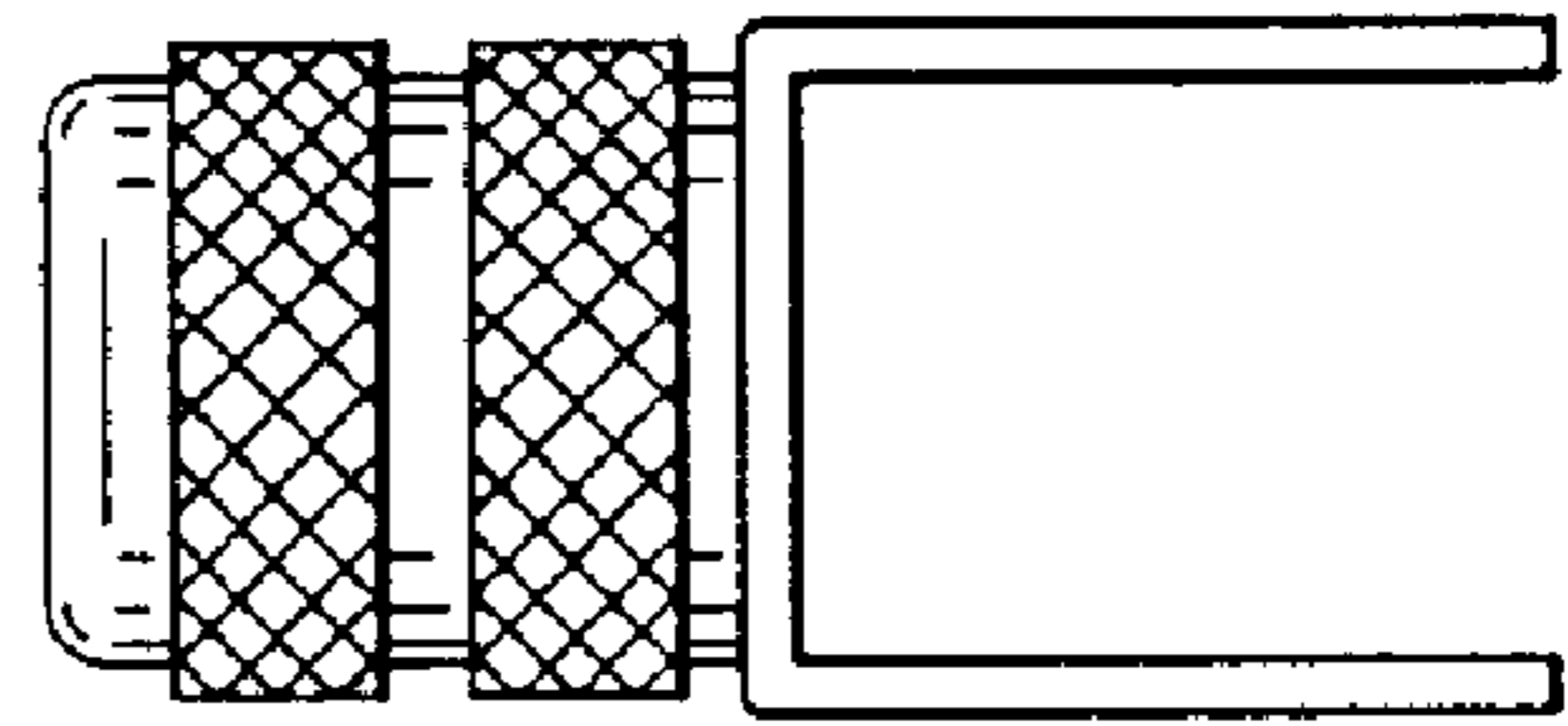


Fig. 7

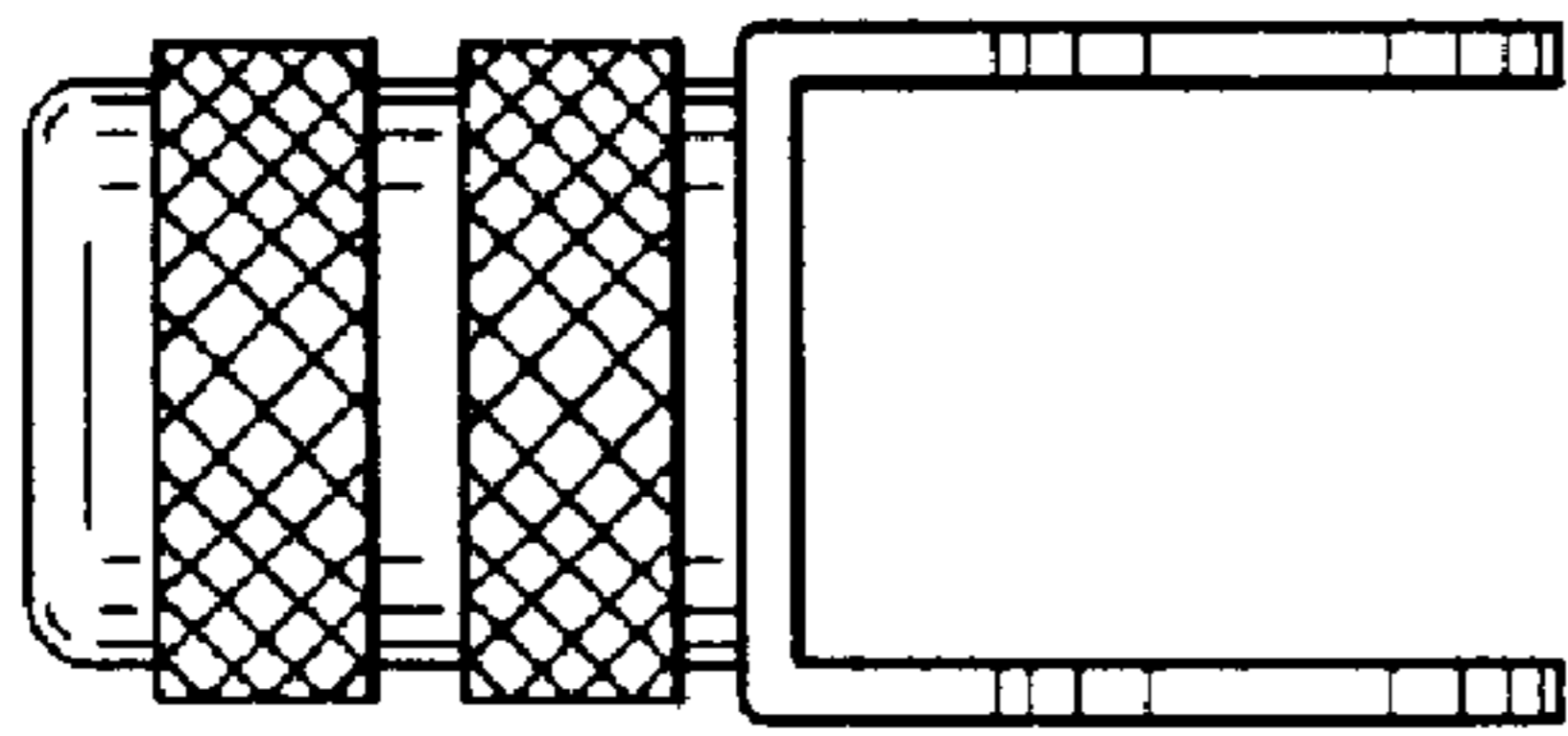


Fig. 8

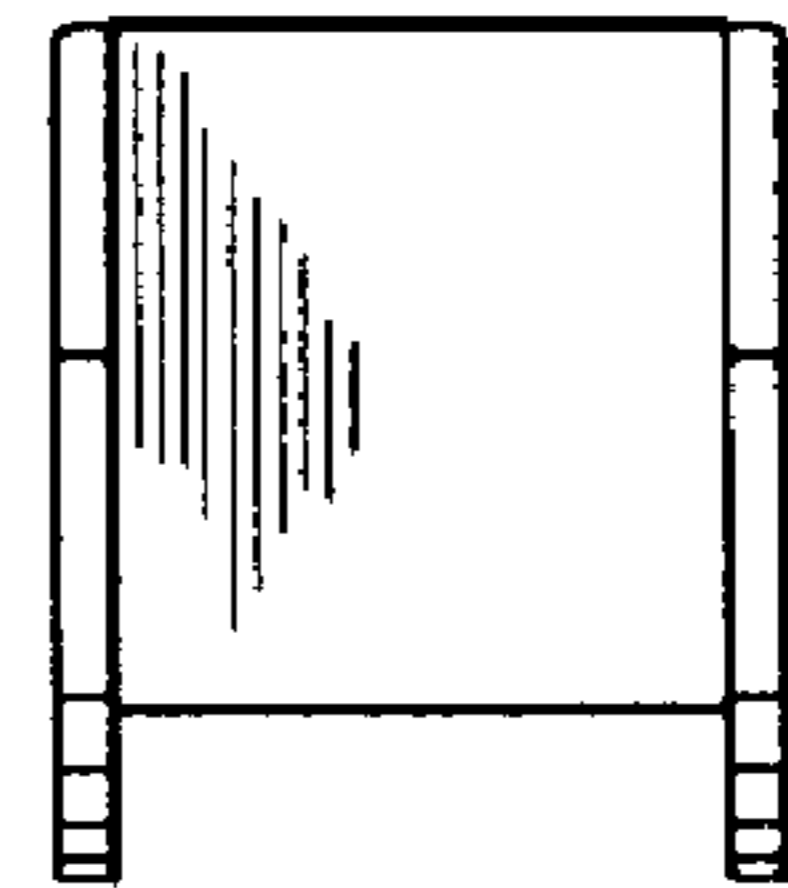


Fig. 9