



US00D516961S

(12) **United States Design Patent**
Itaya et al.

(10) **Patent No.:** **US D516,961 S**
(45) **Date of Patent:** **** Mar. 14, 2006**

(54) **FOUR WHEELED VEHICLE**

FOREIGN PATENT DOCUMENTS

(75) Inventors: **Asao Itaya**, Gardena, CA (US);
Damien B. Basset, Los Angeles, CA
(US); **Hideaki Yamazumi**, Rolling Hills
Estate, CA (US); **Udo Karl Heinz**
Kolter, Redondo Beach, CA (US);
Munehiro Sugimoto, Torrance, CA
(US); **Anthony Peter Mascadri**,
Mechanicsburg, OH (US)

JP 1179663 5/2003

* cited by examiner

Primary Examiner—Alan P. Douglas
Assistant Examiner—Linda Brooks
(74) *Attorney, Agent, or Firm*—Dinsmore & Shohl LLP

(73) Assignee: **Honda Motor Company, Ltd.**, Tokyo
(JP)

(57) **CLAIM**

The ornamental design for a four wheeled vehicle, as shown
and described.

(**) Term: **14 Years**

DESCRIPTION

(21) Appl. No.: **29/232,567**

FIG. 1 is a left front perspective view of the four wheeled
vehicle;

(22) Filed: **Jun. 21, 2005**

FIG. 2 is a left rear perspective view of the four wheeled
vehicle of FIG. 1;

Related U.S. Application Data

(62) Division of application No. 29/209,109, filed on Jul. 9, 2004.

(51) **LOC (8) Cl.** **12-11**

(52) **U.S. Cl.** **D12/107**

(58) **Field of Classification Search** D12/3,
D12/86, 87, 107, 110; 180/225, 229, 233,
180/311, 312, 315

FIG. 3 is a left side perspective view of the four wheeled
vehicle of FIG. 1;

FIG. 4 is a right side perspective view of the four wheeled
vehicle of FIG. 1;

FIG. 5 is a front perspective view of the four wheeled
vehicle of FIG. 1;

FIG. 6 is a rear perspective view of the four wheeled vehicle
of FIG. 1; and,

FIG. 7 is a top perspective view of the four wheeled vehicle
of FIG. 1.

See application file for complete search history.

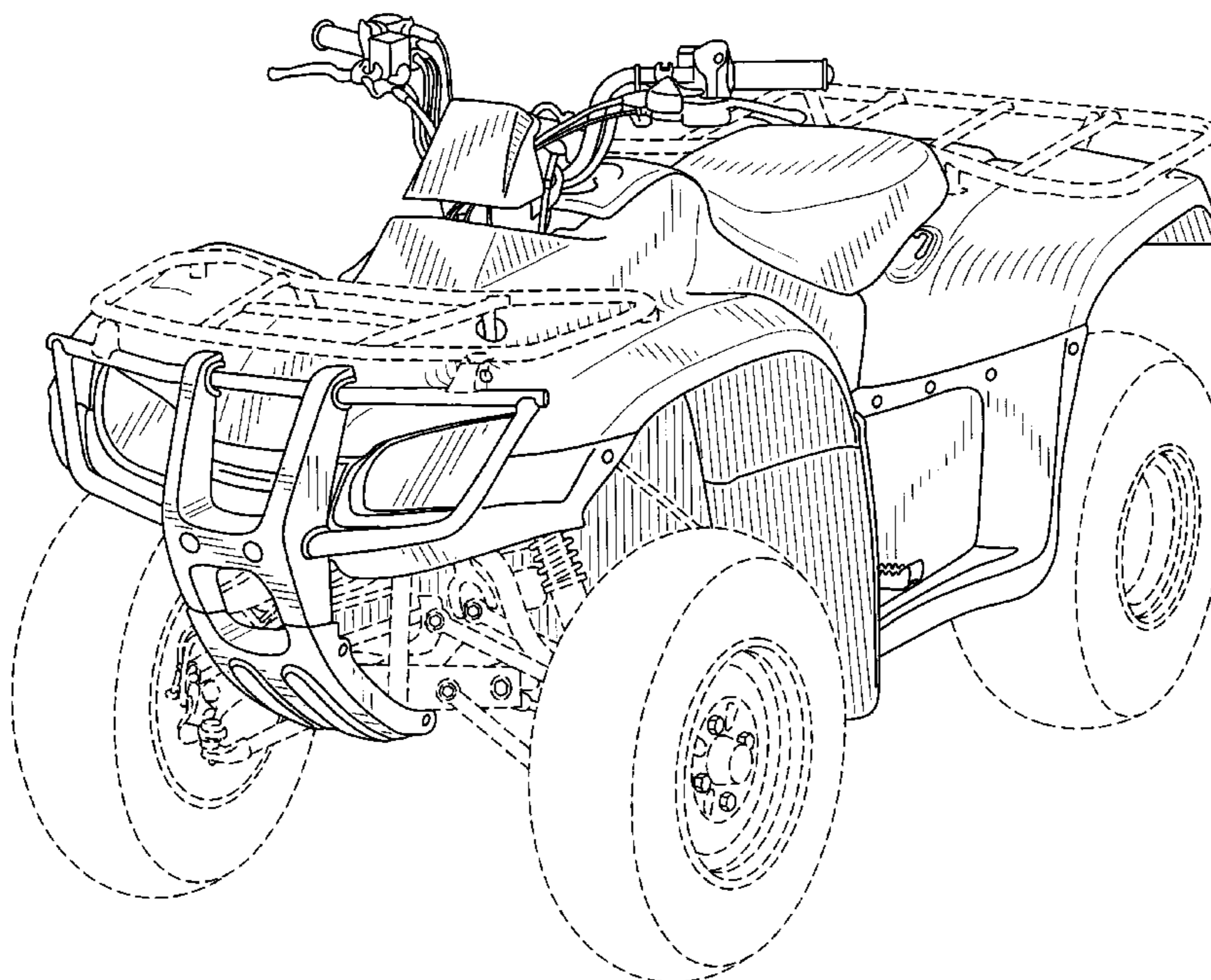
The phantom lines and areas shown in the figures are for
illustrative purposes only and form no part of the claimed
design.

(56) **References Cited**

U.S. PATENT DOCUMENTS

D427,110 S * 6/2000 Saito et al. D12/107
D428,363 S * 7/2000 Sugimoto et al. D12/107

1 Claim, 7 Drawing Sheets



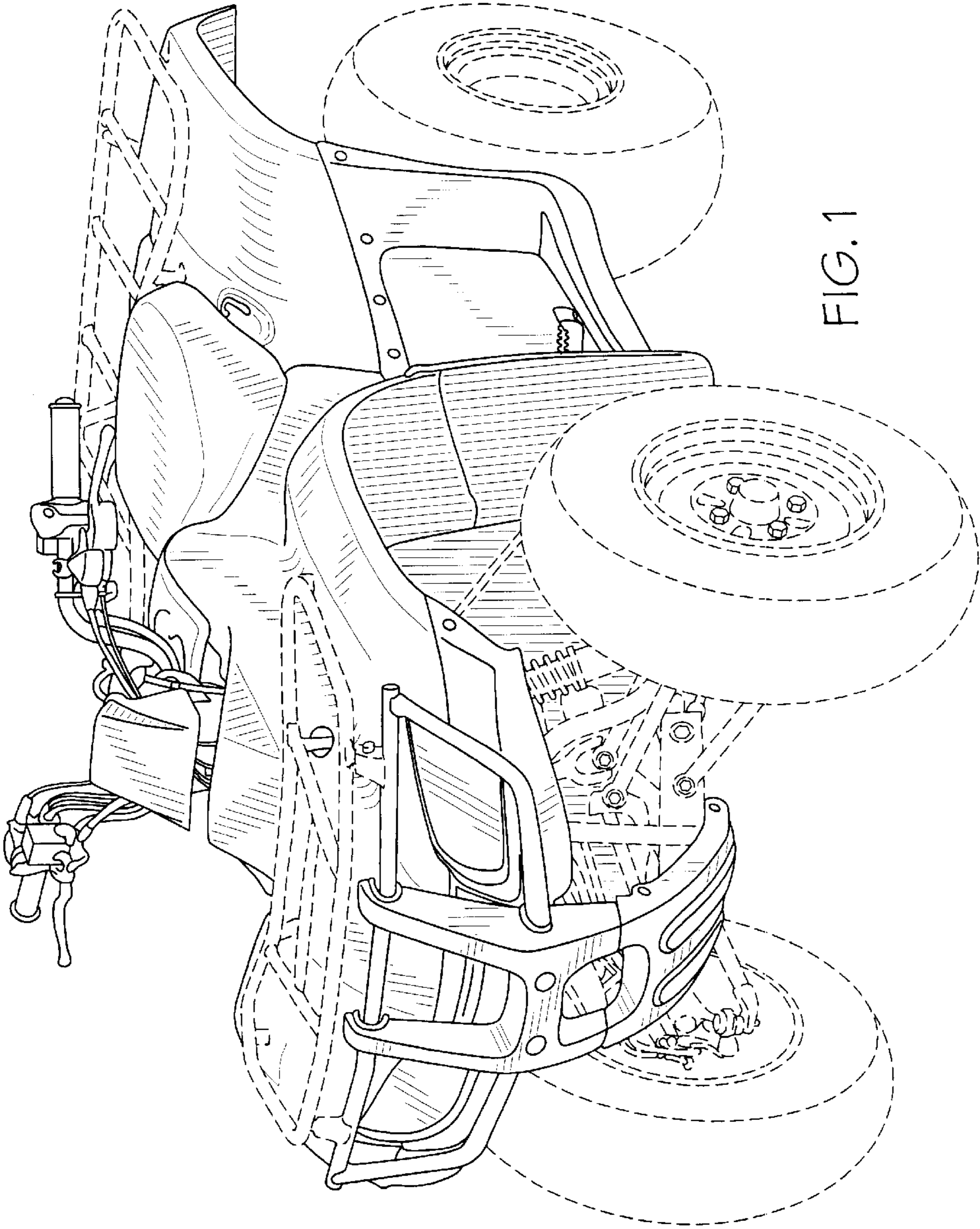


FIG. 1

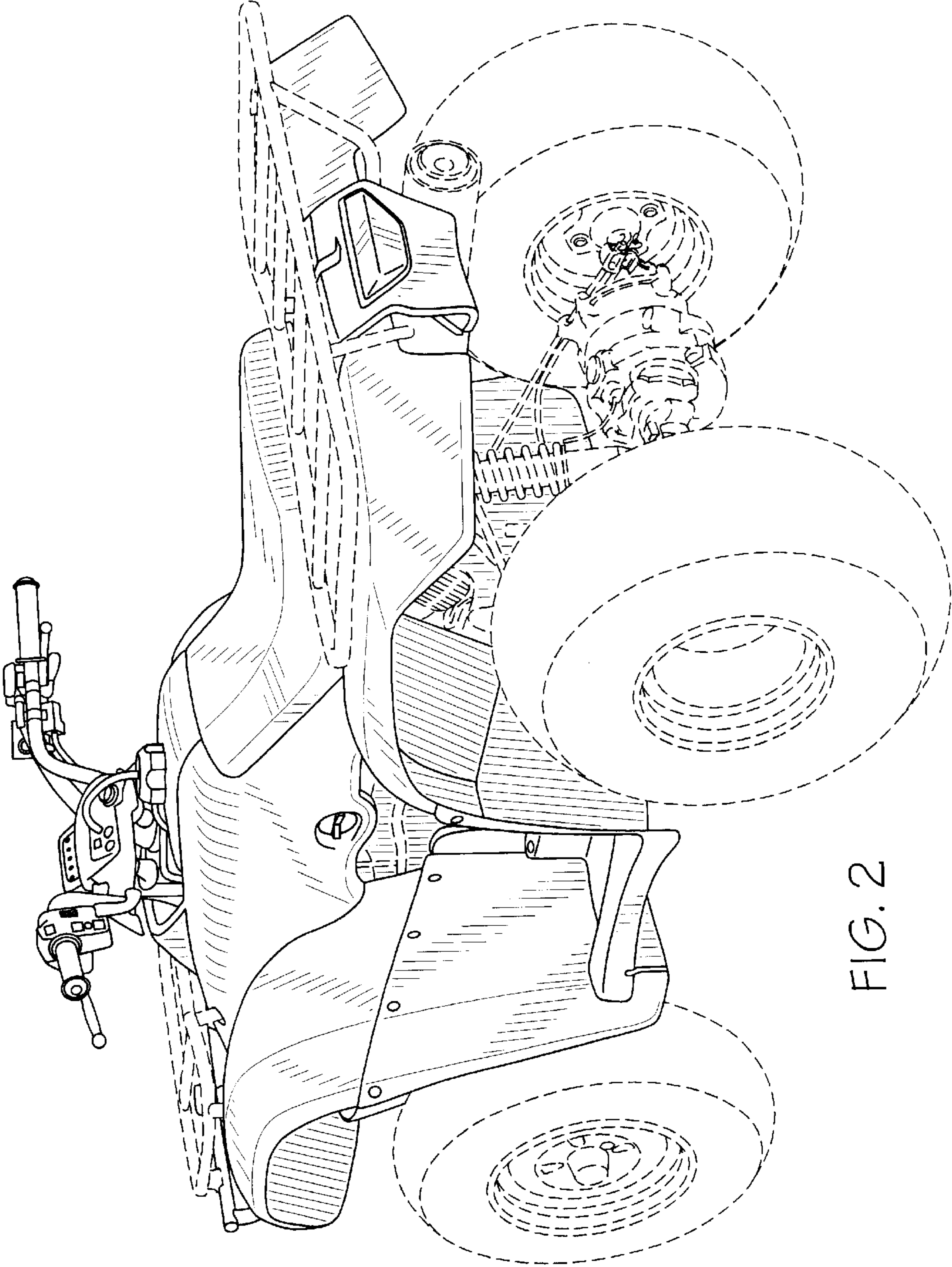


FIG. 2

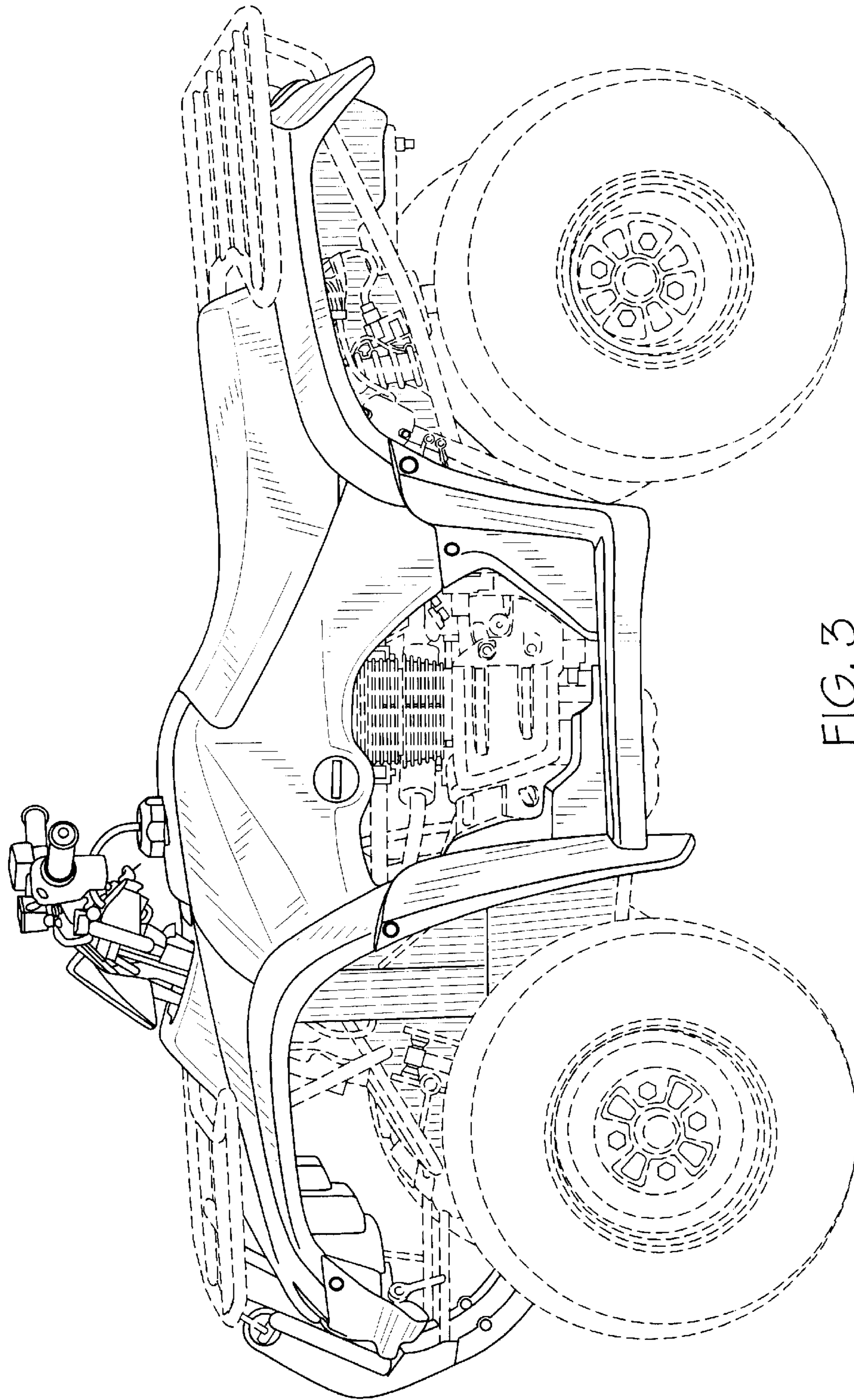


FIG. 3

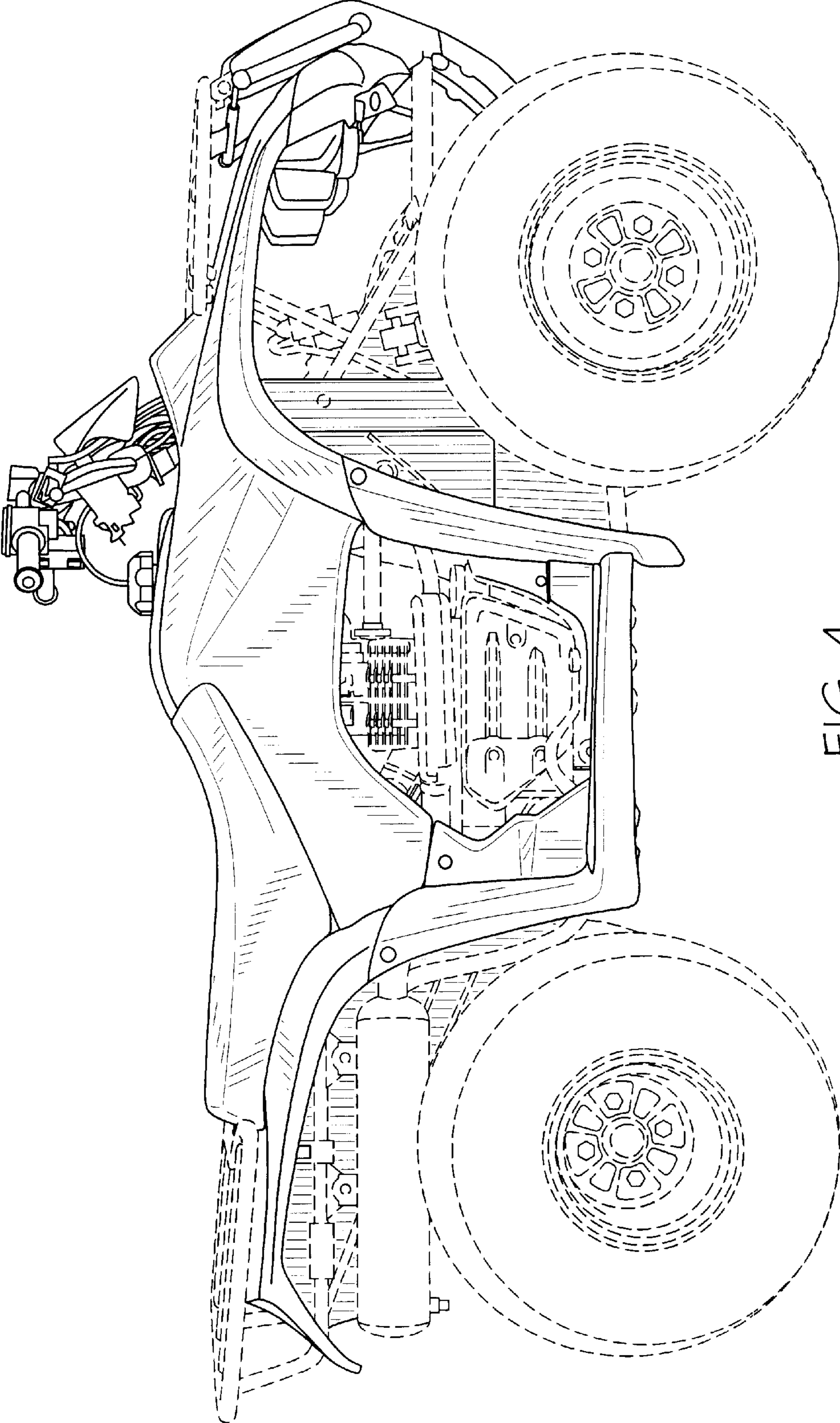


FIG. 4

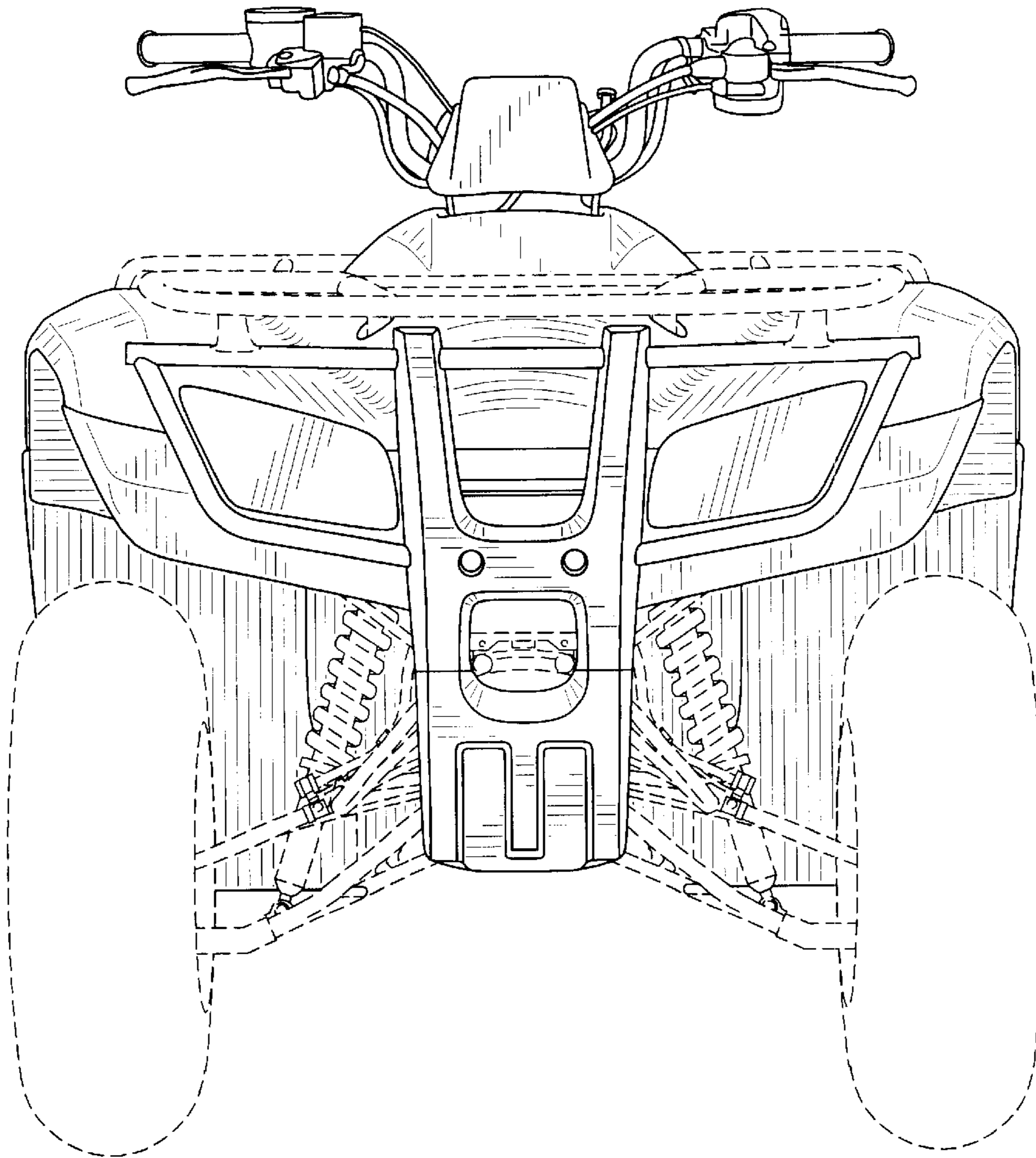


FIG. 5

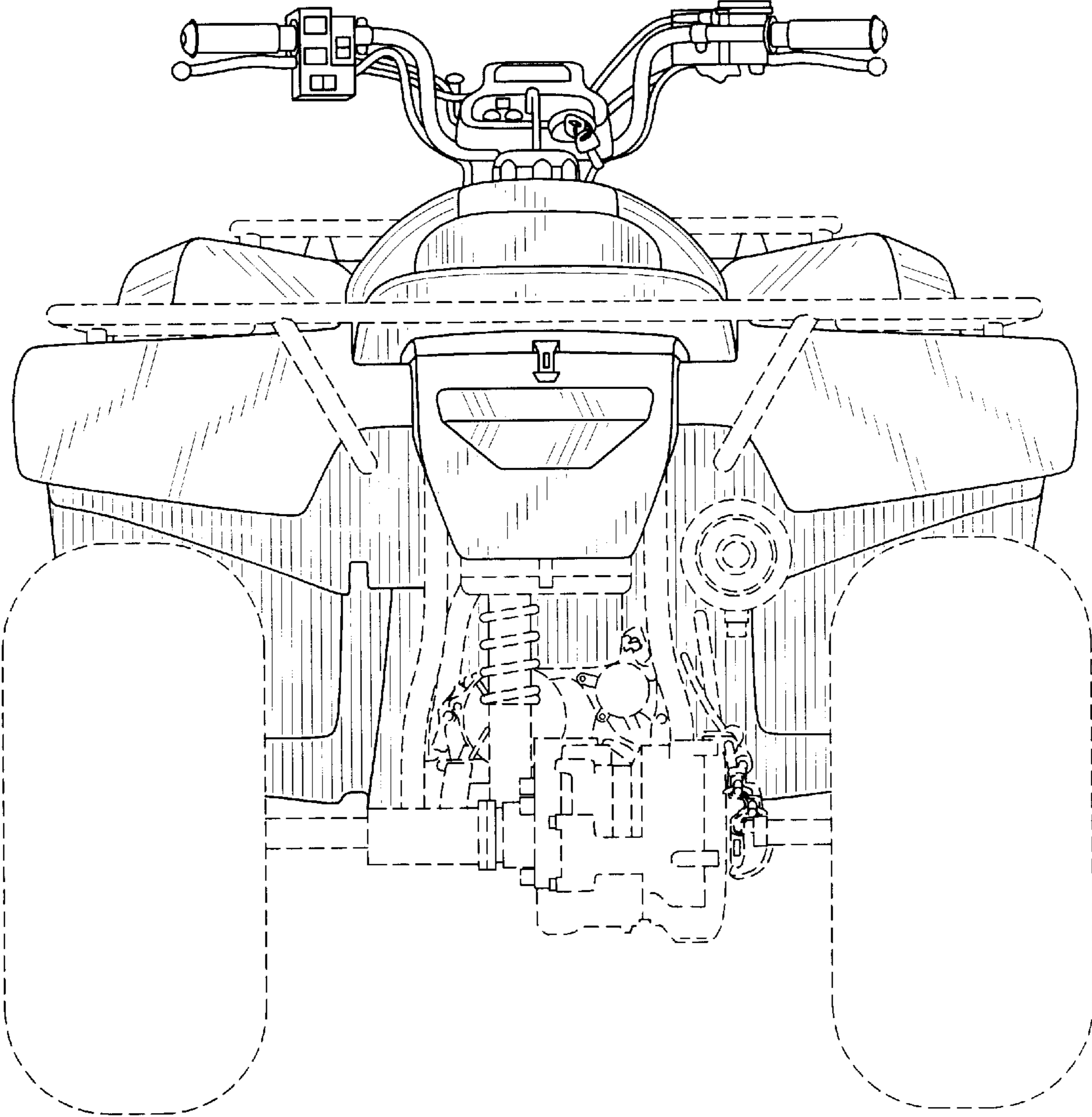


FIG. 6

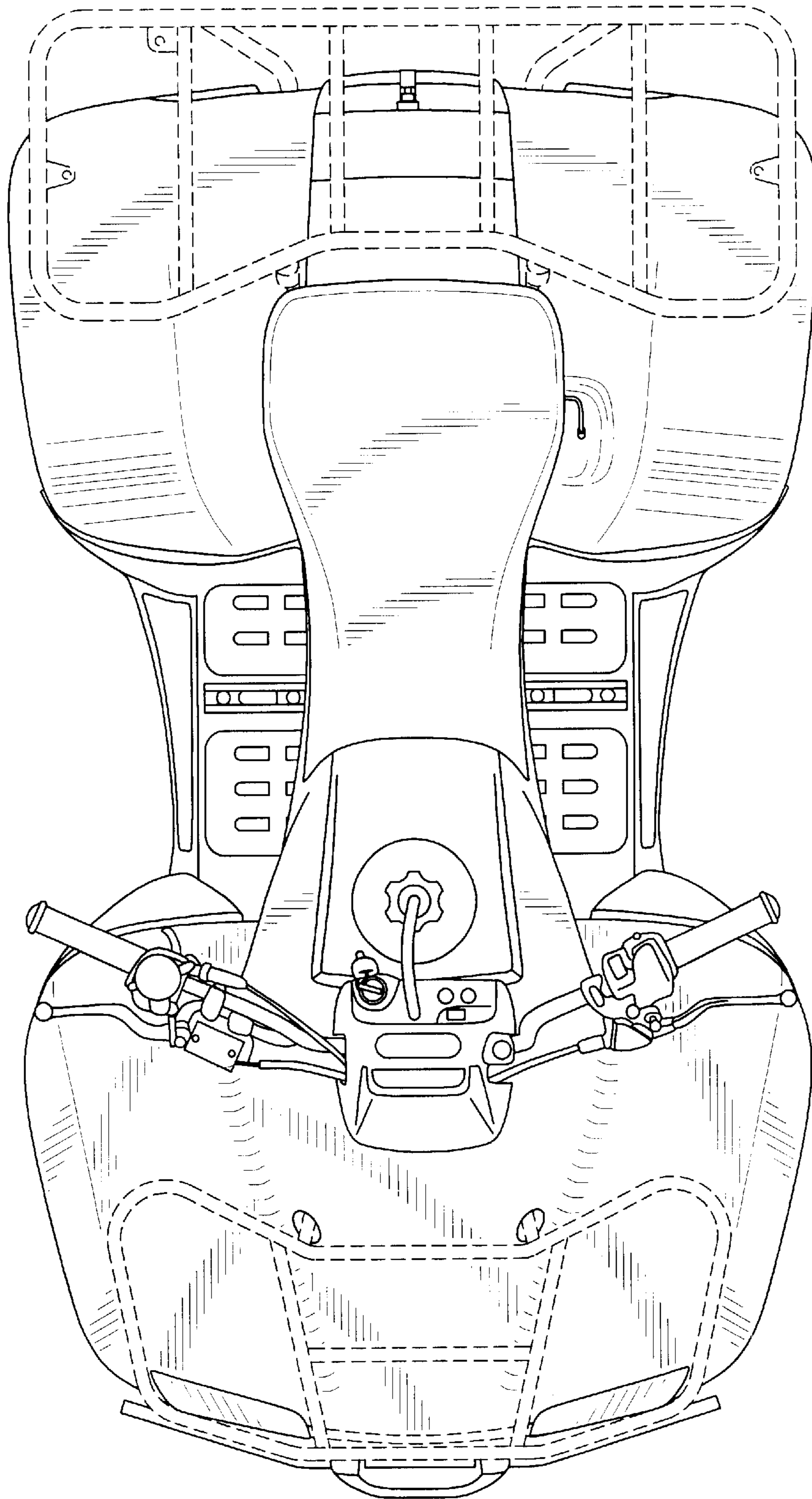


FIG. 7