



US00D516960S

(12) **United States Design Patent**
Luh

(10) **Patent No.:** **US D516,960 S**

(45) **Date of Patent:** **** Mar. 14, 2006**

(54) **BEACH MOTOR VEHICLE**

D500,264 S * 12/2004 Luh D12/107
D501,158 S * 1/2005 Luh D12/107

(75) **Inventor:** **Tai Yang Luh**, Taiping (TW)

* cited by examiner

(73) **Assignee:** **Ding Li Metal Industrial Co., Ltd.**,
Taiping (TW)

Primary Examiner—Alan P. Douglas

Assistant Examiner—Linda Brooks

(**) **Term:** **14 Years**

(74) *Attorney, Agent, or Firm*—Charles E. Baxley

(21) **Appl. No.:** **29/218,177**

(57) **CLAIM**

(22) **Filed:** **Nov. 29, 2004**

The ornamental design for a beach motor vehicle, as shown and described.

(51) **LOC (8) Cl.** **12-11**

(52) **U.S. Cl.** **D12/107**

(58) **Field of Classification Search** D12/3,
D12/86, 87, 107, 110; 180/223, 311, 312,
180/315, 225, 229

See application file for complete search history.

DESCRIPTION

FIG. 1 is a front perspective view of a beach motor vehicle showing my new design;

FIG. 2 is a front elevational view thereof;

FIG. 3 is a rear elevational view thereof;

FIG. 4 is a top plan view thereof;

FIG. 5 is a bottom plan view thereof;

FIG. 6 is a left side elevational view thereof; and,

FIG. 7 is a right side elevational view thereof.

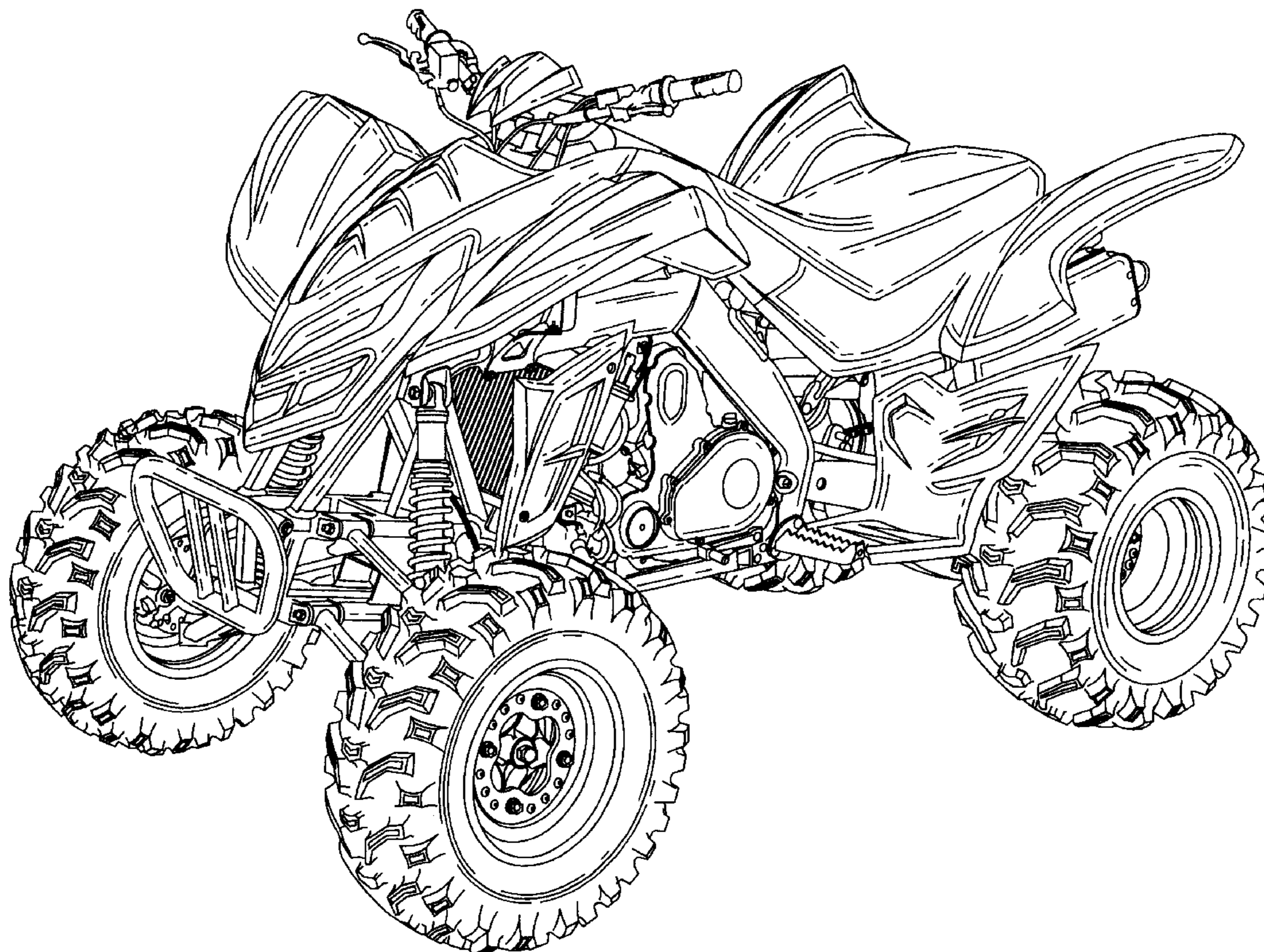
(56) **References Cited**

U.S. PATENT DOCUMENTS

D305,999 S * 2/1990 Ueda et al. D12/107

D491,491 S * 6/2004 Luh D12/107

1 Claim, 7 Drawing Sheets



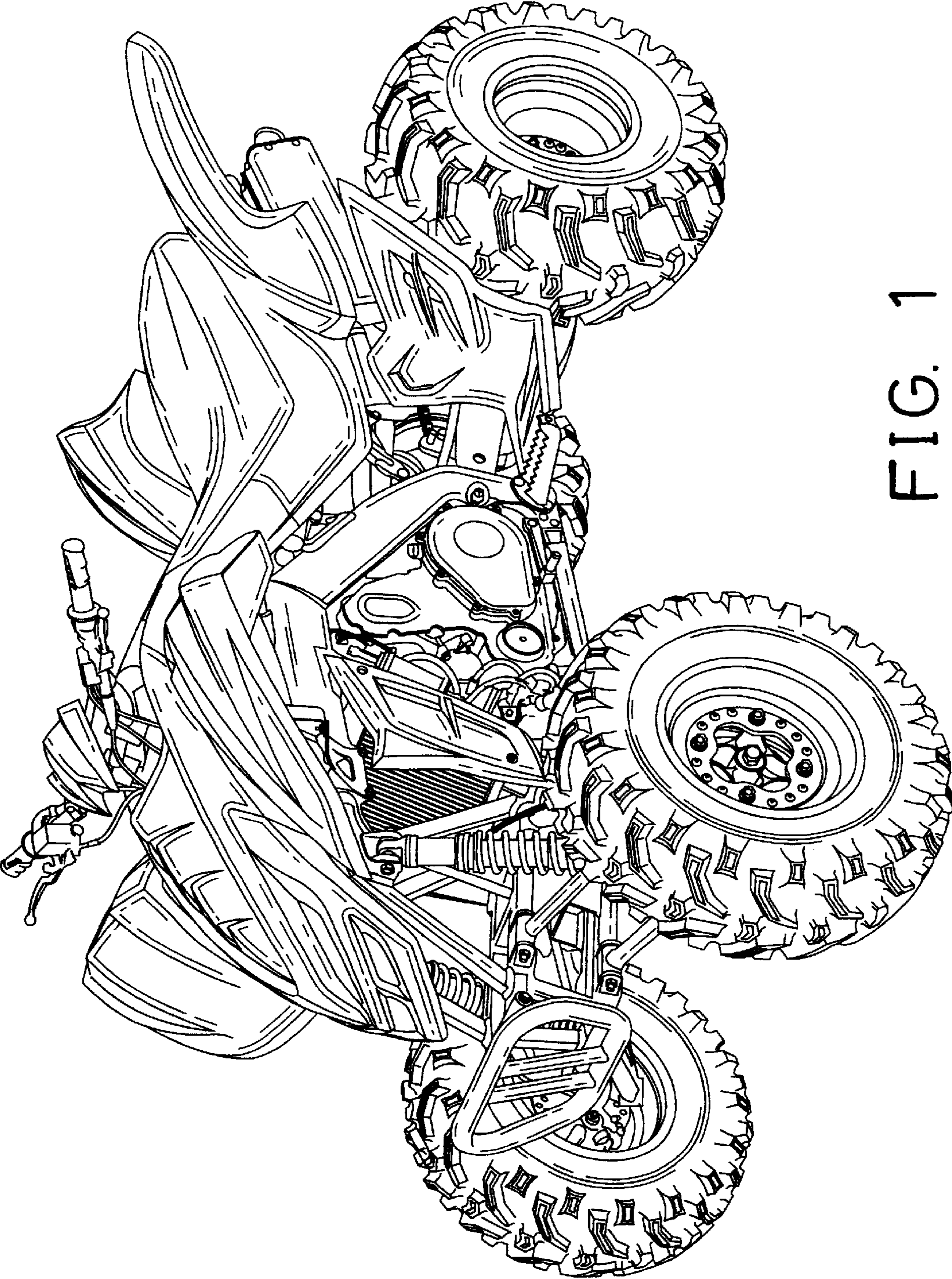


FIG. 1

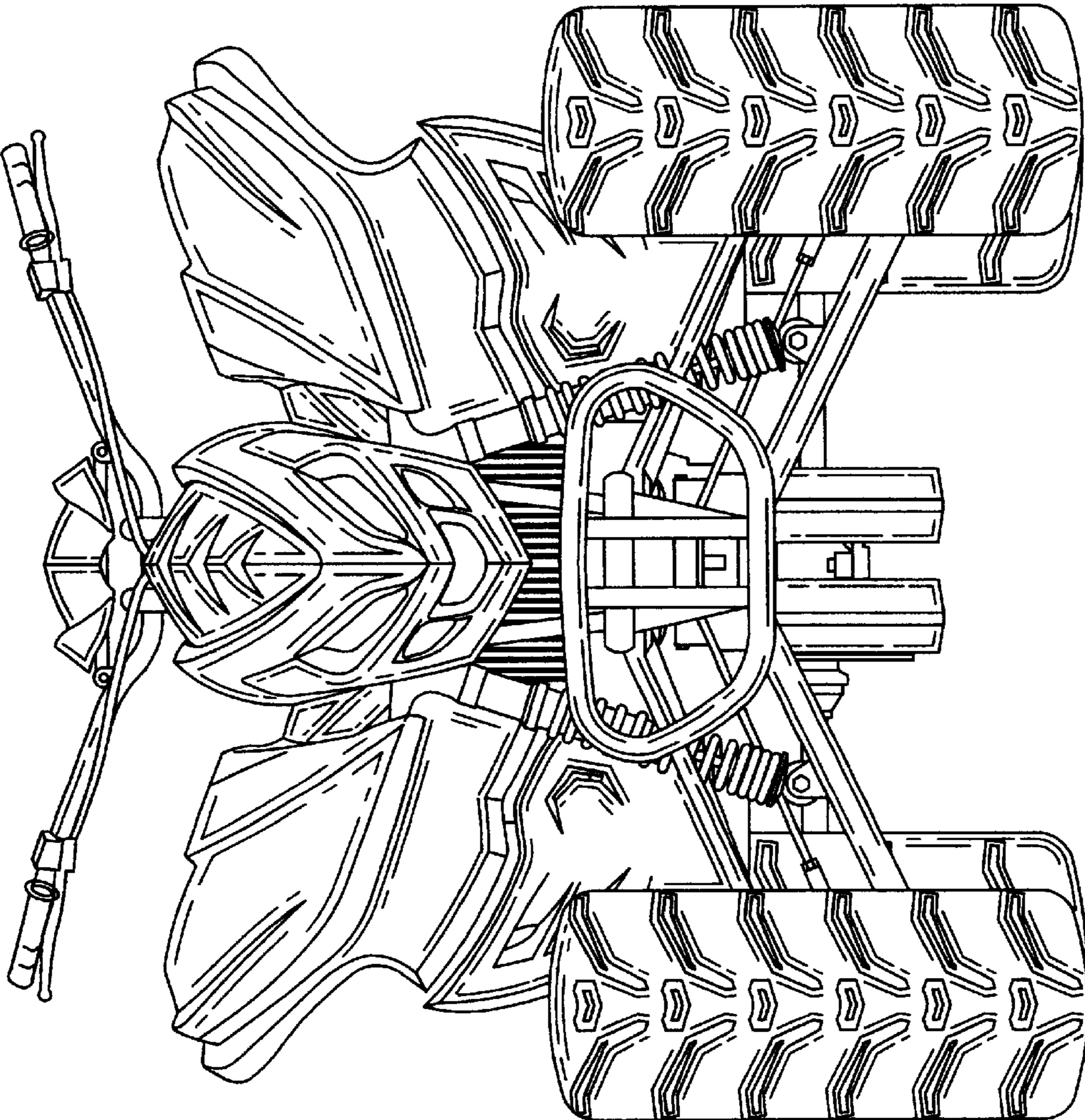


FIG. 2

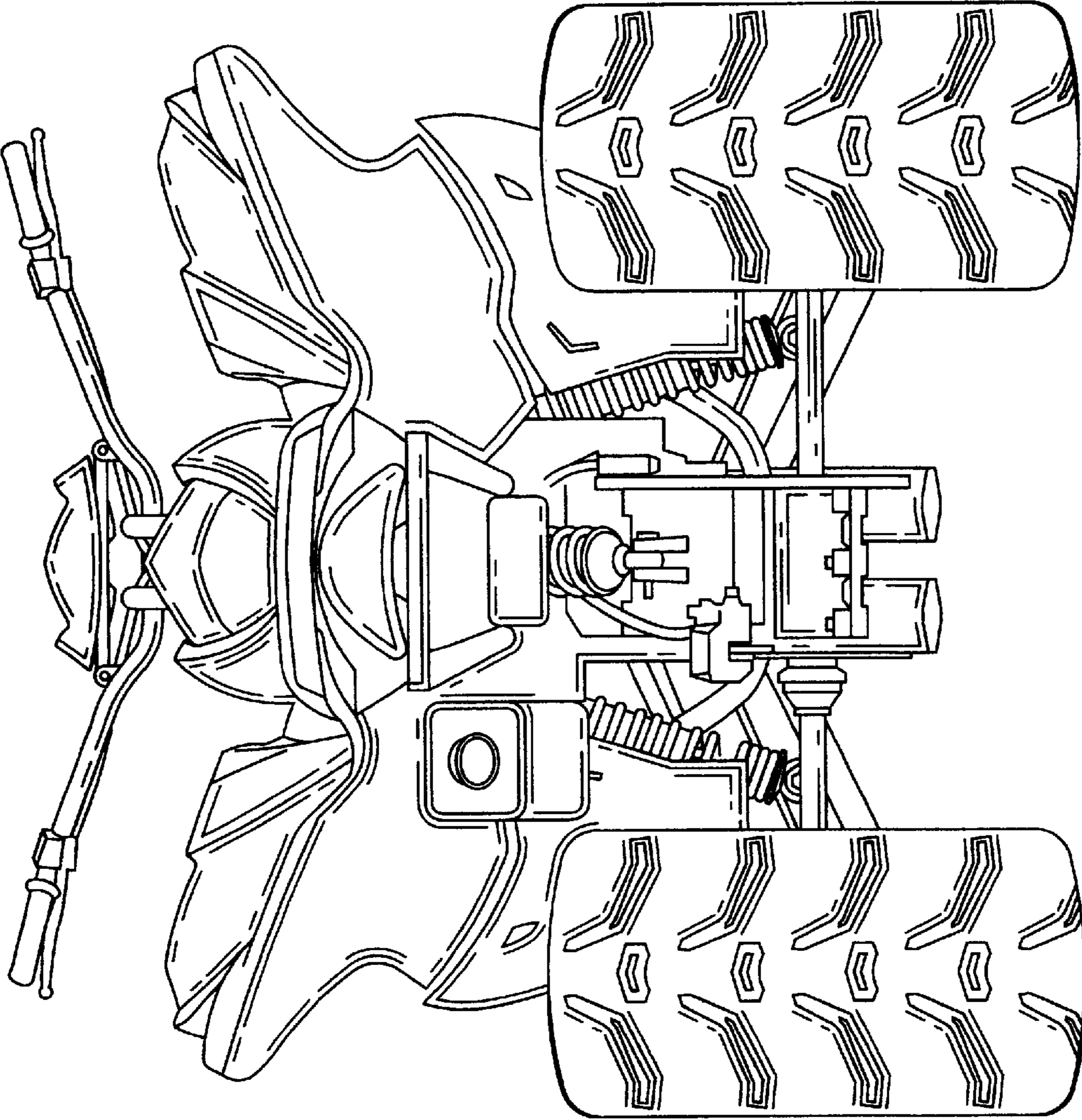


FIG. 3

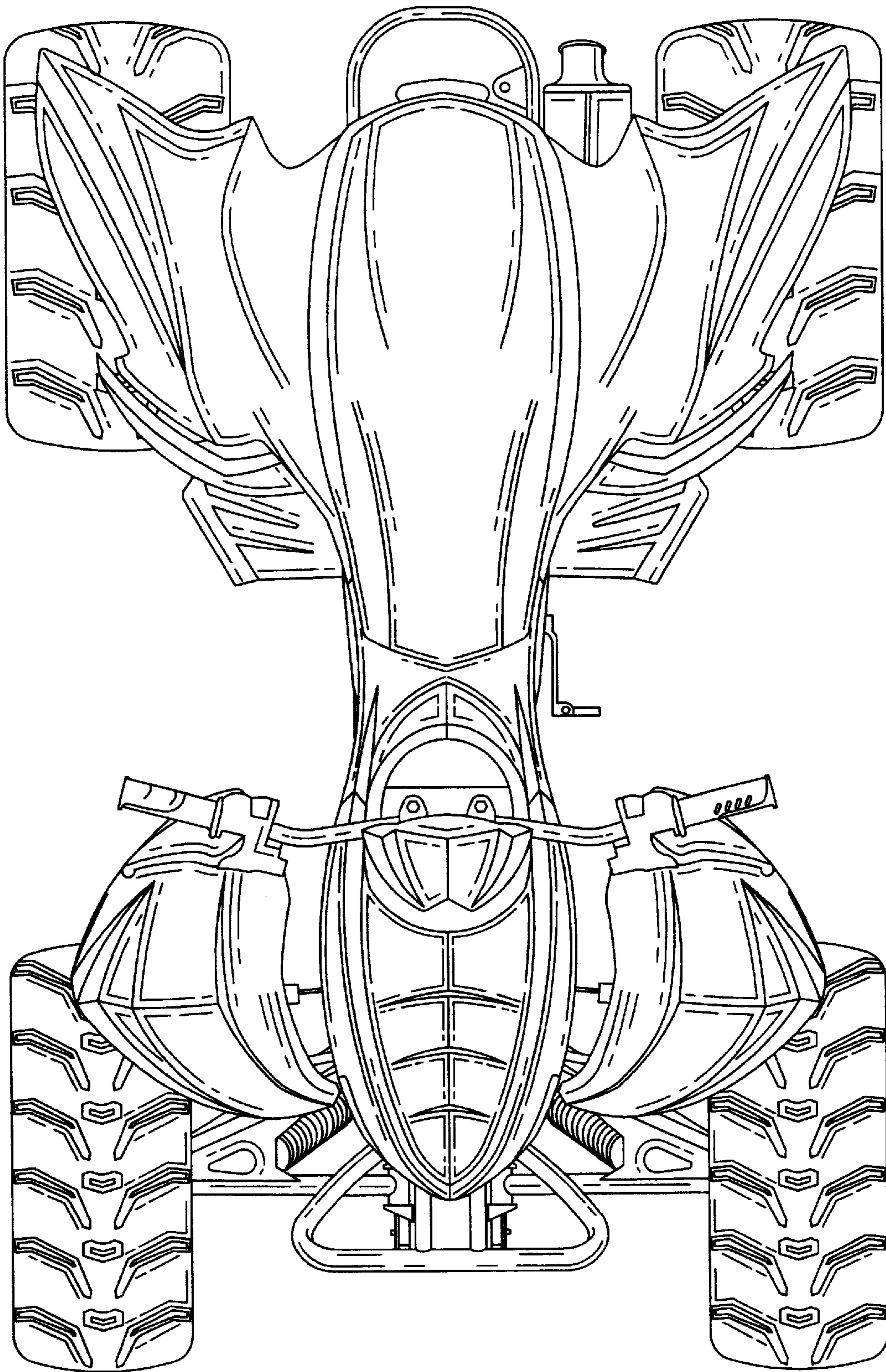


FIG. 4

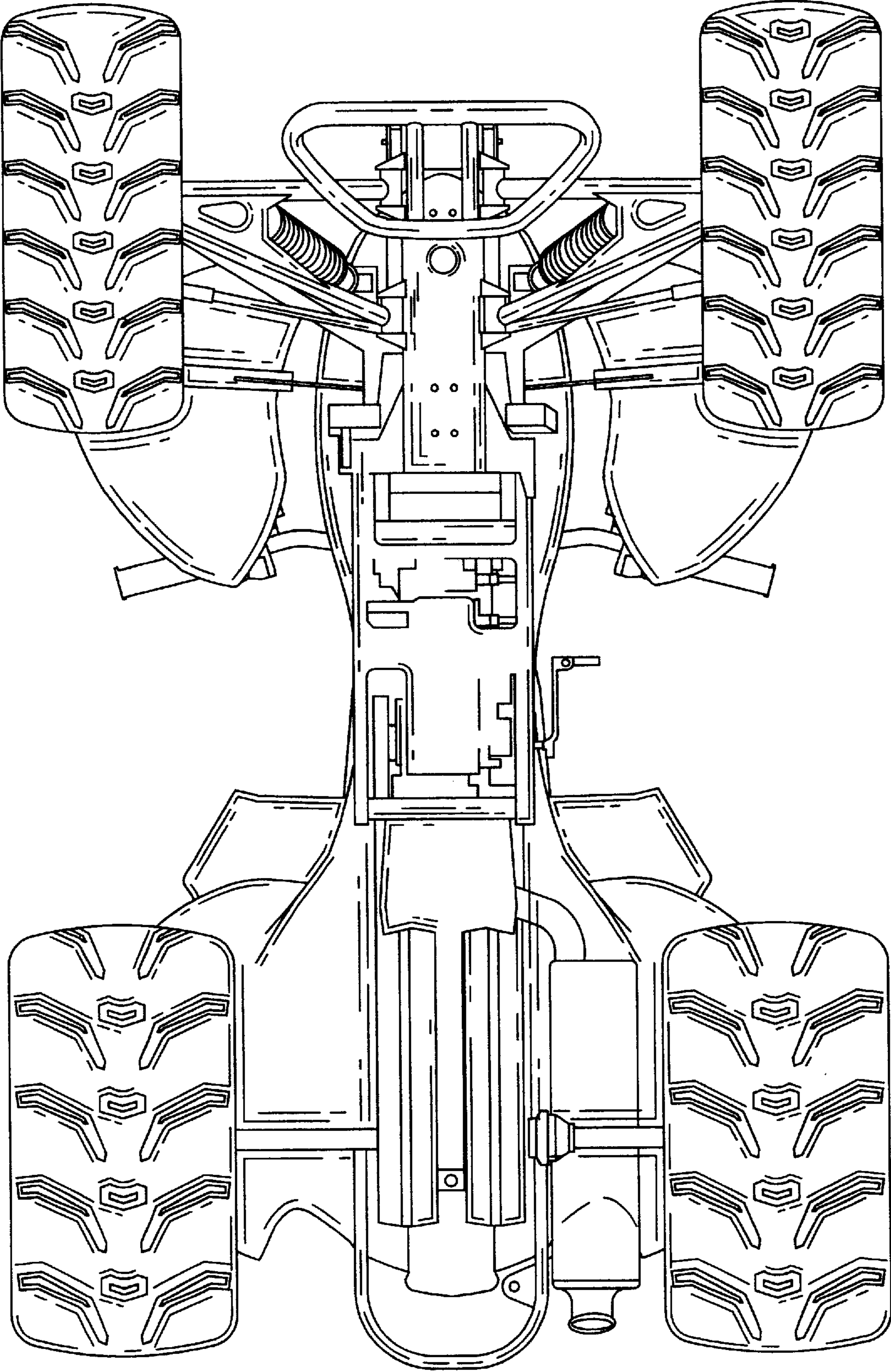


FIG. 5

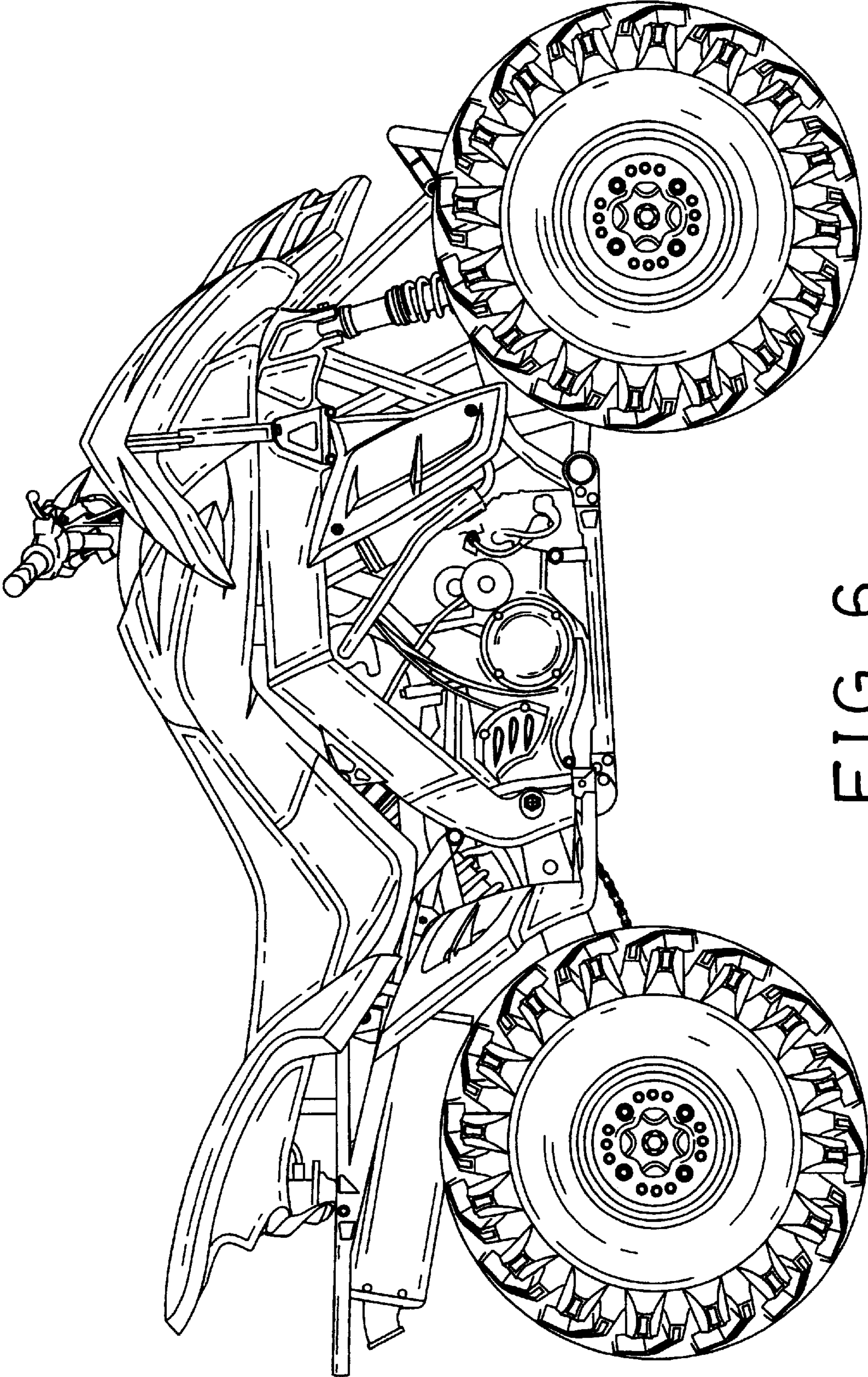


FIG. 6

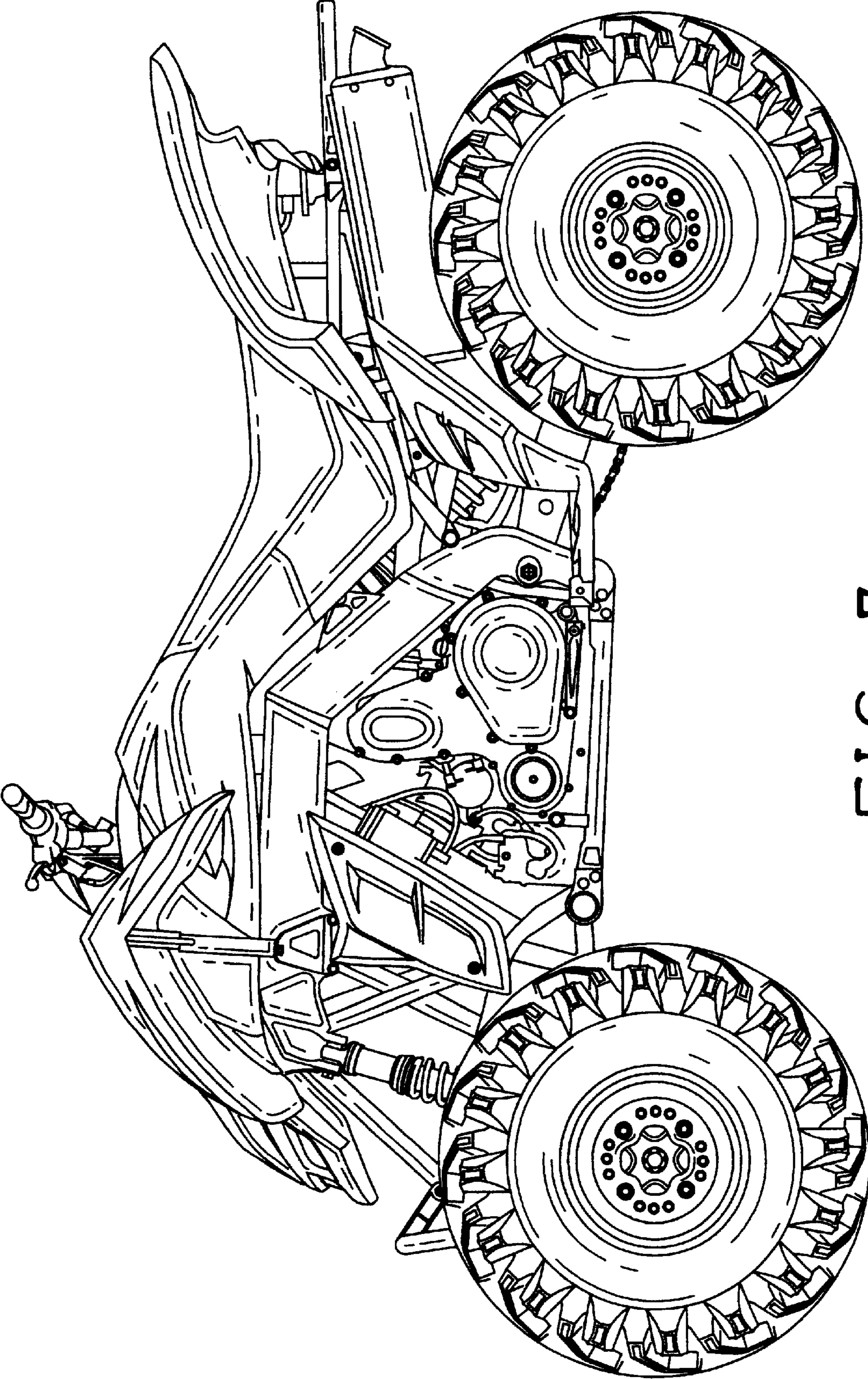


FIG. 7