



US00D516949S

(12) **United States Design Patent**  
**Thorsteinsson**

(10) **Patent No.:** **US D516,949 S**  
(45) **Date of Patent:** **\*\* Mar. 14, 2006**

- (54) **DECORATIVE ARTICLE**
- (75) **Inventor:** **Sigurdur Thorsteinsson, Milan (IT)**
- (73) **Assignee:** **3M Innovative Properties Company, St. Paul, MN (US)**
- (\*\*) **Term:** **14 Years**
- (21) **Appl. No.:** **29/219,428**
- (22) **Filed:** **Dec. 16, 2004**
- (51) **LOC (8) Cl.** ..... **11-02**
- (52) **U.S. Cl.** ..... **D11/158; D11/160; D19/42; D9/620; D21/576; D21/623; D21/630**
- (58) **Field of Classification Search** ..... **D21/576-661, D21/386, 388, 493; D1/102, 104, 107, 108, D1/109, 199; D3/271.3, 271.4; D4/101, 102, D4/125, 126; D7/506, 515, 517, 301, 302, D7/593, 594, 595, 599, 619.2, 625, 628, 636, D7/639; D9/601-632, 715, 719, 727, 729, D9/739, 501, 517, 548, 434, 441, 451, 455; D11/125, 127, 128, 130, 131, 157, 158, 160, D11/164; D19/36, 42, 54, 57, 66, 71, 75, D19/77, 82, 85, 94-97; D24/198, 199; D26/4, D26/7, 9, 10, 17, 18, 23, 38, 47, 57, 98, 99, D26/125, 126, 142, 147, 156; D27/149; D28/7, D28/18, 73, 76, 77, 84, 87; D99/38, 39; 446/69, 446/72-75, 97, 99, 100, 268, 320, 321, 390, 446/391, 475; 206/457; 428/7-9, 13, 15, 428/16, 542.2, 542; 401/48, 52, 88, 89, 98, 401/131, 195**  
See application file for complete search history.

D240,844 S 8/1976 Satten  
D252,807 S \* 9/1979 Schnyderite et al. .... D11/158

(Continued)

**FOREIGN PATENT DOCUMENTS**

DE	86 12 862	9/1986
EP	0 451 246 A1	10/1991
WO	WO 99/42016	8/1999
WO	WO 03/008296 A1	1/2003

**OTHER PUBLICATIONS**

Fig. 1—Glue stick with spaceship decoration, commercially available before Dec. 16, 2004 from Henkel, Germany.

Fig. 2—Glue stick with spaceperson decoration, commercially available before Dec. 16, 2004 from Henkel, Germany.

Fig. 2.1—Decorative glue stick of Fig. 2, with packaging removed.

Fig. 2.2—Decorative glue stick of Fig. 2.1, with decorative portion removed from glue stick.

*Primary Examiner*—Catherine Tuttle

(74) *Attorney, Agent, or Firm*—Trish D. Adamson; Yen Tong Florczak

(57) **CLAIM**

The ornamental design for a decorative article, as shown and described.

**DESCRIPTION**

FIG. 1 is a perspective view of a decorative article according to the present invention;

FIG. 2 is a front view of the decorative article of FIG. 1;

FIG. 3 is a back view of the decorative article of FIG. 1;

FIG. 4 is a right side view of the decorative article of FIG. 1;

FIG. 5 is a left side view of the decorative article of FIG. 1;

FIG. 6 is a top plan view of the decorative article of FIG. 1; and,

FIG. 7 is a bottom plan view of the decorative article of FIG. 1.

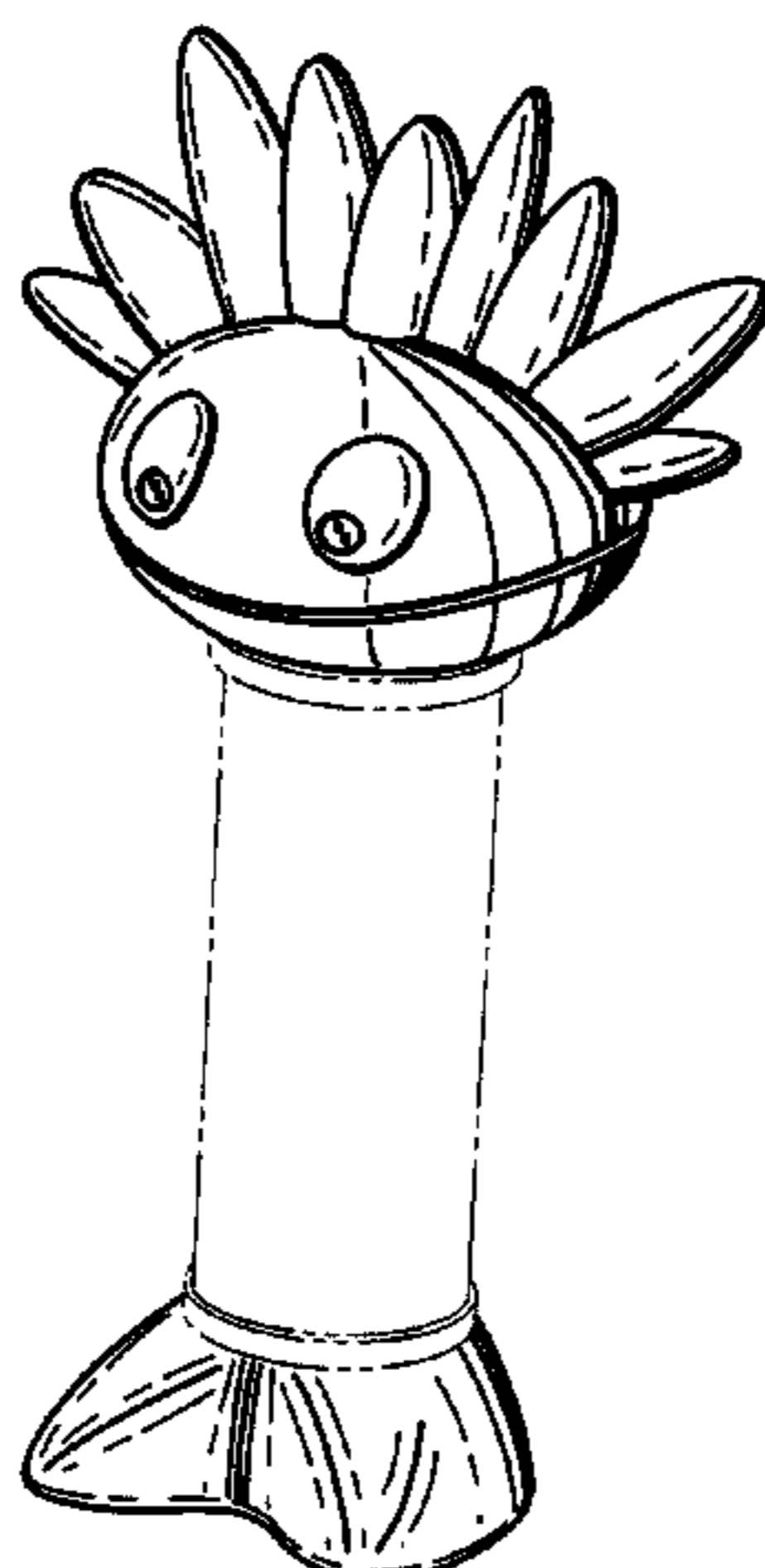
The structure depicted by means of broken lines in the figures has been shown for illustrative purposes only and forms no part of the claimed design.

**1 Claim, 2 Drawing Sheets**

(56) **References Cited**

**U.S. PATENT DOCUMENTS**

D60,908 S	*	4/1922	Karpen	.....	D21/439
2,932,125 A		4/1960	McAllister		
D192,040 S		1/1962	Goldman et al.		
D201,761 S		7/1965	Levy		
3,264,160 A		8/1966	Donofrio		
D215,223 S		9/1969	Goldfarb		
D232,115 S		7/1974	Luzius et al.		
D239,636 S		4/1976	Knudsen et al.		



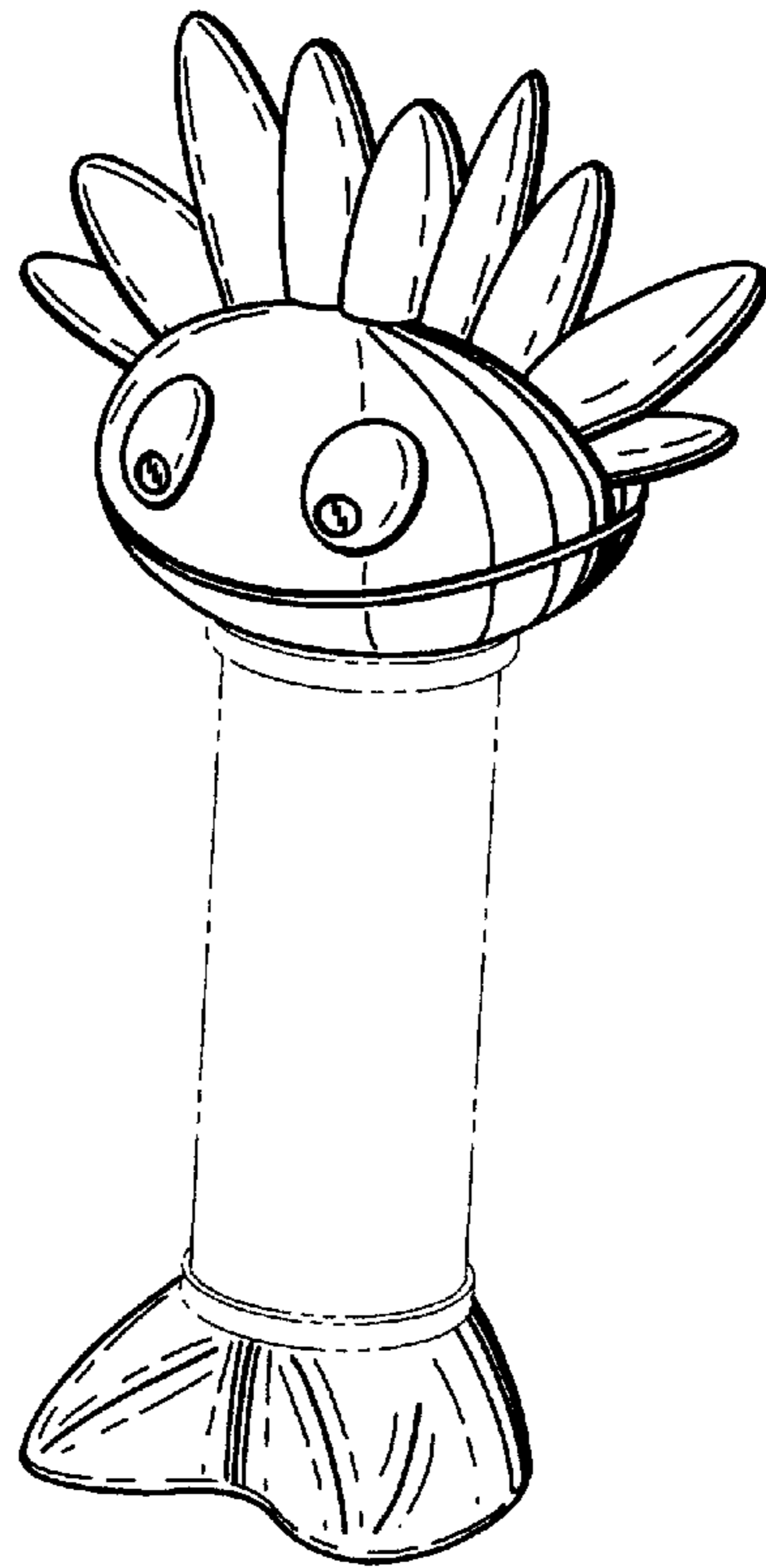
# US D516,949 S

Page 2

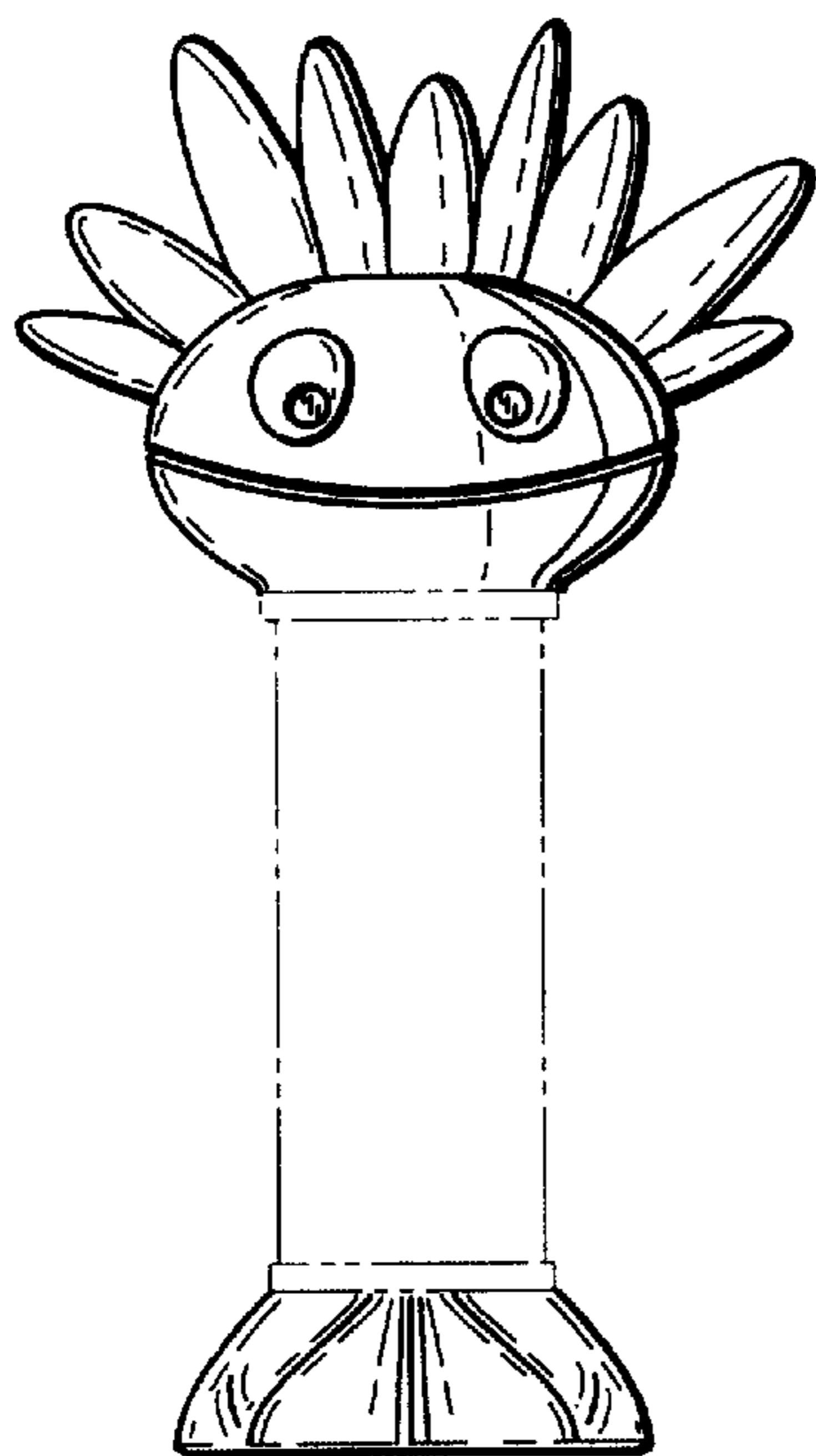
## U.S. PATENT DOCUMENTS

D253,484 S	11/1979	Saitoh		5,927,881 A	7/1999	Yang	
D265,742 S	8/1982	Wilcox		D422,653 S	4/2000	Hedberg et al.	
D271,404 S	11/1983	Chan		D424,135 S	5/2000	Hedberg et al.	
4,468,146 A	8/1984	Tabachnik		6,059,472 A	5/2000	Yeh	
D276,899 S	* 12/1984	Deeley et al.	..... D11/158	D430,237 S	* 8/2000	Kwok	..... D21/578
4,671,514 A	* 6/1987	Wilson-Diehl	..... 273/287	D438,271 S	2/2001	Wall	
D294,843 S	3/1988	Lund		6,247,730 B1	6/2001	Henderson et al.	
D324,087 S	2/1992	Crider		6,332,727 B1	* 12/2001	Hsu	..... 401/195
D329,507 S	9/1992	Assmann		D456,741 S	5/2002	Domenig	
D343,431 S	* 1/1994	Kane	..... D21/588	D457,101 S	* 5/2002	Domenig	..... D11/160
5,310,380 A	* 5/1994	Levy et al.	..... 446/489	D470,199 S	* 2/2003	Manville	..... D21/658
D366,673 S	* 1/1996	Harling-Berg	..... D21/623	D470,886 S	* 2/2003	Sheng	..... D19/42
5,675,859 A	10/1997	Barre		D500,819 S	* 1/2005	Aoki	..... D21/625
D387,400 S	12/1997	Grasso		2004/0055920 A1	3/2004	Perez	
D404,440 S	* 1/1999	Watanabe	..... D21/585				

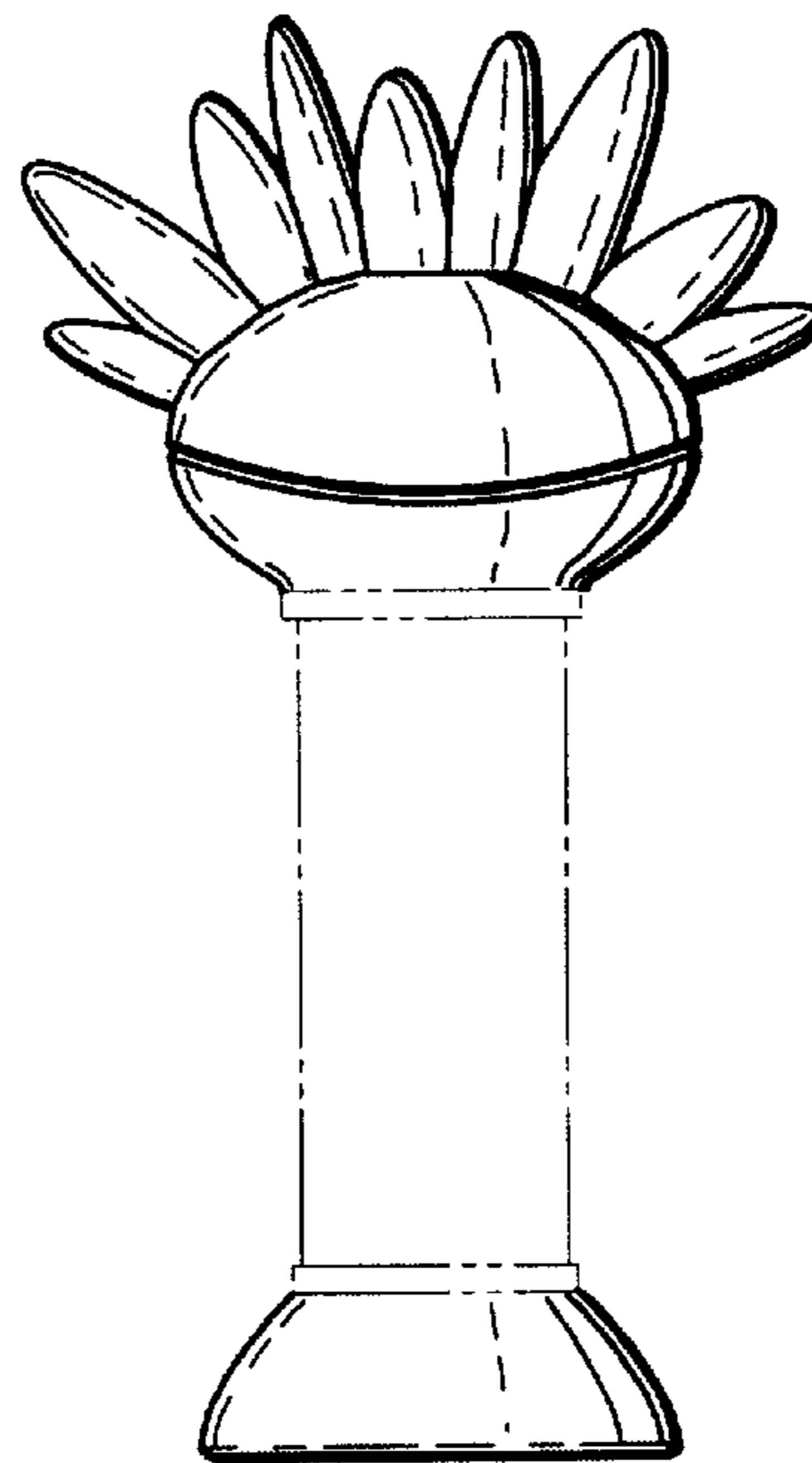
\* cited by examiner



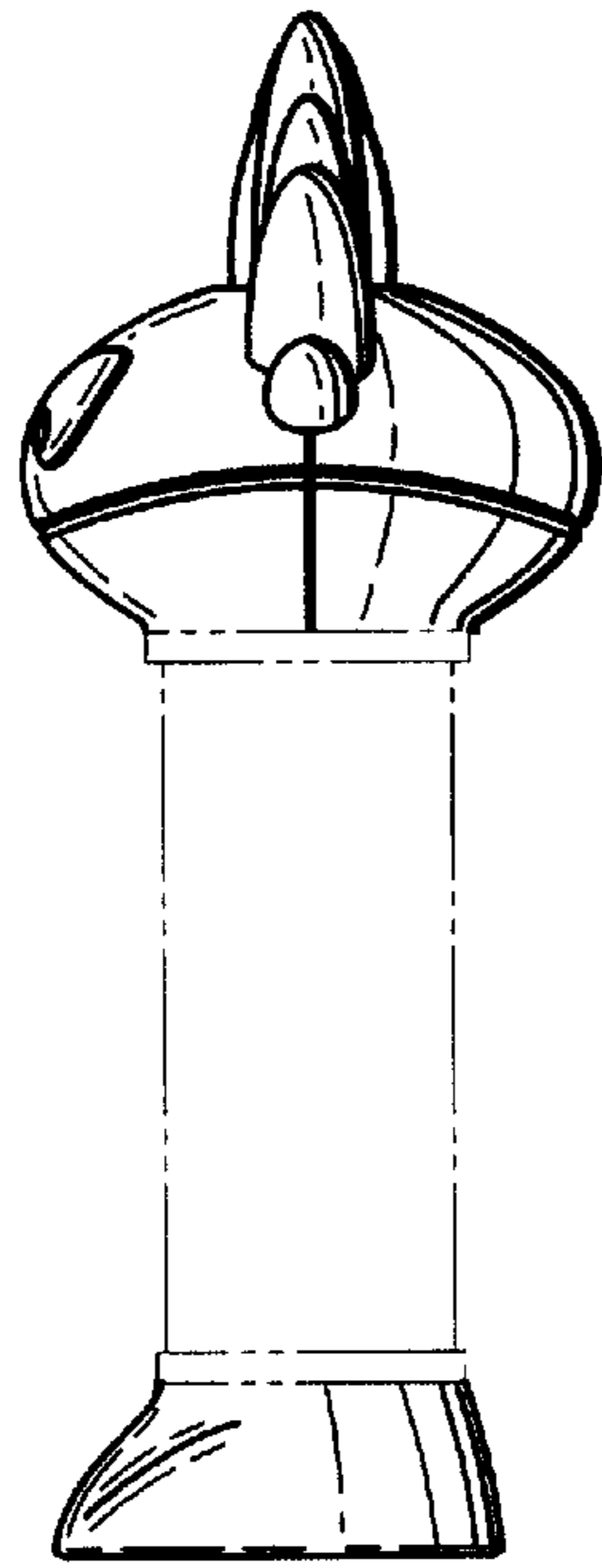
*Fig. 1*



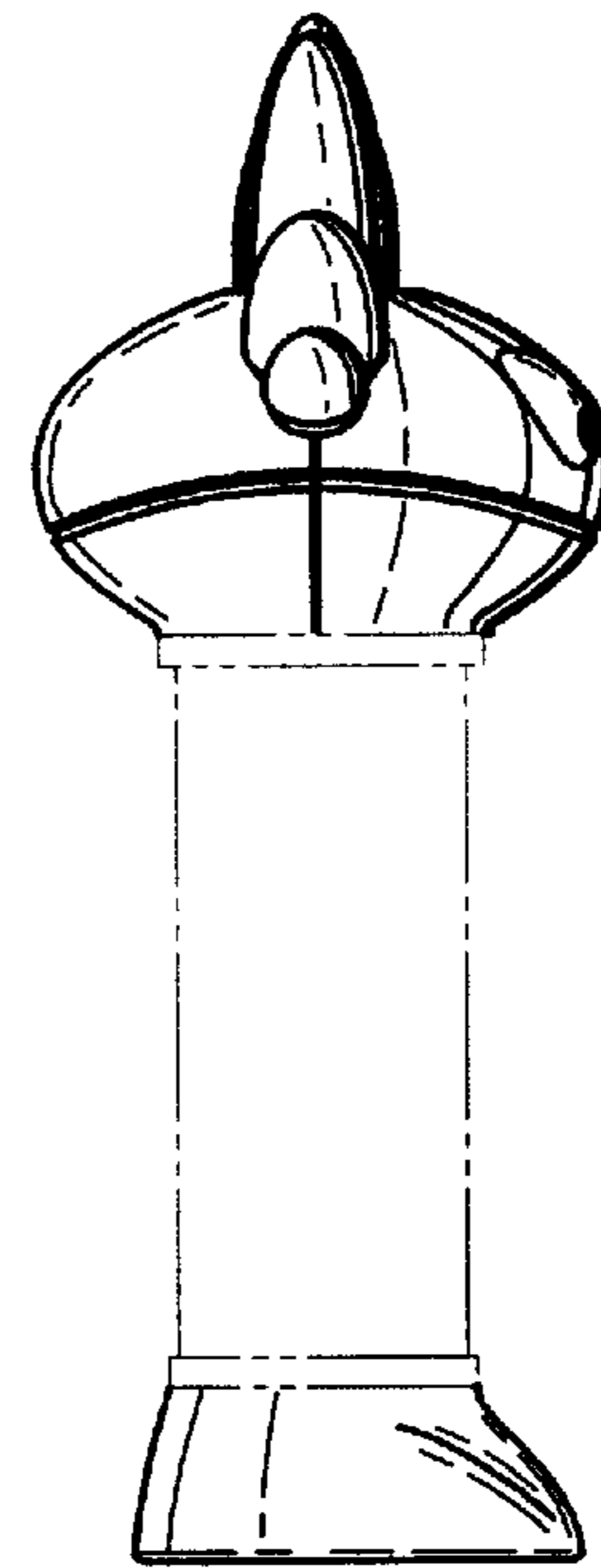
*Fig. 2*



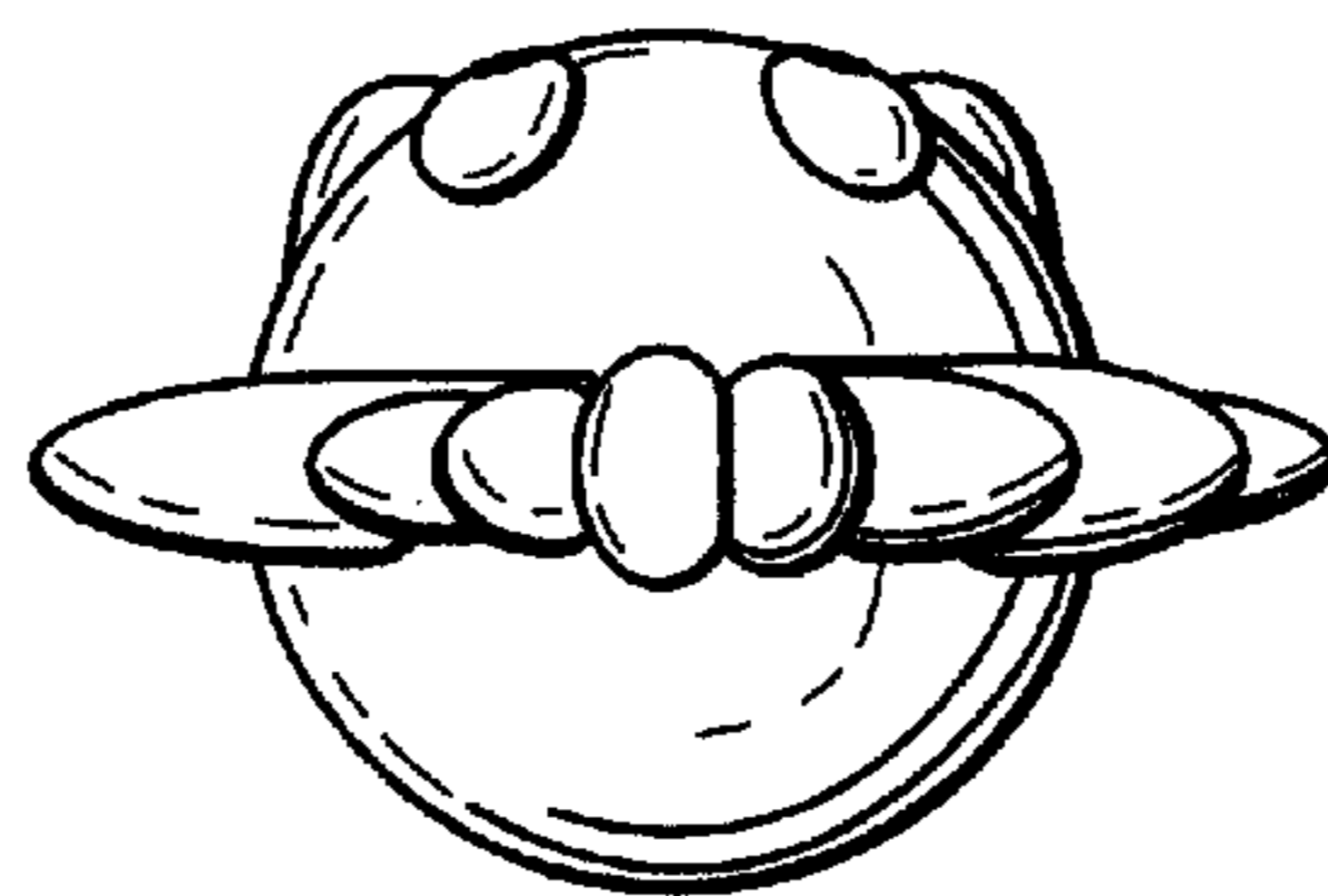
*Fig. 3*



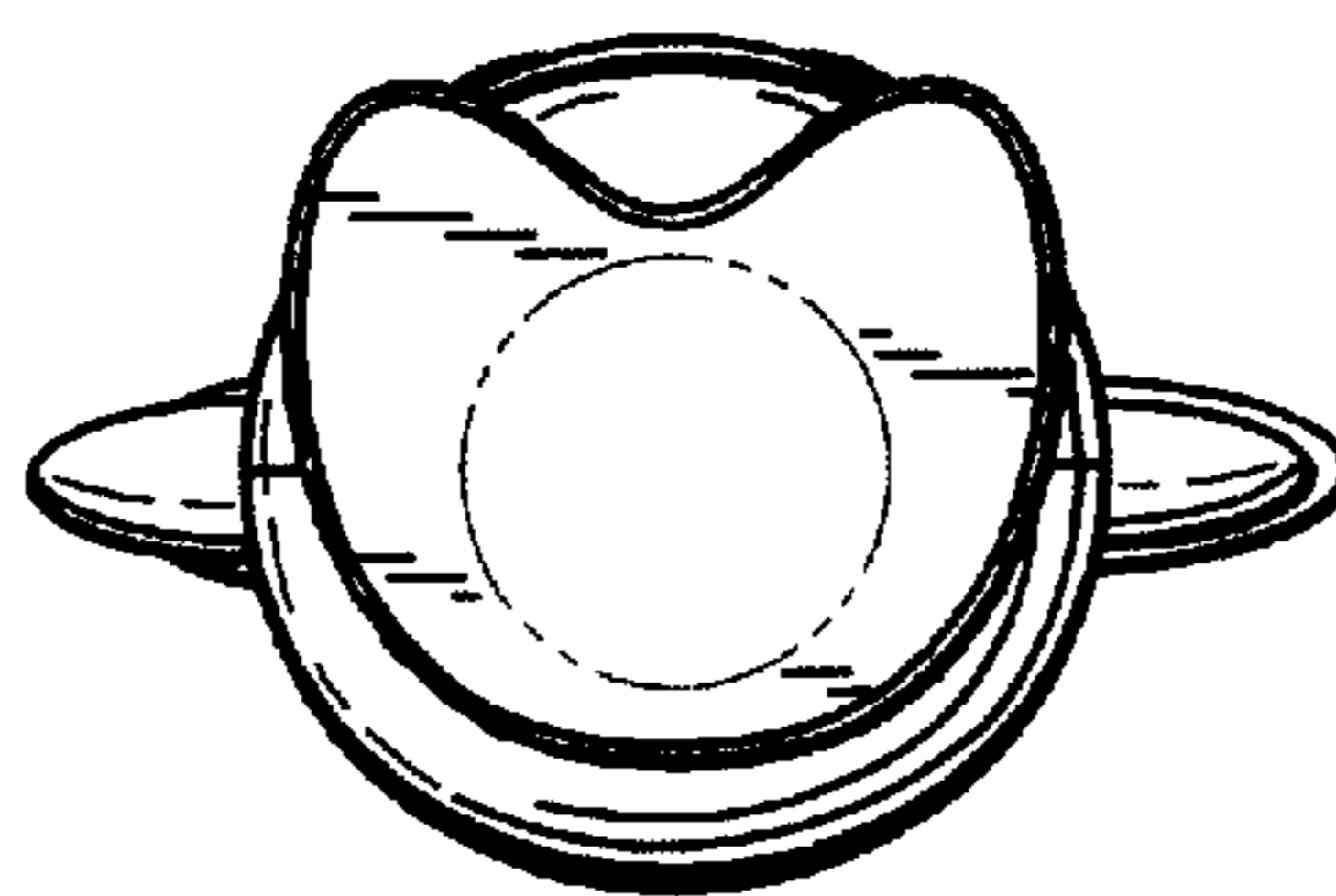
*Fig. 4*



*Fig. 5*



*Fig. 6*



*Fig. 7*