



US00D516947S

(12) **United States Design Patent**  
**Giampavolo**

(10) **Patent No.:** **US D516,947 S**  
(45) **Date of Patent:** **\*\* Mar. 14, 2006**

(54) **FLOWER BOUQUET HOLDER**

(76) Inventor: **Paul Giampavolo**, 10 Kingsbridge Rd.,  
Fairfield, NJ (US) 07004

(\*\*) Term: **14 Years**

(21) Appl. No.: **29/218,553**

(22) Filed: **Dec. 3, 2004**

**Related U.S. Application Data**

(62) Division of application No. 29/168,882, filed on Oct. 10,  
2002, now Pat. No. Des. 500,703.

(51) **LOC (8) Cl.** ..... **11-02**

(52) **U.S. Cl.** ..... **D11/146**

(58) **Field of Classification Search** ..... D7/527,  
D7/560, 564, 565, 566; D9/428, 429; D11/143-146,  
D11/148, 149, 150, 151, 152, 153, 154; 47/41.01,  
47/65.5, 65.7, 66.6, 67; 206/423  
See application file for complete search history.

(56) **References Cited**

**U.S. PATENT DOCUMENTS**

1,421,327 A \* 6/1922 Waters ..... 47/41.01  
1,812,737 A \* 6/1931 Coughlin et al. .... 47/41.01  
D103,930 S \* 4/1937 Freeman, Jr. .... D11/152

D104,250 S \* 4/1937 Gartland ..... D11/152  
3,906,666 A \* 9/1975 Daenen et al. .... 47/41.13  
D287,204 S \* 12/1986 Bierlein et al. .... D7/523  
D299,624 S \* 1/1989 Rothman et al. .... D11/152  
D417,637 S \* 12/1999 Appleton ..... D11/148  
6,067,748 A \* 5/2000 Williams ..... 47/41.01  
2003/0005624 A1 \* 1/2003 Giampavolo et al. .... 47/41.01

\* cited by examiner

*Primary Examiner*—Jeffrey Asch

*Assistant Examiner*—Elizabeth Albert

(74) *Attorney, Agent, or Firm*—Osterlenk, Faber, Gerb &  
Soffen, LLP

(57) **CLAIM**

The ornamental design for a flower bouquet holder, as  
shown and described.

**DESCRIPTION**

FIG. 1 is a right side view of a flower bouquet holder  
showing my new design, the opposite left side view being a  
mirror image;

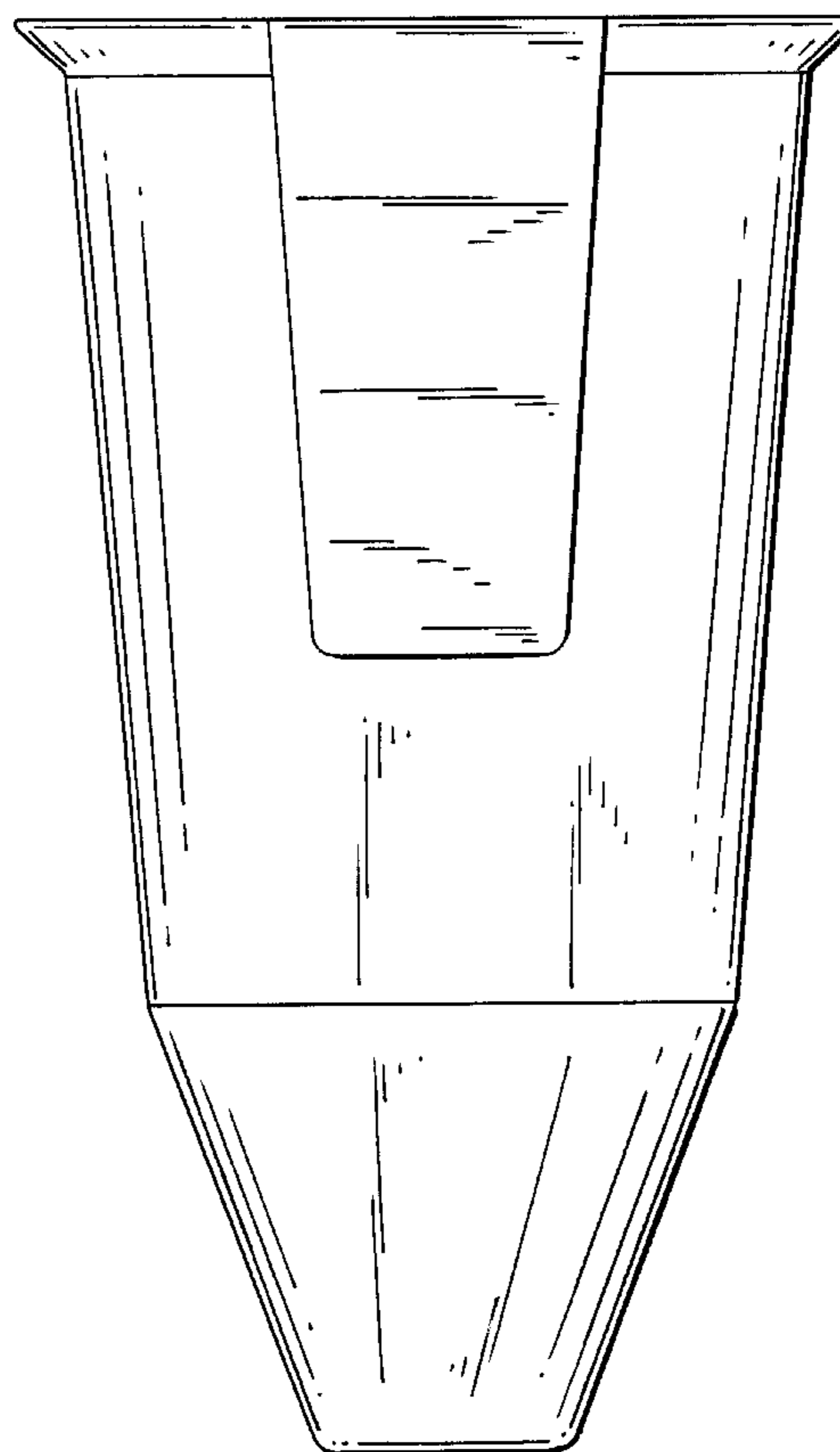
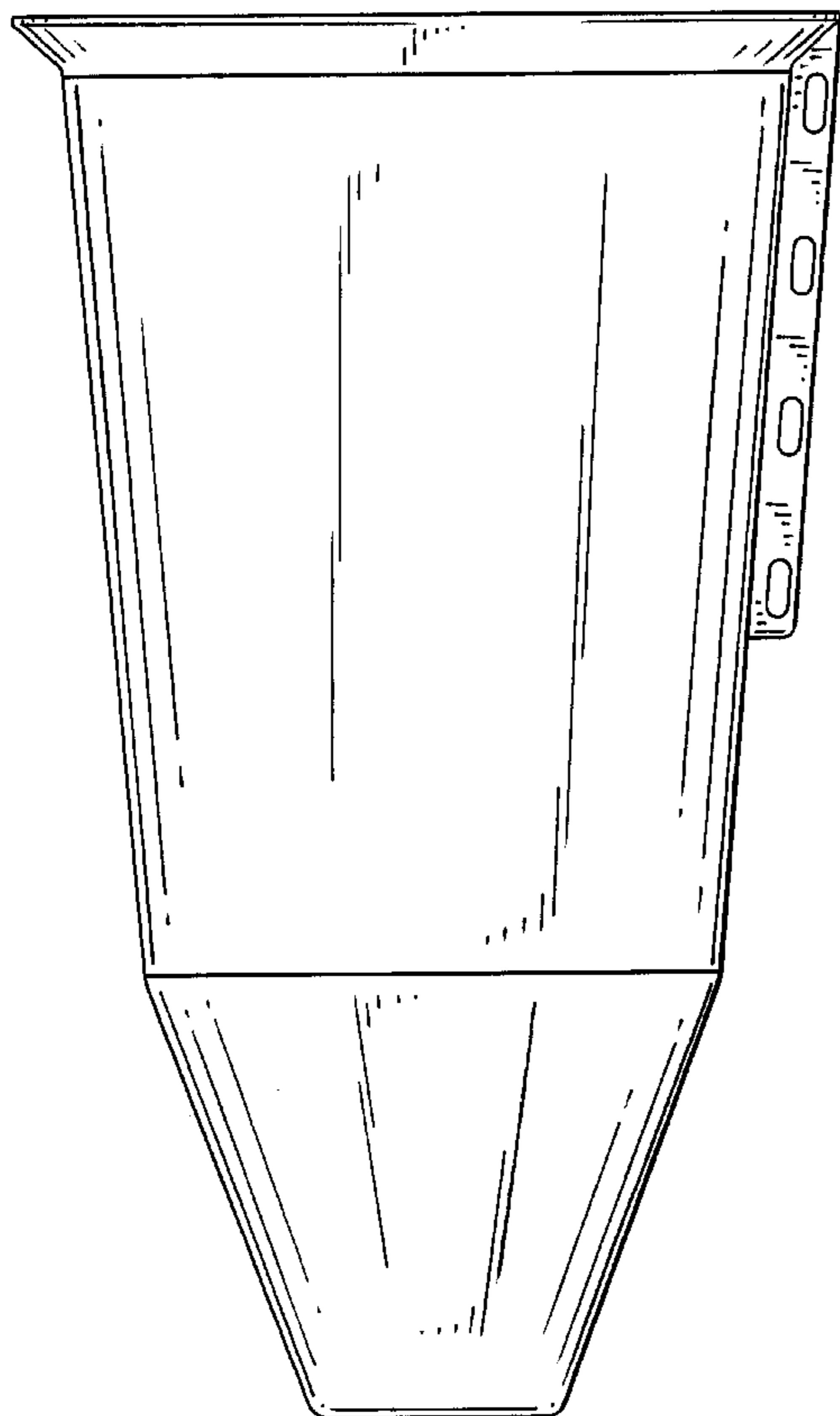
FIG. 2 is a rear view of the design of FIG. 1;

FIG. 3 is a front view of the design of FIG. 1;

FIG. 4 is a top view of the design of FIG. 1; and,

FIG. 5 is a bottom view of the design of FIG. 1.

**1 Claim, 5 Drawing Sheets**



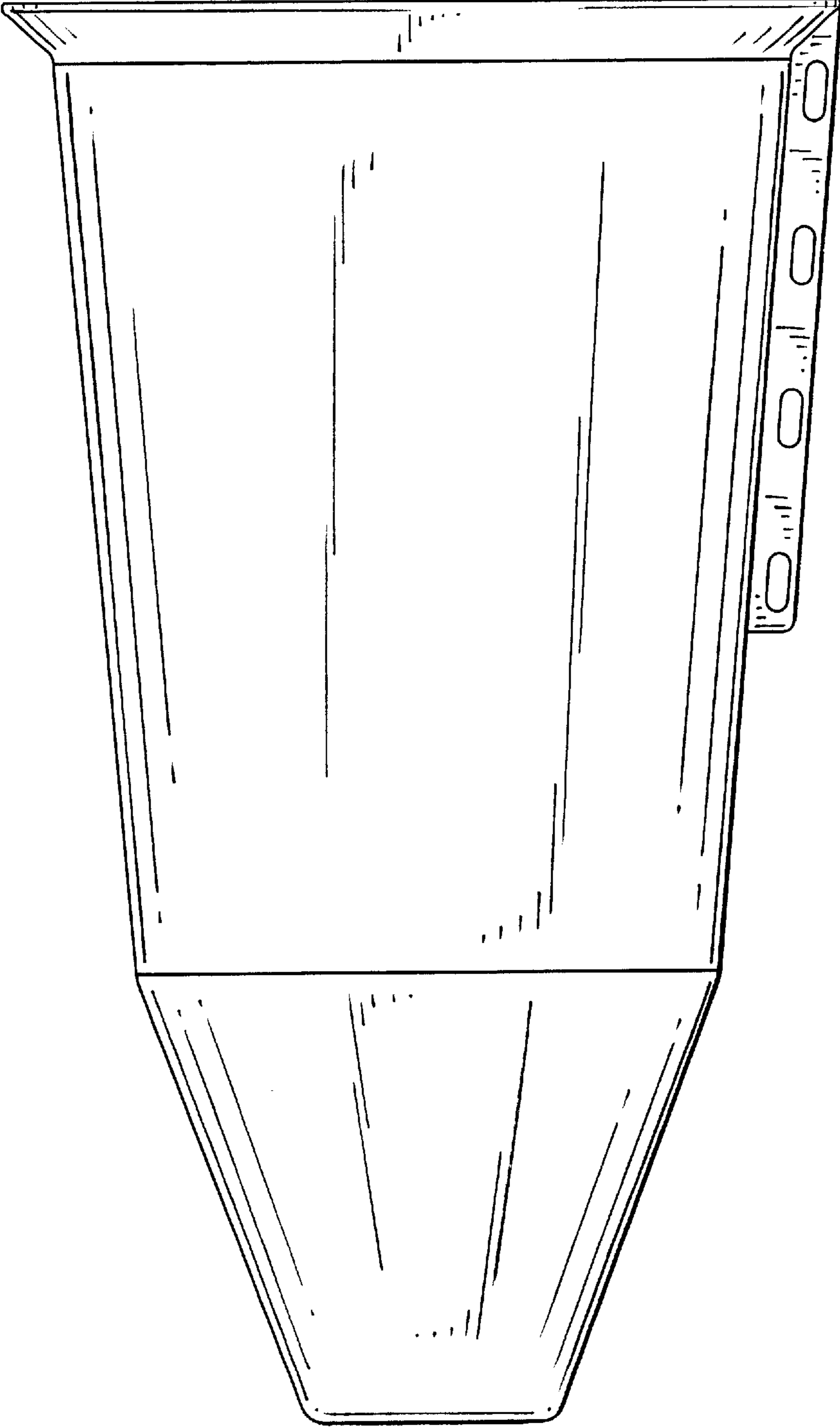


FIGURE 1

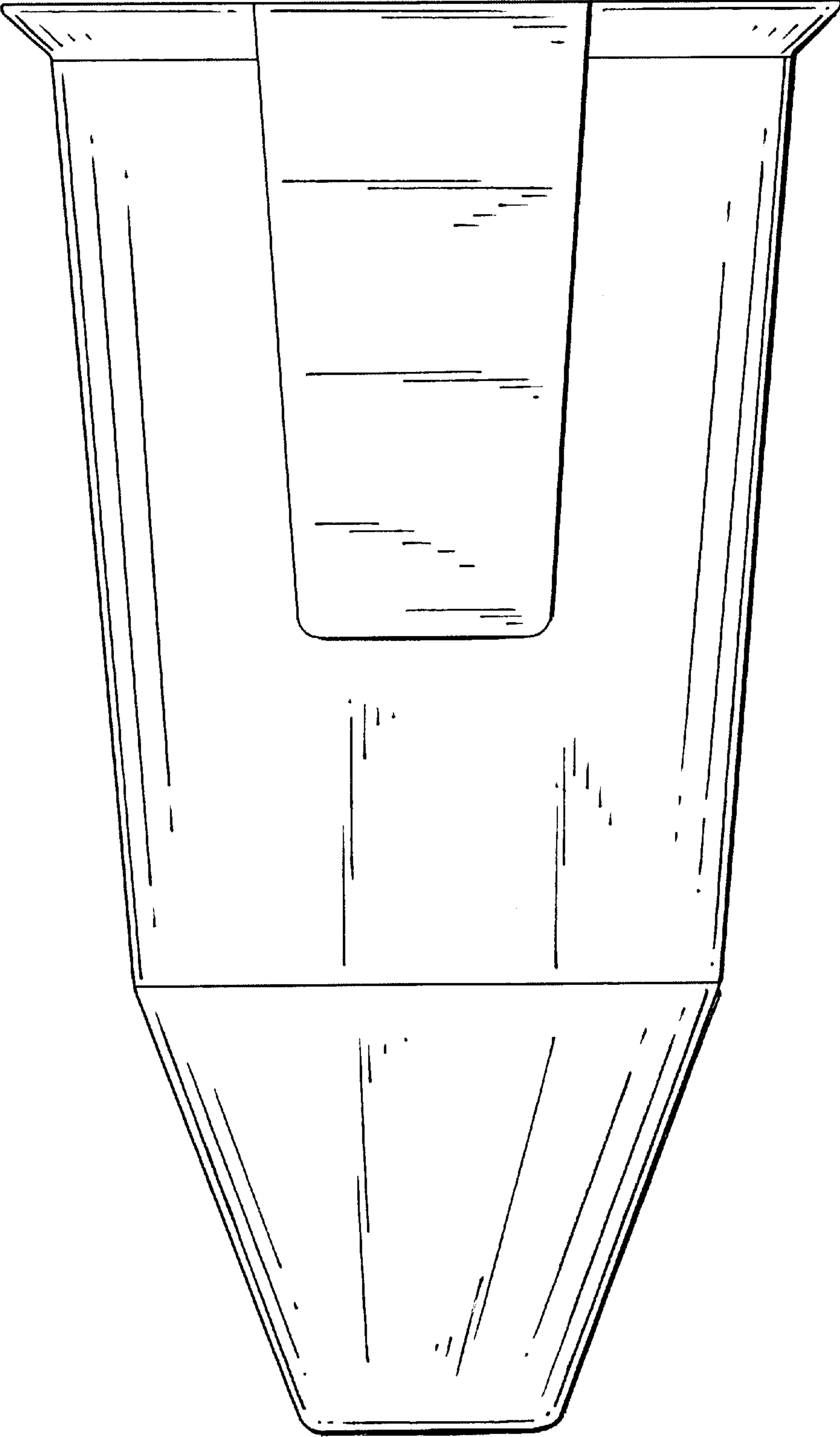


FIGURE 2

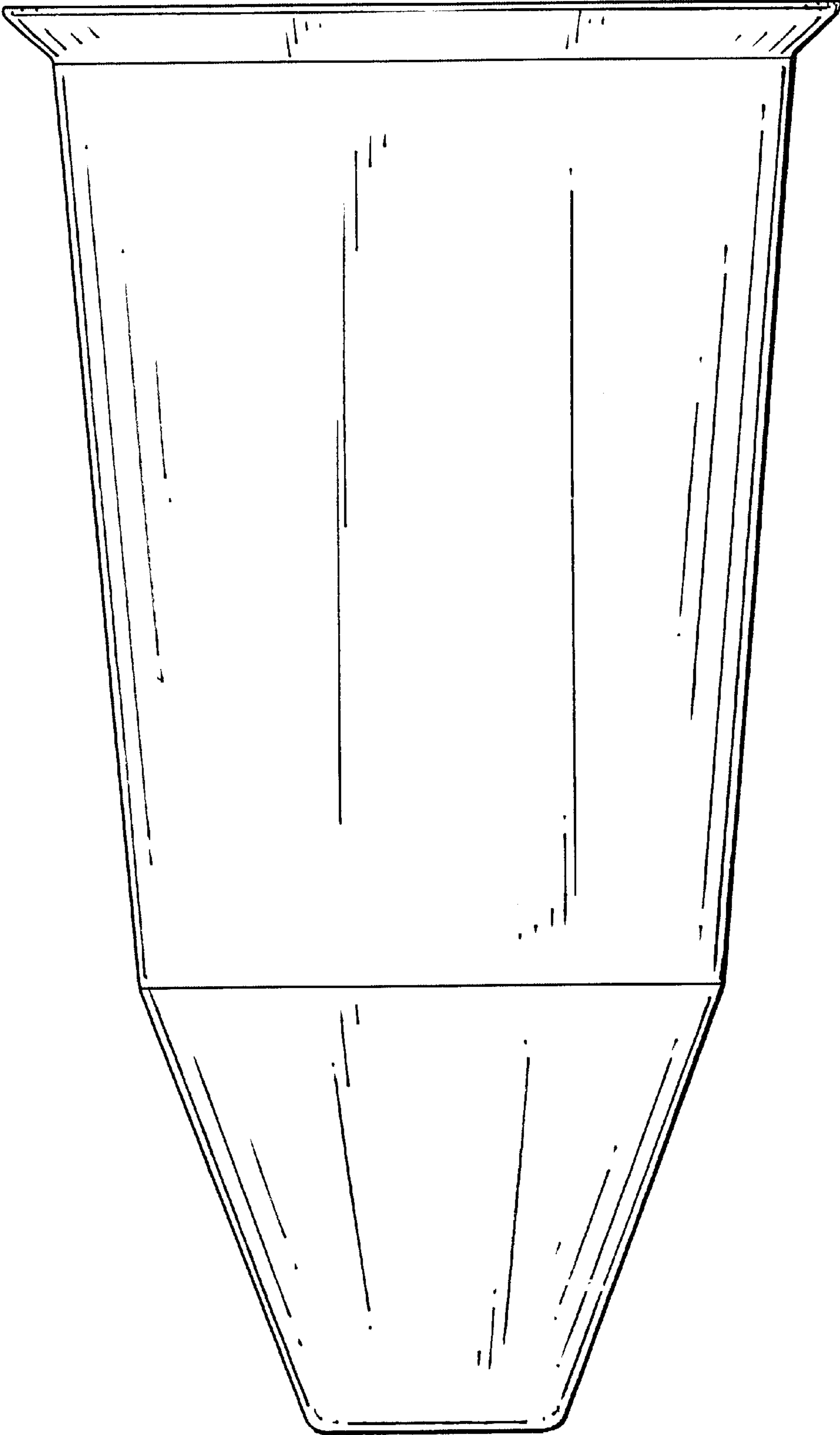


FIGURE 3

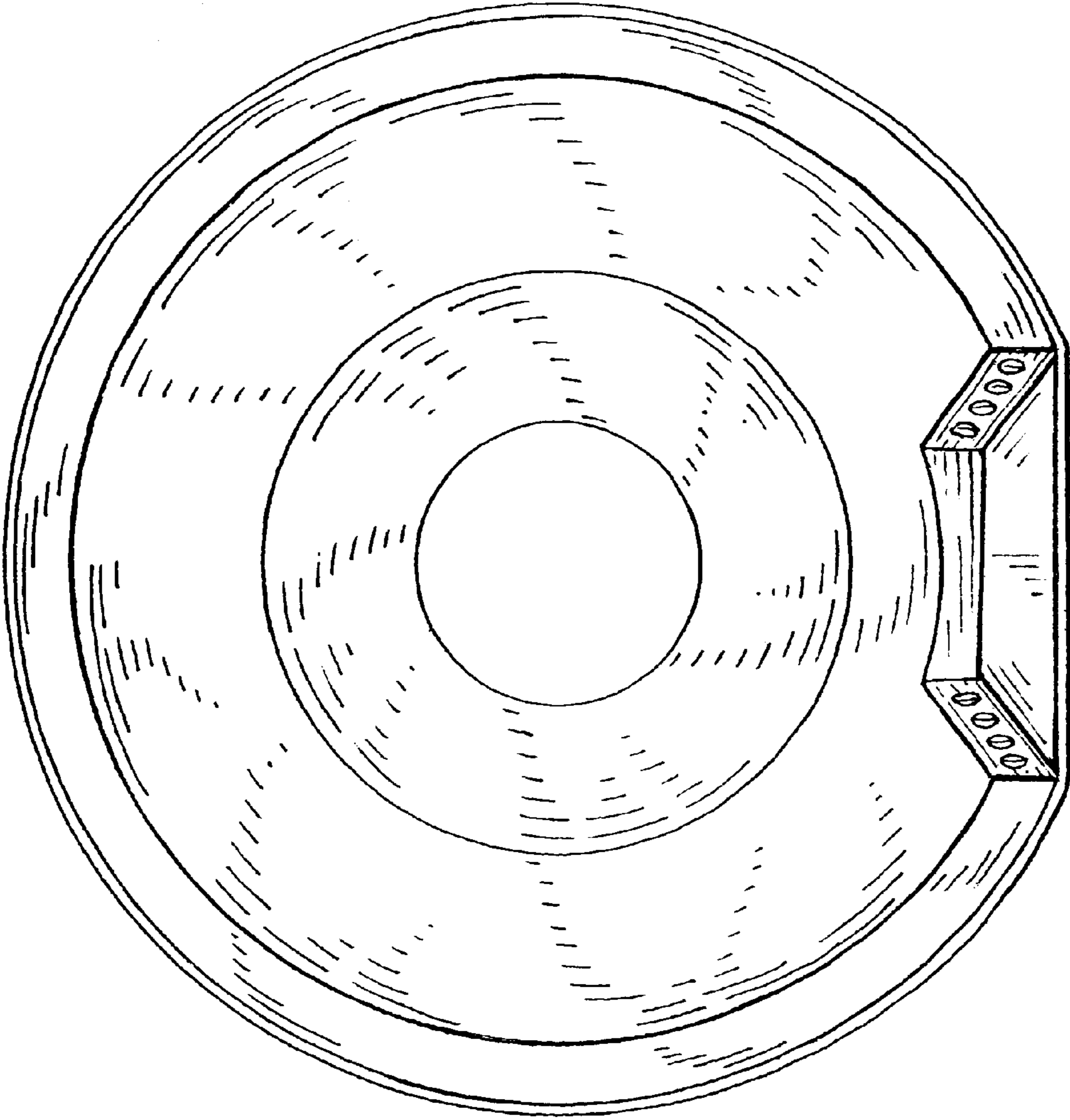


FIGURE 4

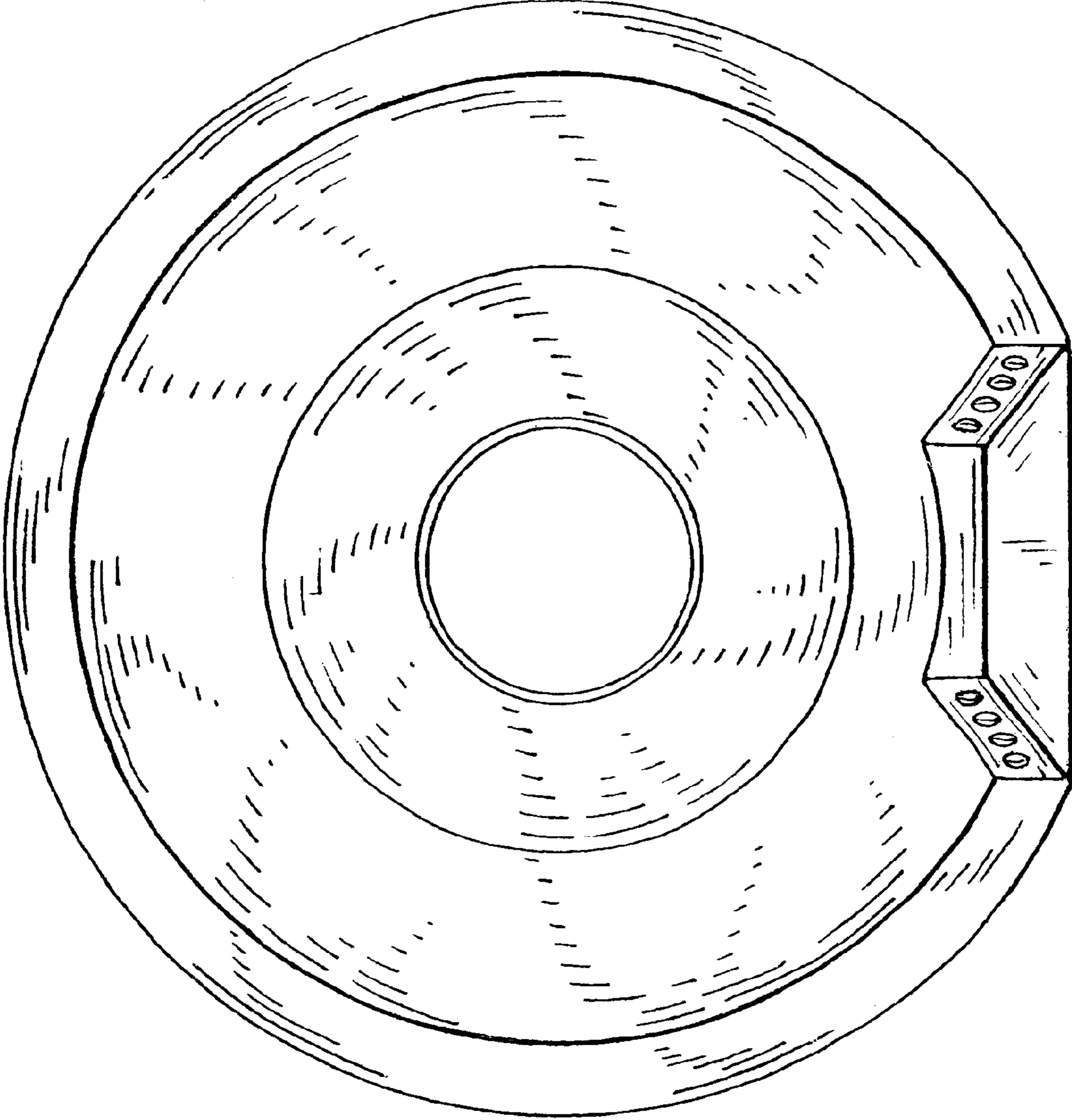


FIGURE 5