



US00D516944S

(12) **United States Design Patent**
Weiser et al.

(10) **Patent No.: US D516,944 S**
(45) **Date of Patent: ** Mar. 14, 2006**

(54) **WHIMSICAL FLOWER**

(75) Inventors: **Margaret Weiser**, Tarzana, CA (US);
Isaac Weiser, Tarzana, CA (US)

(73) Assignee: **Exhart Environmental Systems, Inc.**,
Chatsworth, CA (US)

(**) Term: **14 Years**

(21) Appl. No.: **29/206,767**

(22) Filed: **Jun. 2, 2004**

(51) **LOC (8) Cl.** **11-04**

(52) **U.S. Cl.** **D11/117**

(58) **Field of Classification Search** D11/117-125,
D11/130, 131, 141, 157, 33, 44, 47, 63, 67,
D11/84; D21/458, 496, 483, 585; D23/215,
D23/222; D26/4, 7, 19, 57, 67, 73, 101, 127,
D26/156; 446/76, 175, 217, 236; 40/411-415,
40/429-432, 439-441, 473, 479, 480; 428/7-17,
428/23-27, 31, 542.2, 542.4

See application file for complete search history.

(56) **References Cited**

U.S. PATENT DOCUMENTS

- D11,495 S * 11/1879 *Somes* D11/47
- 593,329 A * 11/1897 *McLaughlin* 239/55
- 1,310,234 A * 7/1919 *Denning* 40/413
- 1,720,881 A * 7/1929 *Brewster* 239/57

- D95,019 S * 4/1935 *Cooperstein* D11/146
- 2,190,283 A * 2/1940 *Eckelberg* 362/255
- 2,220,442 A * 11/1940 *Foret* 63/31
- D137,644 S * 4/1944 *Hobe* D11/66
- 2,439,045 A * 4/1948 *Fox* 206/756
- 2,823,525 A * 2/1958 *Crigler* 63/14.1
- D319,705 S * 9/1991 *Tsai* D26/127
- 5,659,988 A * 8/1997 *Kim et al.* 40/440
- D438,139 S * 2/2001 *Mozena* D11/117
- 6,422,913 B1 * 7/2002 *Trejo* 446/217

* cited by examiner

Primary Examiner—Catherine Tuttle

(74) *Attorney, Agent, or Firm*—Cislo & Thomas LLP

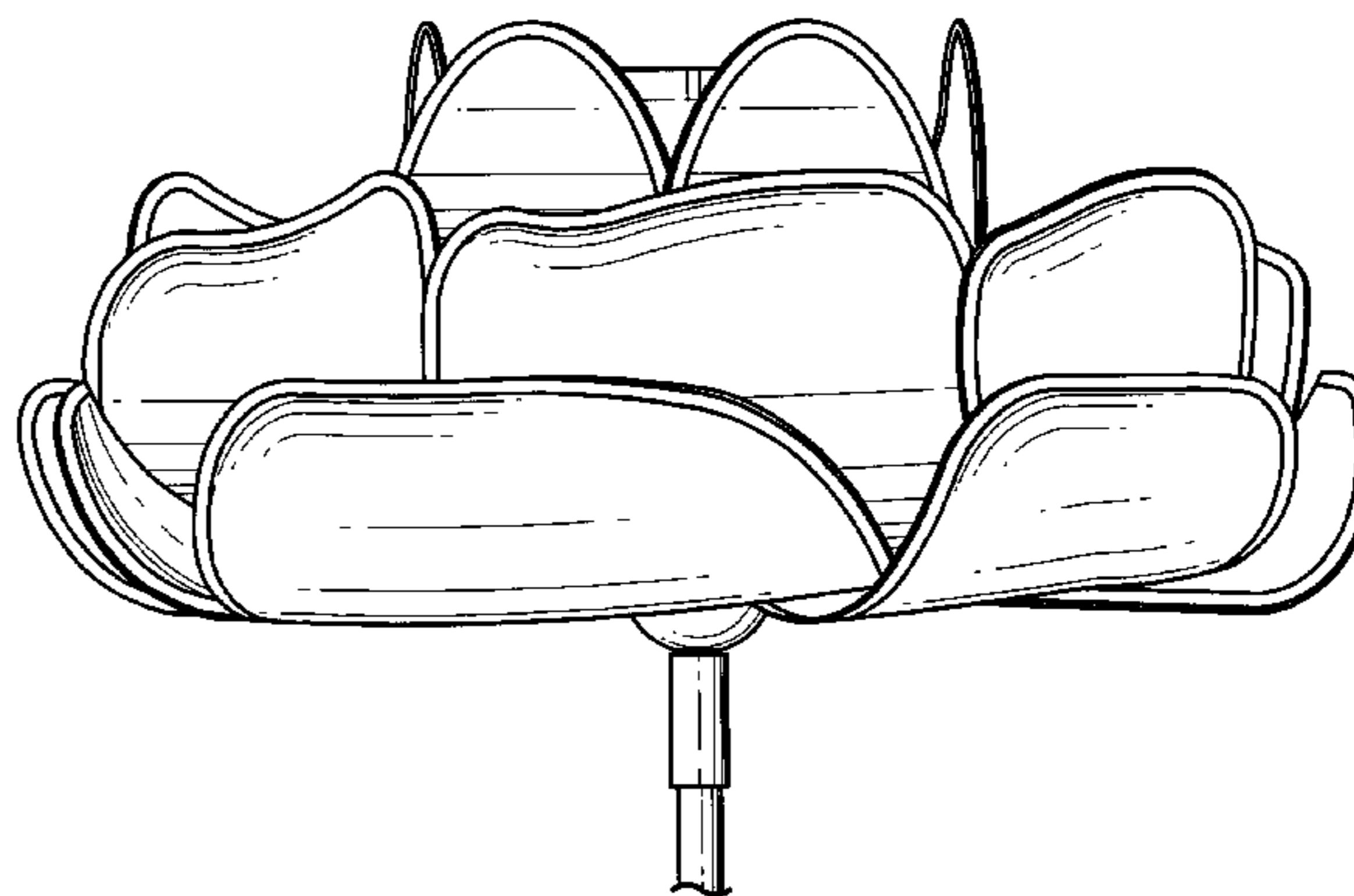
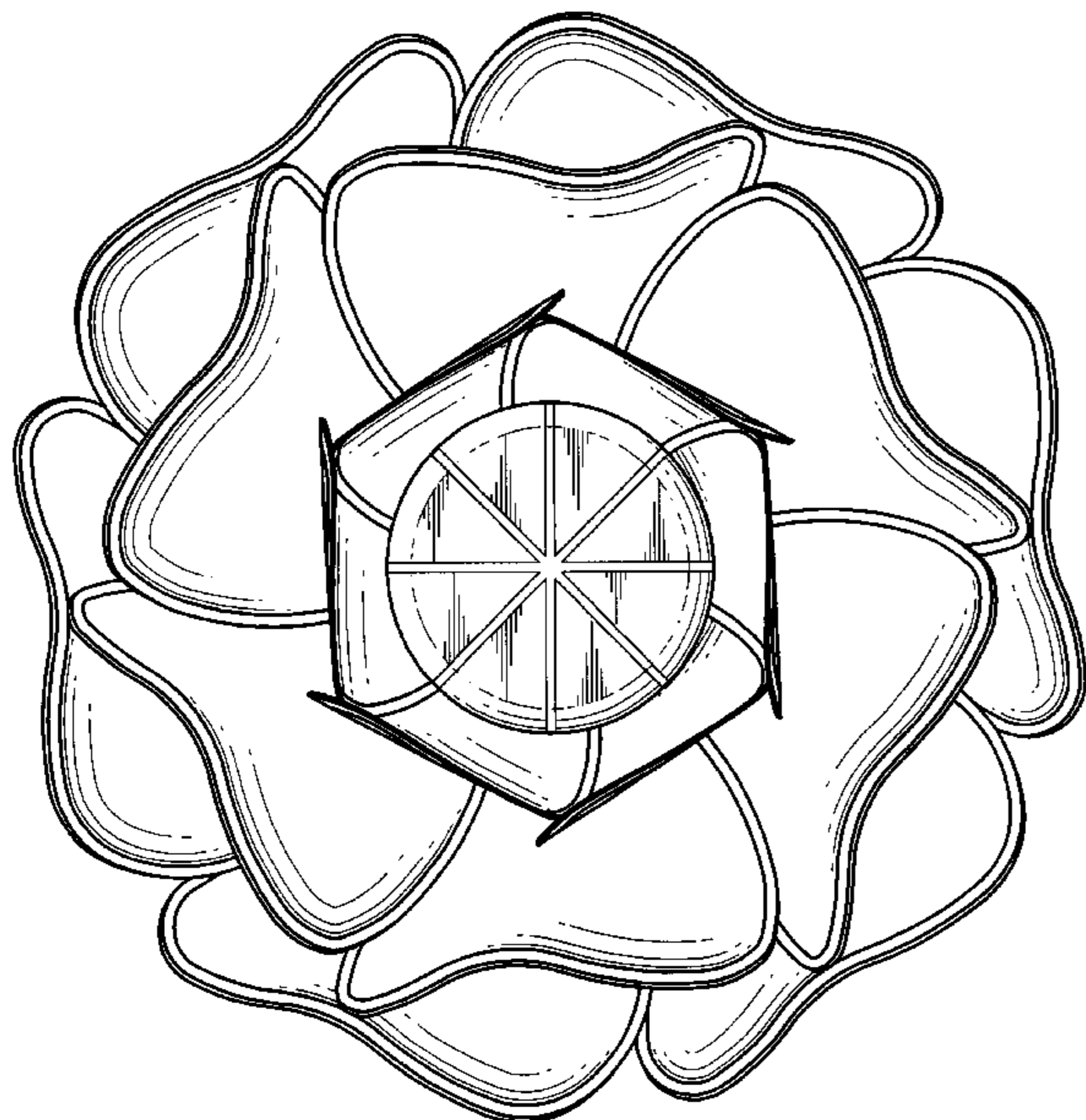
(57) **CLAIM**

We claim the ornamental design for a whimsical flower, as shown and described.

DESCRIPTION

FIG. 1 is a top plan view of our whimsical flower;
FIG. 2 is a bottom plan view thereof;
FIG. 3 is a front elevational view thereof with the back
elevational view being a mirror image thereof; and,
FIG. 4 is a right side elevational thereof with the left side
elevational view being a mirror image thereof.
The stem portion of the design is shown partially broken
away in the elevational views to indicate indeterminate
length.

1 Claim, 3 Drawing Sheets



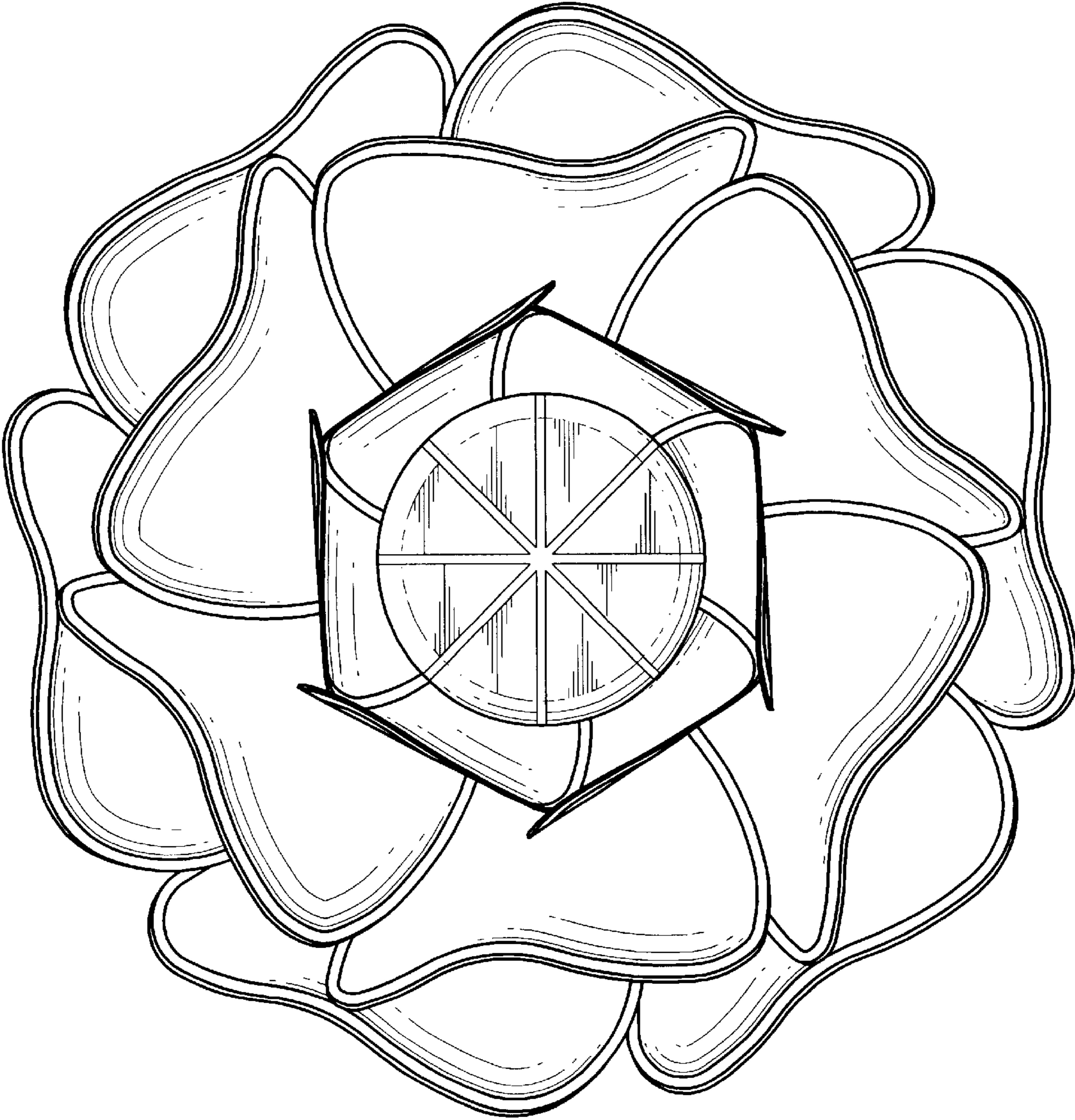


FIG. 1

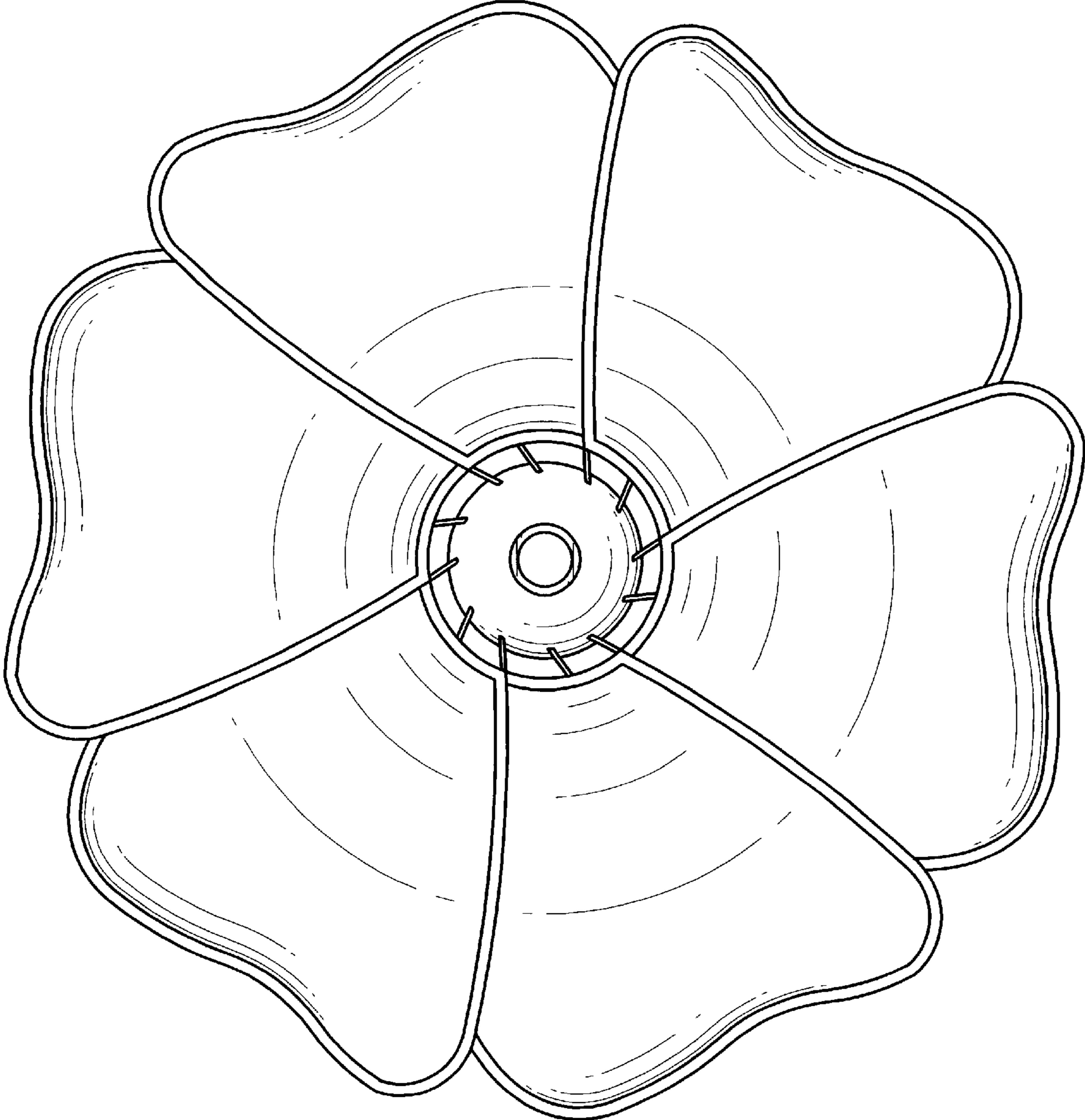


FIG. 2

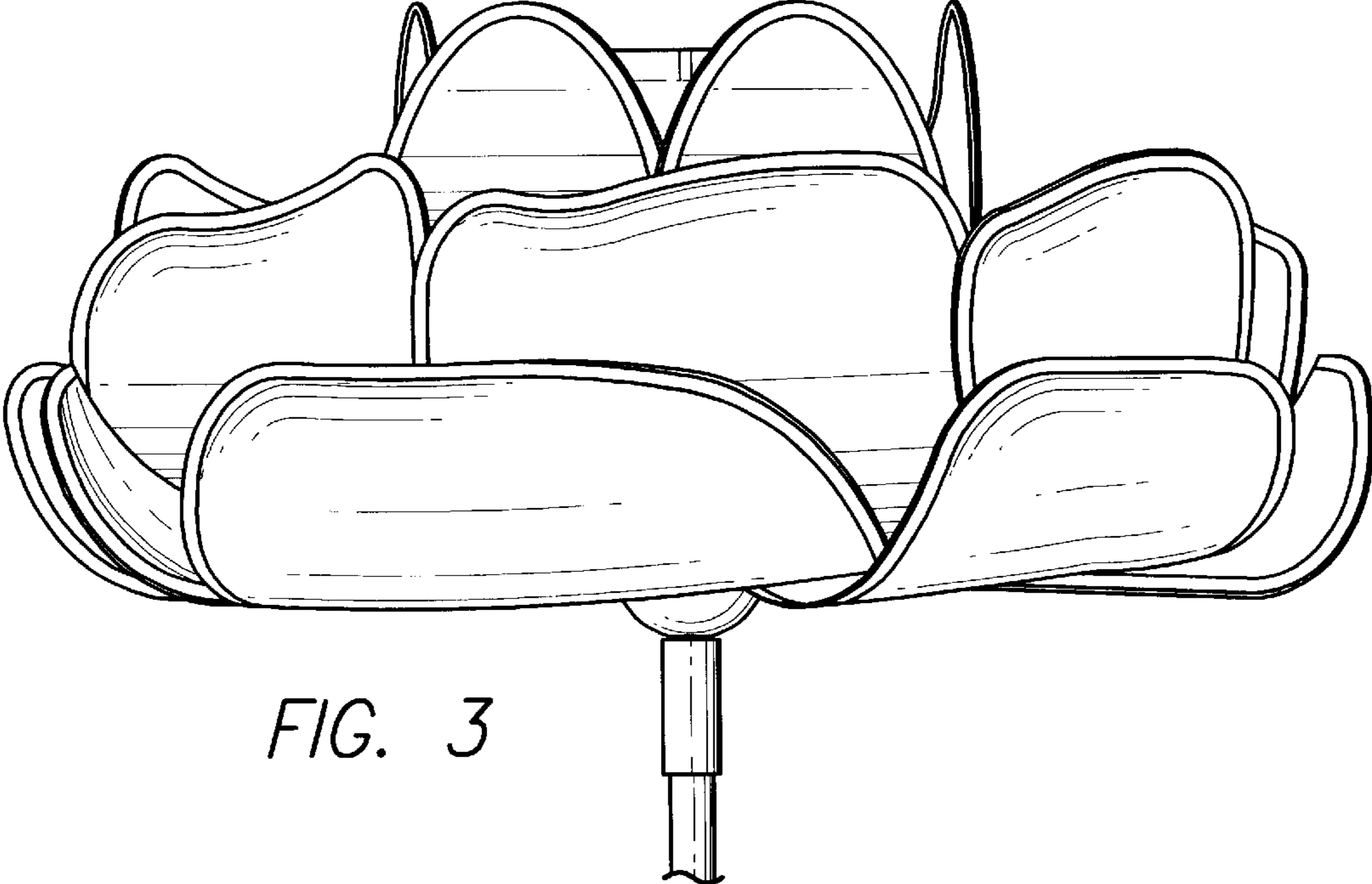


FIG. 3

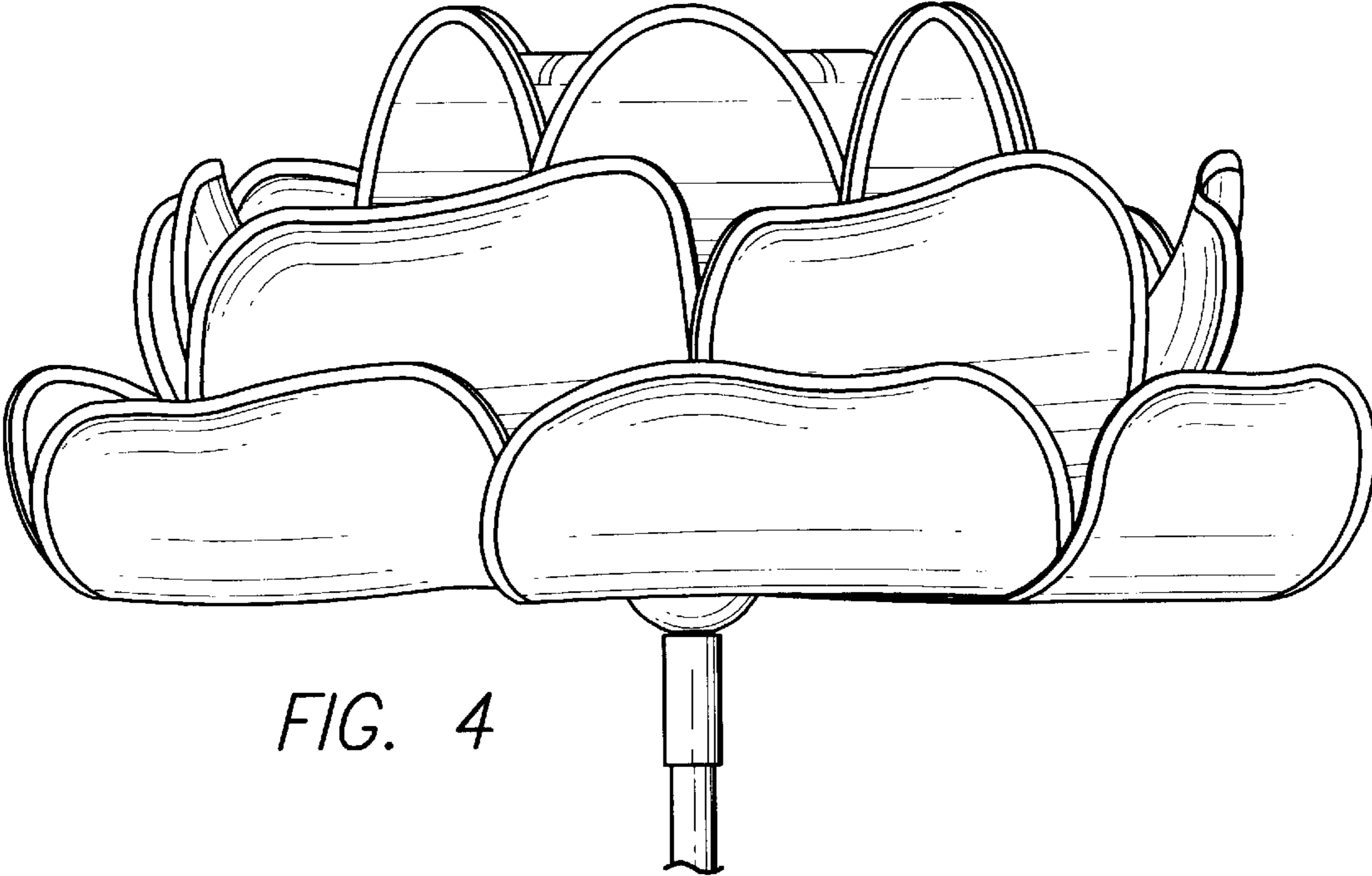


FIG. 4