



US00D516930S

(12) **United States Design Patent**
Dicke et al.

(10) **Patent No.:** **US D516,930 S**
(45) **Date of Patent:** **** Mar. 14, 2006**

(54) **BASE FOR WARNING LIGHT**

(75) Inventors: **Grant Donald Dicke**, Downers Grove, IL (US); **Ian Wareing**, Leyland (GB)

(73) Assignee: **Dicke Tool Company**, Downers Grove, IL (US)

(**) Term: **14 Years**

(21) Appl. No.: **29/231,440**

(22) Filed: **Jun. 3, 2005**

(51) **LOC (8) Cl.** **10-05**

(52) **U.S. Cl.** **D10/114**

(58) **Field of Classification Search** D10/114,
D10/109, 121; D26/118, 85, 86, 72; D13/156;
D9/544, 687, 571, 573; D6/441; 340/908.1,
340/331, 815.76; 362/194, 310; 312/324
See application file for complete search history.

(56) **References Cited**

U.S. PATENT DOCUMENTS

D114,329 S	*	4/1939	Greg	D26/86
D157,362 S	*	2/1950	Francis	D6/441
D185,725 S	*	7/1959	Weiland	D13/156
2,918,668 A	*	12/1959	Stube	340/331
4,259,712 A	*	3/1981	Vodicka	362/310
D332,757 S	*	1/1993	Thomas et al.	D10/114
D364,242 S	*	11/1995	Fiorato	D26/85
D383,407 S	*	9/1997	Repp et al.	D10/106
D422,899 S	*	4/2000	Kudo	D9/687

D428,818 S	*	8/2000	Waitzenegger	D9/544
D472,668 S	*	4/2003	Herst et al.	D26/118
D484,633 S	*	12/2003	Campagna	D26/72

* cited by examiner

Primary Examiner—Cathron C. Brooks

Assistant Examiner—Austin Murphy

(74) *Attorney, Agent, or Firm*—Olson & Hierl, Ltd.

(57) **CLAIM**

The ornamental design for a base for warning light, as shown and described.

DESCRIPTION

FIG. 1 is a perspective view of a base for warning light showing the new design;

FIG. 2 is a front elevational view thereof;

FIG. 3 is a rear elevational view thereof;

FIG. 4 is a side elevational view from one side thereof,

FIG. 5 is a side elevational view from an opposing side thereof,

FIG. 6 is a top plan view thereof;

FIG. 7 is a bottom plan view thereof; and,

FIG. 8 is a perspective view thereof with a lens assembly shown in broken lines mounted thereon.

The broken lines immediately adjacent to the shaded areas in FIGS. 1, 6, and 7 represent the bounds of the claim and all other broken lines are for illustrative purposes only. None of the broken lines form part of the claimed design.

1 Claim, 5 Drawing Sheets

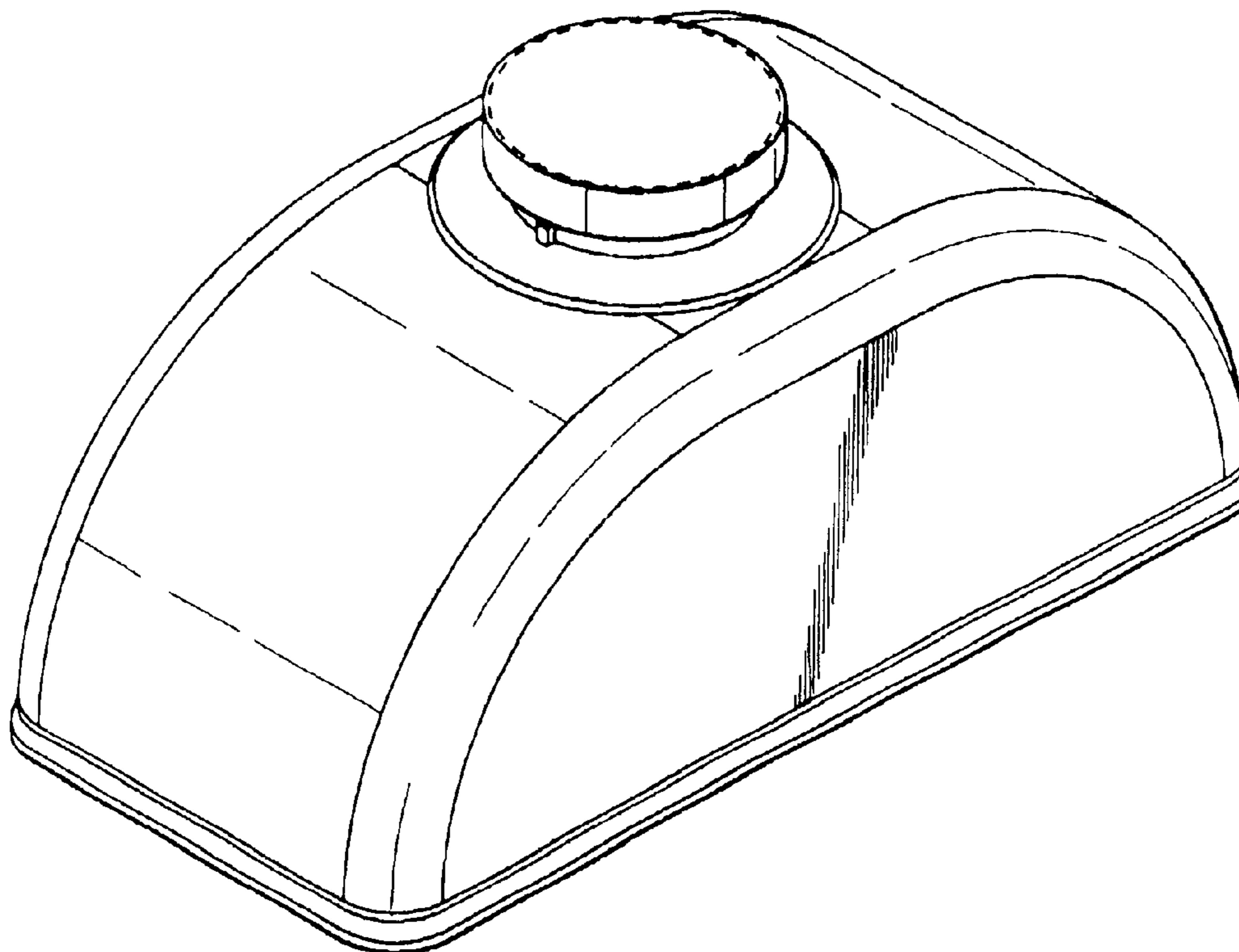


Fig. 1

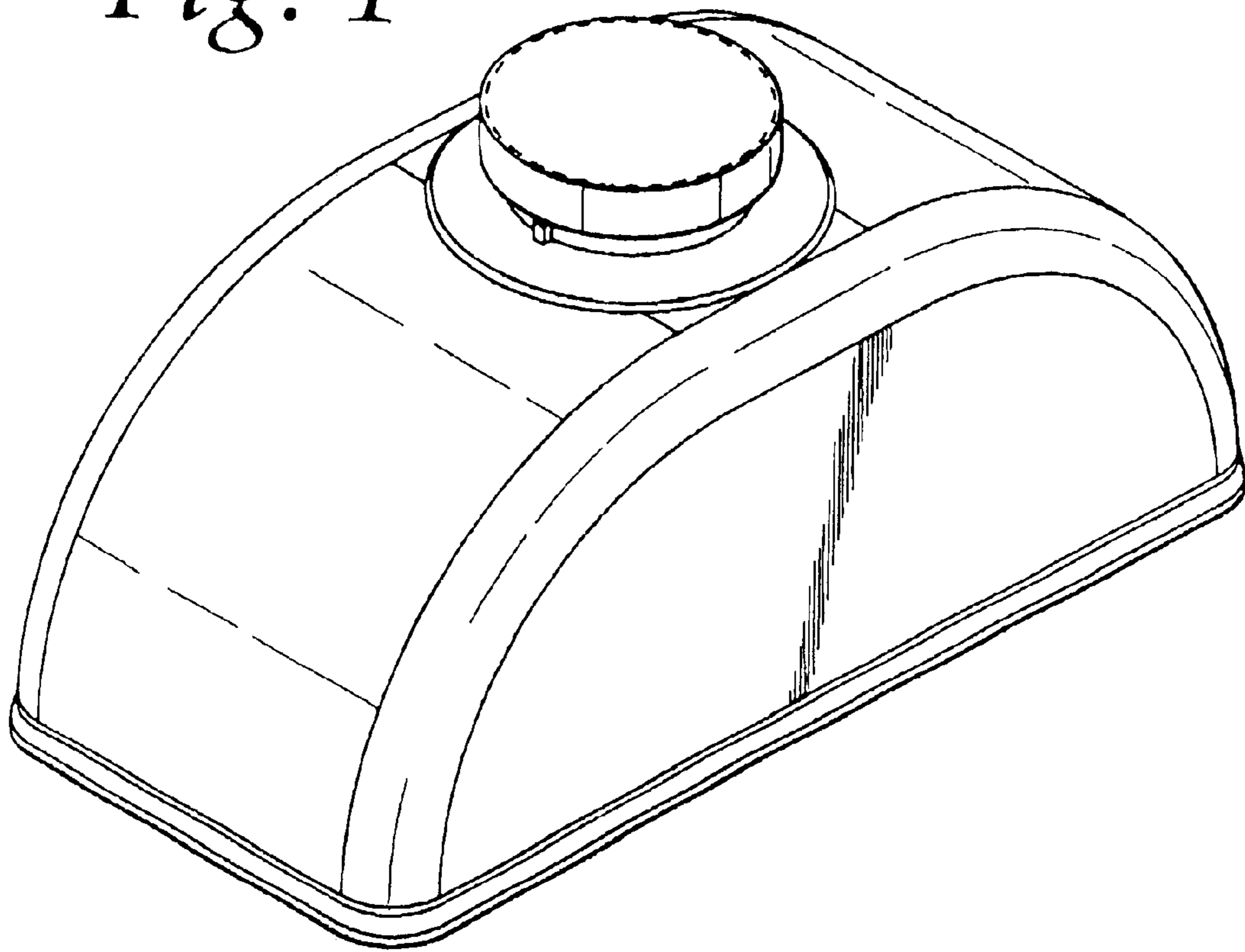


Fig. 2

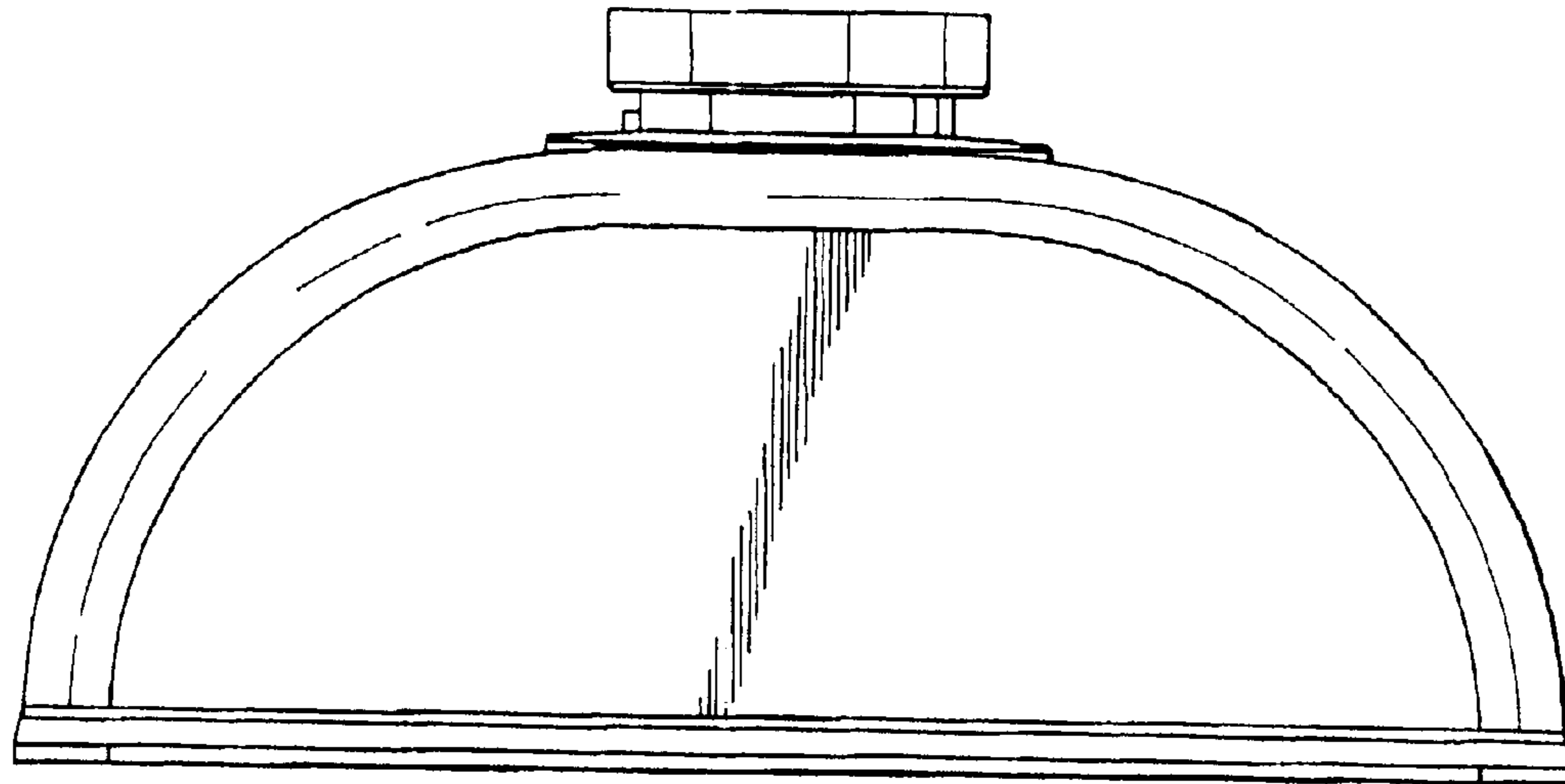


Fig. 3

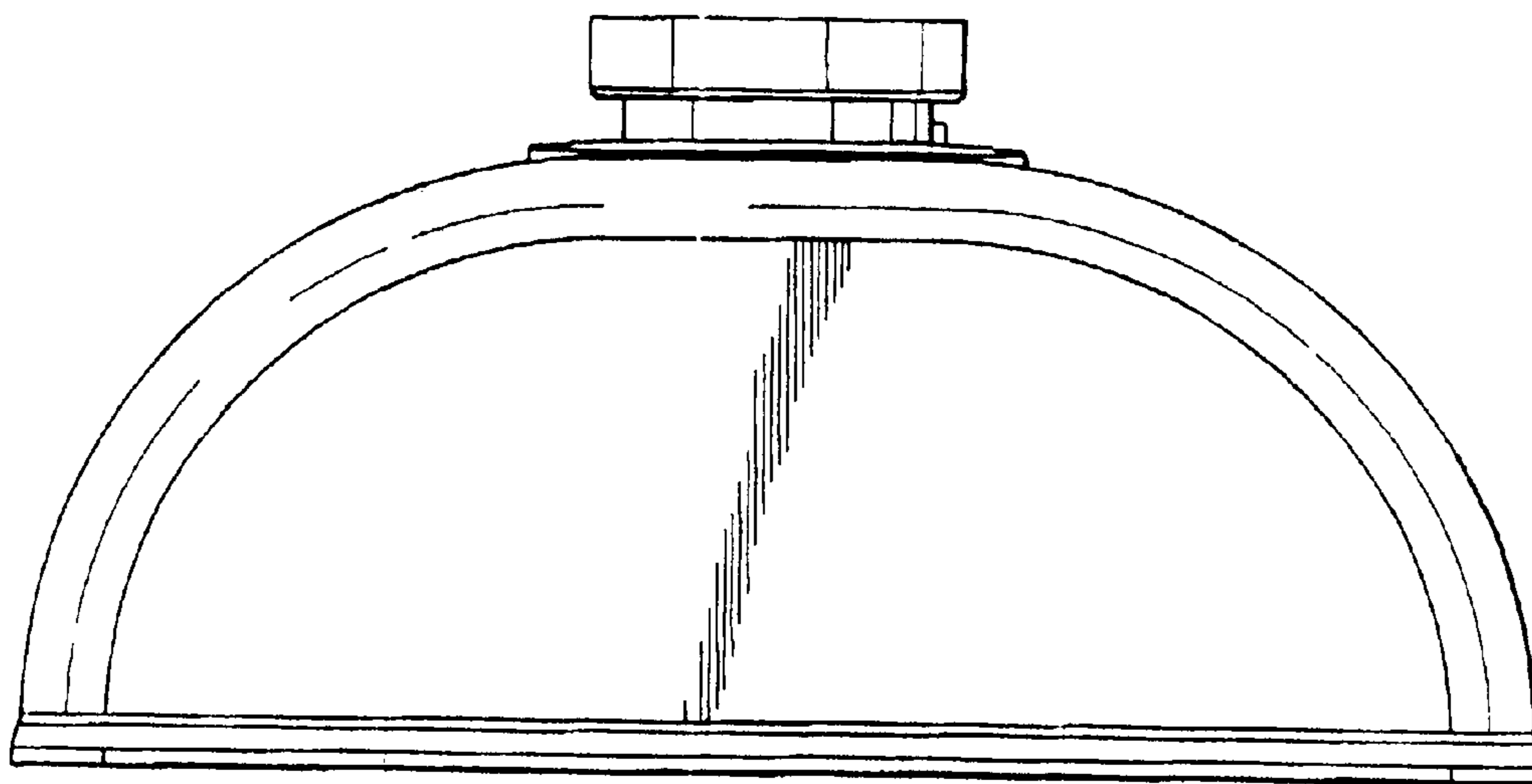


Fig. 4

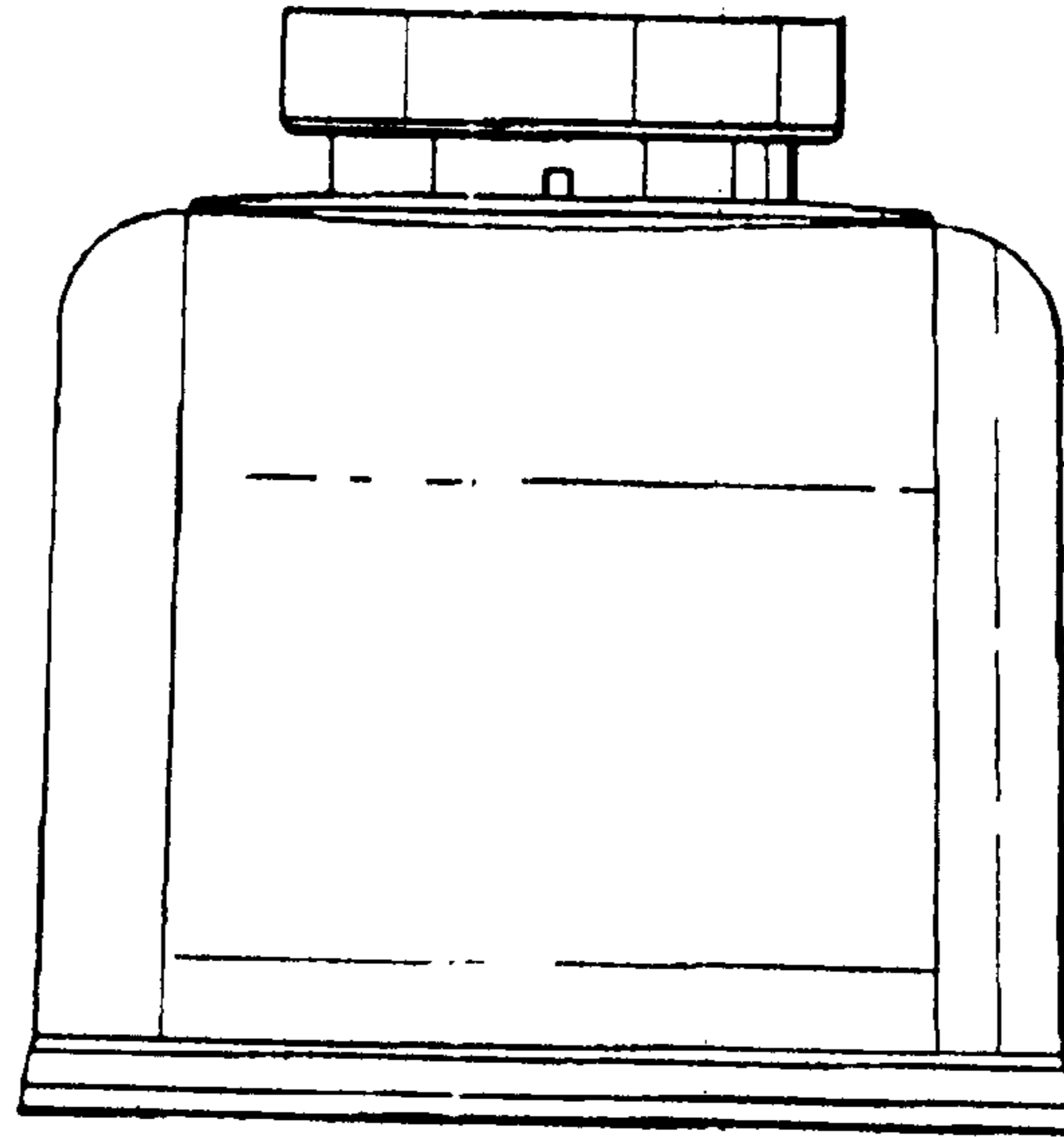


Fig. 5

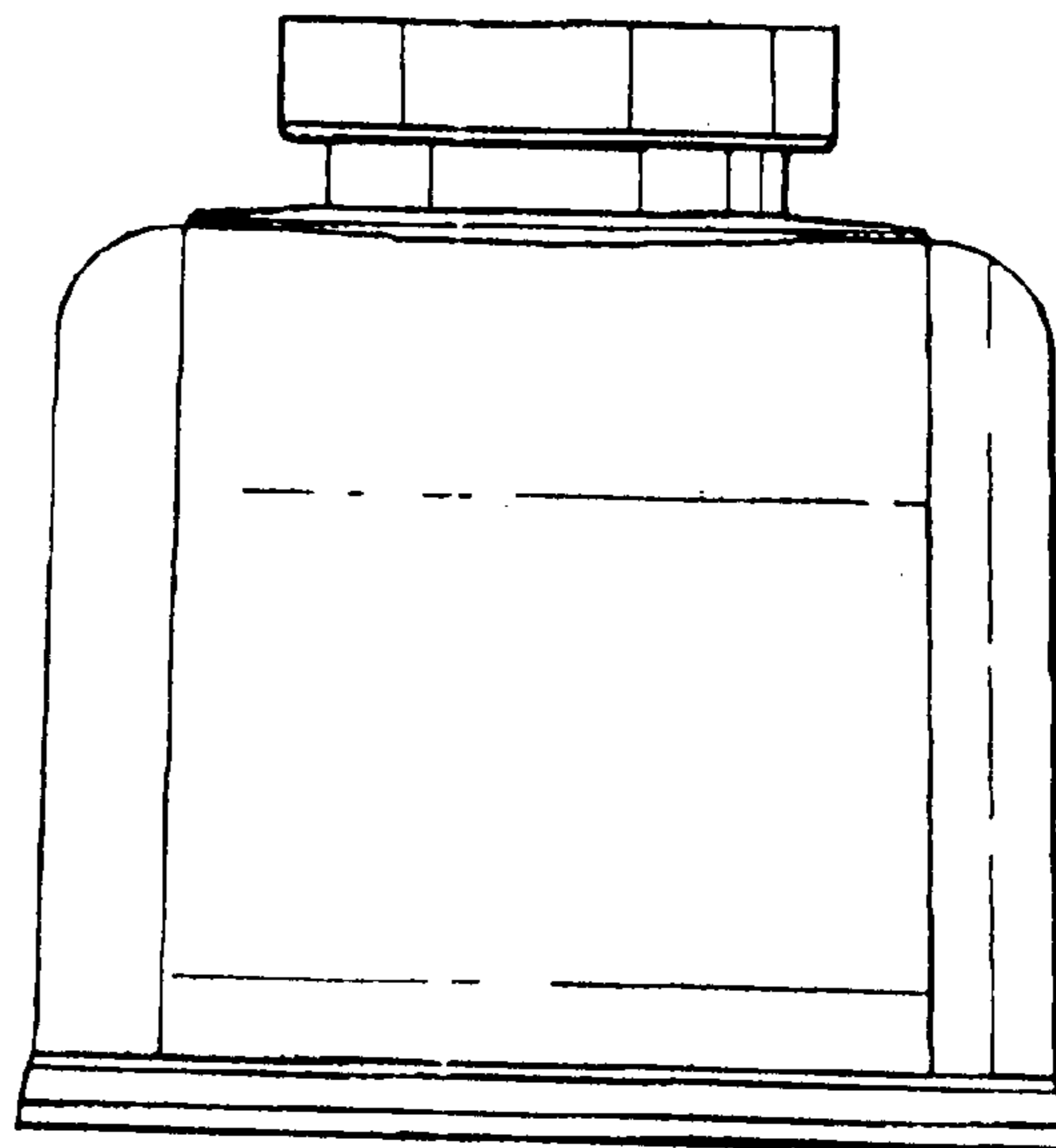


Fig. 6

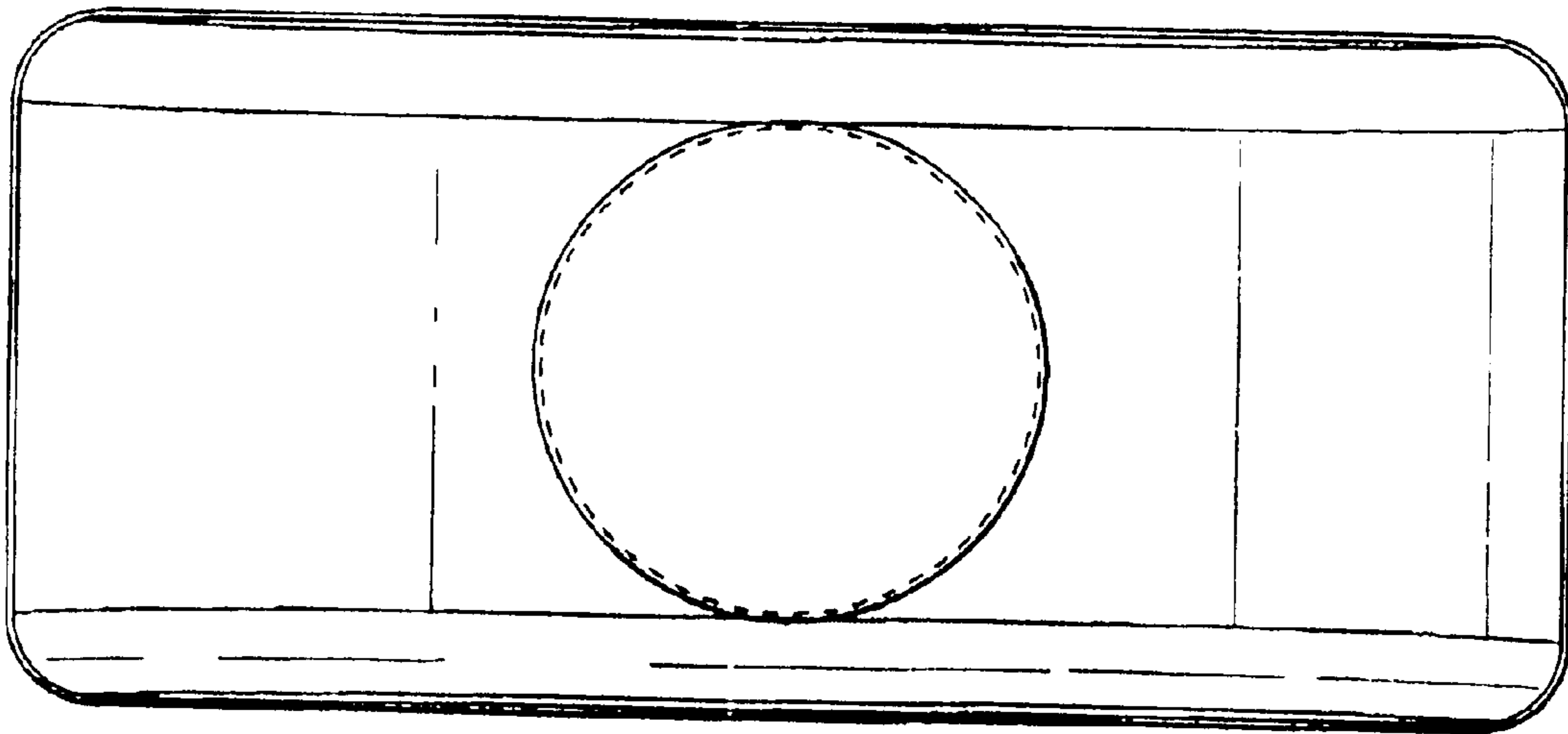


Fig. 7

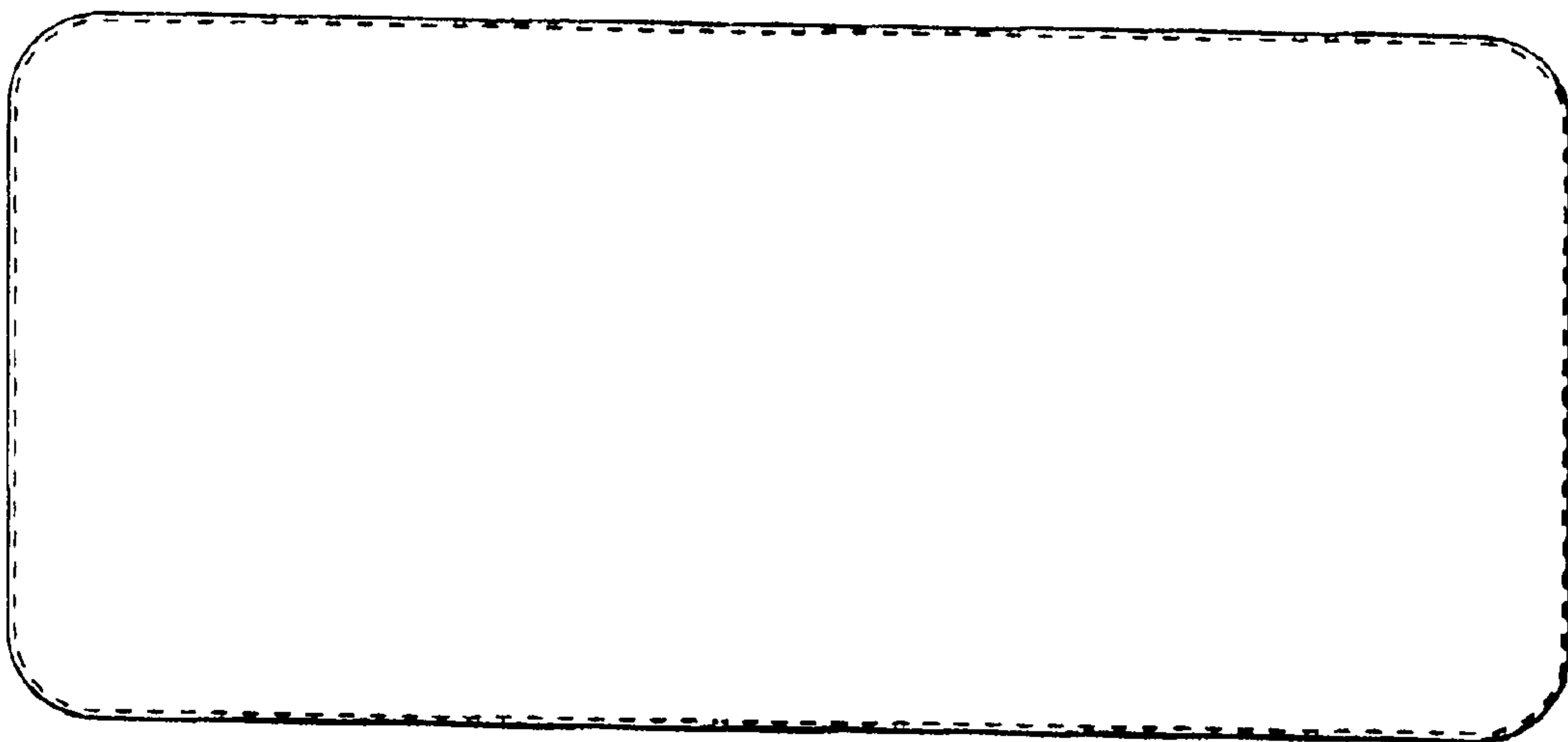


Fig. 8

