



US00D516928S

(12) **United States Design Patent**  
**Choi et al.**

(10) **Patent No.:** **US D516,928 S**  
(45) **Date of Patent:** **\*\* Mar. 14, 2006**

(54) **SCALE**

D411,472 S \* 6/1999 Au ..... D10/92  
D498,692 S \* 11/2004 Vuckovic et al. .... D10/92

(75) Inventors: **Charles Y. Choi**, Chicago, IL (US);  
**Jason P. Grochowski**, Crown Point, IN  
(US); **James G. Montagnino**, St.  
Charles, IL (US)

\* cited by examiner

*Primary Examiner*—Antoine D. Davis  
(74) *Attorney, Agent, or Firm*—McDermott Will & Emery  
LLP

(73) Assignee: **Tanita Corporation**, Tokyo (JP)

(57) **CLAIM**

(\*\*) Term: **14 Years**

The ornamental design for scale, as shown and described.

(21) Appl. No.: **29/220,204**

**DESCRIPTION**

(22) Filed: **Dec. 29, 2004**

(51) **LOC (8) Cl.** ..... **10-04**

(52) **U.S. Cl.** ..... **D10/92**

(58) **Field of Classification Search** ..... D10/92;  
177/238–241, 25.13, 25.16, 126, 127; 600/506,  
600/547

See application file for complete search history.

FIG. 1 is a front perspective view of the scale showing the  
new design;  
FIG. 2 is a top view of the scale;  
FIG. 3 is a bottom view of the scale;  
FIG. 4 is a side view of the scale;  
FIG. 5 is another side view of the scale;  
FIG. 6 is a rear view of the scale; and,  
FIG. 7 is a front view of the scale.

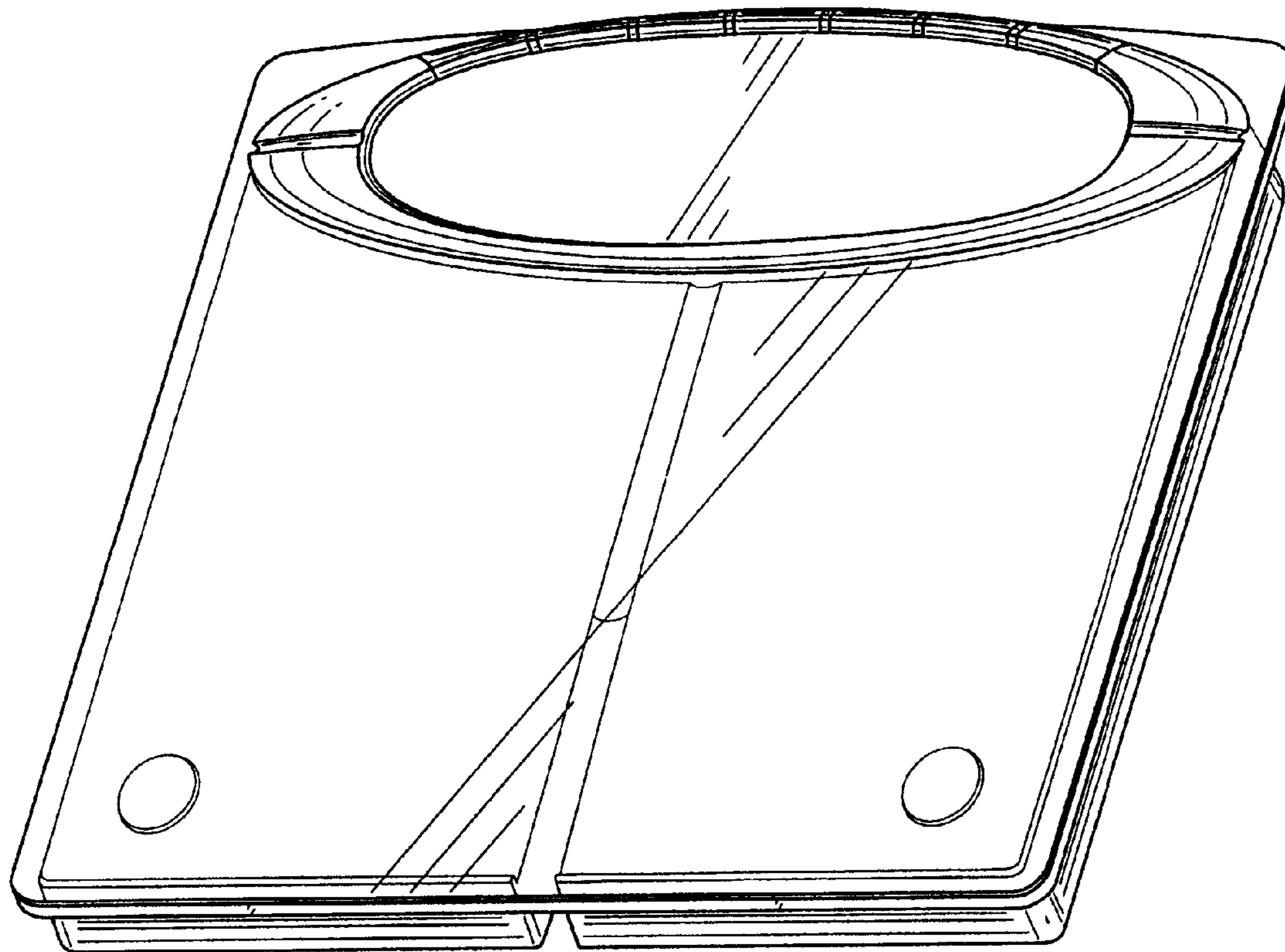
The broken line showing is for illustrative purposes only and  
forms no part of the claimed design.

(56) **References Cited**

**U.S. PATENT DOCUMENTS**

D193,024 S \* 6/1962 Aleks ..... D10/92

**1 Claim, 4 Drawing Sheets**



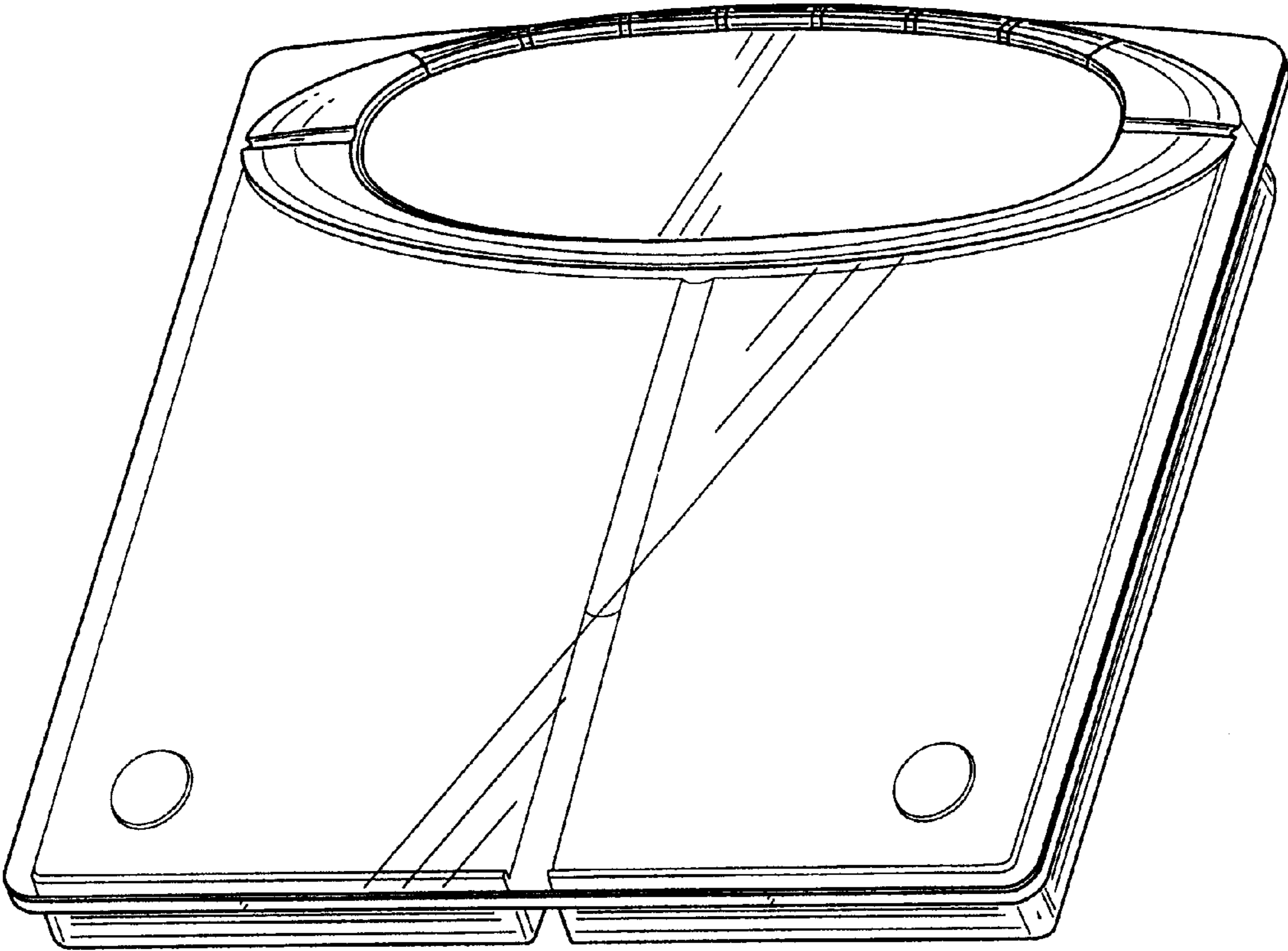


FIG. 1

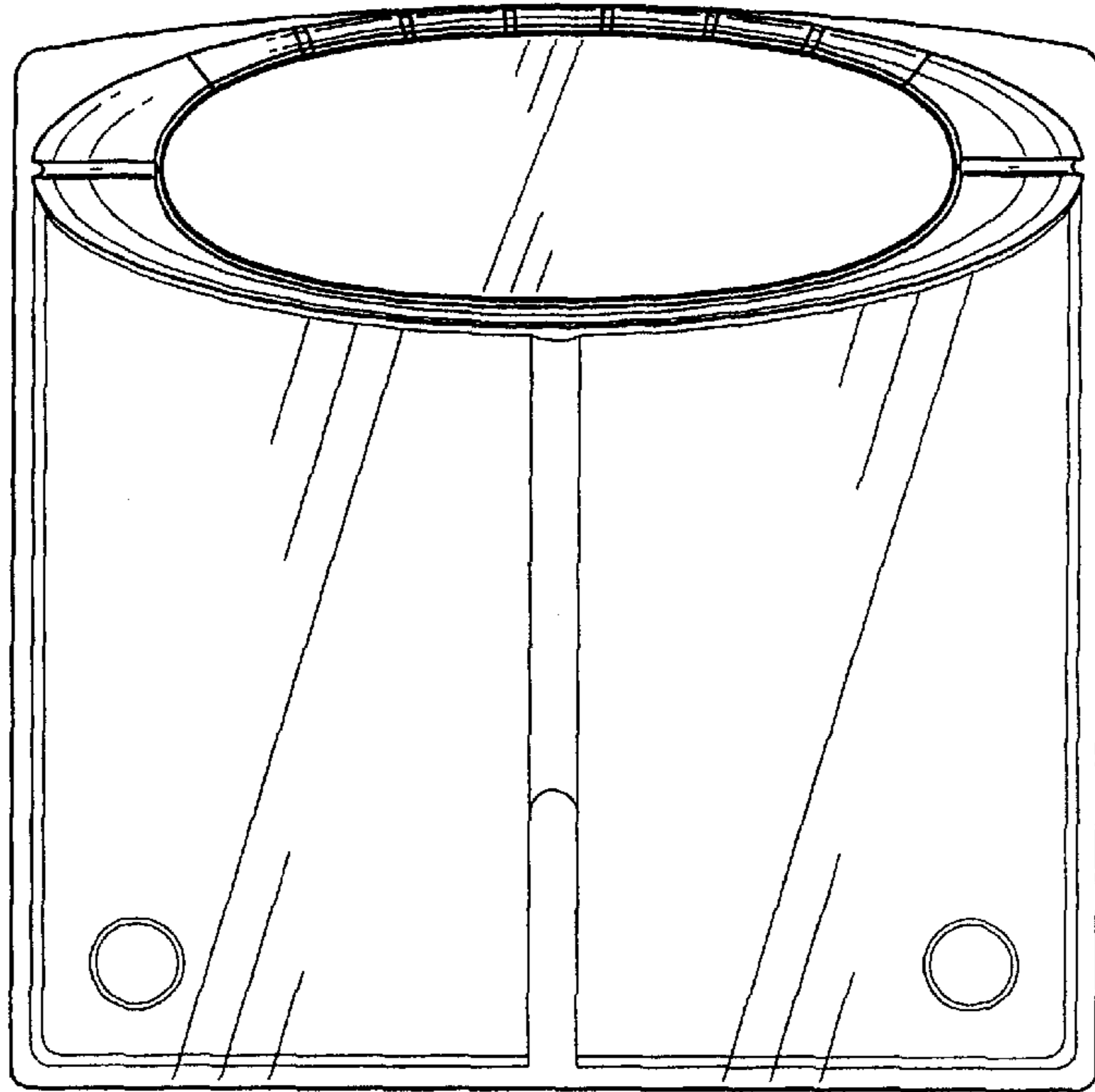


FIG. 2

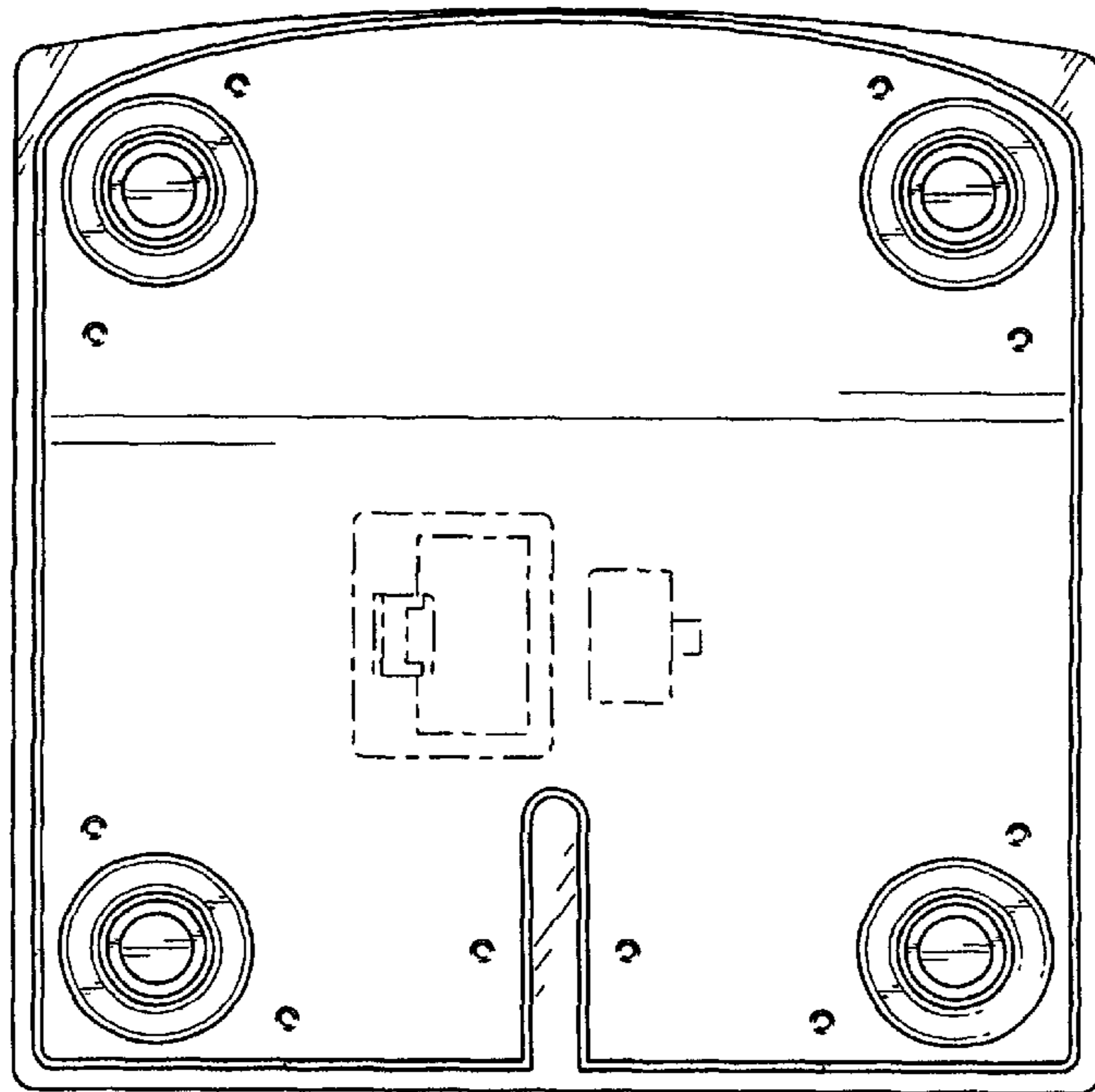


FIG. 3

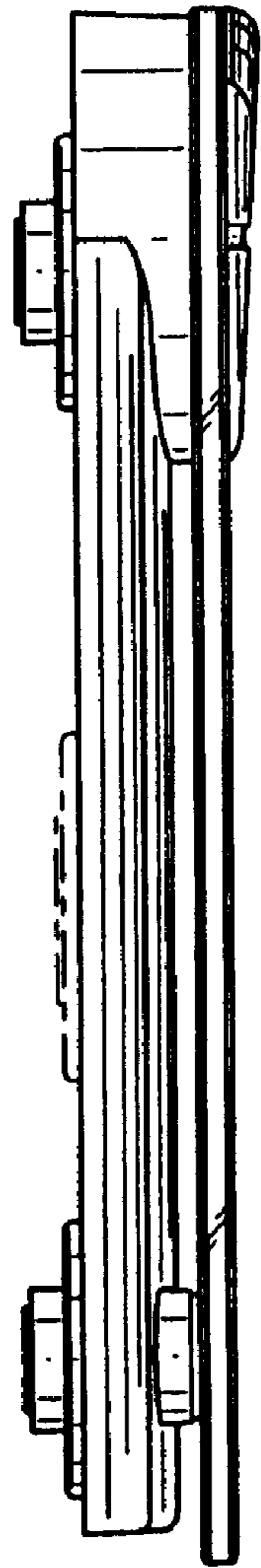


FIG. 4

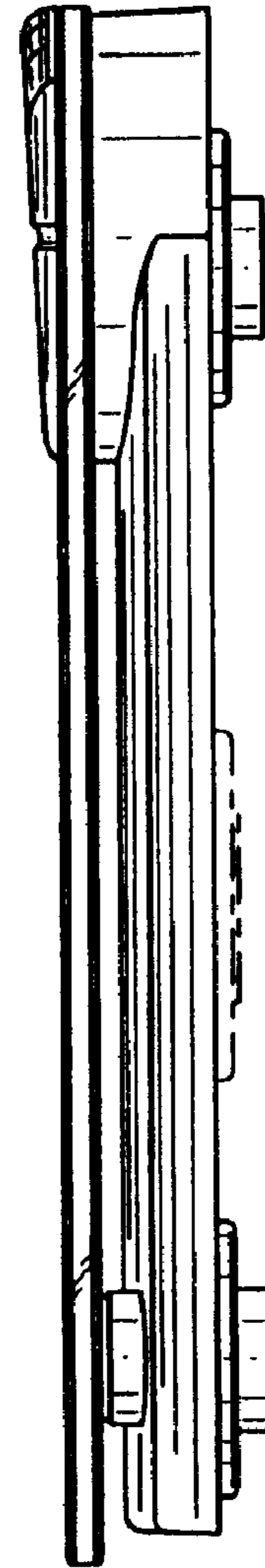


FIG. 5

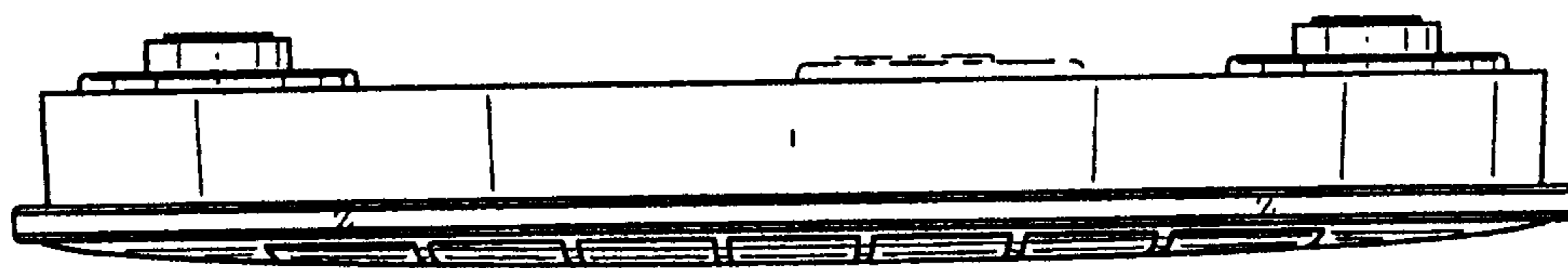


FIG. 6

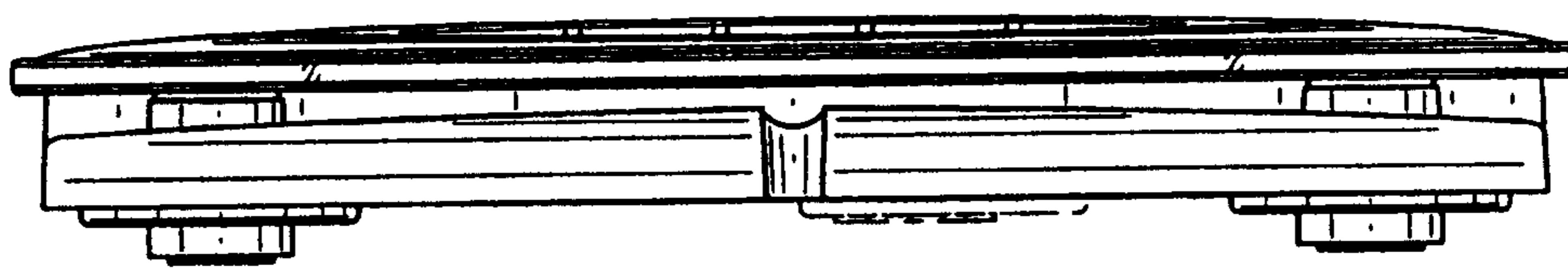


FIG. 7