



US00D516927S

(12) **United States Design Patent**
Cooper et al.

(10) **Patent No.:** **US D516,927 S**
(45) **Date of Patent:** **** Mar. 14, 2006**

(54) **COMPRESSOR TEST KIT**

(75) Inventors: **Ian Cooper**, Gloucestershire (GB);
Leslie Howard Davis, Gloucestershire
(GB); **Peter Gray Sedgwick**,
Gloucestershire (GB)

(73) Assignee: **Ultra Electronics Limited** (GB)

(**) Term: **14 Years**

(21) Appl. No.: **29/200,424**

(22) Filed: **Feb. 27, 2004**

(51) **LOC (8) Cl.** **10-04**

(52) **U.S. Cl.** **D10/83**

(58) **Field of Classification Search** D10/83-85;
73/37, 146.8; 141/38, 95, 192, 197, 313;
200/61.62; 417/411, 234

See application file for complete search history.

(56) **References Cited**

U.S. PATENT DOCUMENTS

4,375,162 A * 3/1983 Eppley 73/37

4,830,579 A * 5/1989 Cheng 417/234
6,378,356 B1 * 4/2002 Ruiz et al. 73/37
6,502,602 B1 * 1/2003 Stroup 138/44
6,705,360 B1 * 3/2004 Bonzer 141/38

* cited by examiner

Primary Examiner—Antoine D. Davis

(74) *Attorney, Agent, or Firm*—Lahive & Cockfield, LLP

(57) **CLAIM**

The ornamental design for a compressor test kit, as shown and described.

DESCRIPTION

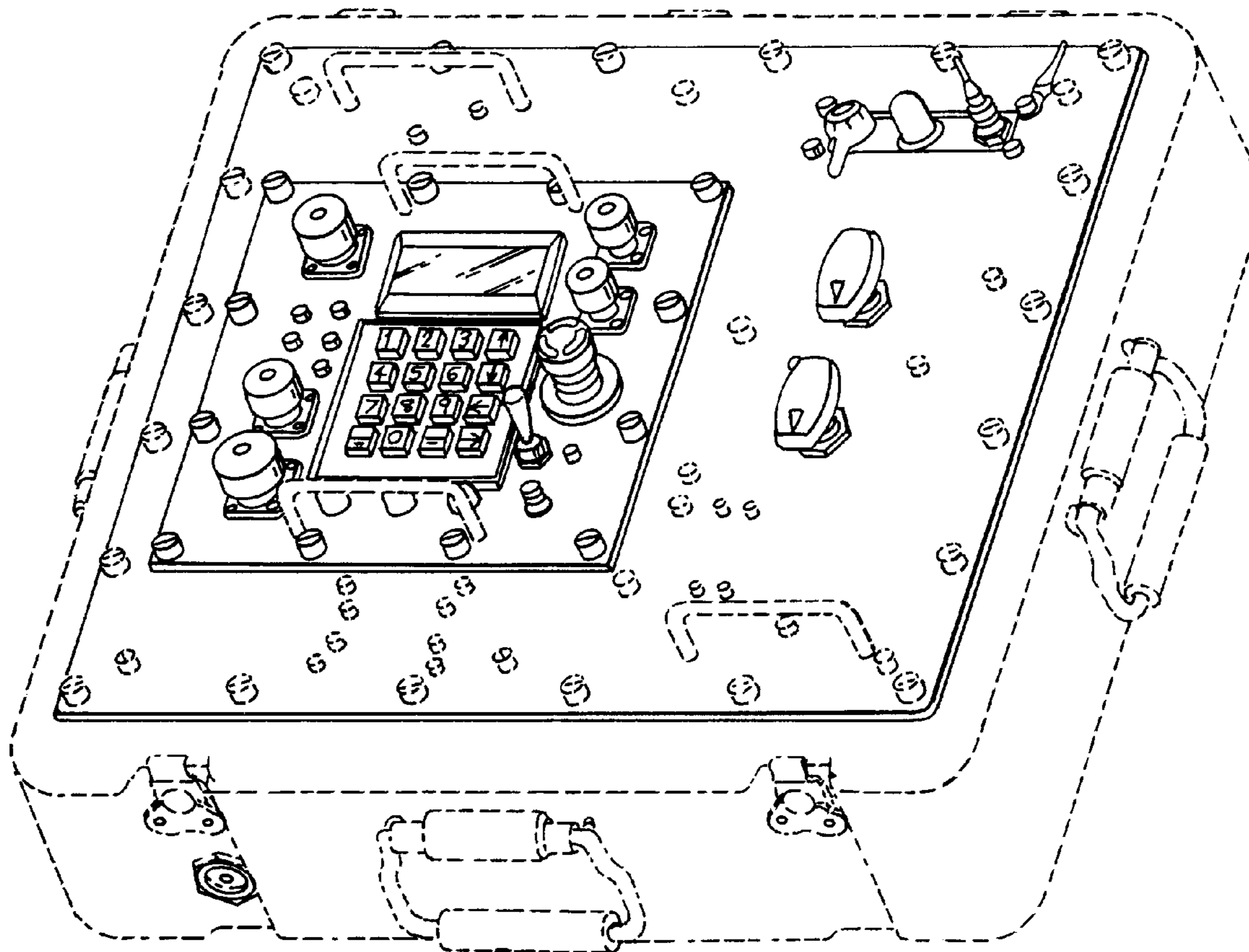
FIG. 1 is a top view of a compressor test kit. The broken lines form no part of the claimed design.

FIG. 2 is a front view of a compressor test kit. The broken lines form no part of the claimed design.

FIG. 3 is a side view of a compressor test kit. The broken lines form no part of the claimed design; and,

FIG. 4 is a perspective view of a compressor test kit. The broken lines form no part of the claimed design.

1 Claim, 4 Drawing Sheets



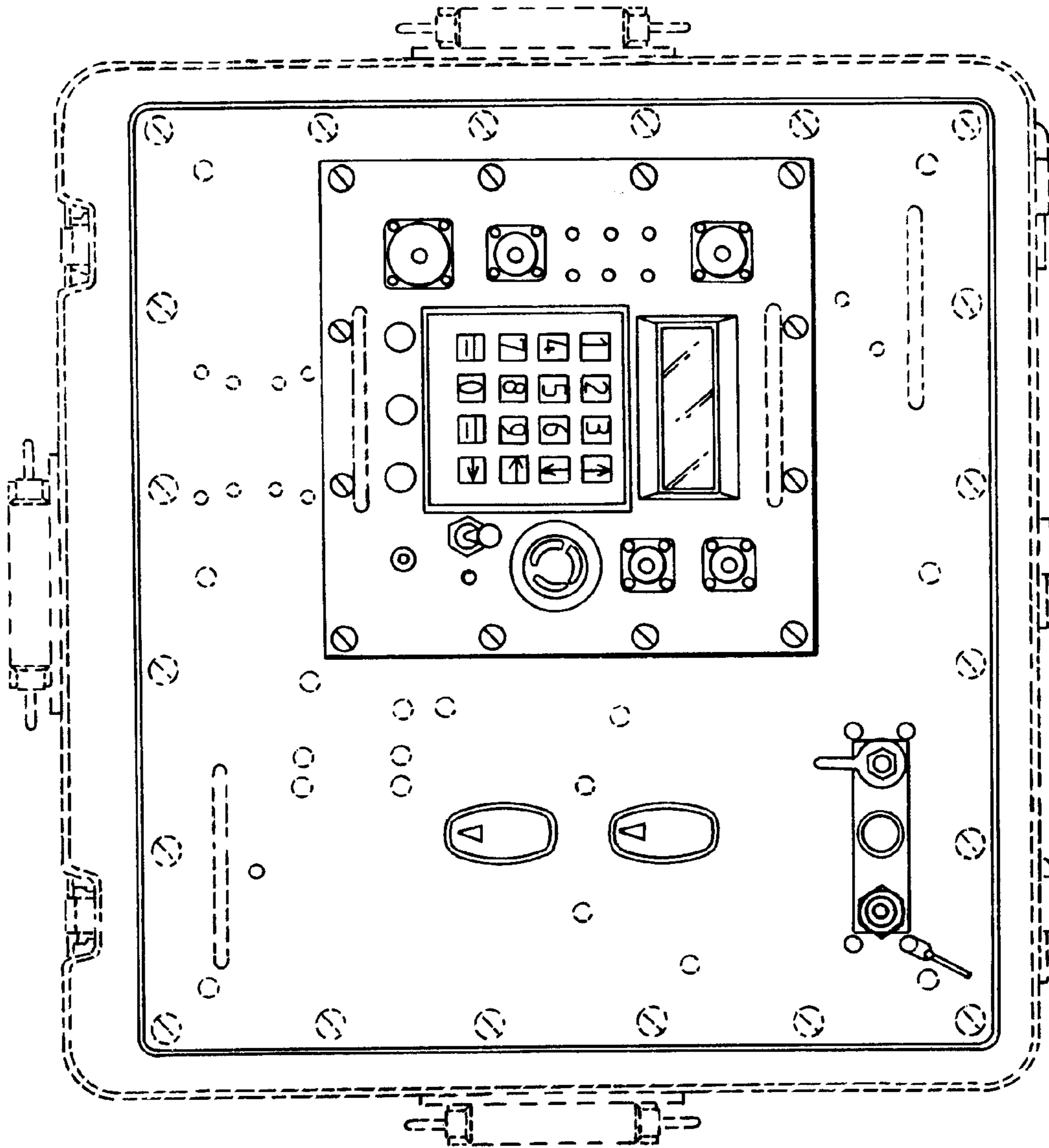


Fig. 1

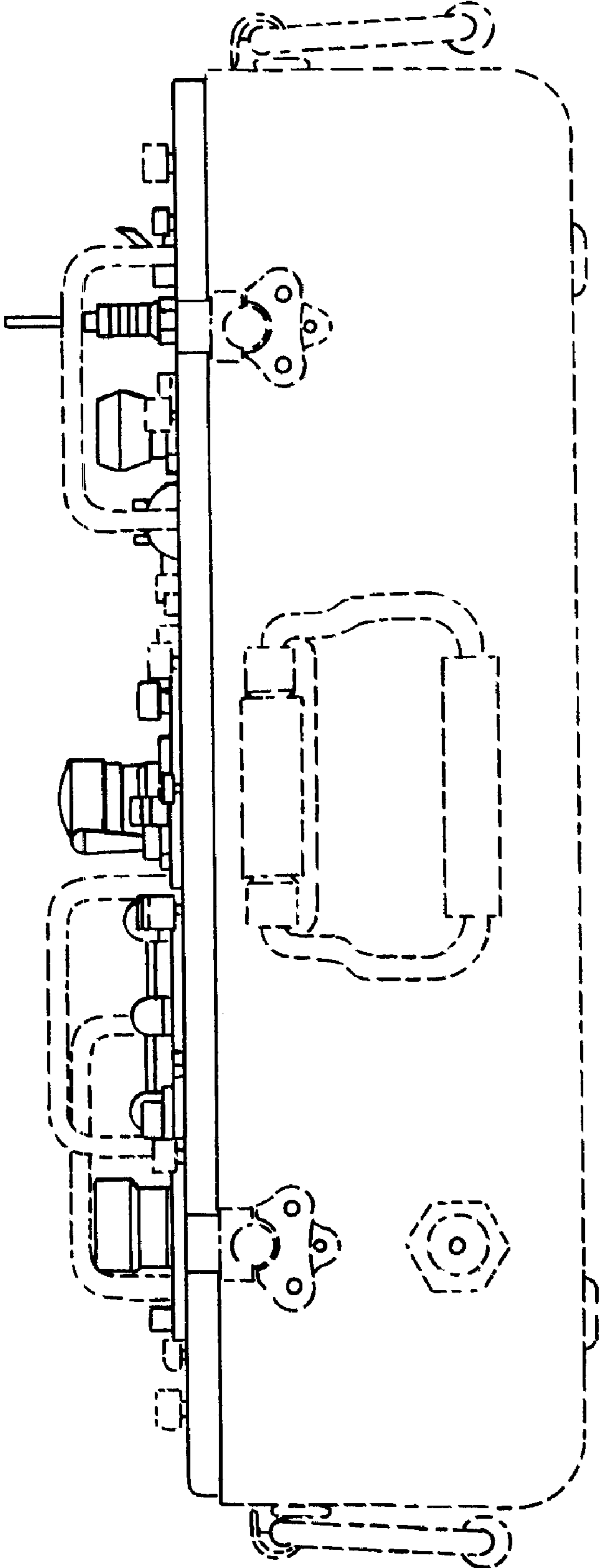


Fig. 2

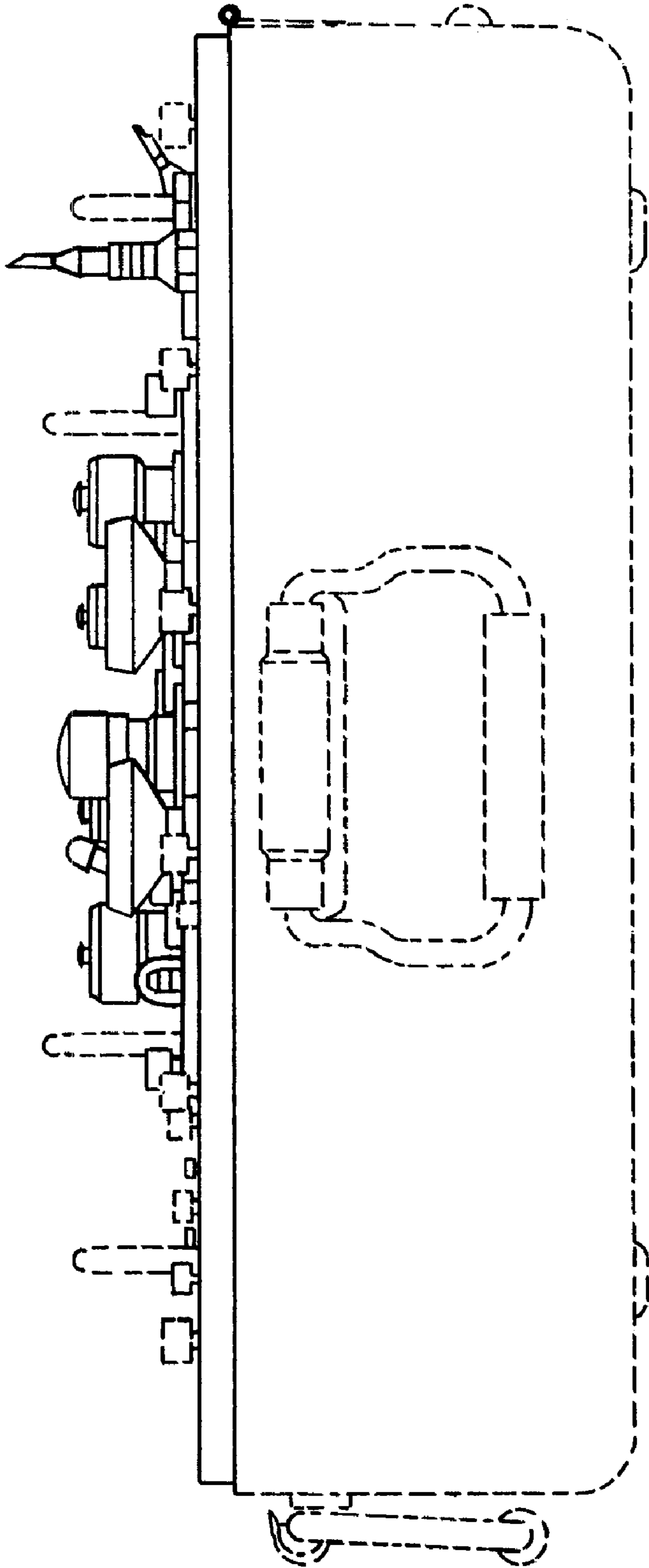


Fig. 3

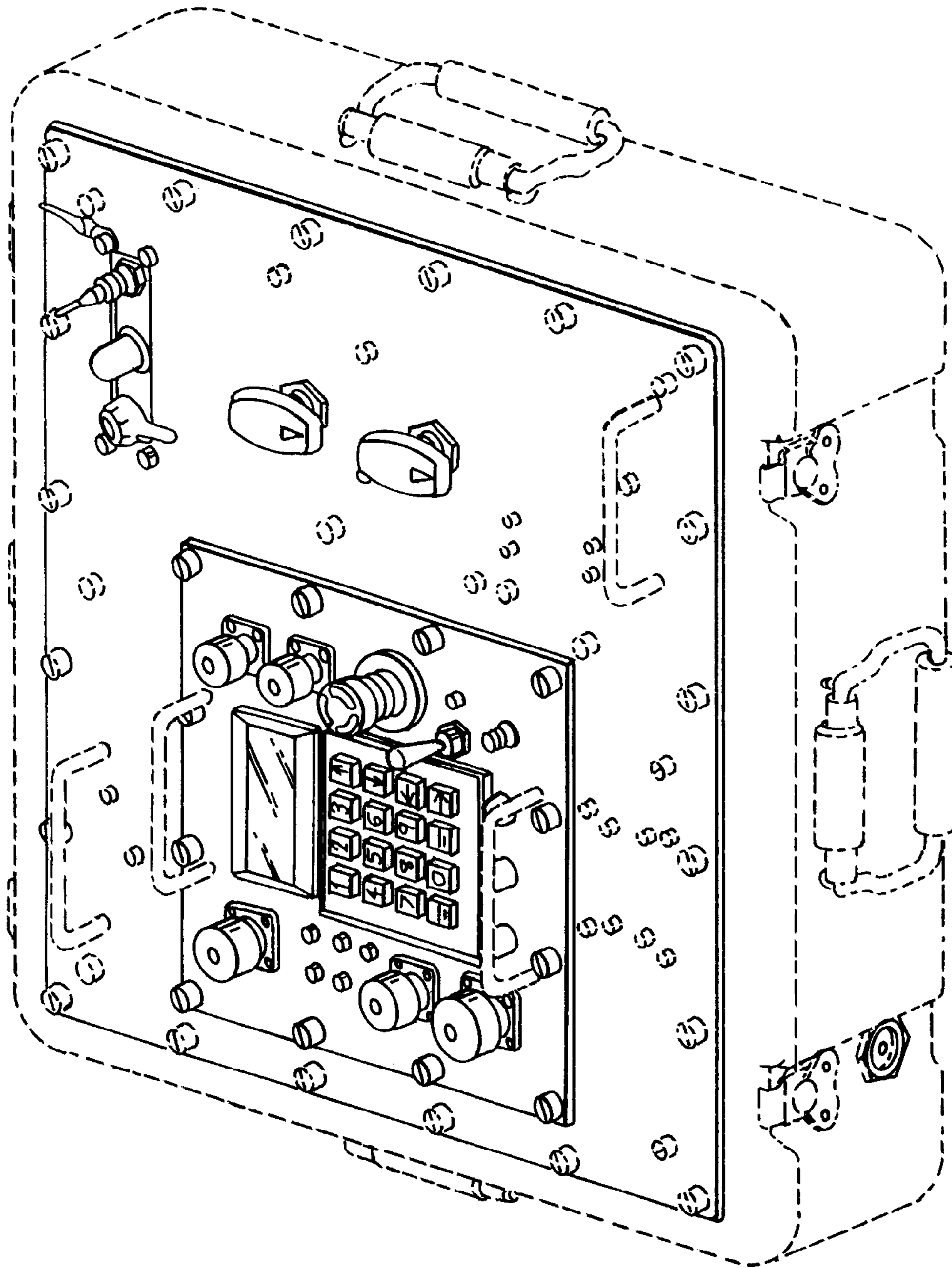


Fig. 4