



US00D516926S

(12) **United States Design Patent**  
**Roher et al.**

(10) **Patent No.:** **US D516,926 S**  
(45) **Date of Patent:** **\*\* Mar. 14, 2006**

(54) **CONTROL DEVICE**

D498,684 S \* 11/2004 Friedman ..... D10/50  
D498,685 S \* 11/2004 Friedman ..... D10/50

(75) Inventors: **Michael Allen Roher**, Fort Wayne, IN (US); **Shu Kun Chang**, Evanston, IL (US); **Niels Clausen-Stuck**, Chicago, IL (US)

\* cited by examiner

*Primary Examiner*—Antoine D. Davis

(73) Assignee: **Carrier Corporation**, Farmington, CT (US)

(57) **CLAIM**

The ornamental design for a control device, as shown and described.

(\*\*) Term: **14 Years**

**DESCRIPTION**

(21) Appl. No.: **29/200,439**

The present design is embodied in a control device for use in heating, ventilating and air conditioning systems.

(22) Filed: **Feb. 27, 2004**

FIG. 1 is a front elevational view of the control device; FIG. 2 is a top elevational view of the control device; FIG. 3 is a bottom elevational view of the control device; FIG. 4 is a left side elevational view of the control device; FIG. 5 is a right side elevational view of the control device; FIG. 6 is a front elevational view of the control device when a front cover is rotated about a hinge to reveal an interior control panel;

(51) **LOC (8) Cl.** ..... **10-04**

(52) **U.S. Cl.** ..... **D10/50**

(58) **Field of Classification Search** ..... D10/50;  
236/46 R, 47, 49.3, 78 R, 94 D, 94, 1 C;  
337/345, 392, 398

See application file for complete search history.

FIG. 7 is a front elevational view of the control device shown in a condition of use;

FIG. 8 is a perspective view illustrating the front and right sides of the control device; and,

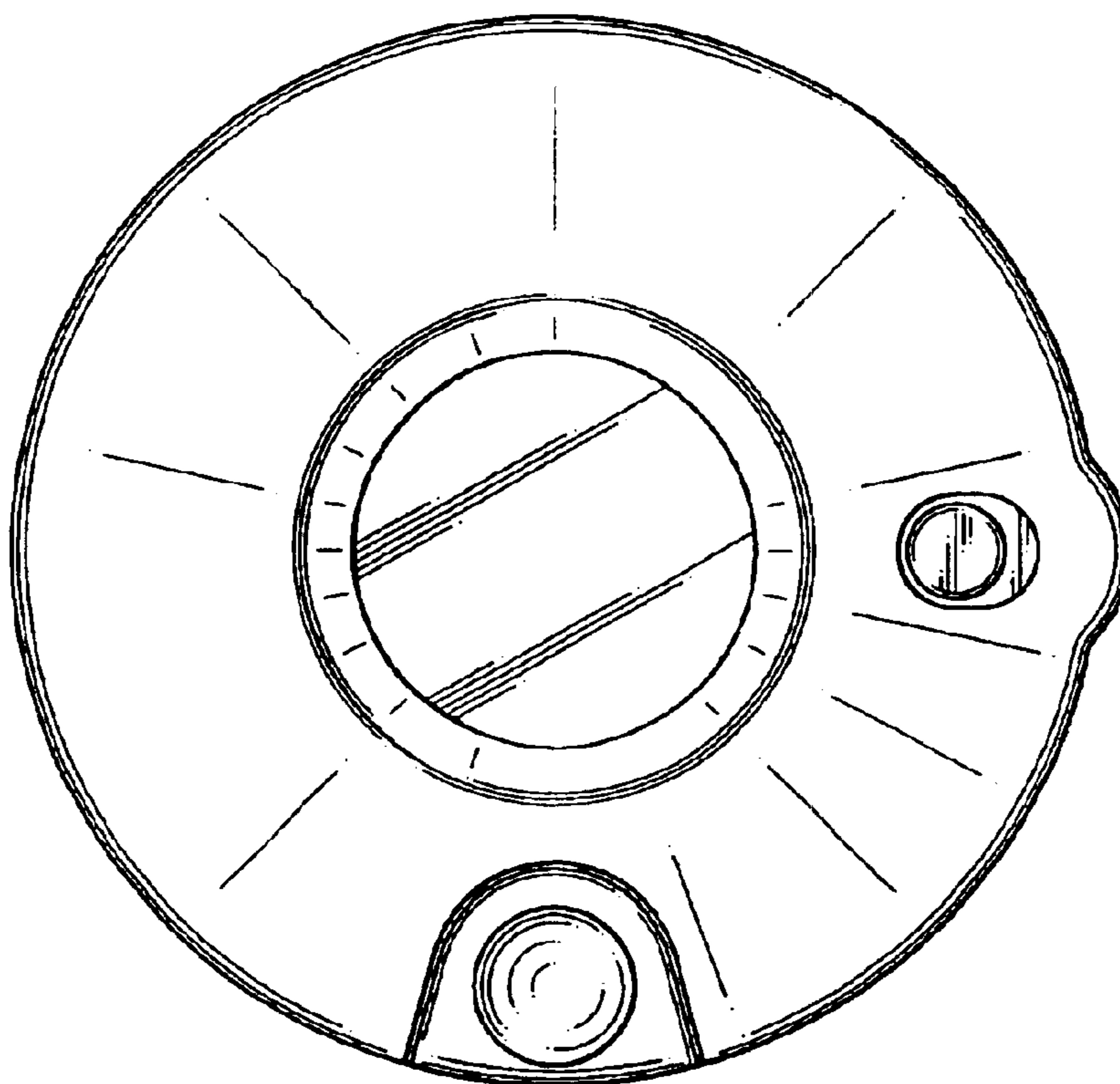
FIG. 9 is a front elevational view of the control device when a front cover is rotated about a hinge to reveal an interior control panel.

(56) **References Cited**

**U.S. PATENT DOCUMENTS**

D347,584 S \* 6/1994 Vogelpohl ..... D10/50  
D445,042 S \* 7/2001 Arpe ..... D10/50  
6,641,055 B1 \* 11/2003 Tiernan ..... 236/94

**1 Claim, 3 Drawing Sheets**



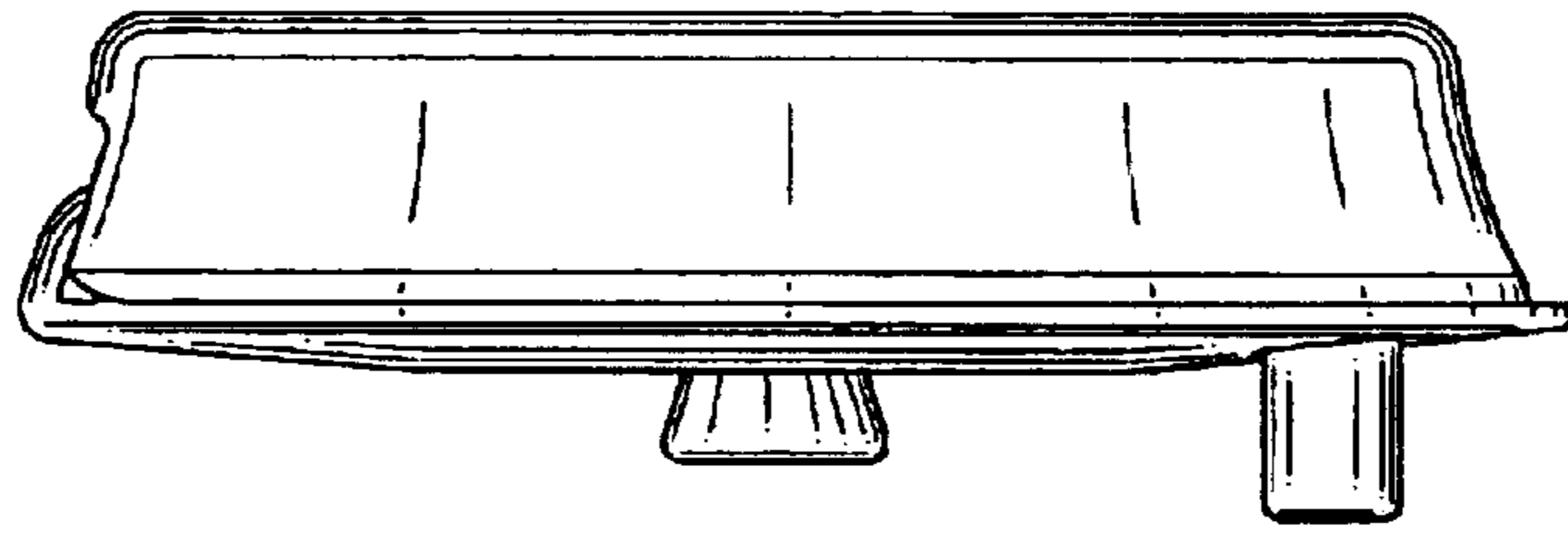


FIG. 2

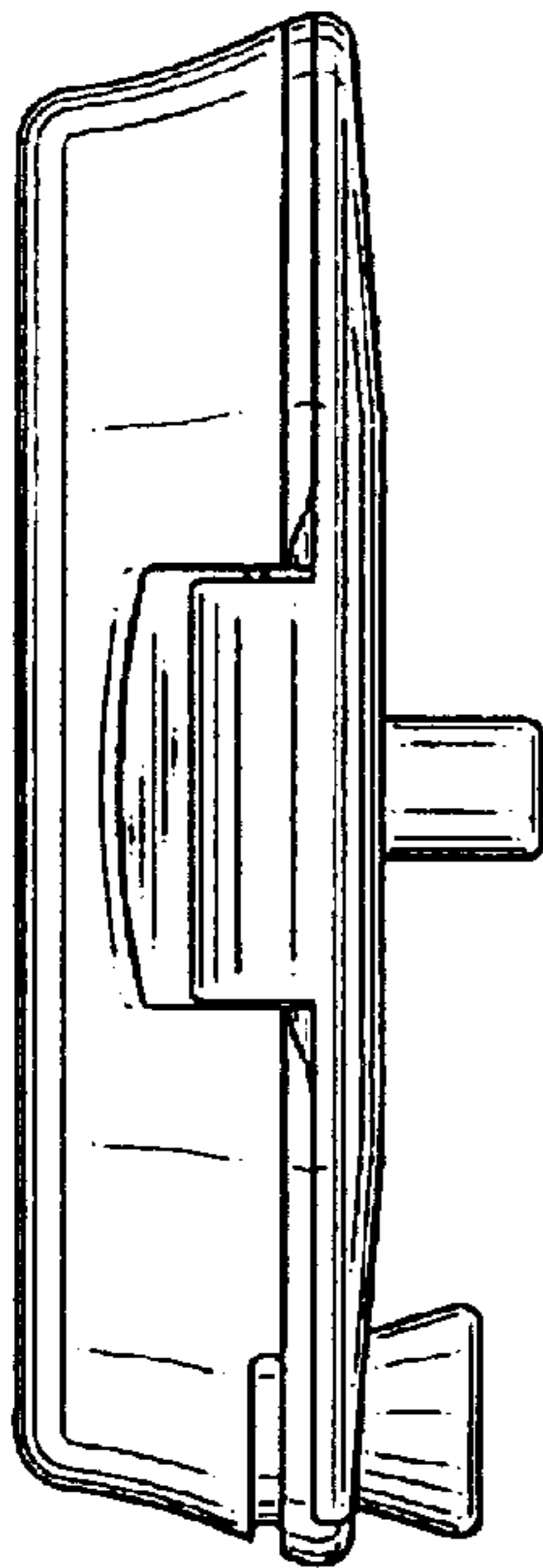


FIG. 4

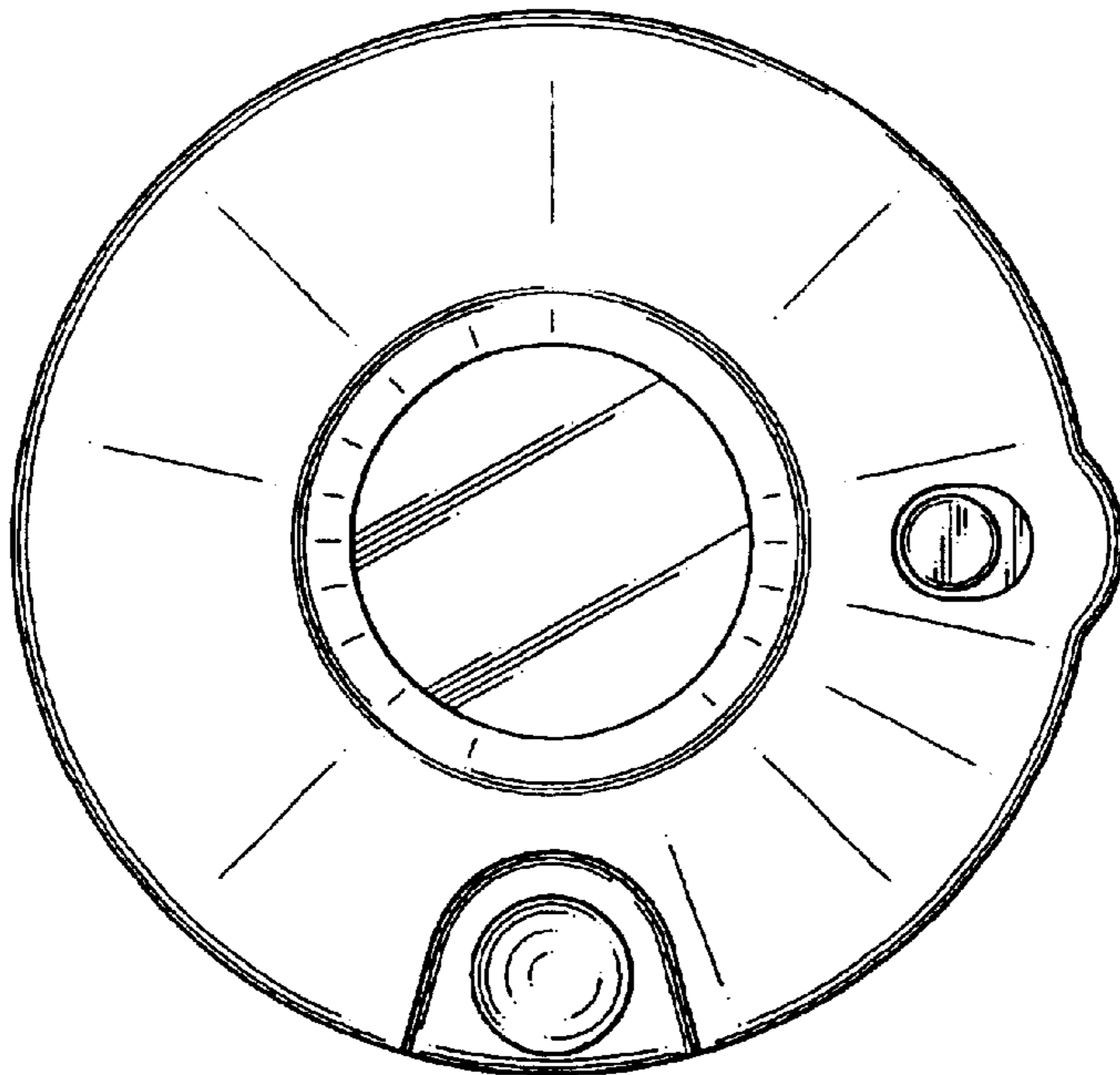


FIG. 1

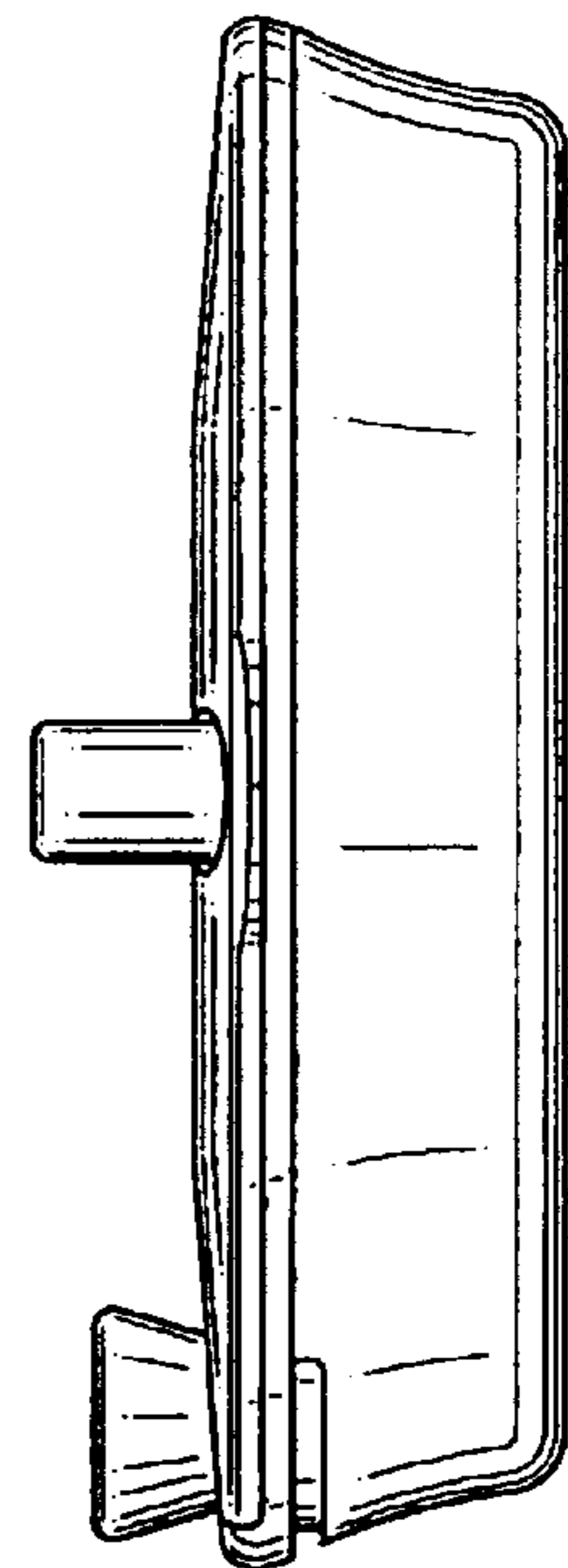


FIG. 5

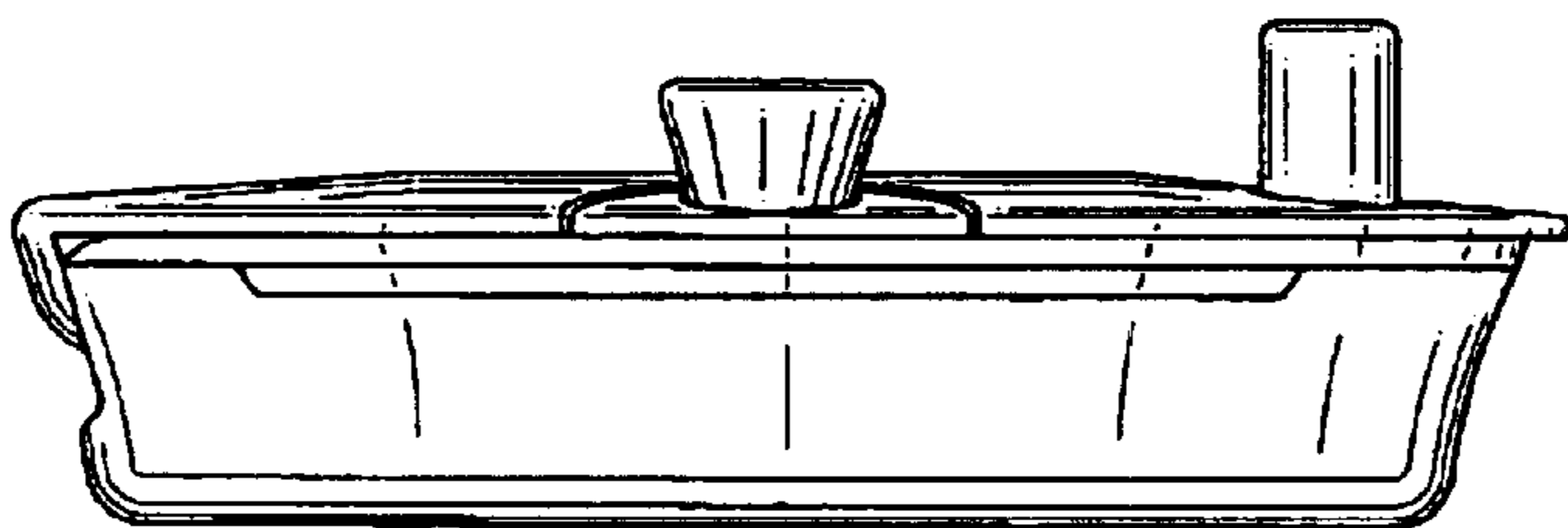


FIG. 3

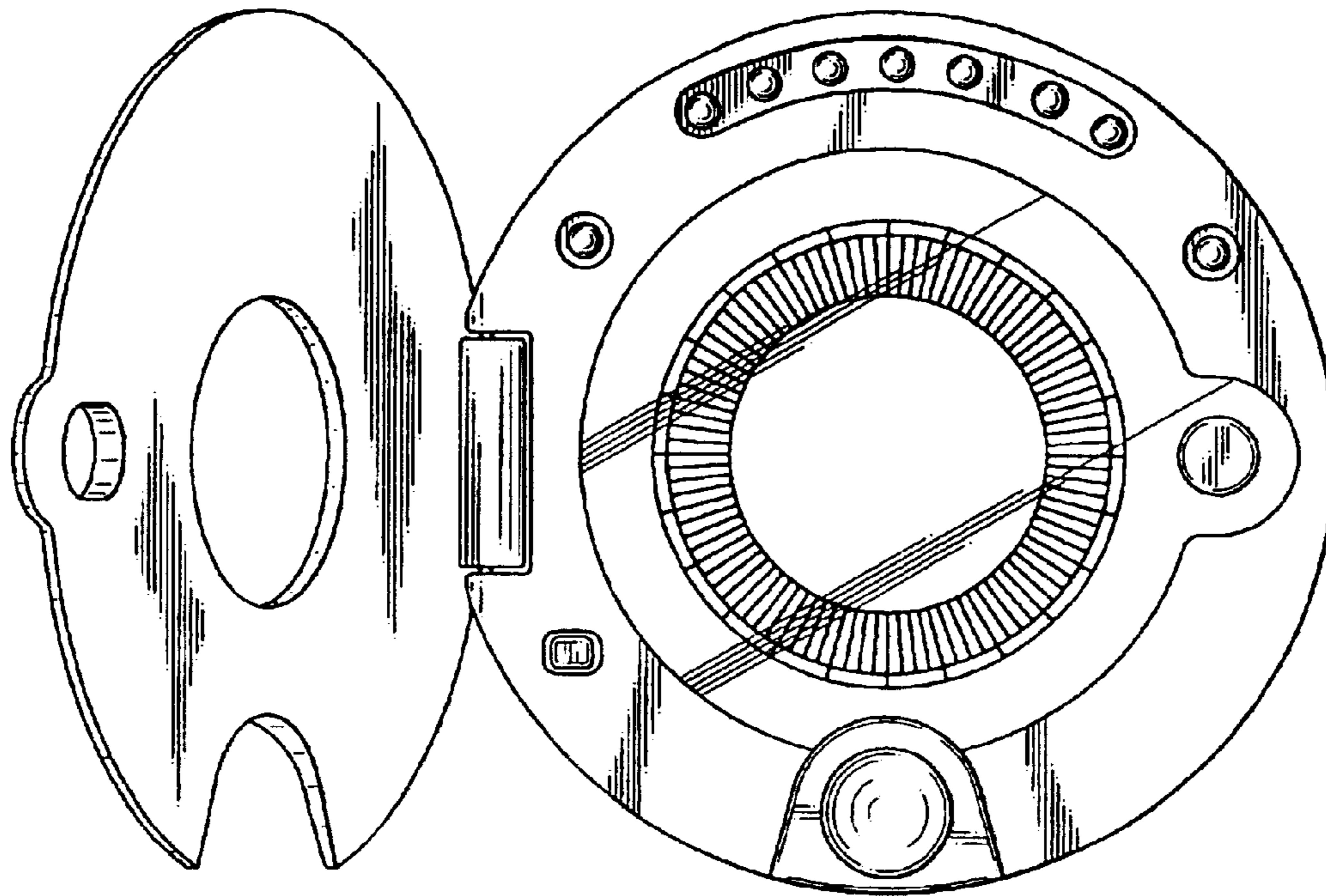


FIG.6

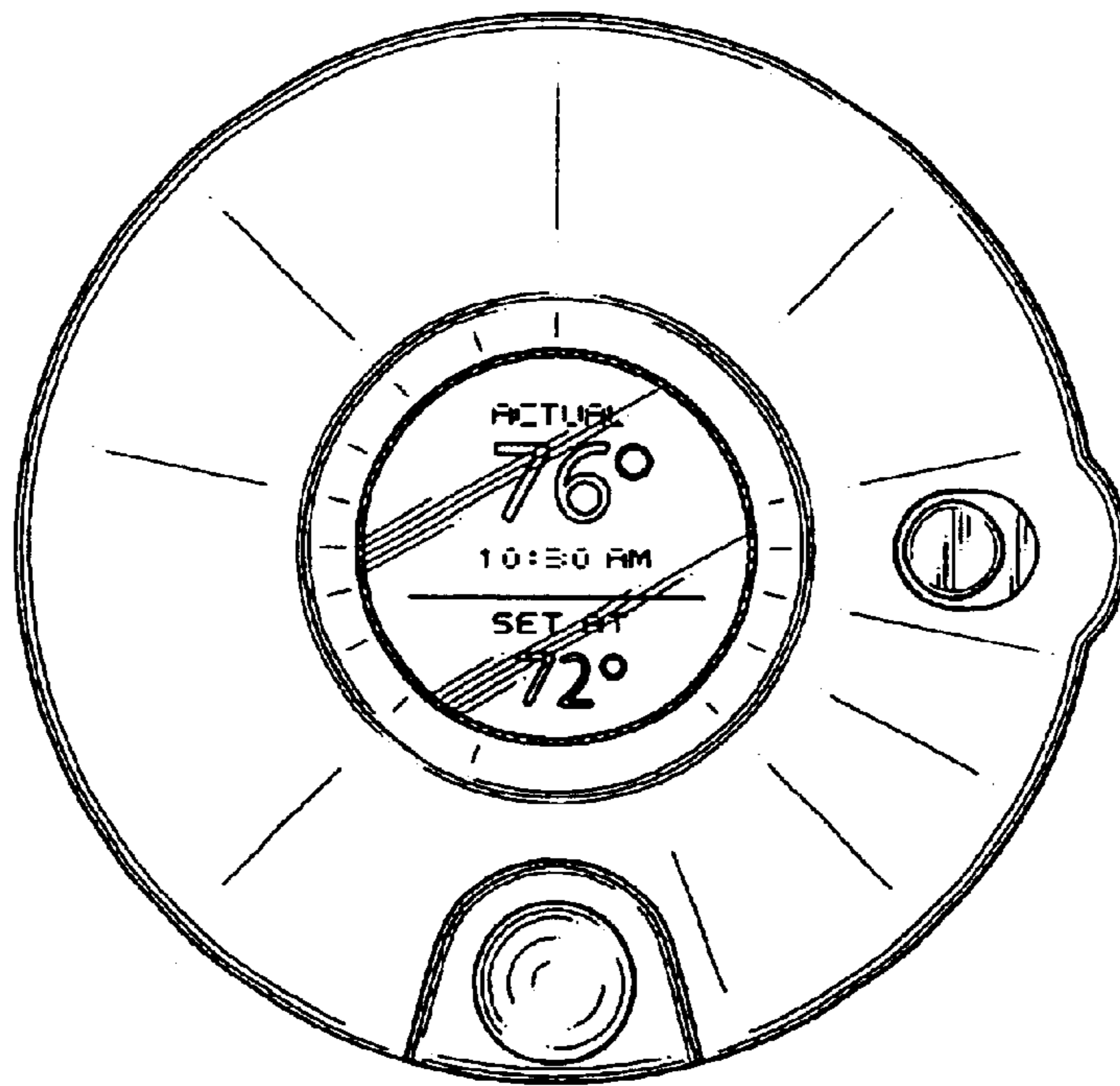


FIG.7

FIG.8

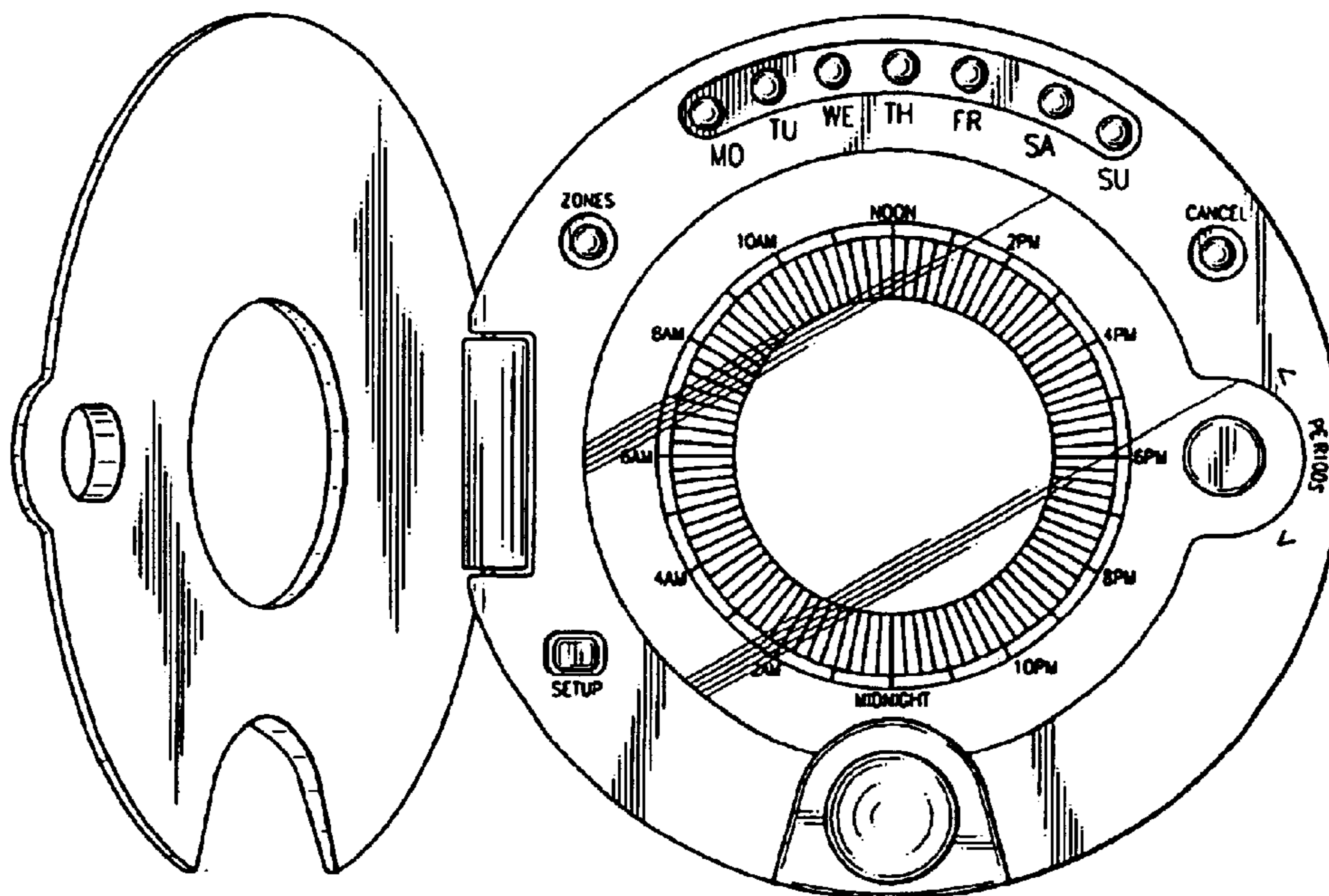
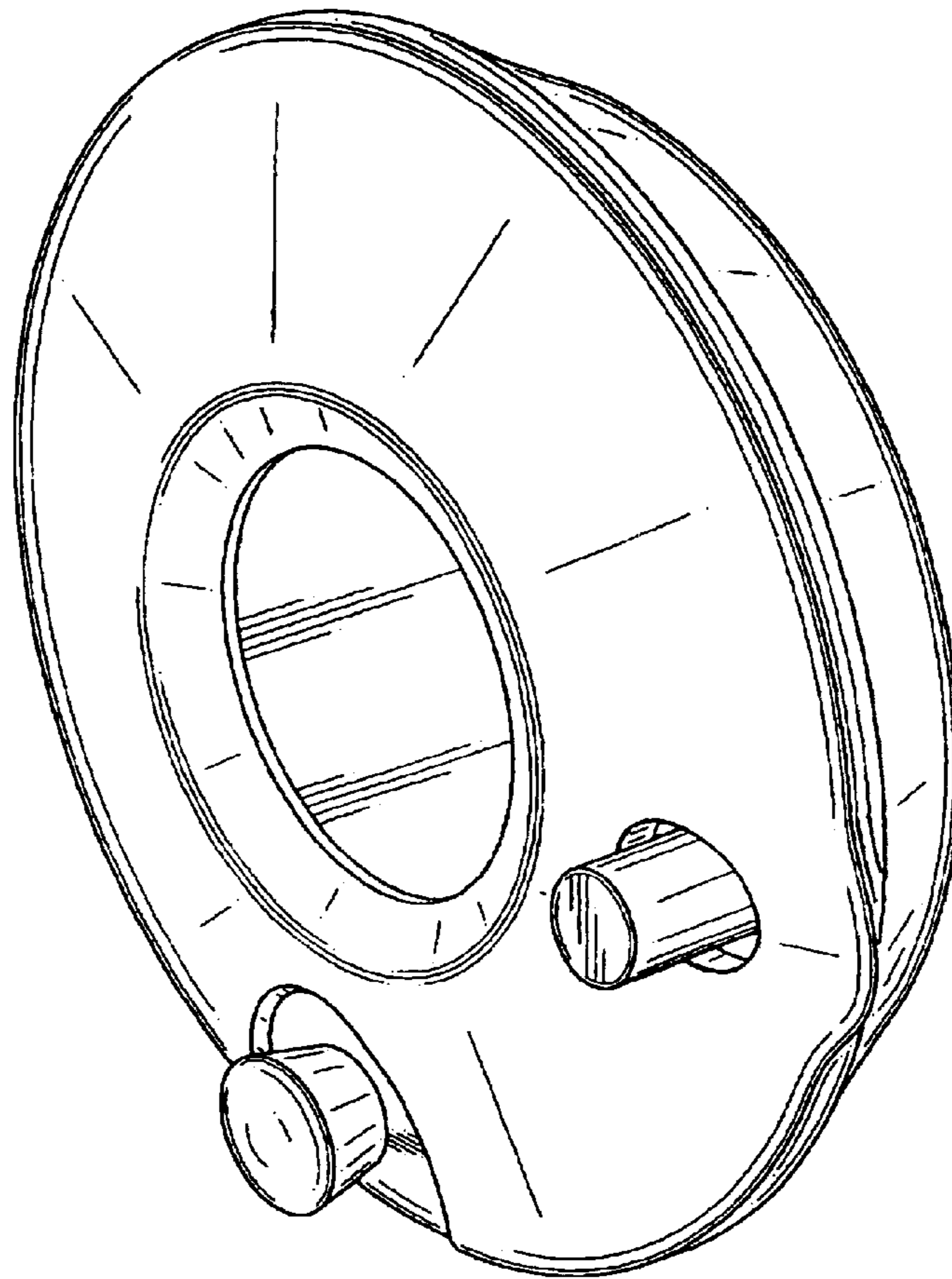


FIG.9