



US00D516925S

(12) **United States Design Patent**
Roher et al.

(10) **Patent No.:** **US D516,925 S**

(45) **Date of Patent:** **** Mar. 14, 2006**

(54) **CONTROL DEVICE**

D490,726 S * 6/2004 Eungprabhanth et al. D10/49
D496,870 S * 10/2004 Stekelenburg D10/50

(75) Inventors: **Michael Allen Roher**, Fort Wayne, IN (US); **James Barton Moore**, Avon, IN (US); **Shu Kun Chang**, Evanston, IL (US); **Niels Clausen-Stuck**, Chicago, IL (US)

* cited by examiner

Primary Examiner—Antoine D. Davis

(73) Assignee: **Carrier Corporation**, Farmington, CT (US)

(57) **CLAIM**

The ornamental design for a control device, as shown and described.

(**) Term: **14 Years**

DESCRIPTION

(21) Appl. No.: **29/200,429**

The present design is embodied in a control device for use in heating, ventilating and air conditioning systems.

(22) Filed: **Feb. 27, 2004**

FIG. 1 is a front elevational view of the control device;

(51) **LOC (8) Cl.** **10-04**

(52) **U.S. Cl.** **D10/50**

(58) **Field of Classification Search** D10/50;
236/46 R, 47, 49.3, 78 R, 94 D, 94, 1 C;
337/345, 392, 398

FIG. 2 is a top elevational view of the control device;

FIG. 3 is a bottom elevational view of the control device;

FIG. 4 is a left side elevational view of the control device;

FIG. 5 is a right side elevational view of the control device;

FIG. 6 is a front elevational view of the control device when a front cover is rotated about a hinge to reveal an interior control panel;

See application file for complete search history.

FIG. 7 is a front elevation view of a control device shown in a condition of use; and,

FIG. 8 is a perspective view illustrating the front, top and right sides of the control device.

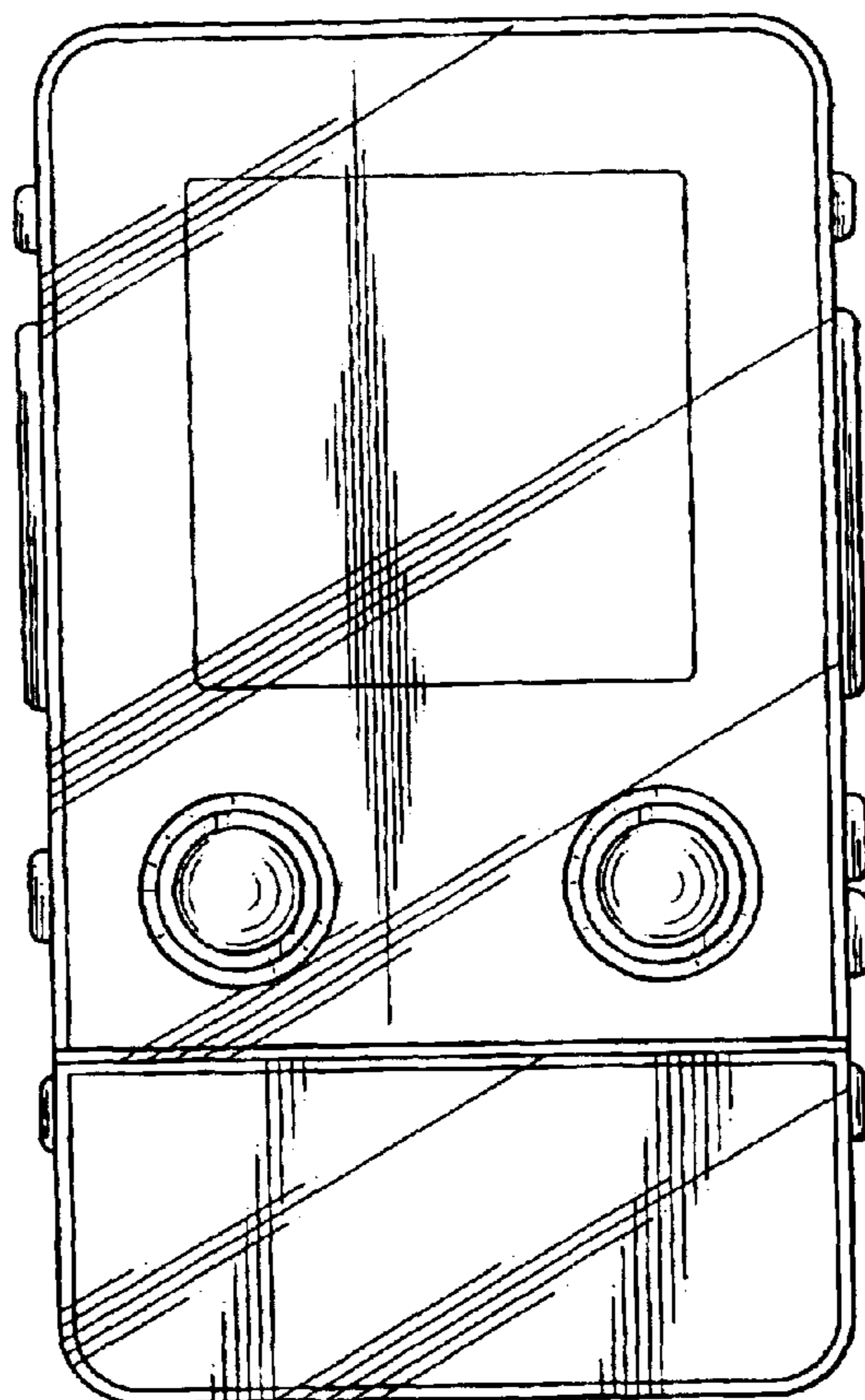
(56) **References Cited**

U.S. PATENT DOCUMENTS

D418,762 S * 1/2000 Dushane et al. D10/49

D435,224 S * 12/2000 King et al. D10/49

1 Claim, 3 Drawing Sheets



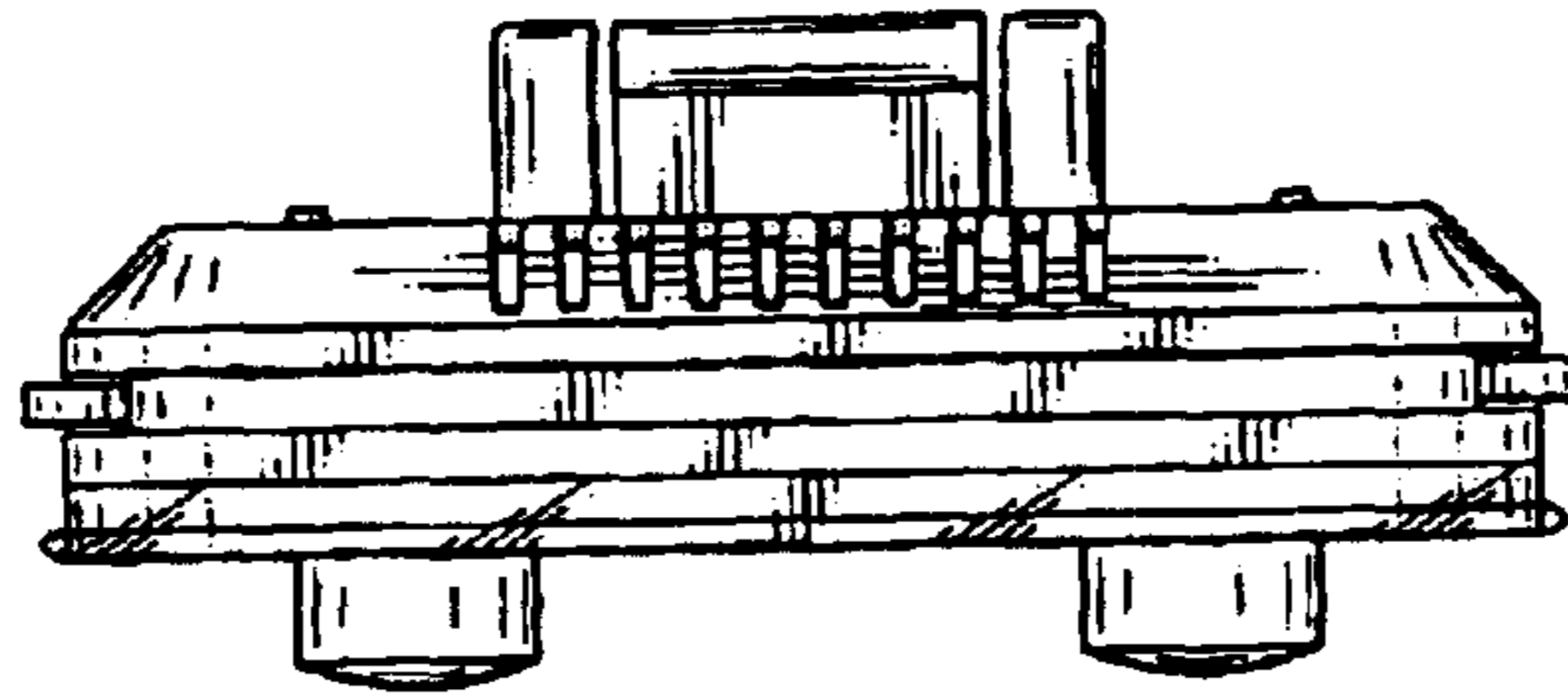


FIG. 2

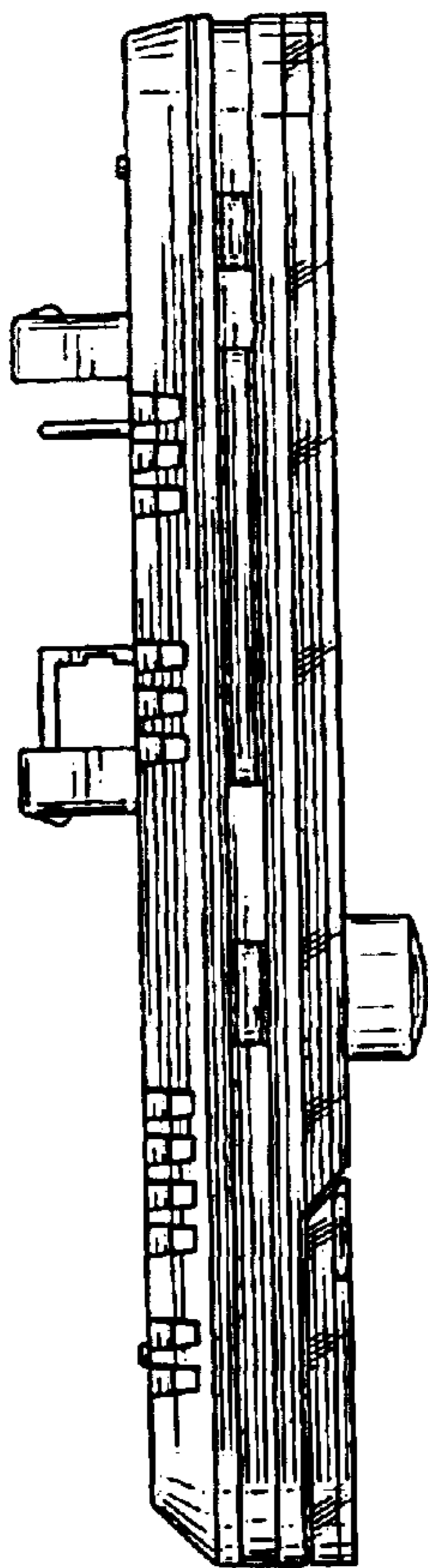


FIG. 4

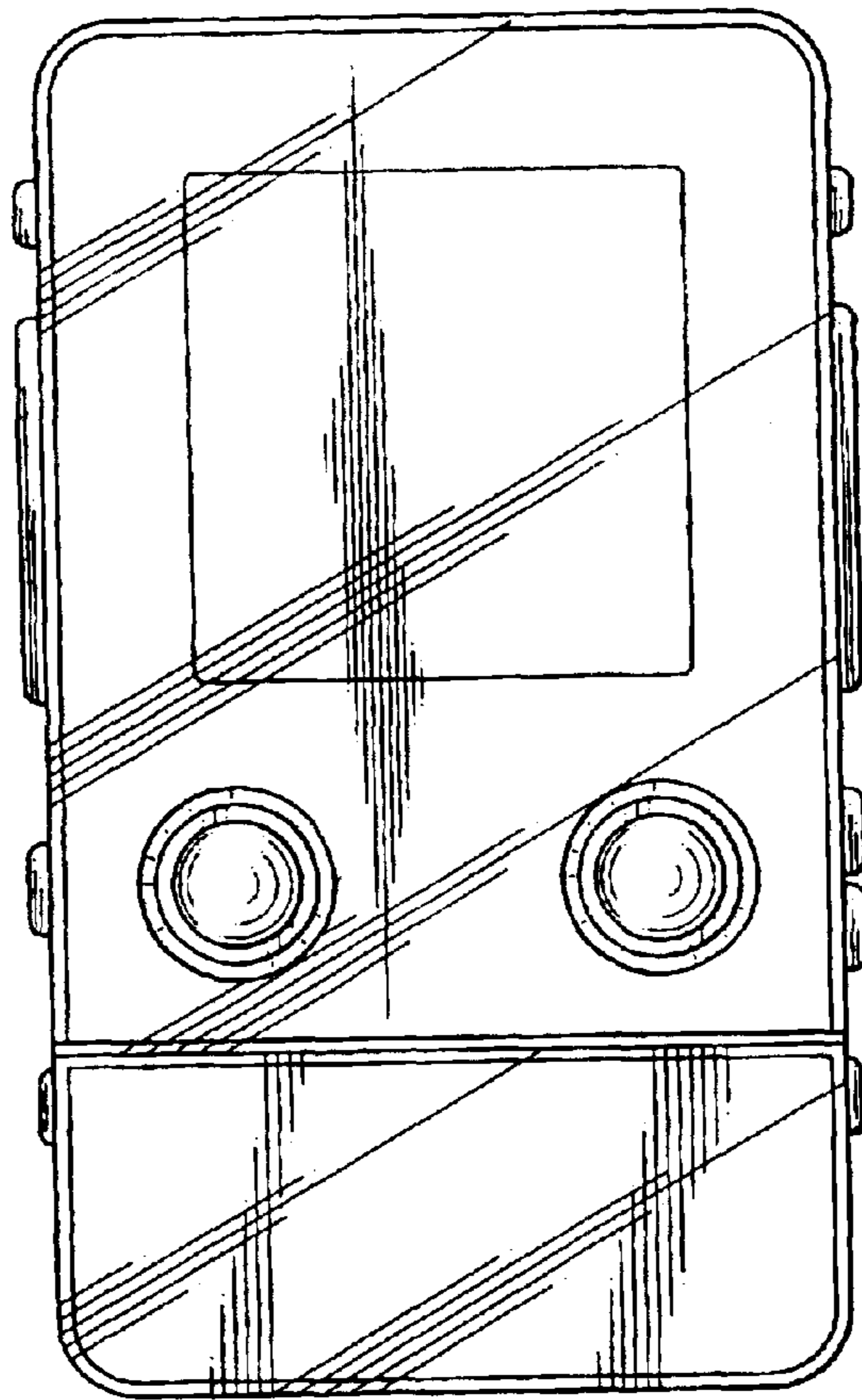


FIG. 1

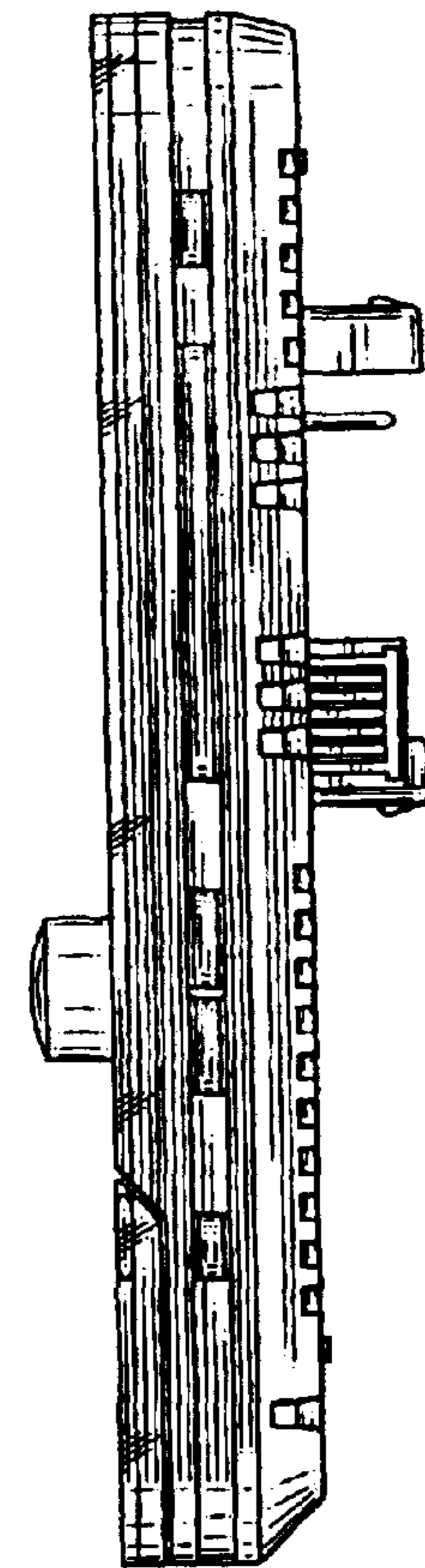


FIG. 5

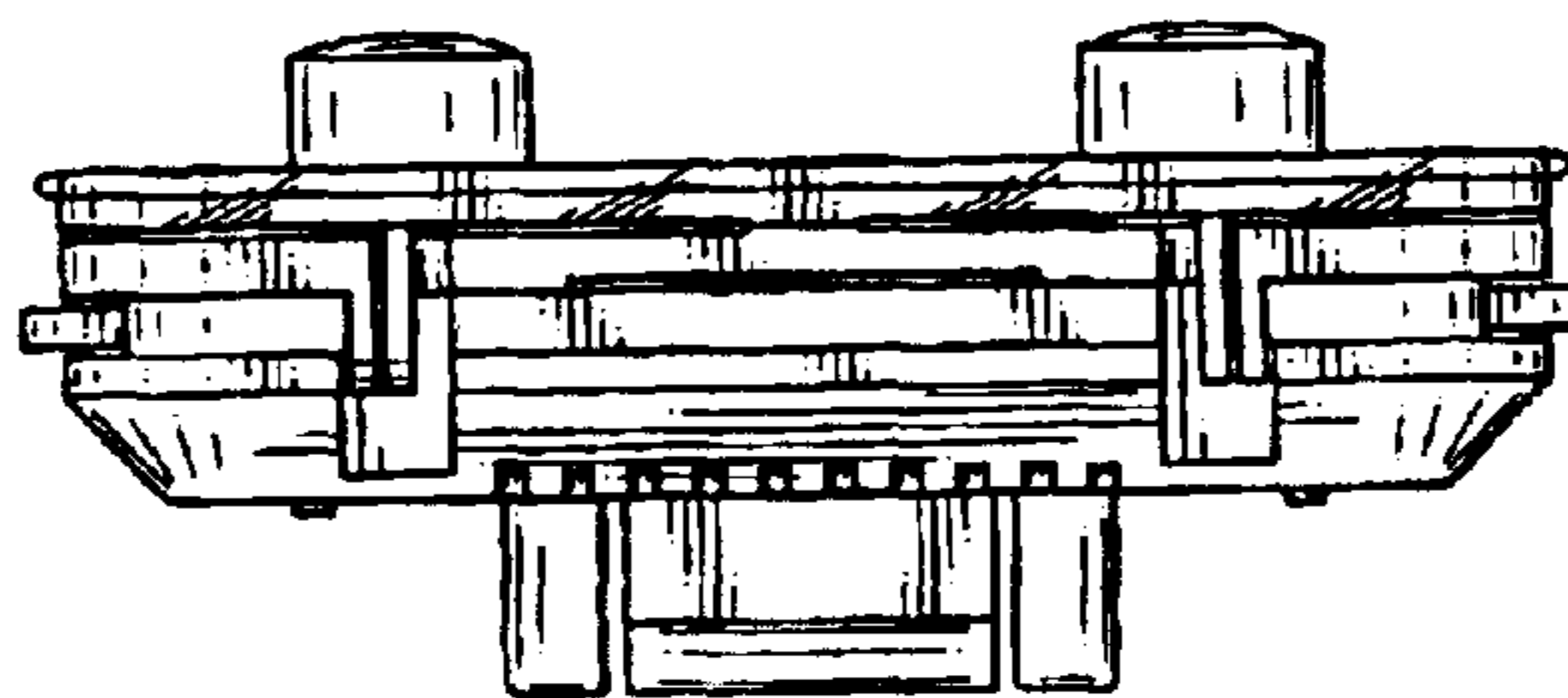


FIG. 3

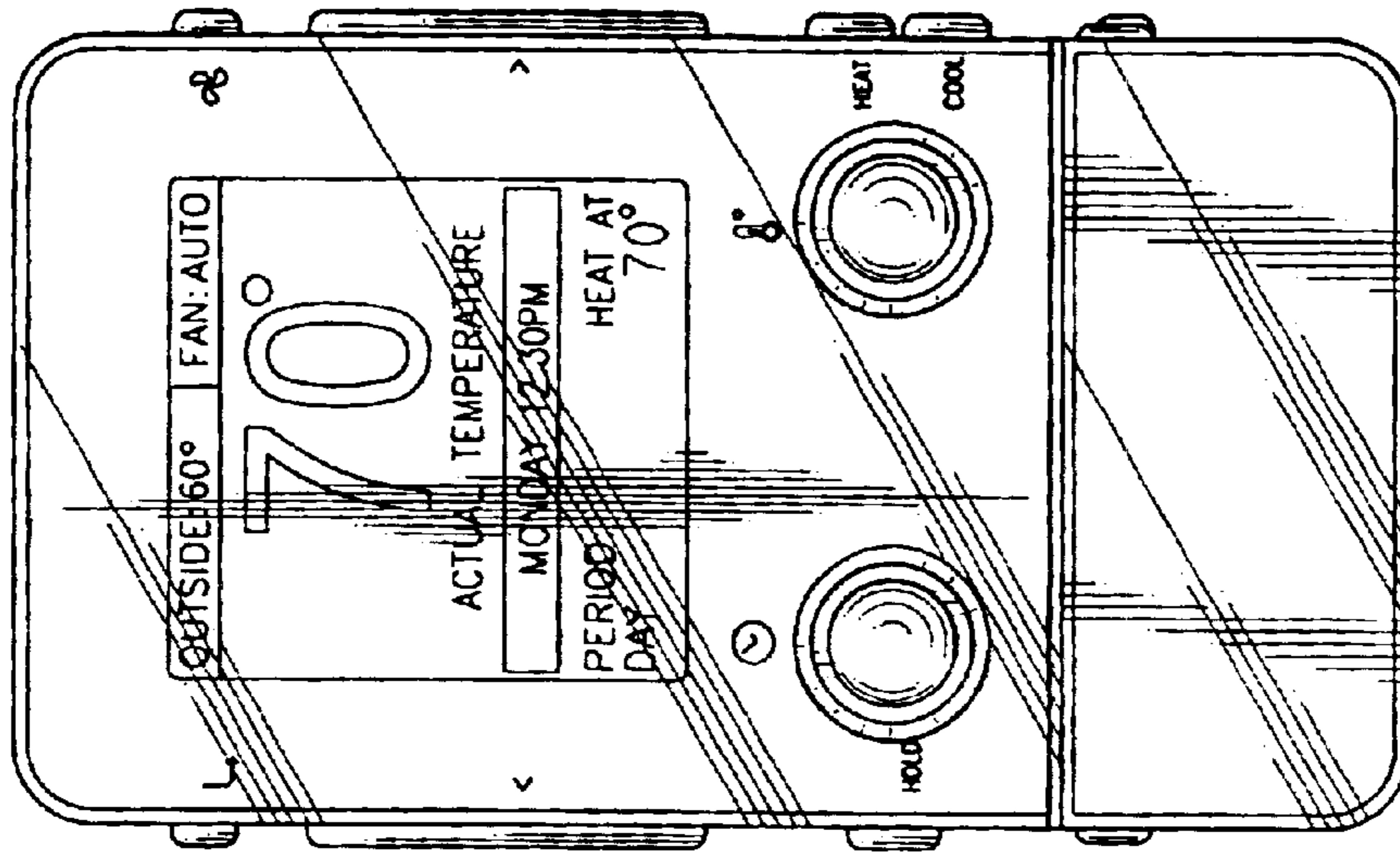


FIG. 7

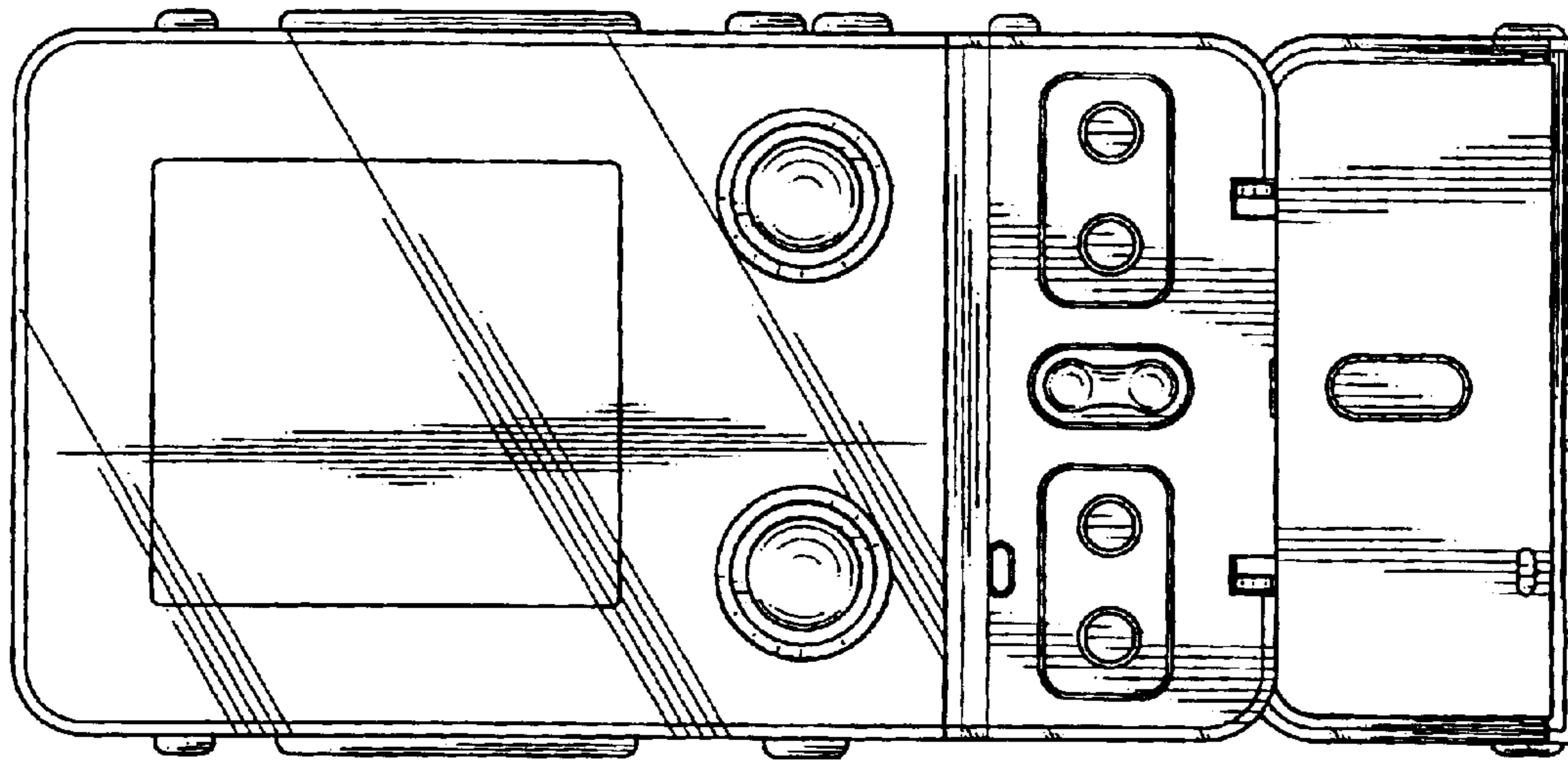


FIG. 6

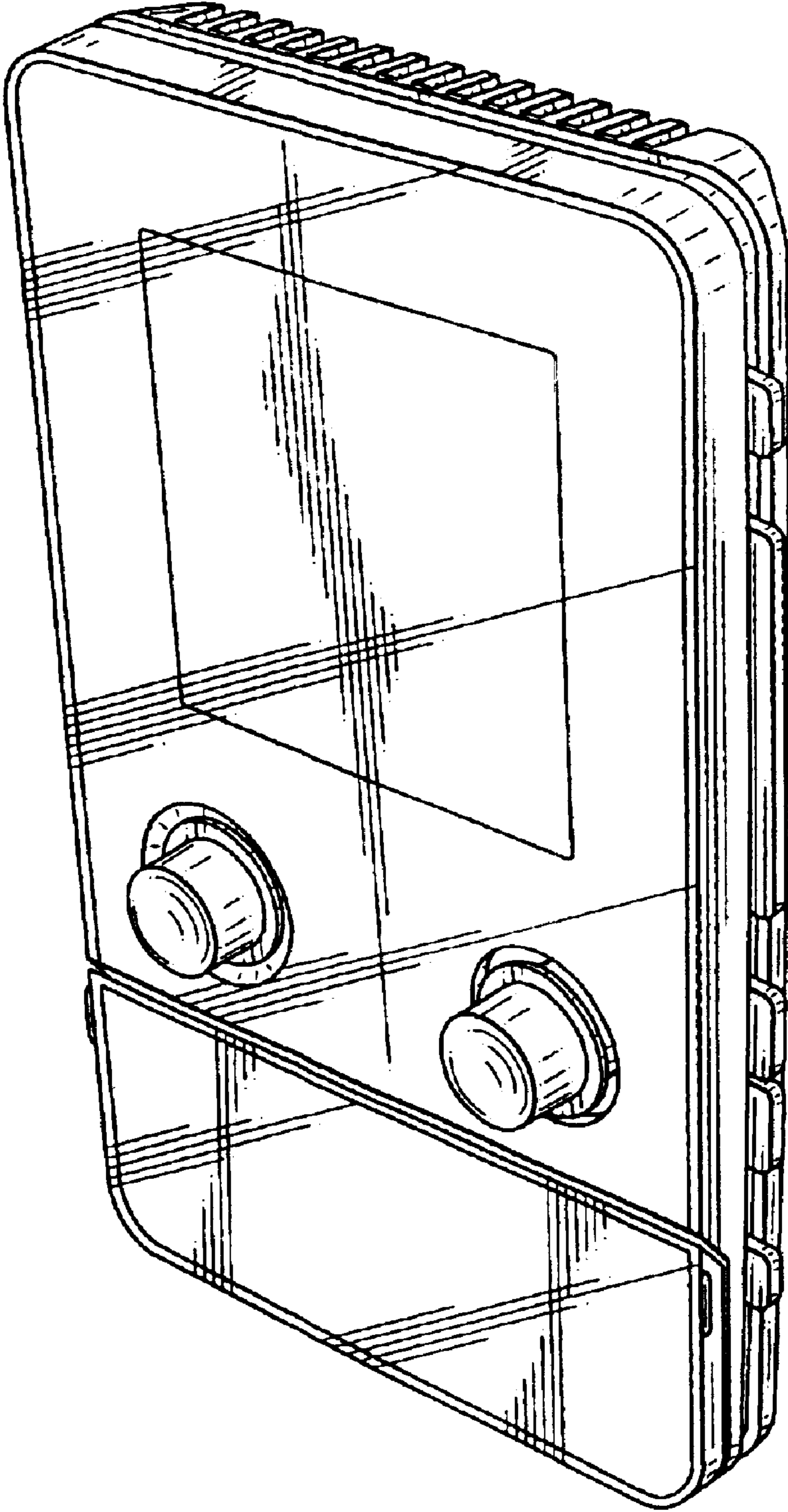


FIG. 8