



US00D516920S

(12) **United States Design Patent** (10) **Patent No.:** **US D516,920 S**
Abadinsky (45) **Date of Patent:** **** Mar. 14, 2006**

(54) **THREE SHAPES BOTTLE**
(75) **Inventor: Donna Abadinsky, Chicago, IL (US)**
(73) **Assignee: MSRF, Inc., Chicago, IL (US)**
(**) **Term: 14 Years**
(21) **Appl. No.: 29/227,387**
(22) **Filed: Apr. 11, 2005**
(51) **LOC (8) Cl. 09-01**
(52) **U.S. Cl. D9/542; D9/516; D9/560; D9/574**
(58) **Field of Classification Search D9/500, D9/502-505, 510-514, 516, 522-523, 530, D9/539, 541-549, 560, 562, 572-575, 652, D9/682, 684, 689, 692-693, 744-746; 215/381-385, 215/396, 398, 400**
See application file for complete search history.

D340,413 S * 10/1993 Emig D9/502
D356,737 S 3/1995 Ginsberg
D369,969 S 5/1996 Grivory
RE36,595 E * 3/2000 Newman D27/162
D425,796 S 5/2000 Duranthon
D426,789 S 6/2000 Joergensen
6,145,681 A 11/2000 Chimetto et al.
D434,668 S 12/2000 Chimetto et al.
D476,899 S * 7/2003 Honkawa D9/539
D481,627 S 11/2003 Hillesland
6,659,300 B1 12/2003 Wurster et al.
D484,810 S 1/2004 Rosen
D489,001 S 4/2004 Martin
D495,608 S 9/2004 Klemm et al.
D504,067 S * 4/2005 Feletto D9/516
2003/0010744 A1 1/2003 Ma et al.

FOREIGN PATENT DOCUMENTS

GB 2067867 * 11/1997
GB 2095897 * 10/2000

* cited by examiner

Primary Examiner—Carol Rademaker
(74) *Attorney, Agent, or Firm*—Seyfarth Shaw LLP

(56) **References Cited**
U.S. PATENT DOCUMENTS

D16,311 S * 10/1885 Berry D9/505 X
D72,960 S * 6/1927 Mas D9/502
D120,334 S * 5/1940 Barolo D9/519
D121,419 S * 7/1940 King D9/529
D152,685 S * 2/1949 Graham D9/519
D152,875 S 3/1949 Frame
D170,754 S * 11/1953 Hexel D9/539
D206,830 S 1/1967 Marchant
D233,449 S * 10/1974 Zauner D9/500 X
D234,779 S * 4/1975 Zauner D9/500 X
D246,389 S * 11/1977 Graham D27/162
D256,508 S * 8/1980 Graham D27/162
D258,200 S * 2/1981 Weckstrom D9/560
D322,563 S 12/1991 Grandesso et al.
D337,522 S 7/1993 Kingsbury

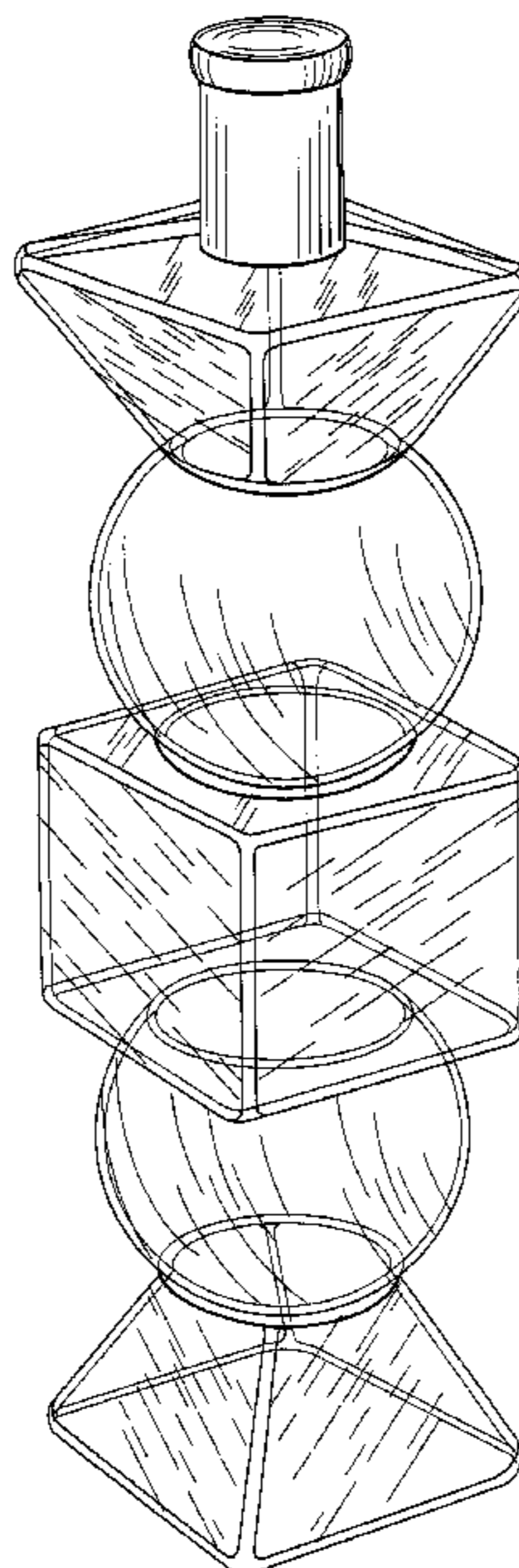
(57) **CLAIM**

The ornamental design for a three shapes bottle, as shown and described.

DESCRIPTION

FIG. 1 is a perspective view of the three shapes bottle showing my new design;
FIG. 2 is a side view thereof, the front, rear and opposite side views being identical;
FIG. 3 is a top plan view thereof; and,
FIG. 4 is a bottom plan view thereof.

1 Claim, 2 Drawing Sheets



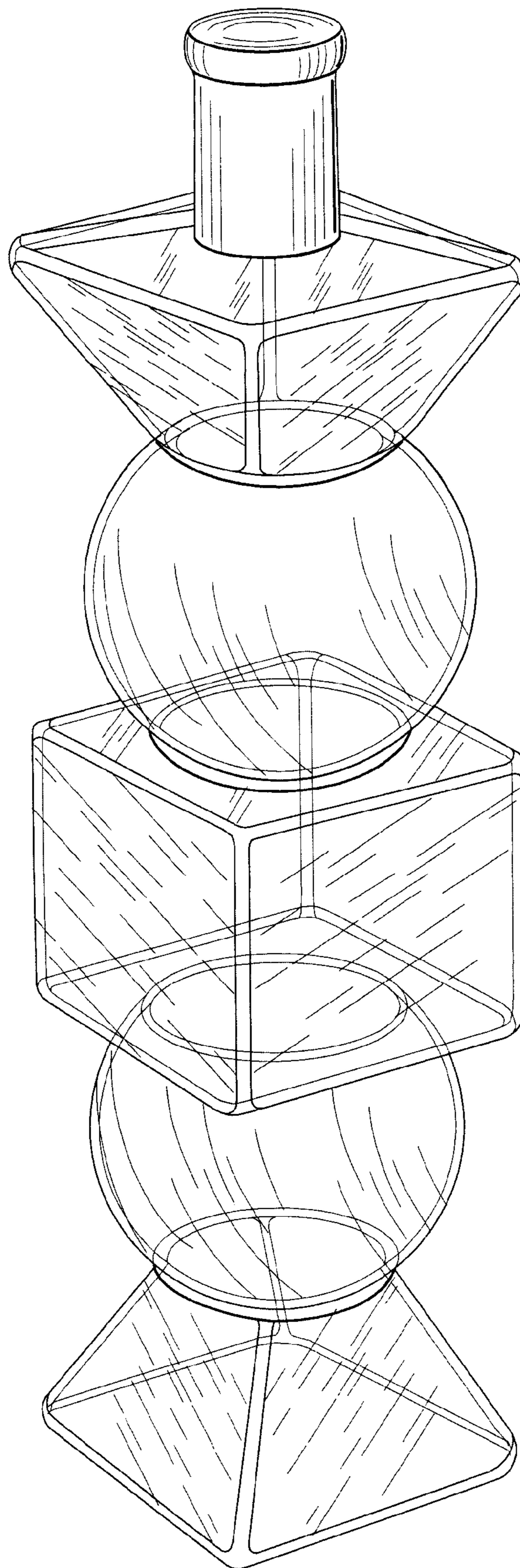


FIG. 1

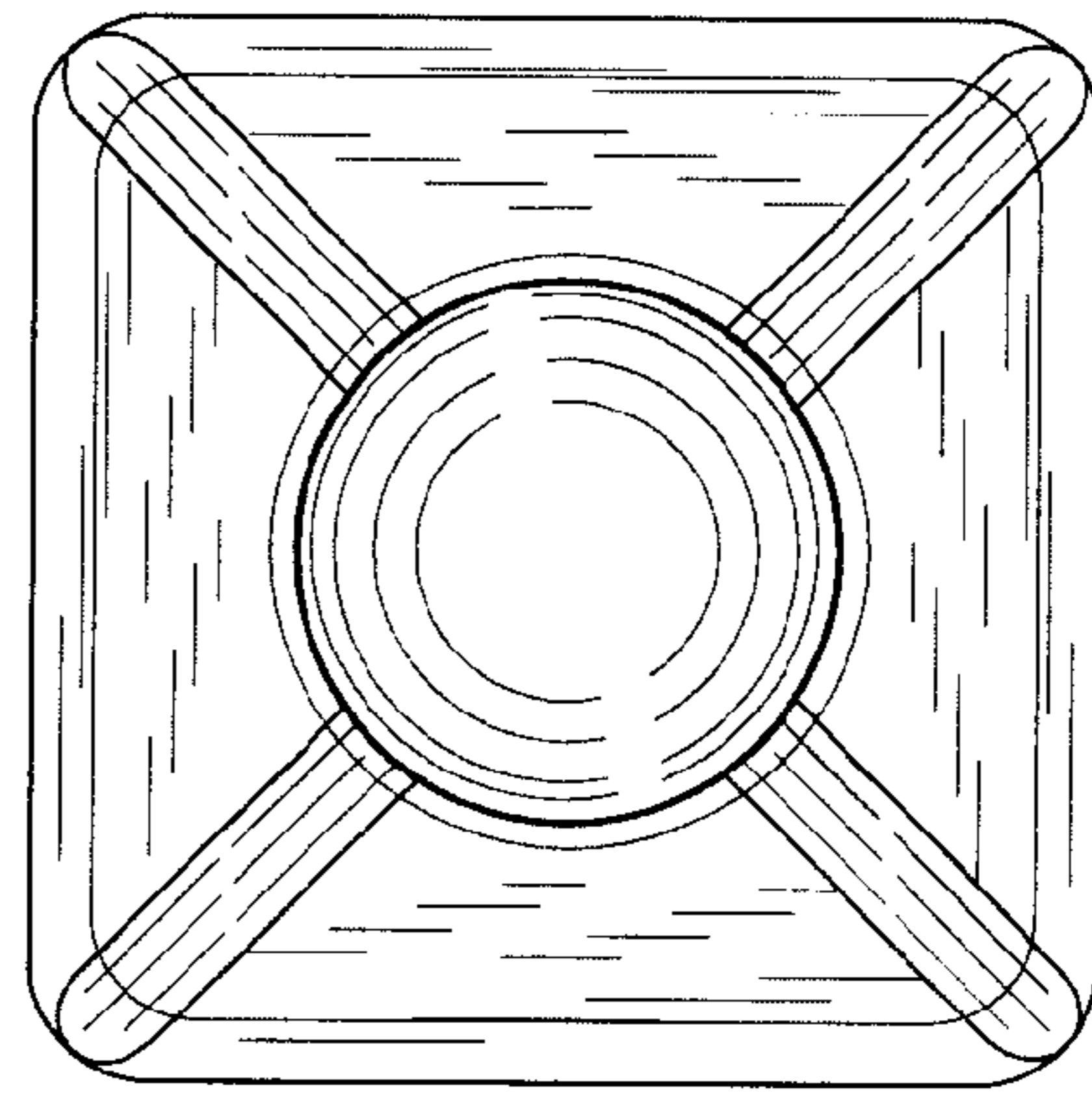
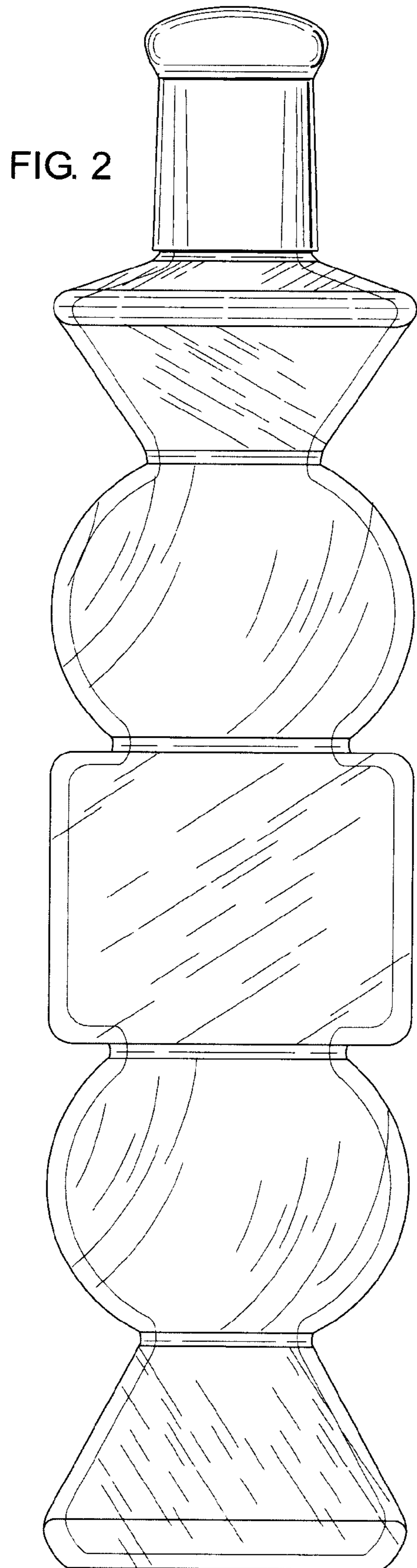


FIG. 3

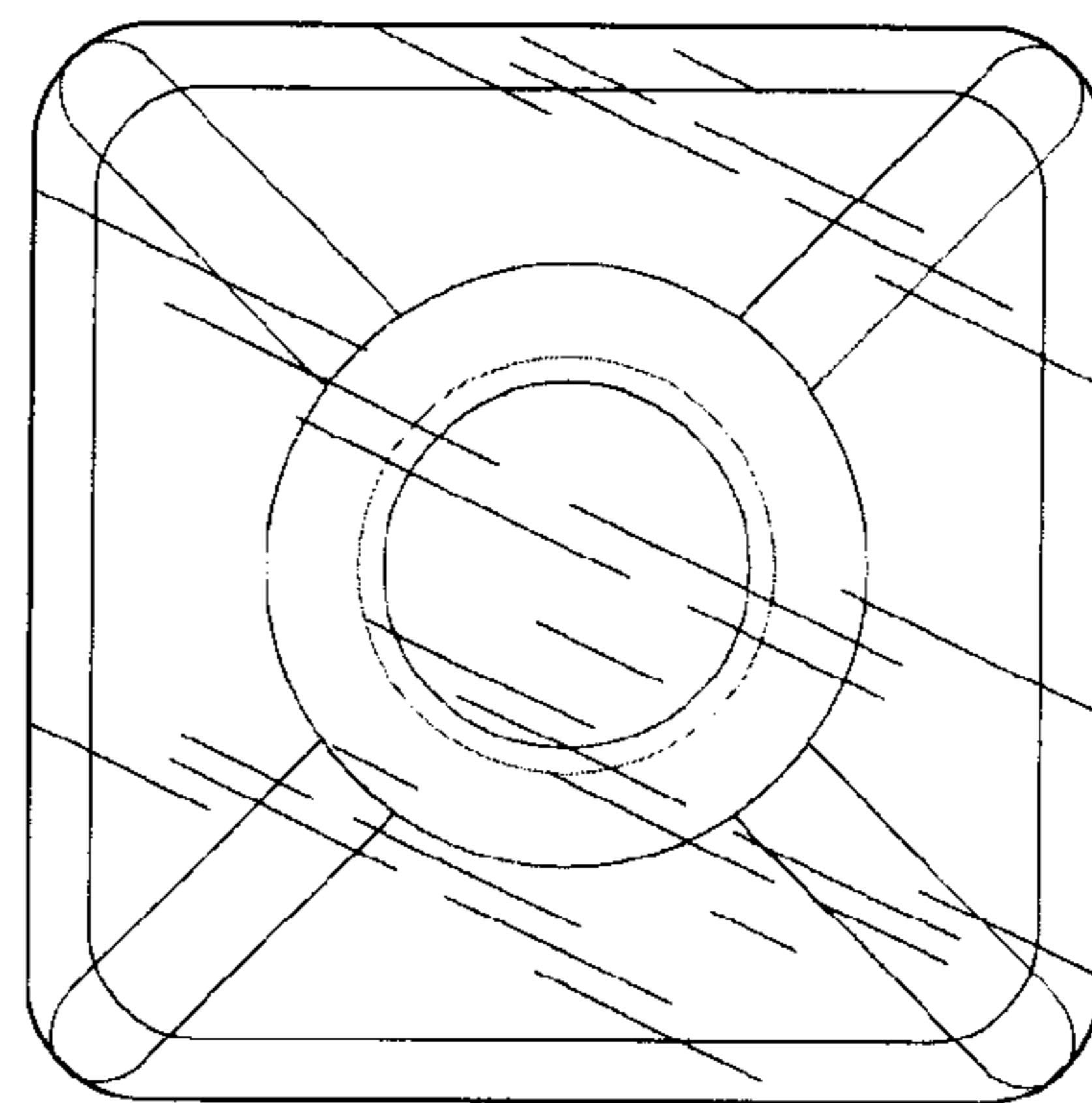


FIG. 4