



US00D516917S

(12) **United States Design Patent**
Baron

(10) **Patent No.:** **US D516,917 S**
(45) **Date of Patent:** **** Mar. 14, 2006**

(54) **BOTTLE**

(75) **Inventor:** **Fabien Baron, New York, NY (US)**

(73) **Assignee:** **Fragrance and Skincare SL,**
Barcelona (ES)

(**) **Term:** **14 Years**

(21) **Appl. No.:** **29/210,974**

(22) **Filed:** **Aug. 10, 2004**

(30) **Foreign Application Priority Data**

Feb. 10, 2004 (EM) 000131529

(51) **LOC (8) Cl.** **09-01**

(52) **U.S. Cl.** **D9/523; D9/575**

(58) **Field of Classification Search** D9/682,
D9/685, 687, 693-694, 516, 523, 525-526,
D9/544, 550, 560, 563, 572-575, 414, 430-432;
D19/79, 83, 93; D28/91.1; 215/379-385,
215/396, 398, 400; D24/224

See application file for complete search history.

(56) **References Cited**

U.S. PATENT DOCUMENTS

D22,004 S * 11/1892 Rodiger D19/79
D39,897 S * 3/1909 Passano D9/544
D67,625 S * 6/1925 Terry D9/544
D87,108 S * 6/1932 Ford D19/79

D141,775 S * 7/1945 Buckingham D9/544
D158,380 S * 5/1950 Jeftler-Louiche D9/544
D218,281 S * 8/1970 Diener D9/523
4,334,028 A * 6/1982 Carver 215/380 X
D322,315 S * 12/1991 Ushikubo D24/117
D325,258 S * 4/1992 Andersen et al. D24/224 X
D375,565 S * 11/1996 Autrey et al. D24/121 X
6,168,039 B1 * 1/2001 Schwaikert 220/23.83
D502,268 S * 2/2005 Sakai et al. D24/224

* cited by examiner

Primary Examiner—Carol Rademaker

(74) *Attorney, Agent, or Firm*—Hogan & Hartson LLP

(57) **CLAIM**

The ornamental design for a bottle, as shown and described.

DESCRIPTION

FIG. 1 is a front perspective view of a bottle showing the design;

FIG. 2 is a front view thereof, shown at a reduced scale;

FIG. 3 is a right view thereof;

FIG. 4 is a left view thereof;

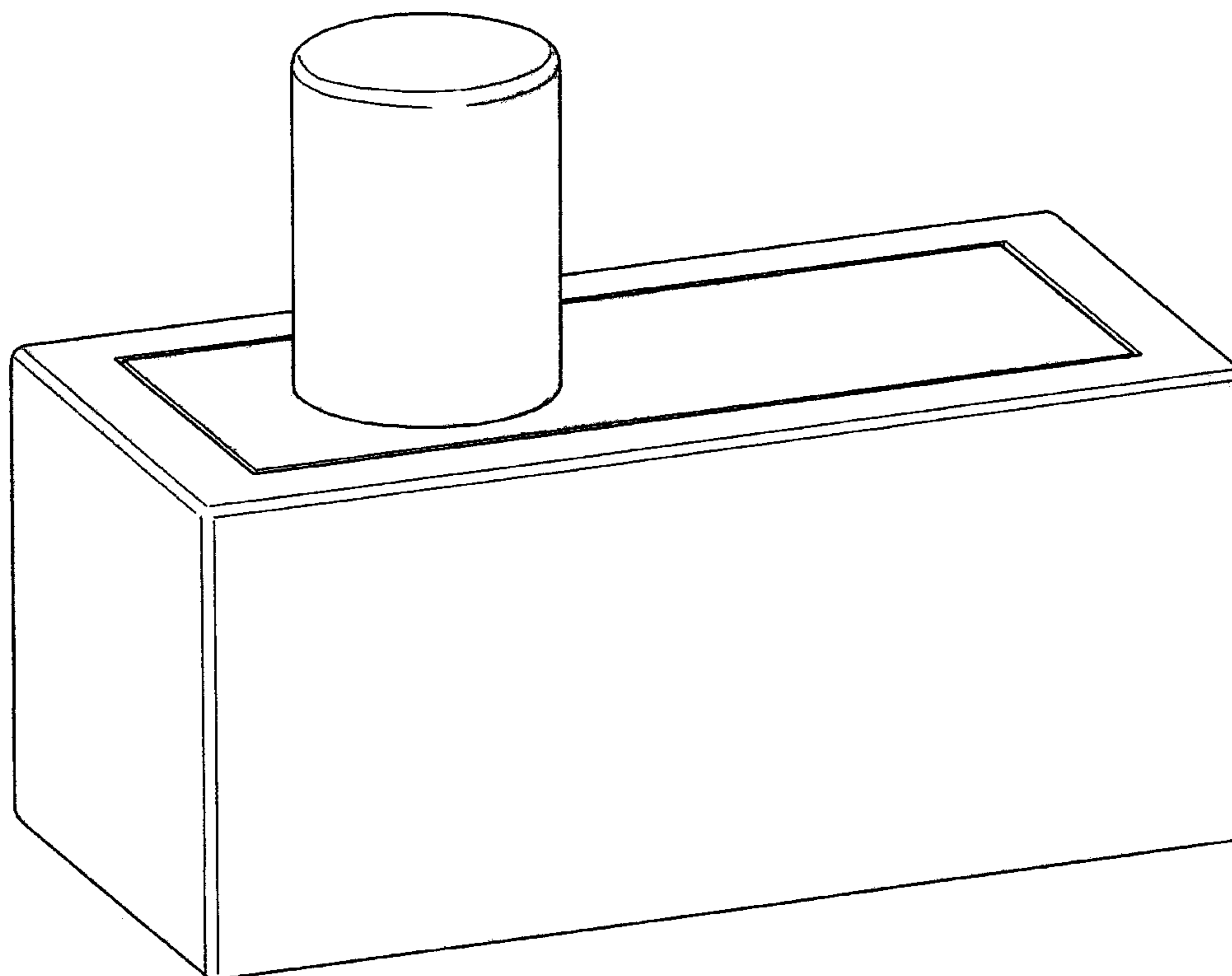
FIG. 5 is a rear view thereof;

FIG. 6 is a top view thereof; and,

FIG. 7 is a bottom view thereof.

The broken lines shown in the FIG. 7 drawing view are for environmental purposes only and form no part of the claimed design.

1 Claim, 2 Drawing Sheets



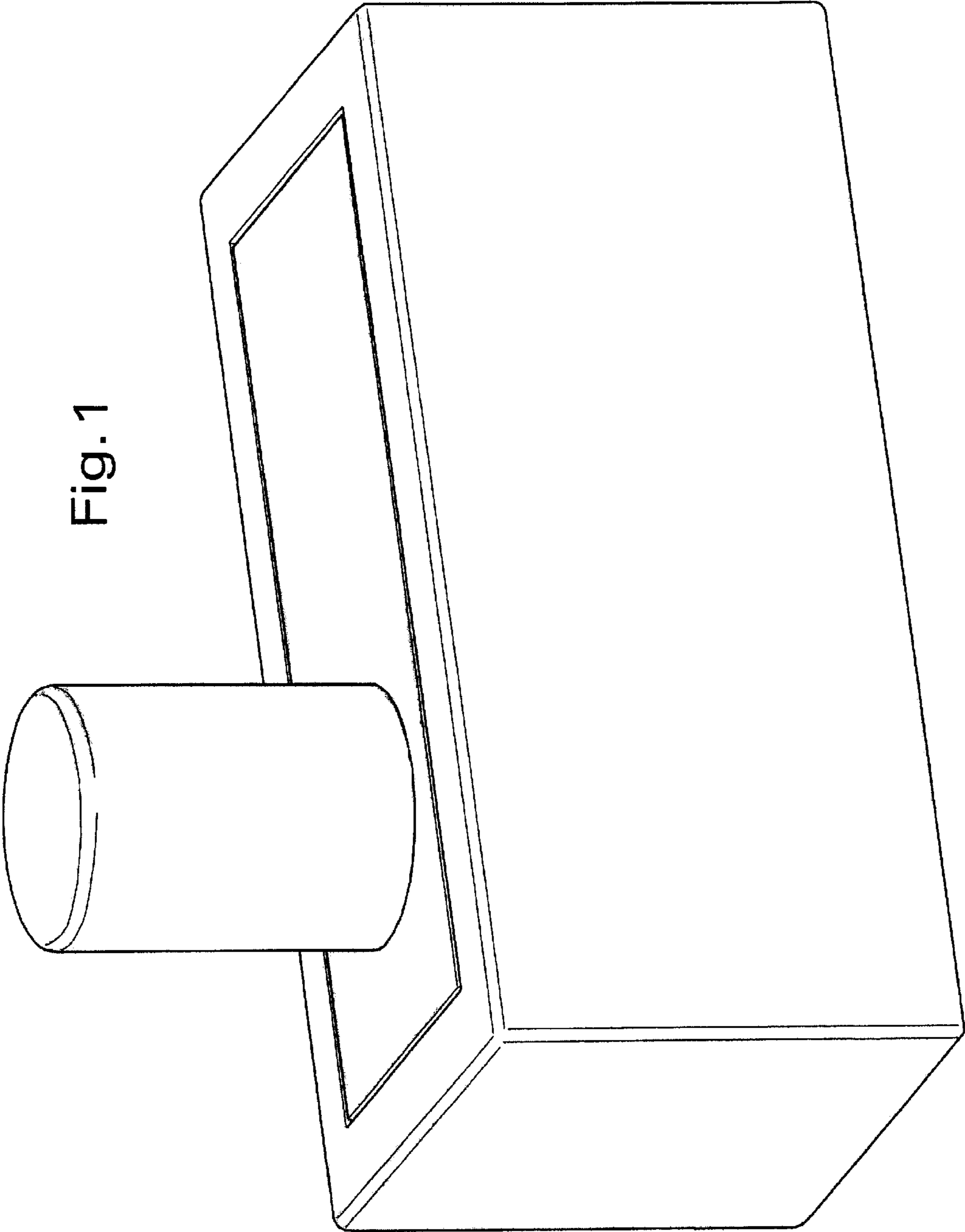


Fig. 1

Fig. 7



Fig. 4

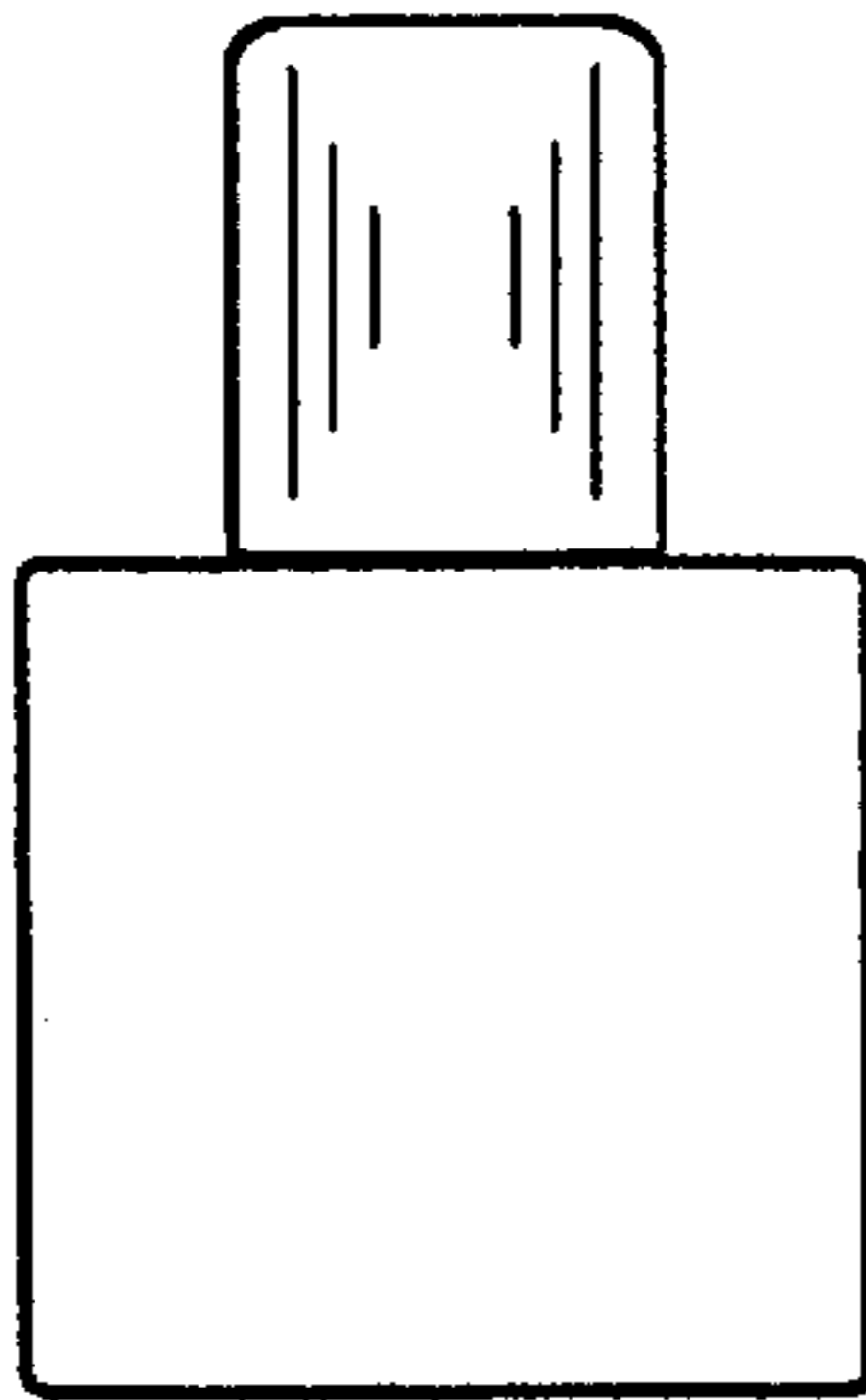


Fig. 2

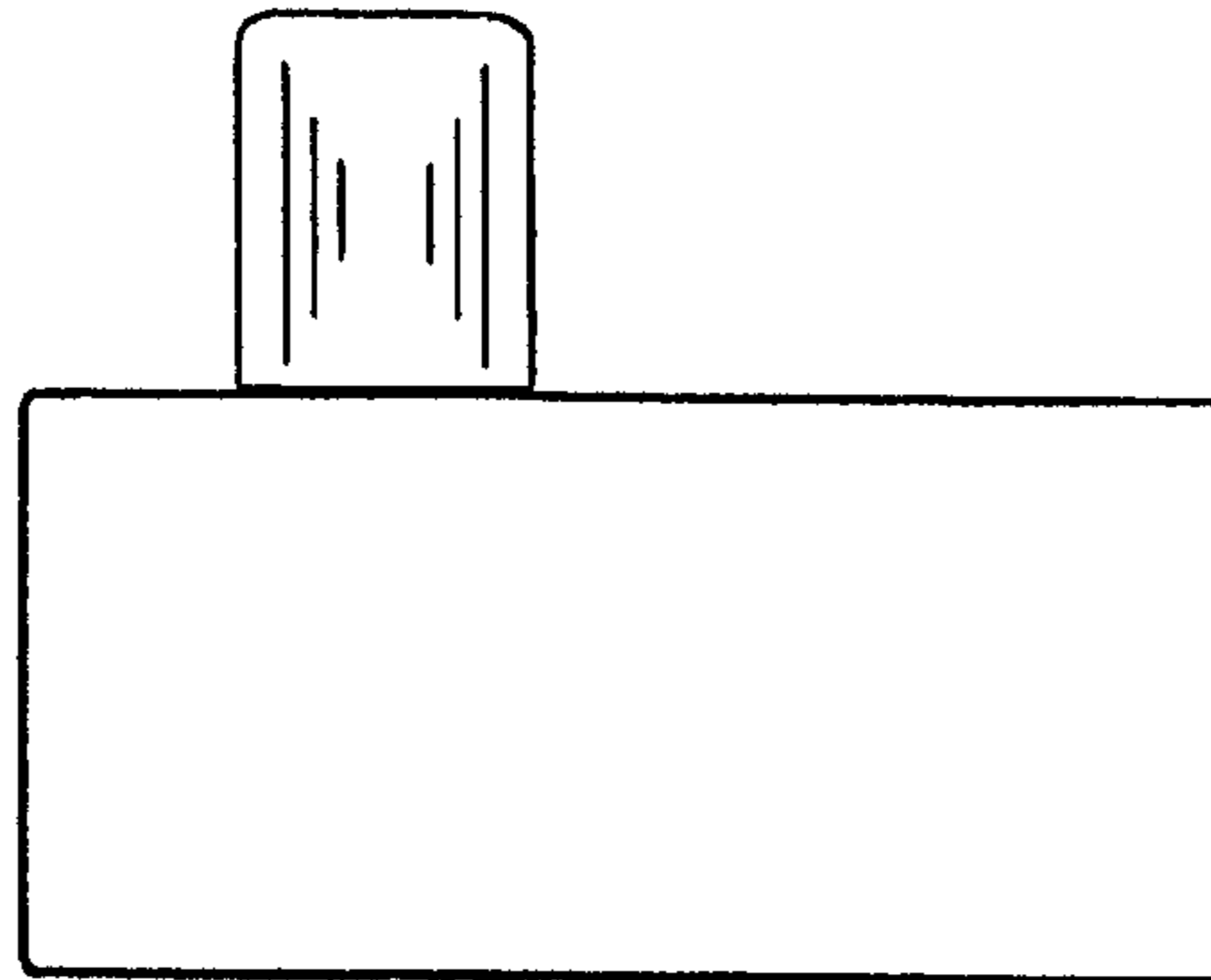


Fig. 3

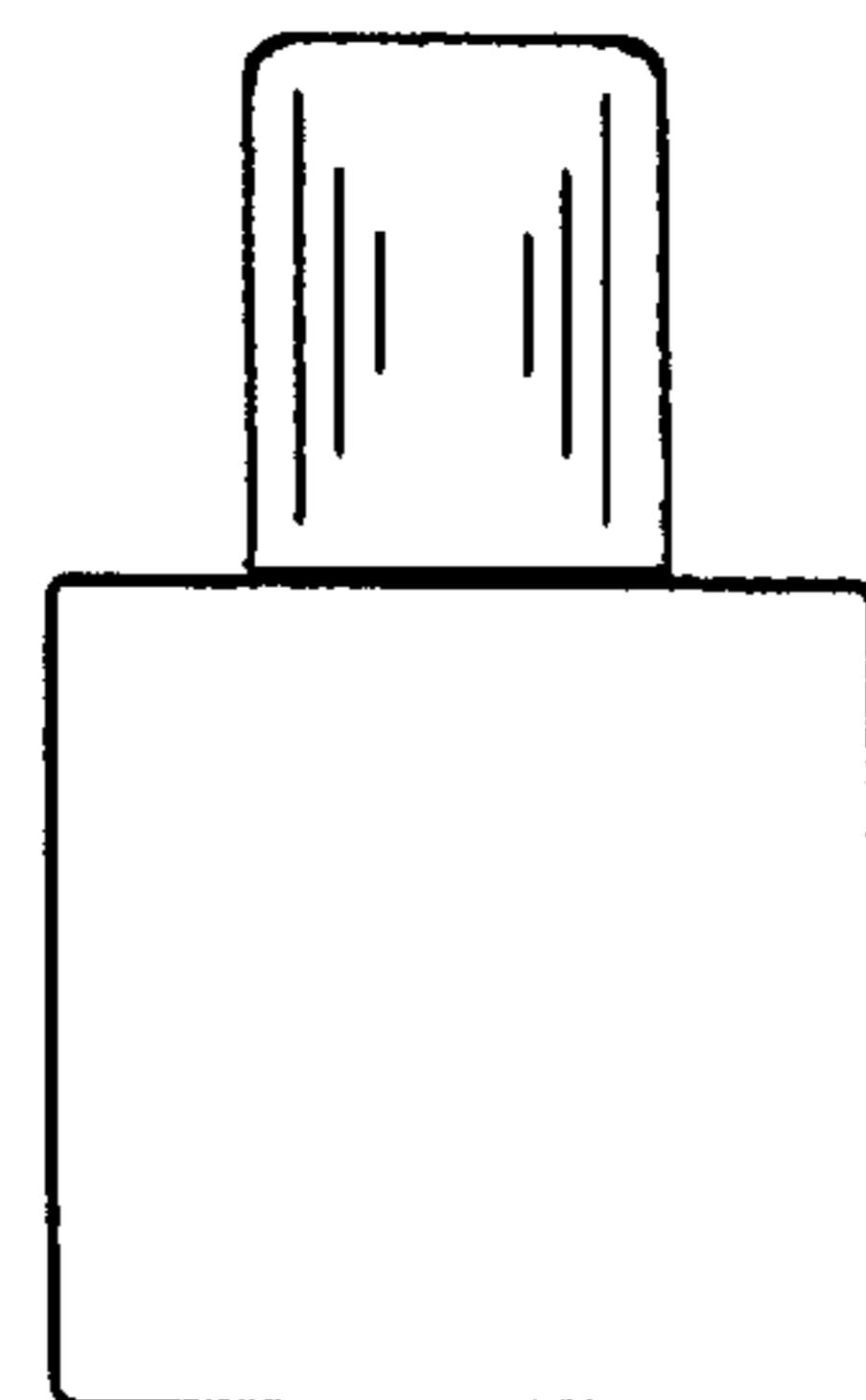


Fig. 5

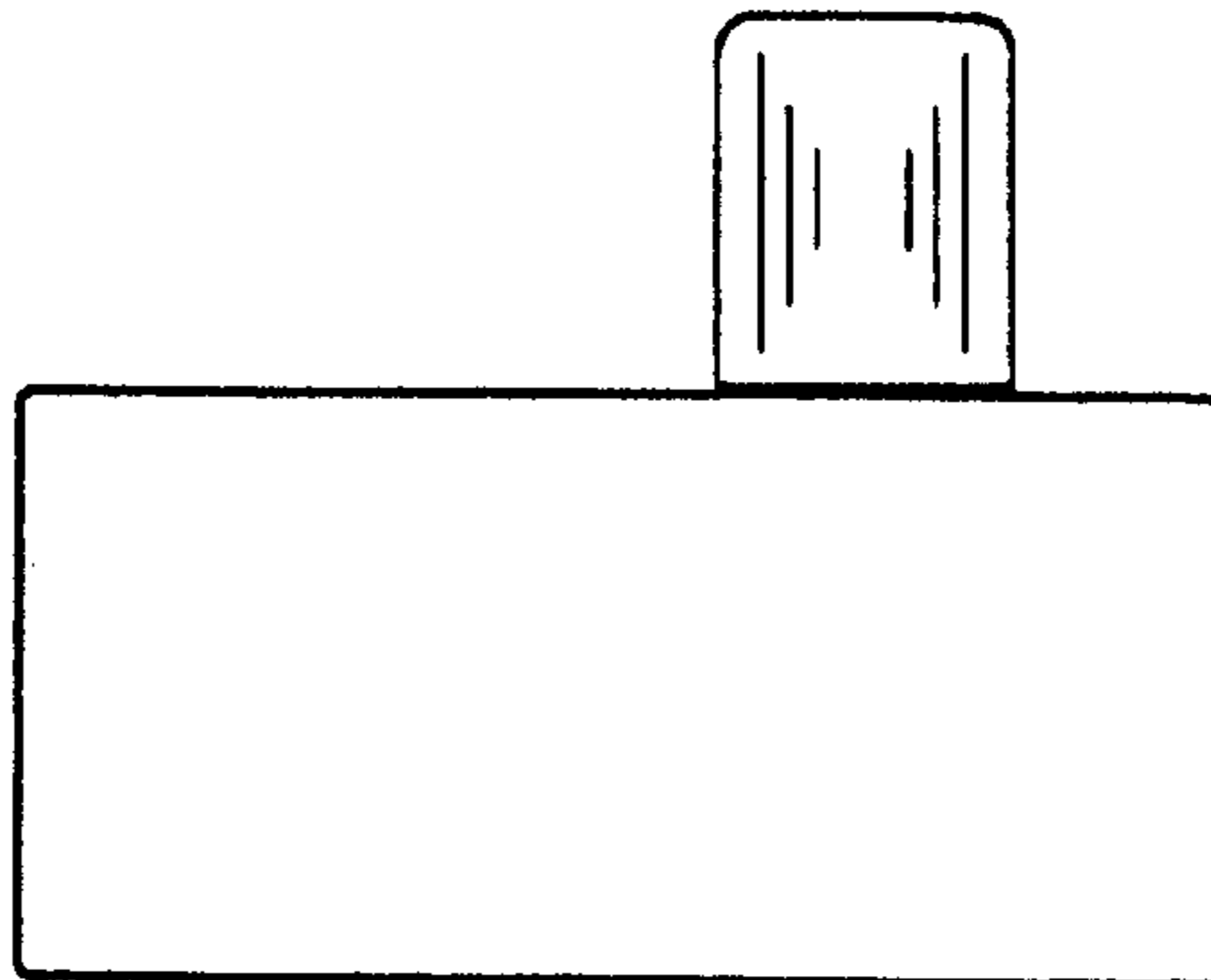


Fig. 6

