



US00D516911S

(12) **United States Design Patent** (10) **Patent No.:** **US D516,911 S**  
**Bloom et al.** (45) **Date of Patent:** **\*\* Mar. 14, 2006**

(54) **CLOSURE SHELL**

(75) Inventors: **Kenneth S. Bloom**, Bloomdale, OH (US); **Wendell D. Willingham**, Perrysburg, OH (US)

(73) Assignee: **Owens-Illinois Closure Inc.**, Toledo, OH (US)

(\*\*) Term: **14 Years**

(21) Appl. No.: **29/236,106**

(22) Filed: **Aug. 11, 2005**

4,981,230 A 1/1991 Marshall et al.  
 D318,804 S 8/1991 Ochs  
 D320,085 S 9/1991 Beranek et al.  
 5,213,224 A \* 5/1993 Luch ..... 215/329  
 D358,769 S 5/1995 Luch et al.  
 D368,658 S 4/1996 Hirsch  
 D369,748 S 5/1996 Zemlo et al.  
 D383,851 S \* 9/1997 Wong ..... D24/224  
 5,853,097 A 12/1998 Ekkert  
 D405,530 S 2/1999 Manganiello et al.  
 D407,978 S 4/1999 Petro  
 D417,397 S 12/1999 Forecast et al.  
 D433,149 S \* 10/2000 Fassbind et al. .... D24/224  
 D436,862 S 1/2001 Witt et al.  
 D437,228 S 2/2001 Collins  
 D453,109 S 1/2002 Piquet  
 6,382,440 B1 5/2002 Brant et al.  
 D458,138 S 6/2002 Fuchs  
 D465,731 S 11/2002 Brant et al.  
 D475,924 S 6/2003 Haffner  
 D481,801 S 11/2003 Whitley  
 2003/0221987 A1 12/2003 Trude

**Related U.S. Application Data**

(62) Division of application No. 29/201,323, filed on Mar. 11, 2004.

(51) **LOC (8) Cl.** ..... **09-07**

(52) **U.S. Cl.** ..... **D9/453**

(58) **Field of Classification Search** ..... D9/455, D9/548, 435, 449, 438, 569, 556, 537, 529, D9/454, 453; D24/197, 199, 224, 196; 220/253; 215/11.3, 11.1, 334, 329, 252, 250, 219, 217, 215/216, 214, 222, 232, 253; 206/562  
 See application file for complete search history.

\* cited by examiner

*Primary Examiner*—Robert M. Spear  
*Assistant Examiner*—Susan Bennett Hattan

(57) **CLAIM**

We claim the ornamental design for a closure shell, as shown and described.

**DESCRIPTION**

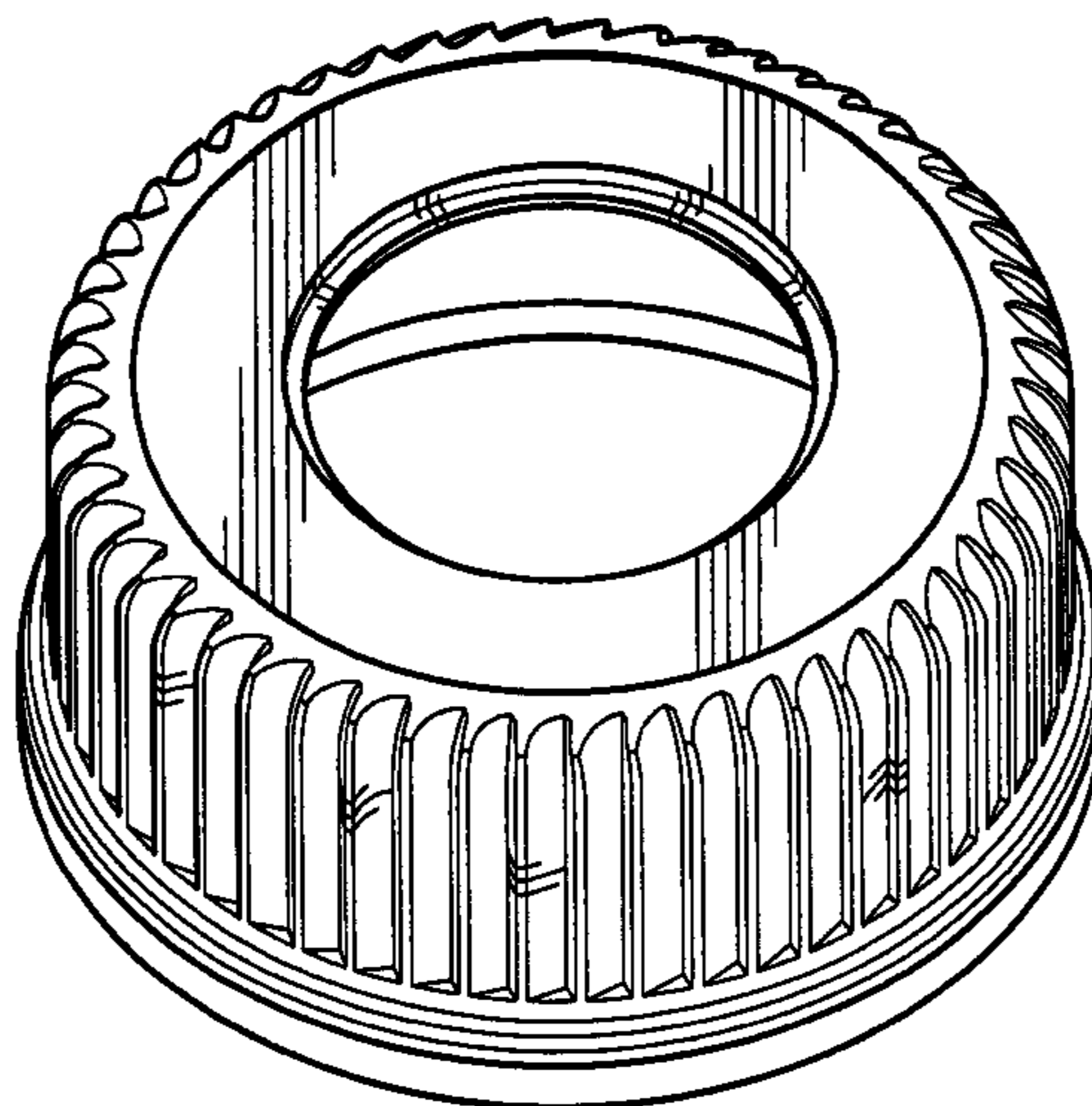
FIG. 1 is a perspective view of a closure shell in accordance with the invention.  
 FIG. 2 is a front elevational view of the closure shell in FIG. 1, the opposing rear elevational view and the two side elevational views being identical to FIG. 2; and,  
 FIG. 3 is a top plan view of the closure shell in FIGS. 1 and 2, the bottom of the closure shell forming no part of the claimed design.

**1 Claim, 2 Drawing Sheets**

(56) **References Cited**

**U.S. PATENT DOCUMENTS**

D51,893 S 3/1918 Temple  
 D113,394 S \* 2/1939 Piluso ..... D9/453  
 D124,623 S 1/1941 Jung  
 D145,512 S 9/1946 Derham  
 D153,956 S \* 5/1949 Lay ..... D9/453  
 2,643,785 A 6/1953 Rust Sr.  
 2,746,631 A 5/1956 Witz  
 3,746,198 A 7/1973 Howland  
 D247,351 S 2/1978 Bathropp  
 D250,633 S 12/1978 Bouthillier et al.  
 D290,323 S 6/1987 Weernink  
 D304,424 S \* 11/1989 Dawson ..... D9/453



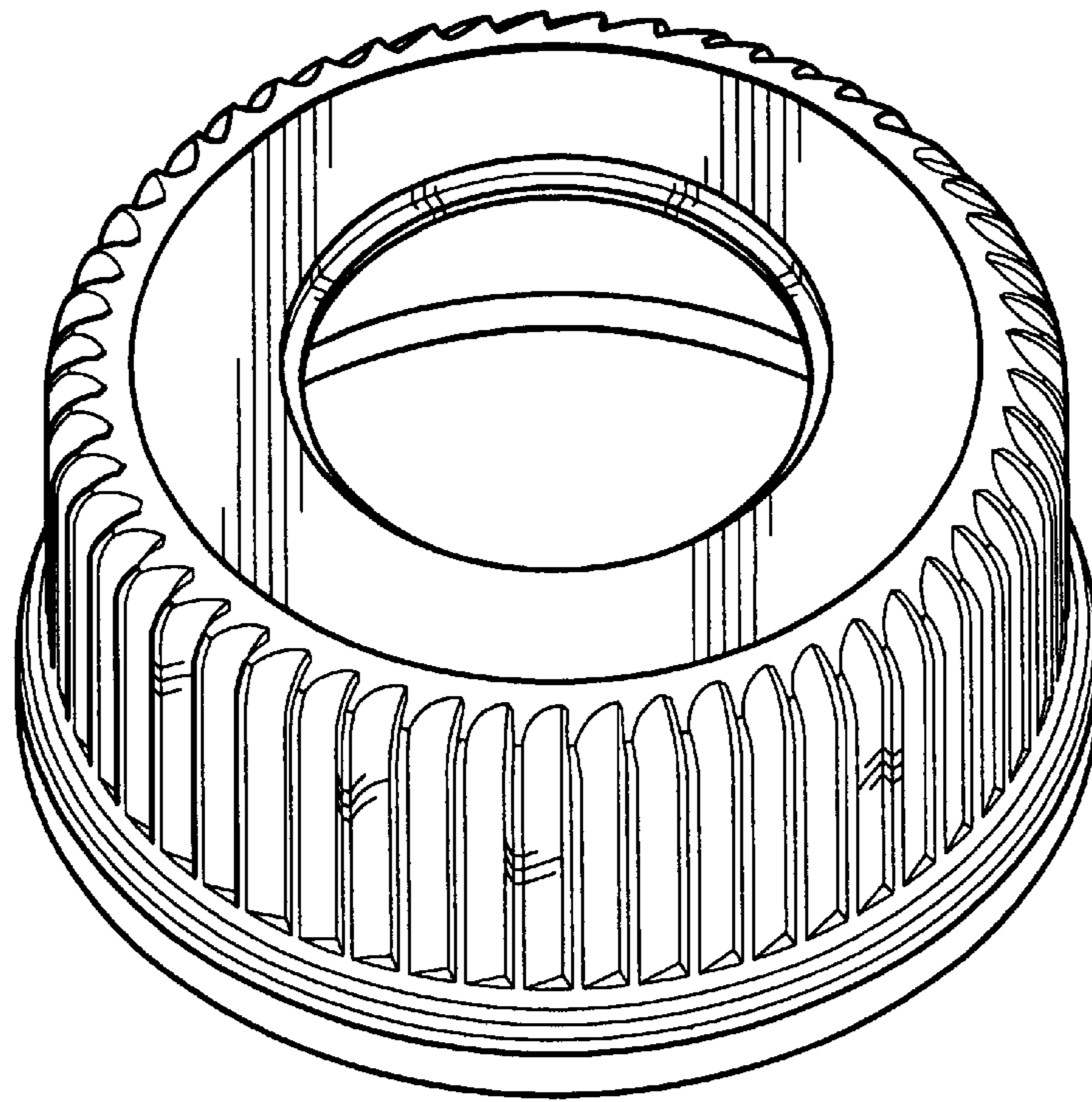


Figure 1

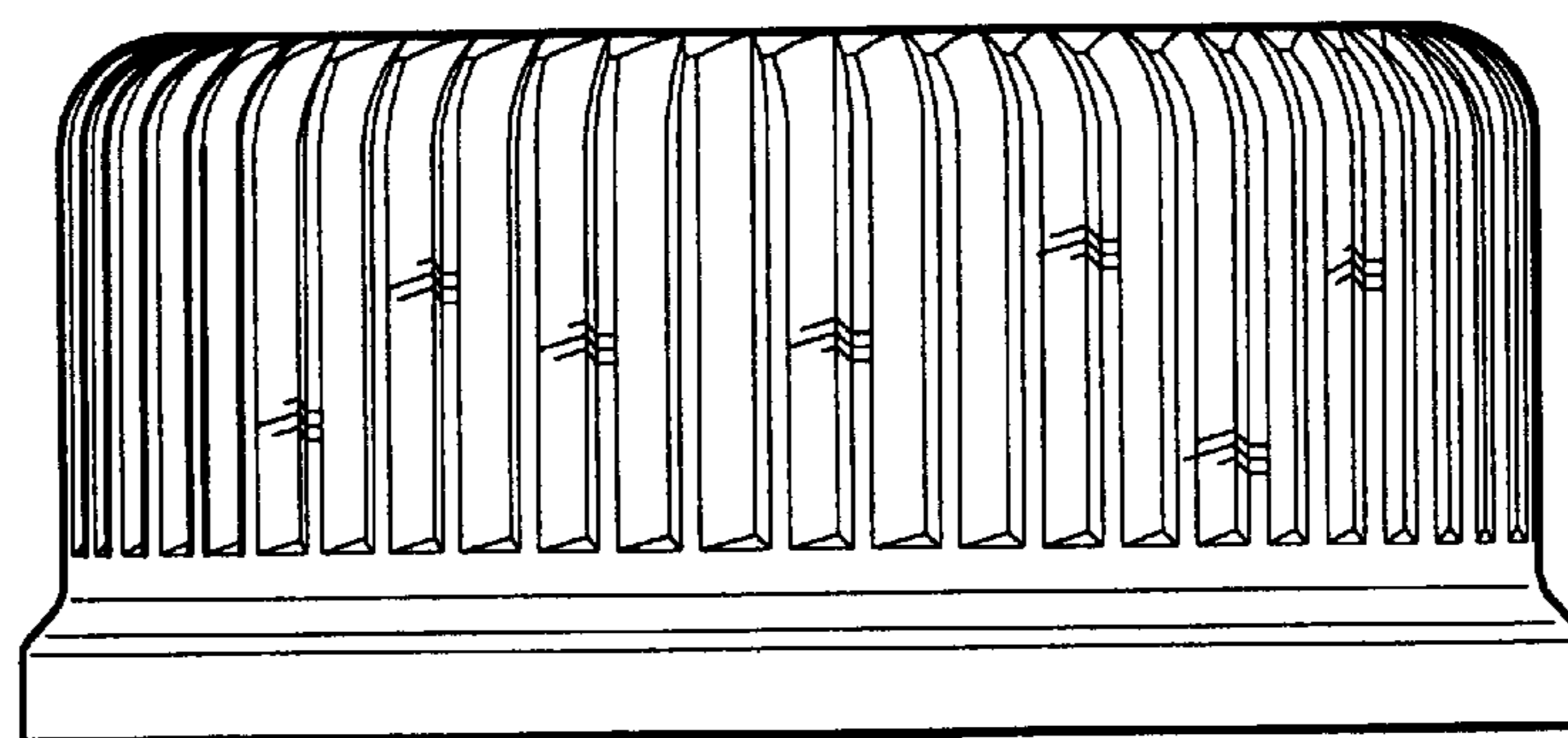


Figure 2

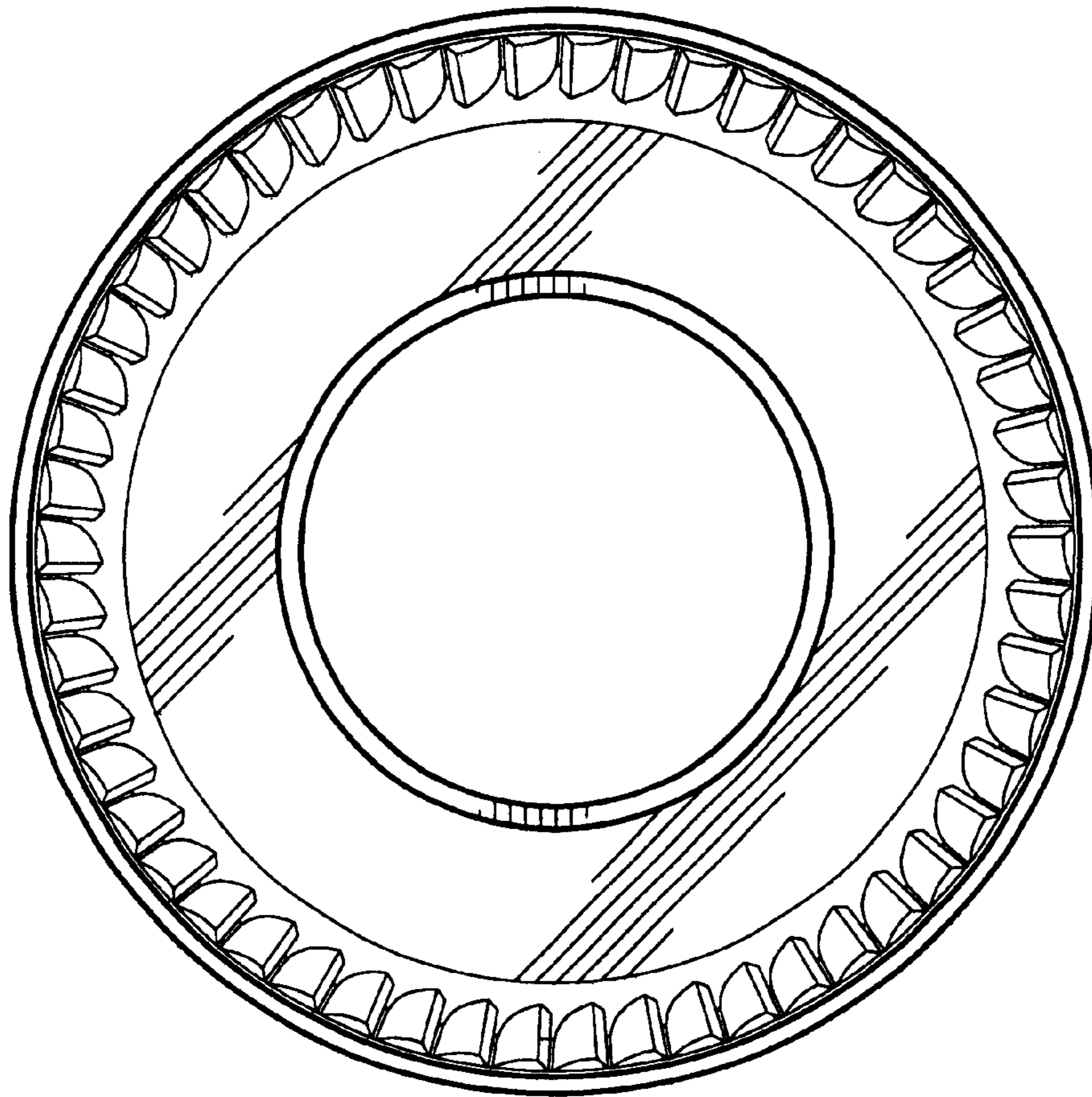


Figure 3