



US00D516910S

(12) **United States Design Patent**  
**Bresler**

(10) **Patent No.:** **US D516,910 S**  
(45) **Date of Patent:** **\*\* Mar. 14, 2006**

- (54) **LID FOR A CUP**
  - (75) Inventor: **Lewis Bresler**, Phoenix, AZ (US)
  - (73) Assignee: **Wincup Holdings, Inc.**, Phoenix, AZ (US)
  - (\*\*) Term: **14 Years**
  - (21) Appl. No.: **29/199,672**
  - (22) Filed: **Feb. 17, 2004**
  - (51) **LOC (8) Cl.** ..... **09-07**
  - (52) **U.S. Cl.** ..... **D9/447; D9/454**
  - (58) **Field of Classification Search** ..... D9/454, D9/449, 447, 445, 439, 438, 435; D7/638, D7/511, 510, 392, 392.1; D3/323; 220/270-271, 220/709, 718; 215/254
- See application file for complete search history.

- D297,089 S 8/1988 West
- D297,090 S 8/1988 West
- 4,948,009 A \* 8/1990 Sawatani ..... 220/709
- D314,514 S \* 2/1991 Ten Eyck et al. .... D9/447
- D319,982 S \* 9/1991 Matthews ..... D9/447
- 5,273,176 A \* 12/1993 Diaz ..... 220/718
- D353,297 S 12/1994 Sokolski et al.
- 5,397,023 A \* 3/1995 Toczek et al. .... 220/709
- D359,687 S \* 6/1995 Arshinoff ..... D6/447
- 5,433,337 A 7/1995 Willbrandt
- D383,038 S 9/1997 Willbrandt
- 5,769,266 A 6/1998 Willbrandt
- D436,295 S 1/2001 Furman et al.
- D446,687 S 8/2001 Furman et al.
- 6,427,864 B1 \* 8/2002 Asselin ..... 220/709
- D471,064 S 3/2003 Renz
- D472,427 S 4/2003 Dretzka
- D495,600 S \* 9/2004 Kouri ..... D9/435

\* cited by examiner

*Primary Examiner*—Robert M. Spear  
*Assistant Examiner*—Susan Bennett Hattan  
(74) *Attorney, Agent, or Firm*—Woodcock Washburn LLP

(56) **References Cited**  
U.S. PATENT DOCUMENTS

- 2,816,697 A 12/1957 Amberg
- 2,905,350 A 9/1959 Edwards
- 2,948,453 A \* 8/1960 Drown ..... 220/709
- 3,139,213 A 6/1964 Edwards
- 3,342,370 A 9/1967 Johnson
- D212,352 S 10/1968 Davis
- D212,592 S 11/1968 Metzler
- 3,437,253 A 4/1969 Davis
- 3,484,018 A 12/1969 Davis
- D217,781 S 6/1970 Stone
- D219,432 S 12/1970 Edwards
- 3,773,243 A \* 11/1973 Greene ..... 220/709
- 3,822,030 A \* 7/1974 Tanzer ..... 220/709
- D273,651 S 5/1984 Emrick

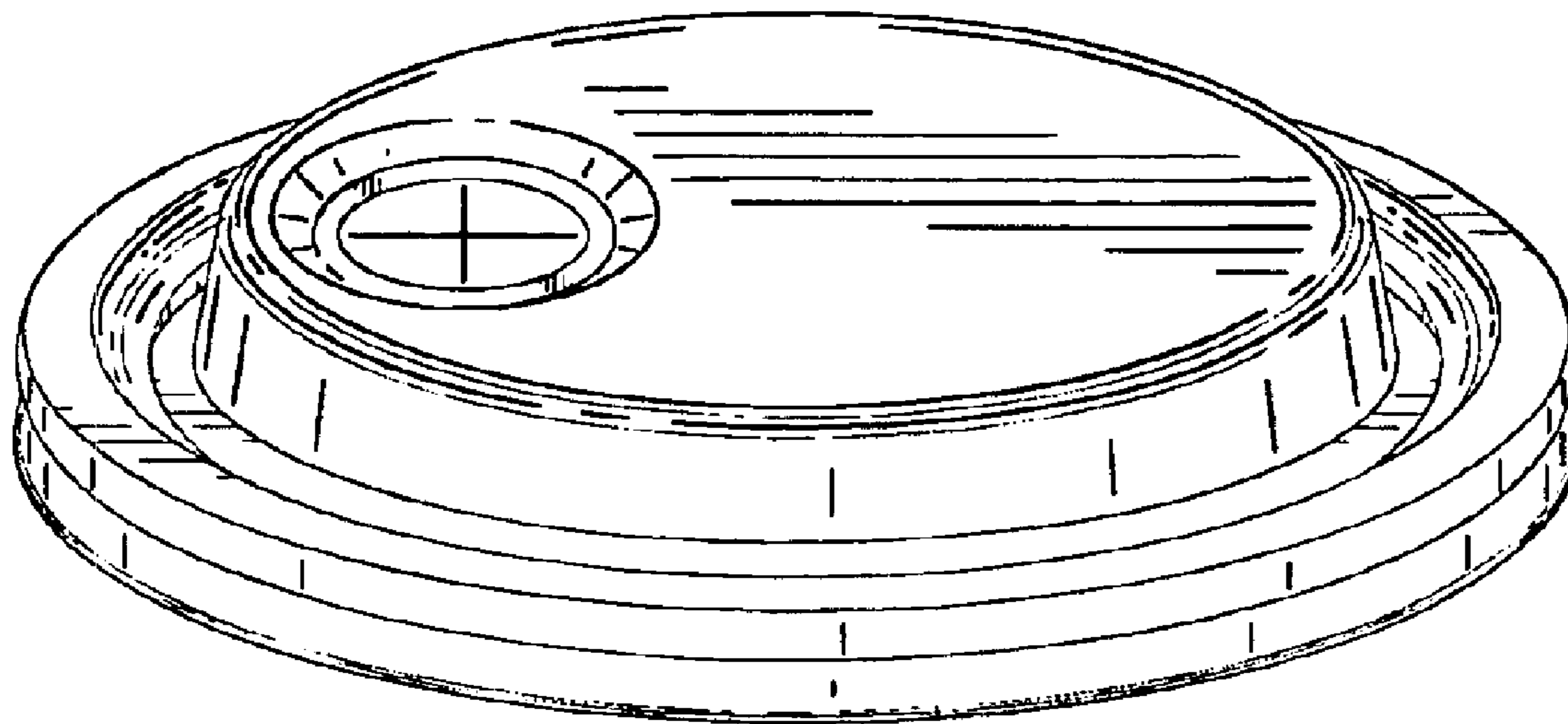
(57) **CLAIM**

The ornamental design for a lid for a cup, as shown and described.

**DESCRIPTION**

FIG. 1 is a perspective view of a lid for a cup showing my new design.  
FIG. 2 is a side elevational view thereof, all sides being the same.  
FIG. 3 is a top plan view of the lid for a cup of FIG. 1; and, FIG. 4 is a bottom plan view of the lid for a cup of FIG. 1.

**1 Claim, 2 Drawing Sheets**



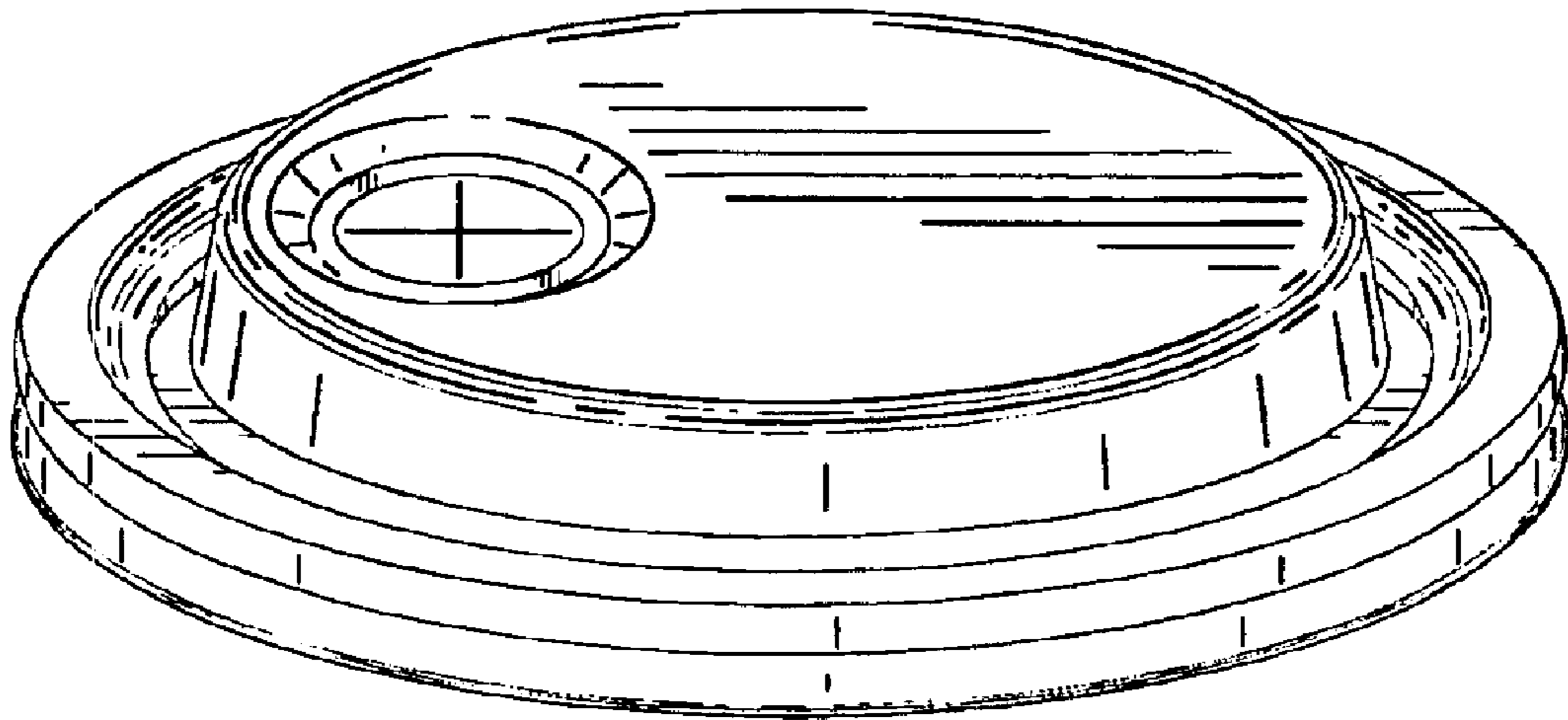


FIG. 1

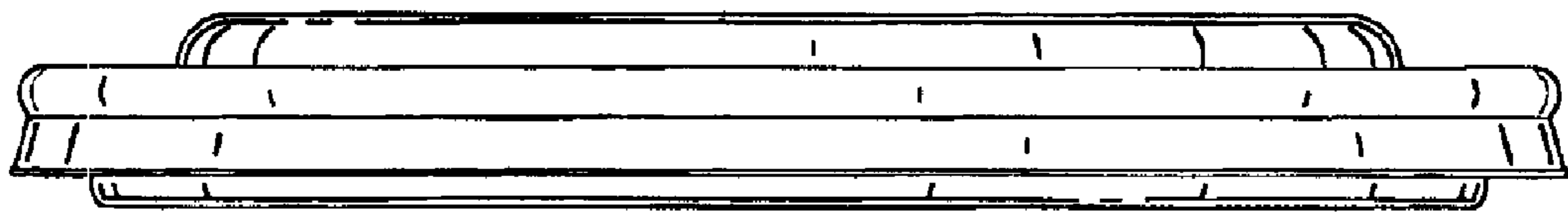


FIG. 2

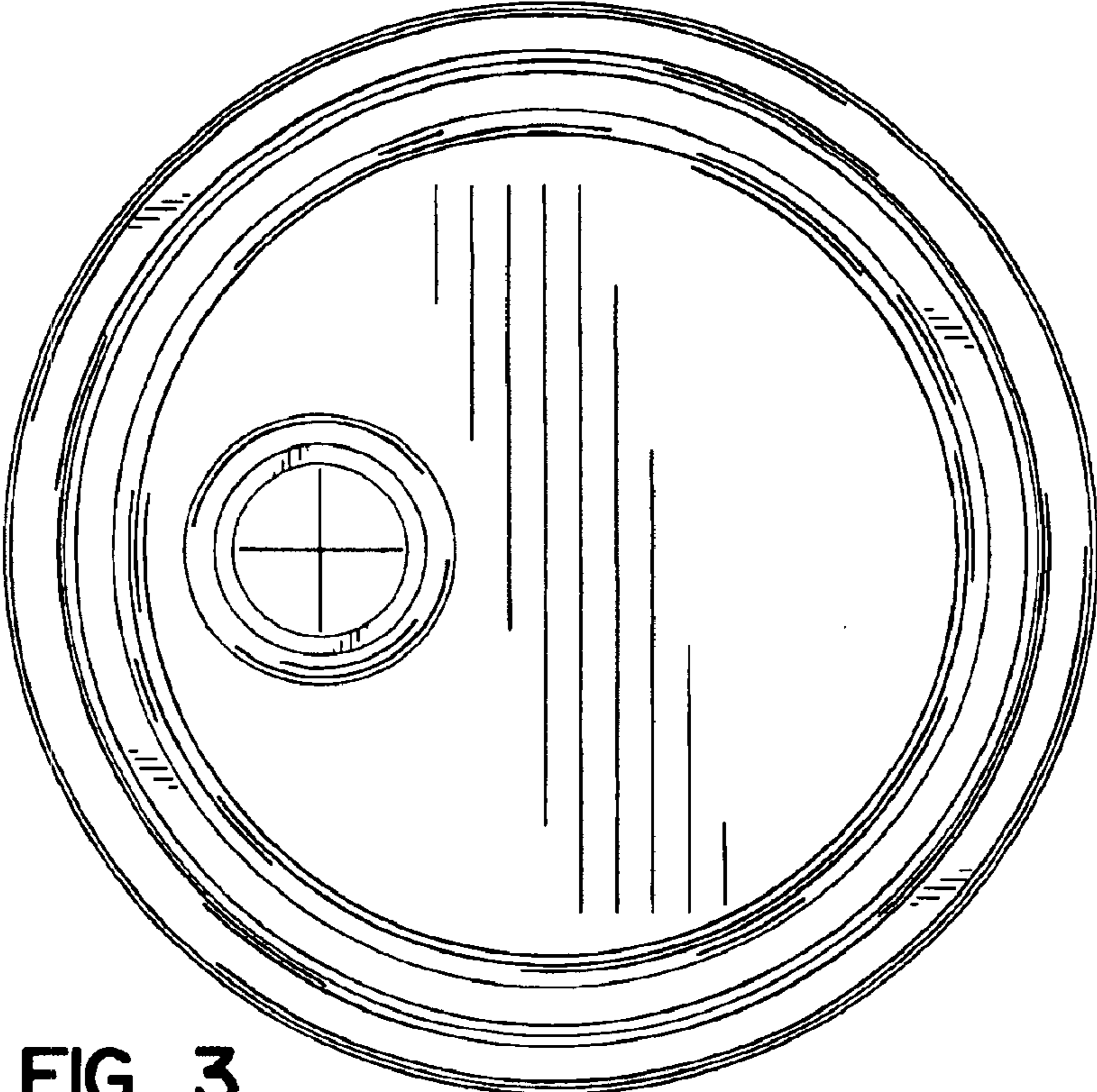


FIG. 3

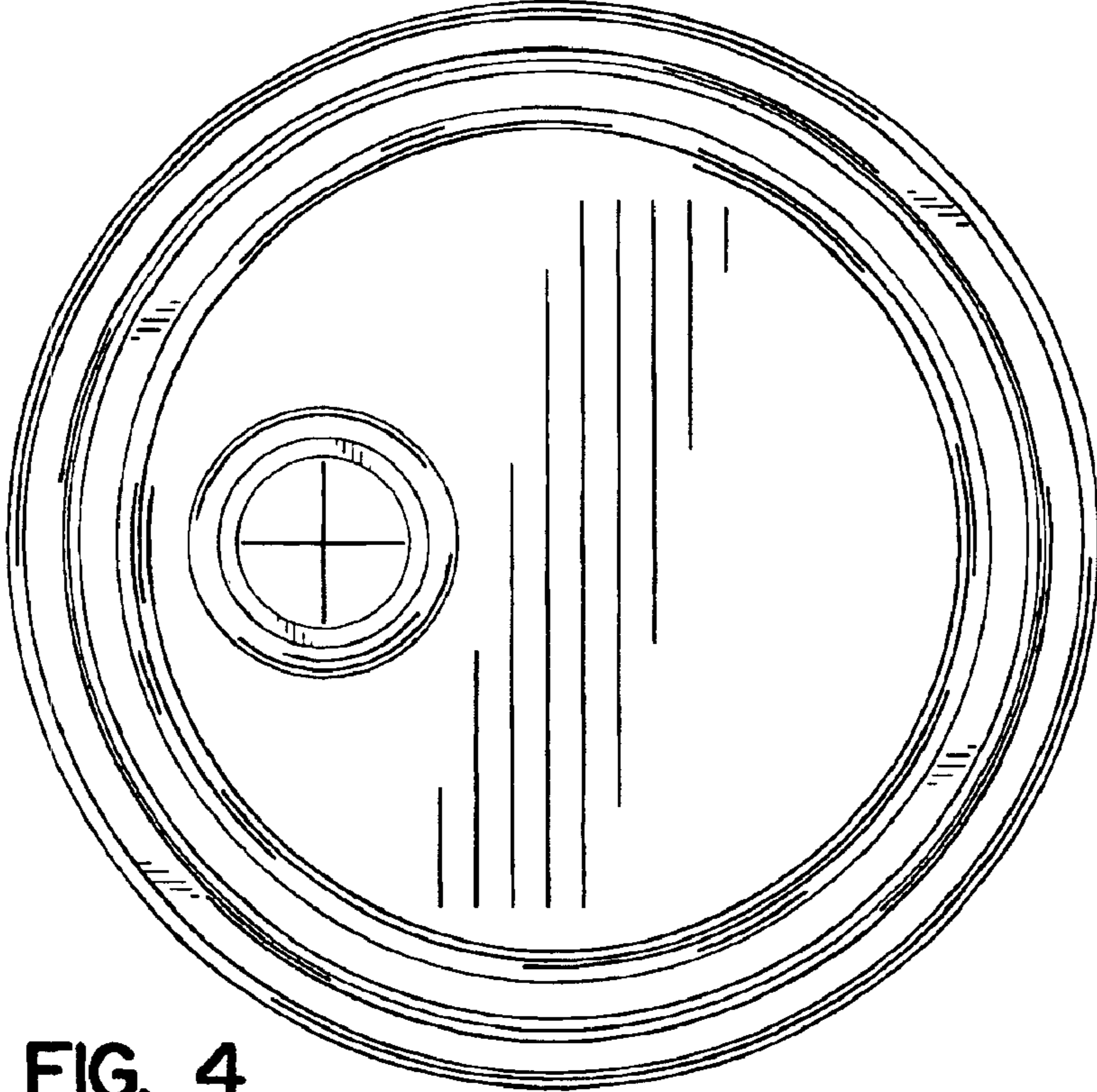


FIG. 4