



US00D516908S

(12) **United States Design Patent** (10) **Patent No.:** **US D516,908 S**  
**Burr et al.** (45) **Date of Patent:** **\*\* Mar. 14, 2006**

(54) **HANDLE**

(75) Inventors: **Brian M. Burr**, Oceanside, CA (US);  
**Carl Wesley Truly**, Oceanside, CA (US)

(73) Assignee: **Grabb-It Inc.**, Oceanside, CA (US)

(\*\*) Term: **14 Years**

(21) Appl. No.: **29/192,981**

(22) Filed: **Oct. 30, 2003**

(51) **LOC (8) Cl.** ..... **09-07**

(52) **U.S. Cl.** ..... **D9/434**

(58) **Field of Classification Search** ..... D9/434,  
D9/433, 432; 220/528; 229/117.16, 117.9,  
229/117.17, 103, 103.3, 116.1, 5.5, 906, 122;  
294/171, 137, 25

See application file for complete search history.

(56) **References Cited**

**U.S. PATENT DOCUMENTS**

1,691,467 A	11/1928	Carver	
2,215,116 A	9/1940	Crary	
D127,003 S	5/1941	Gibo	
2,274,605 A	2/1942	Hoffmeister	
2,501,037 A	3/1950	Fox	
2,796,210 A	6/1957	Phillips	
3,283,889 A	11/1966	Hetrick et al.	
3,314,592 A	4/1967	Streich	
3,446,416 A *	5/1969	Epstein	294/25

(Continued)

**FOREIGN PATENT DOCUMENTS**

AT	196775	3/1958
CA	2051019	3/1993
DE	3528037 A1	2/1987
DE	3918355 A1	12/1990
EP	0 085 524 A1	8/1983

GB	2 147 800 A	5/1985
GB	2 241 432 A	9/1991
GB	2 246 285 A	1/1992
GB	2 255 497 A	11/1992

**OTHER PUBLICATIONS**

European Search Report for EP 0 085 524 A1, Podes, May 9, 1983.

Lundstrum, Meg, Raising the Roof with Floor Ads, Business Week, Sep. 16, 1999, The McGraw.

*Primary Examiner*—Gary D. Watson

*Assistant Examiner*—Susan Bennett-Hattan

(74) *Attorney, Agent, or Firm*—Kilpatrick Stockton LLP

(57) **CLAIM**

The ornamental design for a handle, as shown and described.

**DESCRIPTION**

FIG. 1 is a top view of a handle showing our new design in an unfolded condition, the bottom view being the same, according to a first embodiment;

FIG. 2 is a front edge view thereof;

FIG. 3 is a rear edge view thereof;

FIG. 4 is a right edge view thereof, the left edge view being the same;

FIG. 5 is a perspective view thereof, showing the handle in a folded condition.

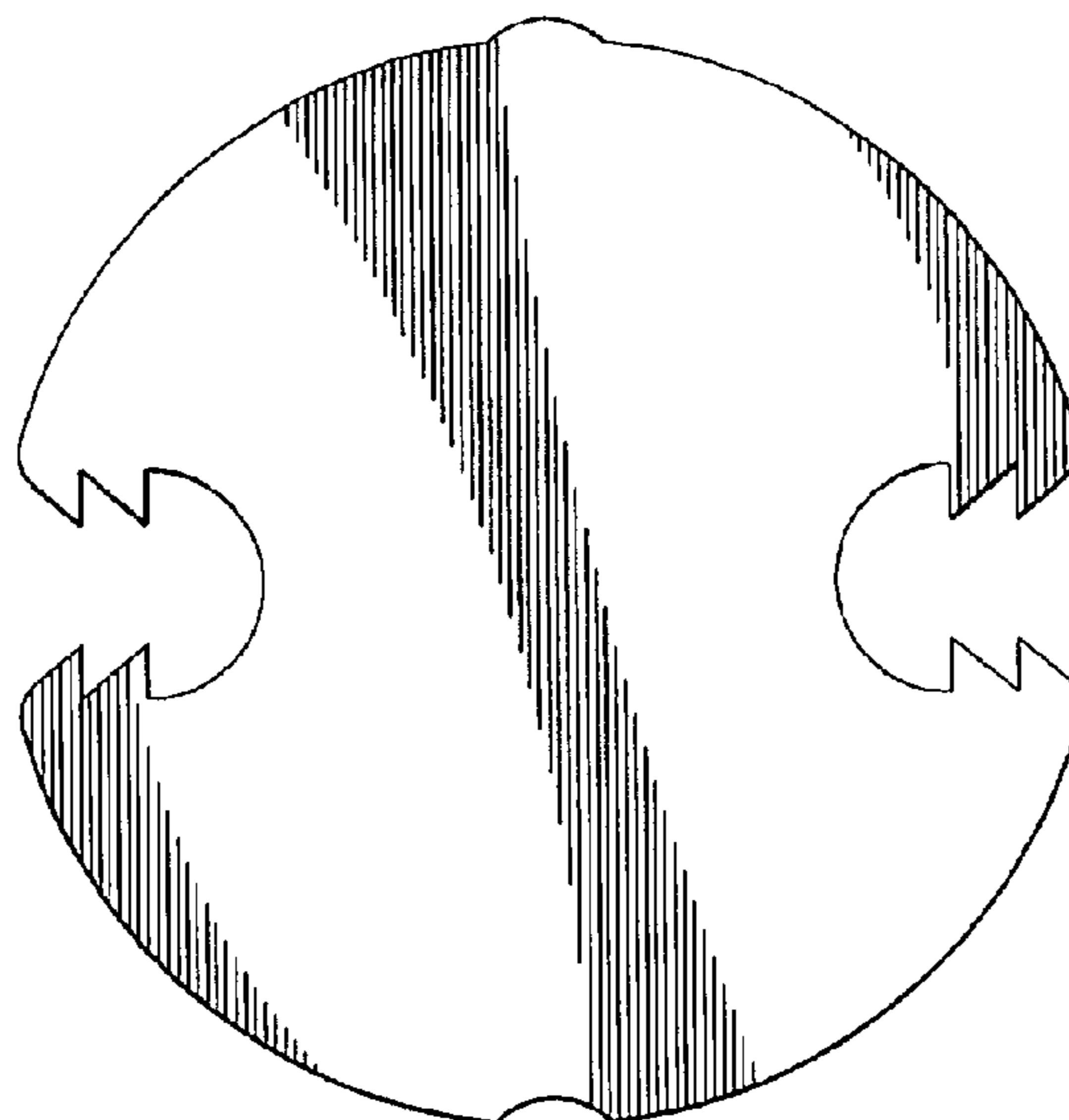
FIG. 6 is a top view of a handle showing our new design in an unfolded condition, the bottom view being the same, according to a second embodiment;

FIG. 7 is a right front view thereof, the rear edge view being the same;

FIG. 8 is a right edge view thereof, the left edge view being the same; and,

FIG. 9 is a perspective view thereof, showing the handle in a folded condition.

**1 Claim, 3 Drawing Sheets**



# US D516,908 S

Page 2

## U.S. PATENT DOCUMENTS

D216,637 S	2/1970	Hermalin	5,487,582 A	1/1996	Bourgeois et al.
3,610,510 A	10/1971	Hermalin	5,599,052 A	2/1997	Van Davelaar
D227,660 S	7/1973	Konno	D380,382 S	7/1997	Rhone et al.
3,804,323 A	4/1974	Bemel	5,658,029 A	8/1997	Franko
D239,919 S	5/1976	Wilson	D395,602 S	6/1998	Sakko
4,262,385 A	4/1981	Norman	5,775,757 A	7/1998	Tipp
4,417,609 A	11/1983	Sherwood	5,881,432 A	3/1999	Good
D286,268 S	* 10/1986	Wolff ..... D9/434	D408,259 S	4/1999	Hagen
4,617,215 A	10/1986	Telesco	5,992,803 A	11/1999	LeRoux
4,796,940 A	1/1989	Rimland	5,996,180 A	12/1999	Eisenzopf
D307,712 S	5/1990	Ralls et al.	D418,753 S	1/2000	DuBow
4,920,675 A	5/1990	Mashimo	D438,797 S	3/2001	Bozlee
4,932,702 A	6/1990	Sweeny	D442,085 S	5/2001	Bozlee
4,938,515 A	7/1990	Fazio	D451,389 S	12/2001	Bozlee
4,982,989 A	1/1991	Sweeny	D451,390 S	12/2001	Bozlee
5,005,891 A	4/1991	Lunsford	D451,391 S	12/2001	Bozlee
D317,246 S	6/1991	Driscoll	6,354,645 B1	3/2002	Bozlee
D325,156 S	4/1992	Sweeny	6,481,771 B1	* 11/2002	Friedman ..... 294/171
5,257,845 A	11/1993	McConnell	D466,810 S	12/2002	Ekkert
5,368,393 A	11/1994	Normann	D480,645 S	10/2003	Putnam
5,395,298 A	3/1995	Moesmann	D493,108 S	7/2004	Burr et al.
5,425,497 A	6/1995	Sorensen	D496,587 S	* 9/2004	Burr et al. .... D9/434
D363,876 S	11/1995	Morissette	D498,141 S	* 11/2004	Burr et al. .... D9/434

\* cited by examiner

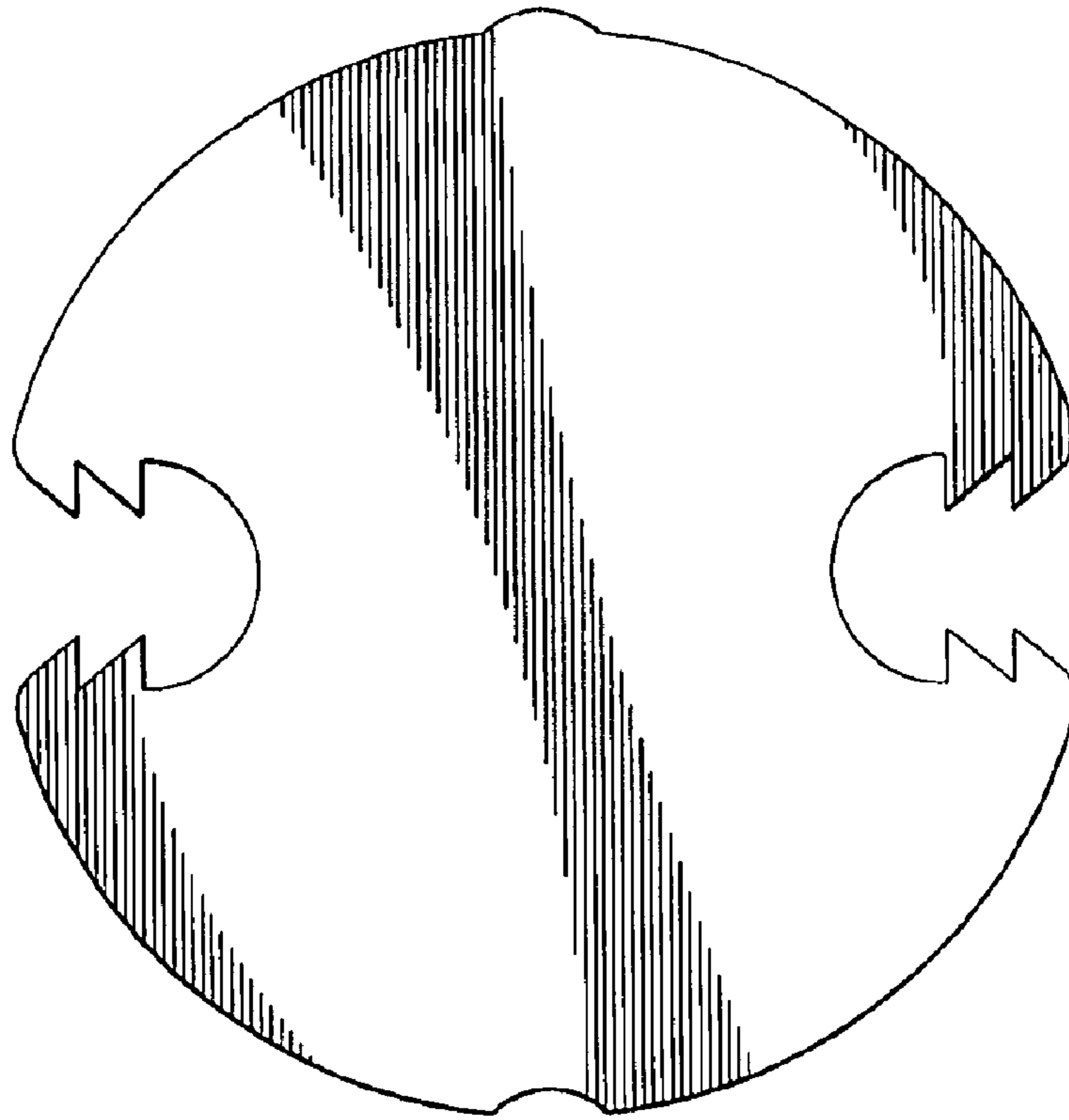


FIG. 1



FIG. 2



FIG. 3



FIG. 4

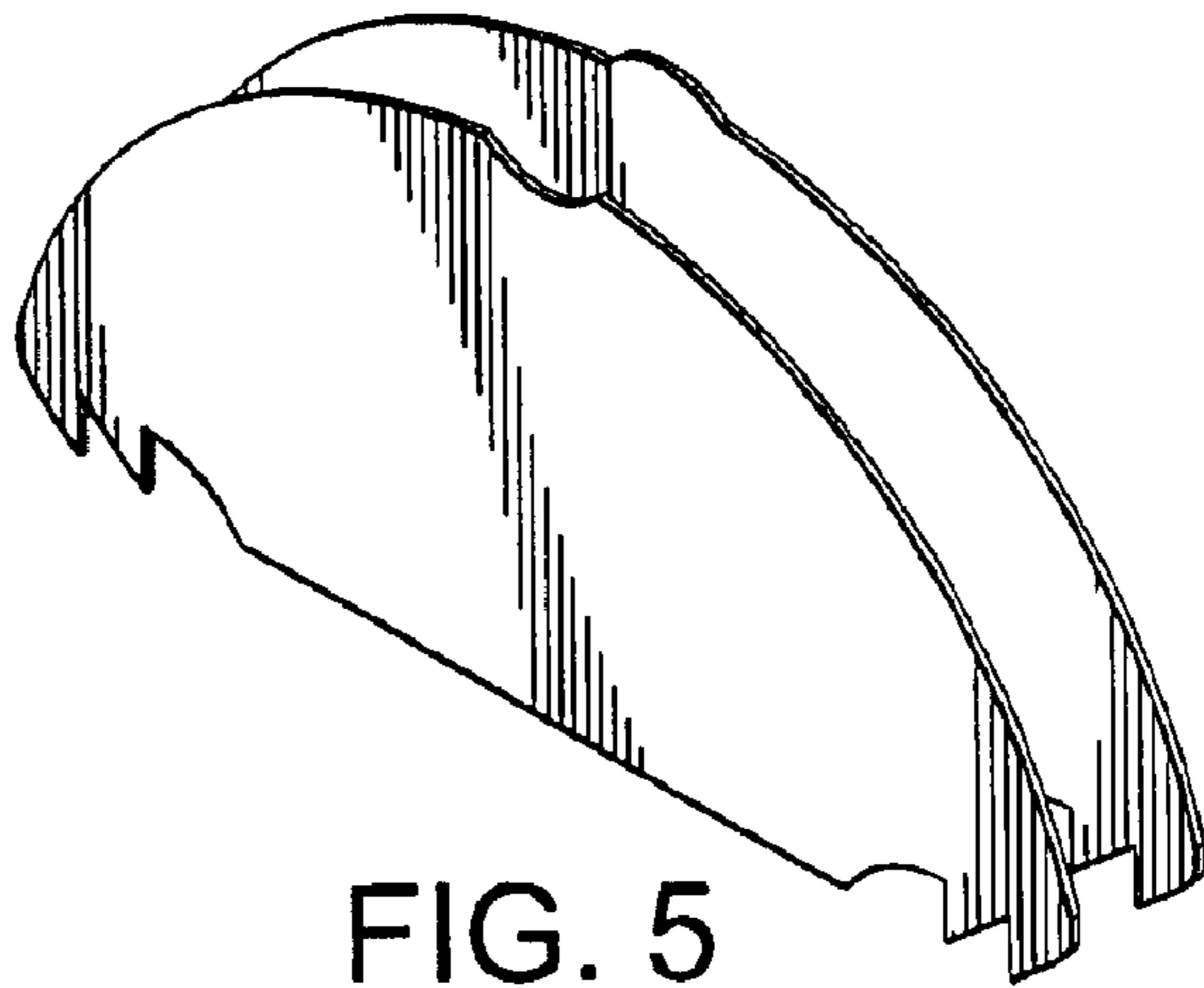


FIG. 5



FIG. 8

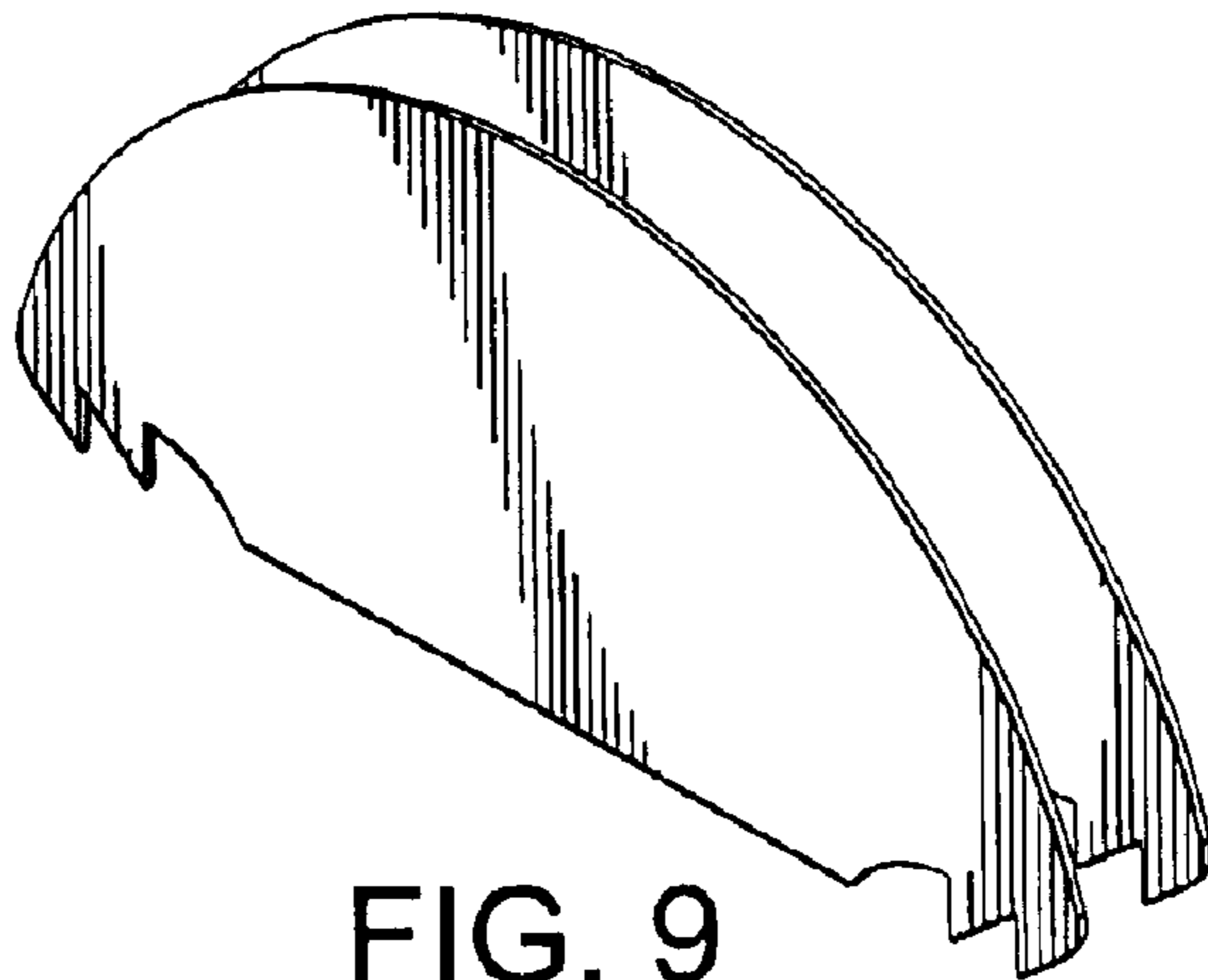


FIG. 9

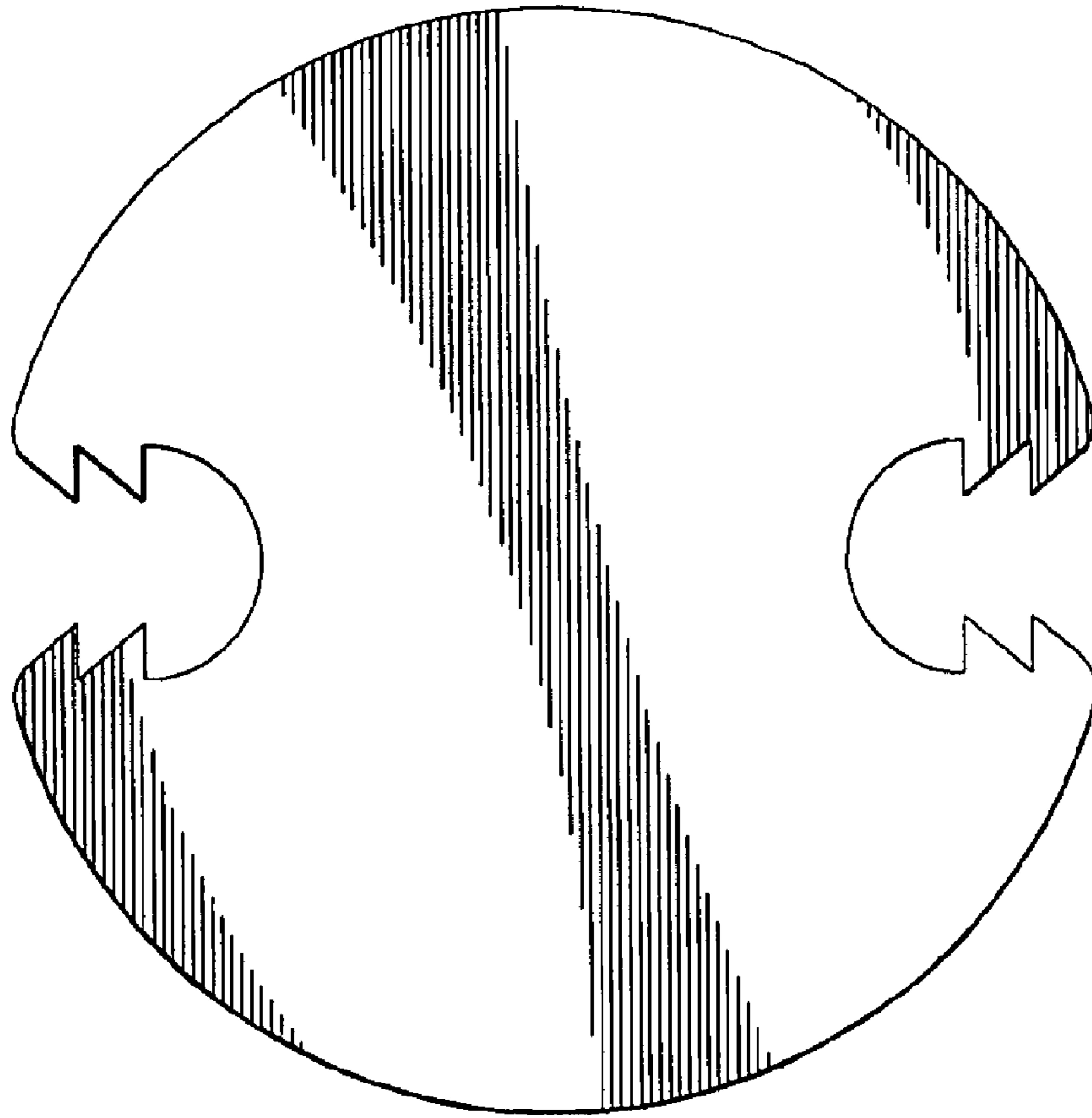


FIG. 6



FIG. 7