



US00D516907S

(12) **United States Design Patent**
Tada

(10) **Patent No.:** **US D516,907 S**
(45) **Date of Patent:** **** Mar. 14, 2006**

(54) **CONTAINER PART OF CARRYING TRAY FOR ELECTRONIC COMPONENTS**

6,662,949 B1 * 12/2003 Zheng et al. 206/499

FOREIGN PATENT DOCUMENTS

(75) Inventor: **Kenichi Tada**, Ome (JP)

JP 1151228 8/2002

(73) Assignee: **Nippon Chemi-Con Corporation**, Tokyo (JP)

JP 2003-020095 1/2003

* cited by examiner

(**) Term: **14 Years**

Primary Examiner—Stella Reid

Assistant Examiner—Mark A. Goodwin

(21) Appl. No.: **29/186,227**

(74) *Attorney, Agent, or Firm*—Connolly Bove Lodge & Hutz LLP

(22) Filed: **Jul. 14, 2003**

(30) **Foreign Application Priority Data**

Feb. 7, 2003 (JP) 2003-002923

(57) **CLAIM**

The ornamental design for a container part of carrying tray for electronic components, as shown and described.

(51) **LOC (8) Cl.** **09-03**

DESCRIPTION

(52) **U.S. Cl.** **D9/424; D9/456**

(58) **Field of Classification Search** D9/737, D9/456, 756-760, 414, 424, 425, 755, 434, D9/435, 499; D3/313, 314; 206/444, 445, 206/503, 557, 561, 564, 565, 449

FIG. 1 is a front elevational view of a container part of carrying tray for electronic components showing my new design;

FIG. 2 is a rear elevational view thereof;

FIG. 3 is a top plan view thereof (the bottom plan view appears symmetrically with the top plan view);

FIG. 4 is a left side elevational view thereof; and,

FIG. 5 is a right side elevational view thereof.

See application file for complete search history.

A part depicted in solid lines in the drawing represents the claimed invention and a part depicted in broken lines does not represent the claimed invention.

The broken line showing of a tray is for illustrative purposes only and forms no part of the claimed design.

(56) **References Cited**

U.S. PATENT DOCUMENTS

D242,291 S * 11/1976 Gerding D24/226

D259,998 S * 7/1981 Wilkerson D9/424

D259,999 S * 7/1981 Wilkerson D9/424

D260,612 S * 9/1981 Wilkerson D9/424

D260,613 S * 9/1981 Wilkerson D9/424

D352,452 S * 11/1994 Asai D9/756

1 Claim, 6 Drawing Sheets

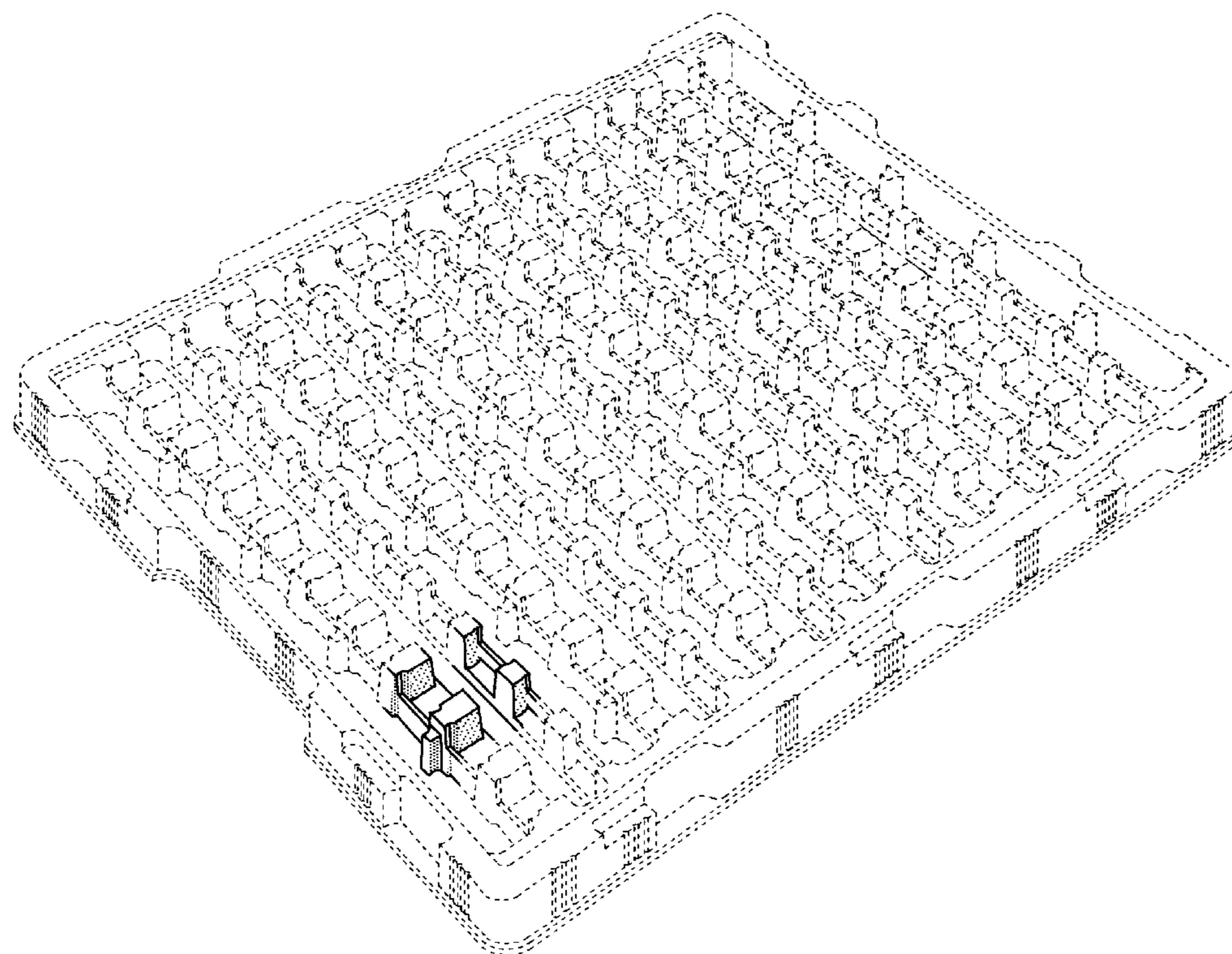


FIG.1

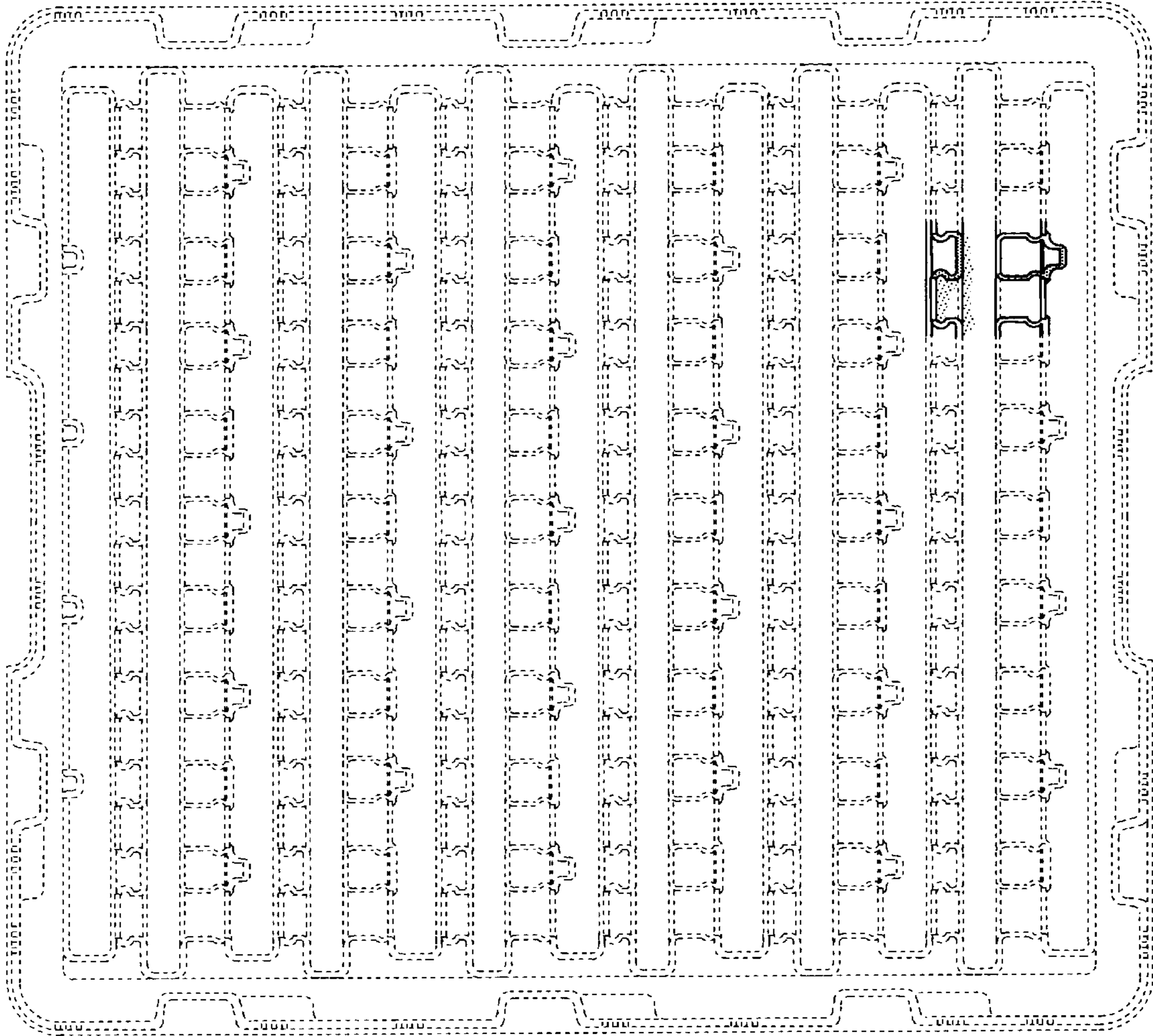


FIG.2

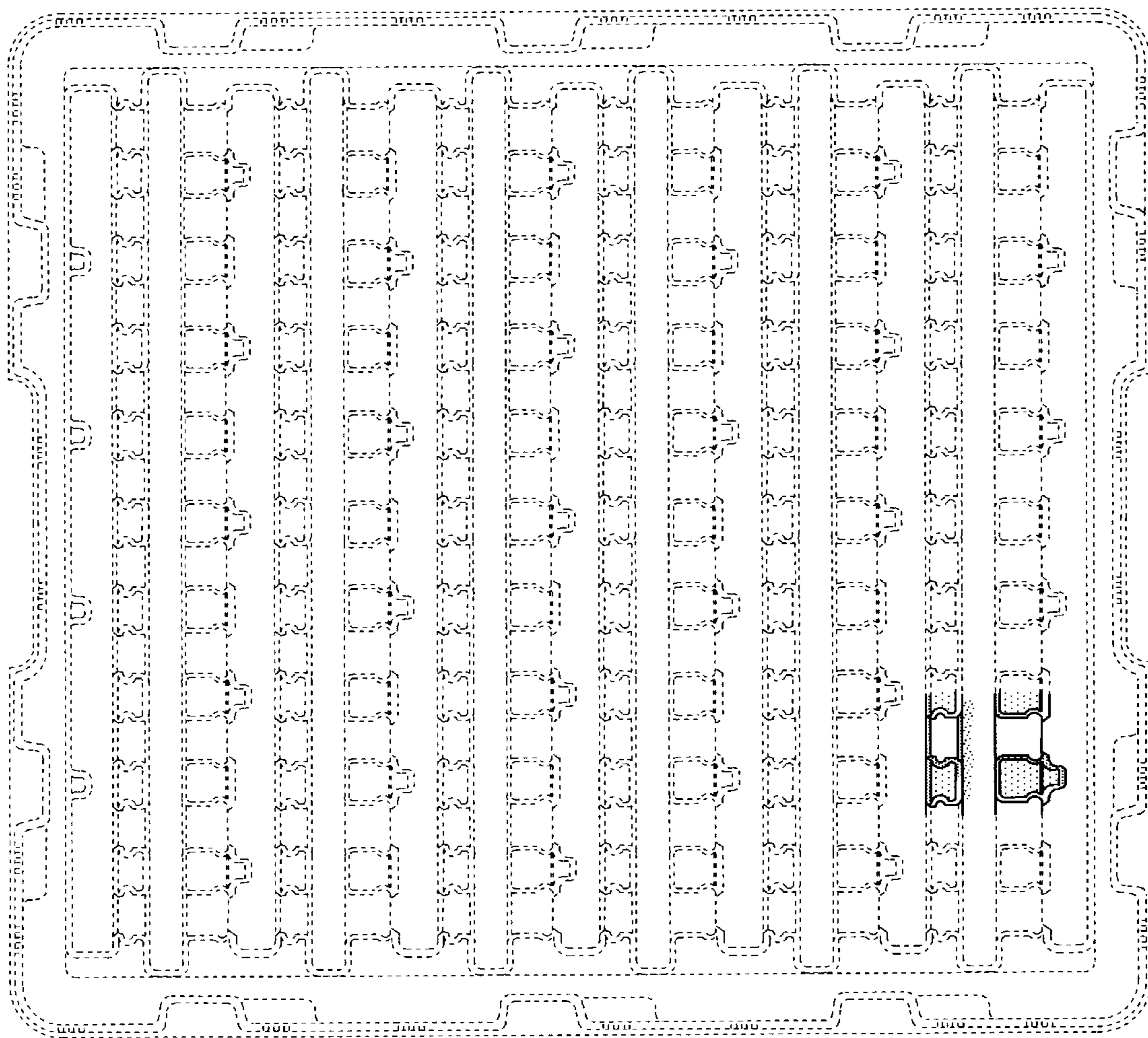


FIG.3

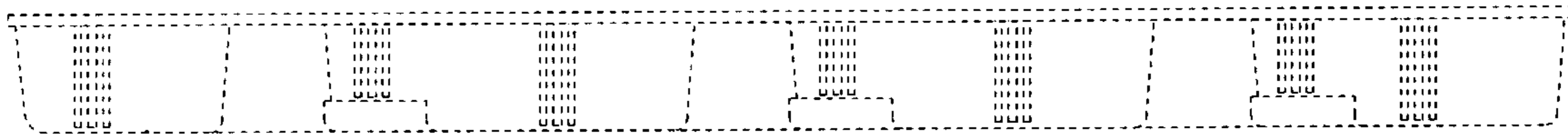


FIG.4

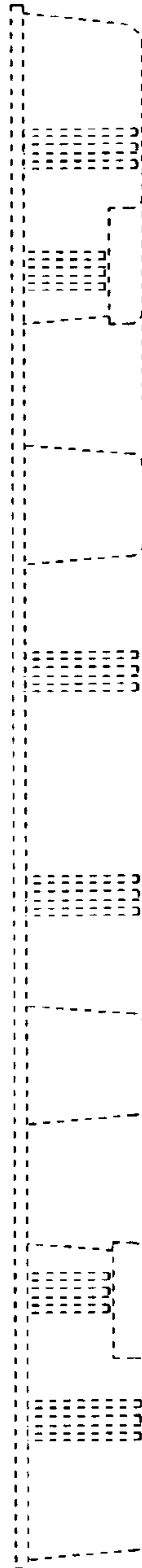


FIG.5

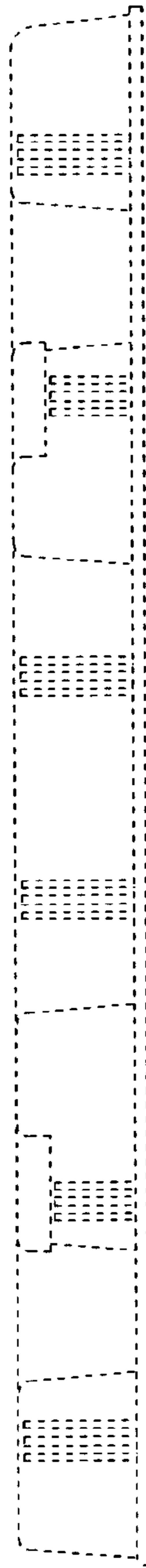


FIG.6

