



US00D516905S

(12) **United States Design Patent** (10) Patent No.: **US D516,905 S**
Cogley et al. (45) Date of Patent: **** Mar. 14, 2006**

(54) **FOOD PACKAGING CARTON WITH SUSCEPTOR TRAY**

(75) Inventors: **Paul Andrew Cogley**, Chicago, IL (US); **Derek Joseph Romeo**, Evanston, IL (US); **Neil Edward Darin**, Grayslake, IL (US)

(73) Assignee: **Kraft Foods Holdings, Inc.**, Northfield, IL (US)

(**) Term: **14 Years**

(21) Appl. No.: **29/231,386**

(22) Filed: **Jun. 3, 2005**

Related U.S. Application Data

(62) Division of application No. 29/200,574, filed on Mar. 1, 2004.

(51) **LOC (8) Cl.** **09-07**

(52) **U.S. Cl.** **D9/416; D9/423; D9/432**

(58) **Field of Classification Search** D9/420, D9/423, 416, 414, 432; 206/497, 821, 541; 229/123.3, 210, 221, 229, 901-906, 938; 219/730-735, 762; 426/107, 234, 114-118, 426/243

See application file for complete search history.

(56) **References Cited**

U.S. PATENT DOCUMENTS

1,361,882 A	*	12/1920	List	206/45.25
4,265,393 A	*	5/1981	Orchard	229/103.3
4,441,626 A	*	4/1984	Hall	229/154
4,738,365 A	*	4/1988	Prater	229/123.3
D311,493 S	*	10/1990	Boone	D9/416
5,445,286 A	*	8/1995	Guimarin	229/117.34
5,542,540 A	*	8/1996	Knapp et al.	206/525
5,556,026 A	*	9/1996	Blankitny	229/123.1
5,743,402 A	*	4/1998	Gics	206/459.5
D406,759 S	*	3/1999	Lawrence	D9/430
6,359,272 B1	*	3/2002	Sadek et al.	219/732
D462,264 S	*	9/2002	Barr et al.	D9/416

* cited by examiner

Primary Examiner—Prabhakar Deshmukh

(74) *Attorney, Agent, or Firm*—Fitch, Even, Tabin & Flannery

(57) **CLAIM**

The ornamental design for a food packaging carton with susceptor tray, as shown and described.

DESCRIPTION

FIG. 1 is a perspective view of a carton showing the new design.

The sides not shown are disclaimed.

1 Claim, 1 Drawing Sheet

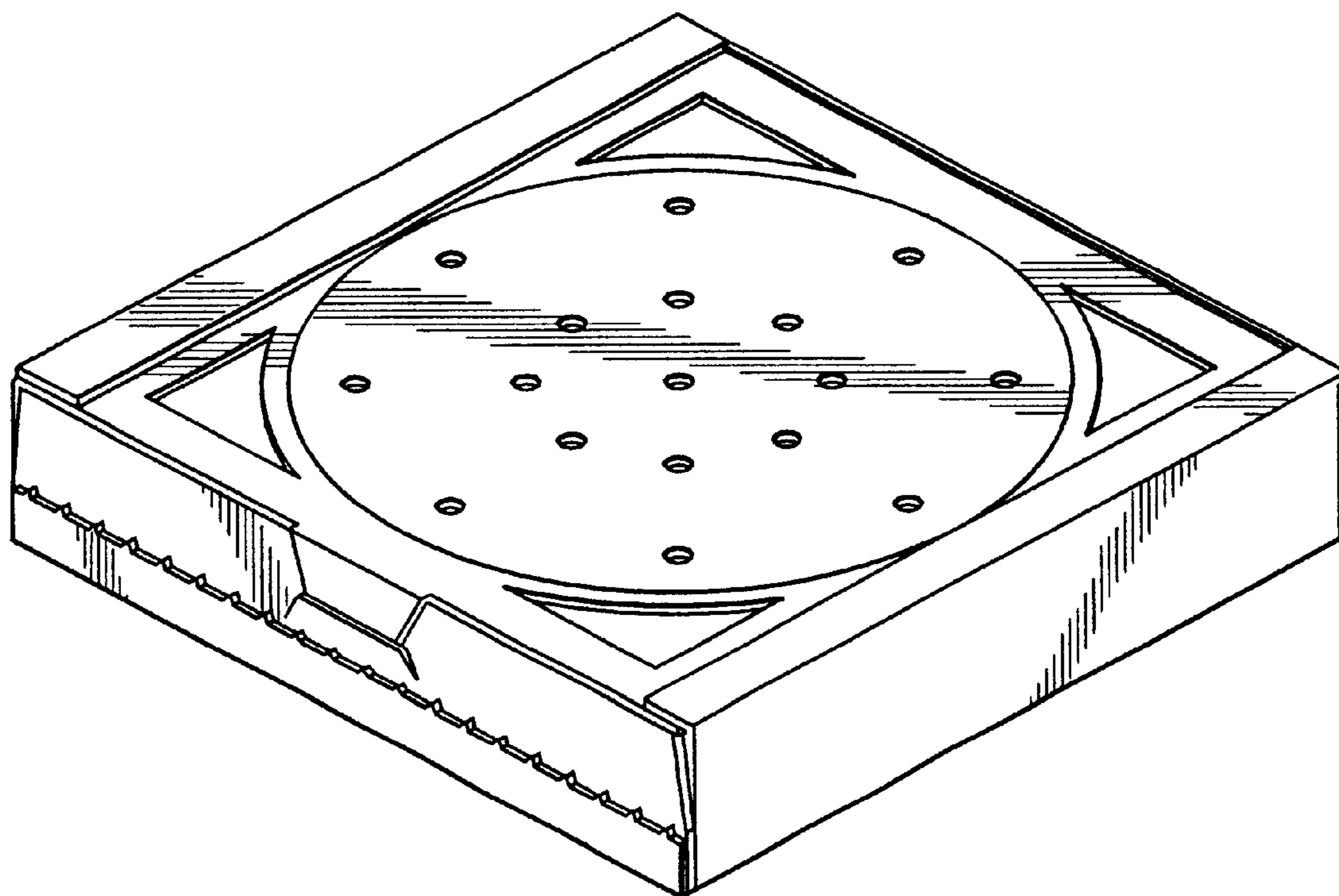


Fig. 1

