



US00D516904S

(12) **United States Design Patent**
Kendrick

(10) **Patent No.:** **US D516,904 S**
(45) **Date of Patent:** **** Mar. 14, 2006**

(54) **CLIP**

(76) **Inventor:** **Kathleen S. Kendrick**, 21 Lincoln St.,
Weston, MA (US) 02493

(**) **Term:** **14 Years**

(21) **Appl. No.:** **29/196,348**

(22) **Filed:** **Dec. 29, 2003**

(51) **LOC (8) Cl.** **08-08**

(52) **U.S. Cl.** **D8/395**

(58) **Field of Classification Search** D8/356,
D8/371, 394-396; 248/72.2, 215, 227.1,
248/49, 300, 301, 316.7, 51, 489; 24/22,
24/67 R, 20 S, 115 R, 546, 563, 343; D19/65
See application file for complete search history.

(56) **References Cited**

U.S. PATENT DOCUMENTS

- D30,630 S * 4/1899 Caldwell D8/395
- D224,406 S * 7/1972 Heck D13/120
- D229,392 S * 11/1973 Faust D8/394
- 4,332,060 A * 6/1982 Sato 24/67.9

4,497,091 A * 2/1985 Elliott 24/67.9

* cited by examiner

Primary Examiner—Louis S. Zarfes

Assistant Examiner—John Windmuller

(74) *Attorney, Agent, or Firm*—William Nitkin

(57) **CLAIM**

The ornamental design for a clip, as shown and described.

DESCRIPTION

FIG. 1 is a side perspective view of a clip showing my new design;

FIG. 2 is a top plan view thereof;

FIG. 3 is a bottom plan view thereof;

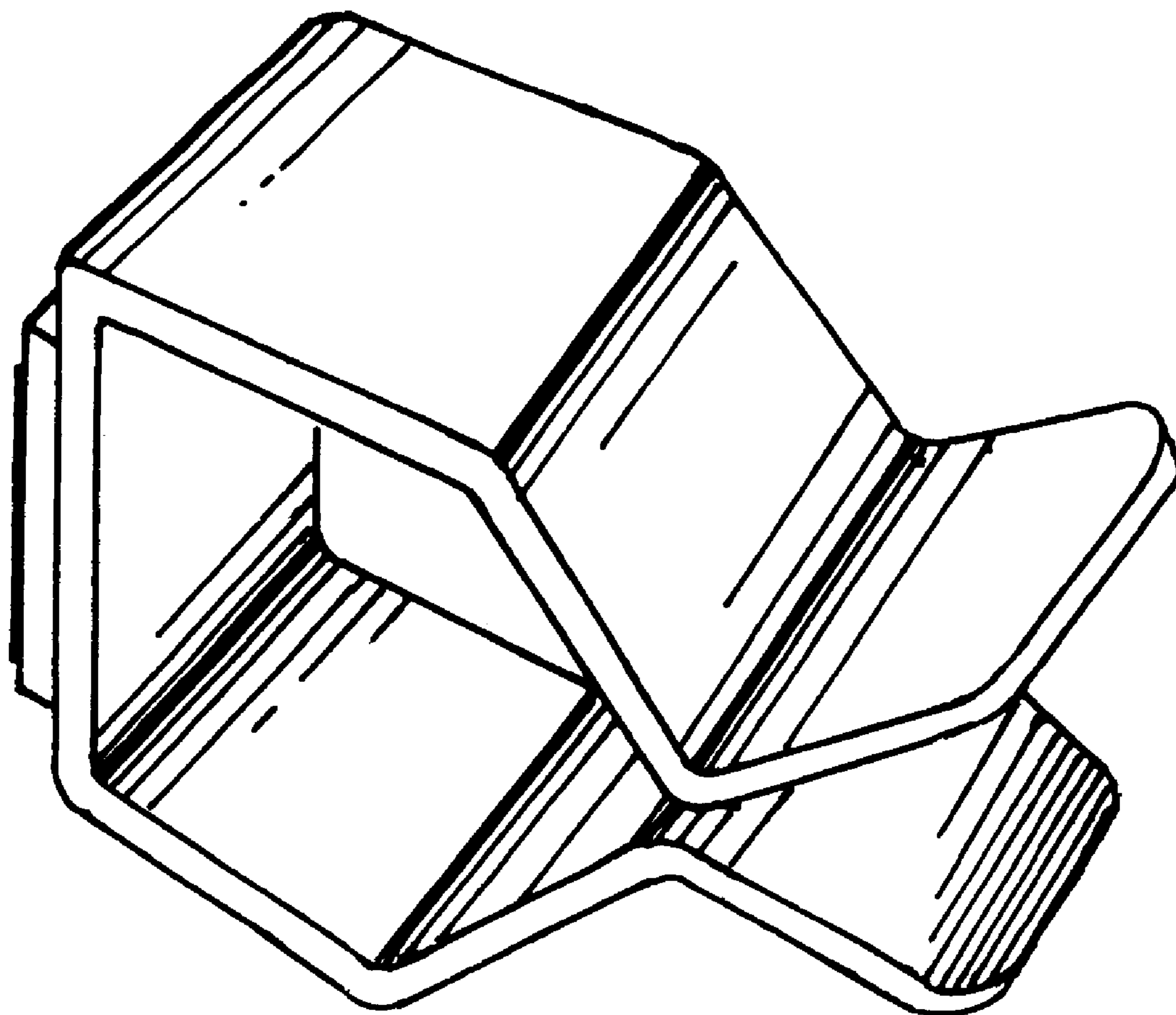
FIG. 4 is a left side elevational view thereof with portions shown in broken lines forming no part of the claimed design;

FIG. 5 is a right side elevational view thereof with portions shown in broken lines forming no part of the claimed design;

FIG. 6 is a rear elevational view thereof; and,

FIG. 7 is a front elevational view thereof with portions shown in broken lines forming no part of the claimed design.

1 Claim, 1 Drawing Sheet



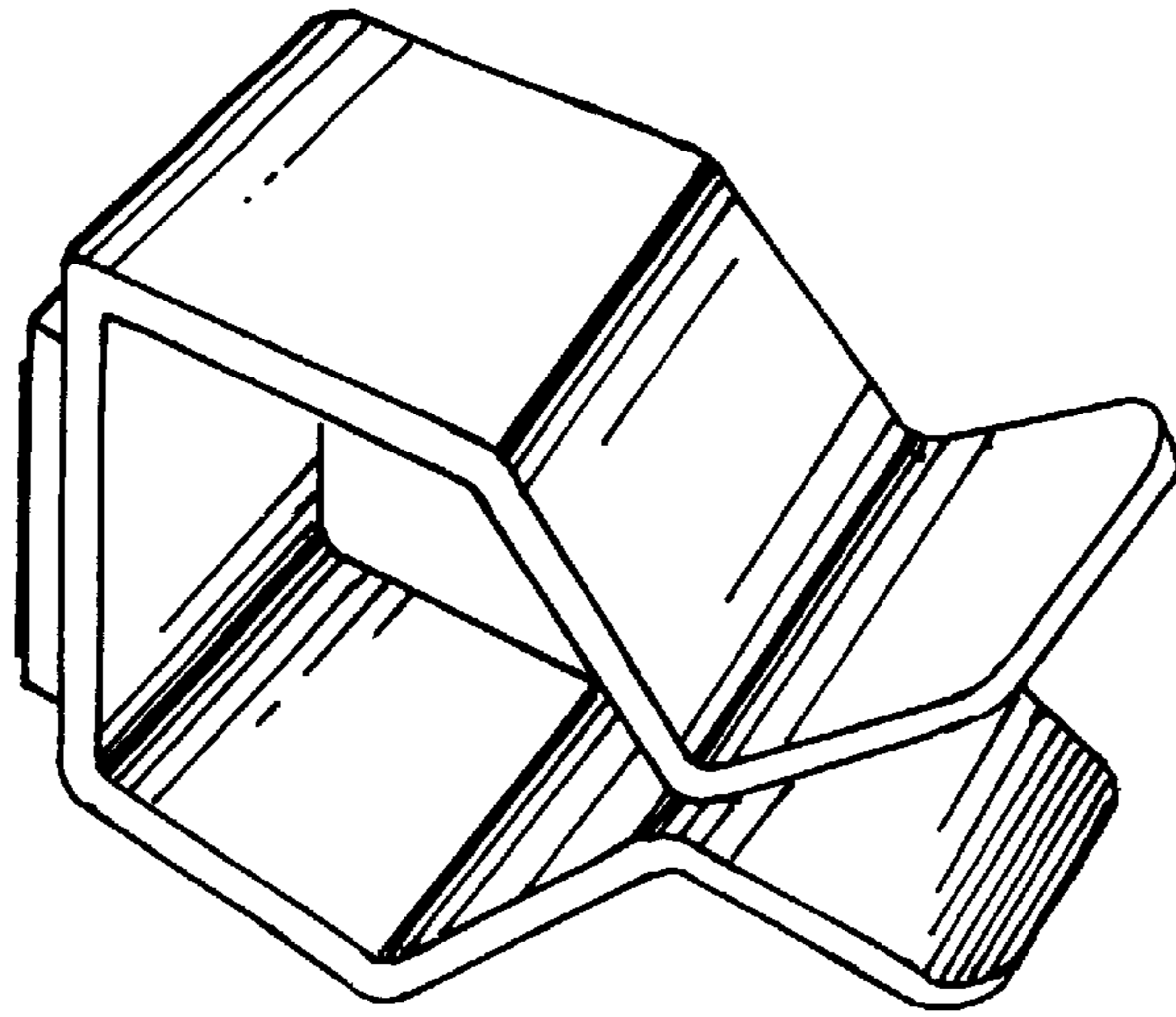


FIG. 1

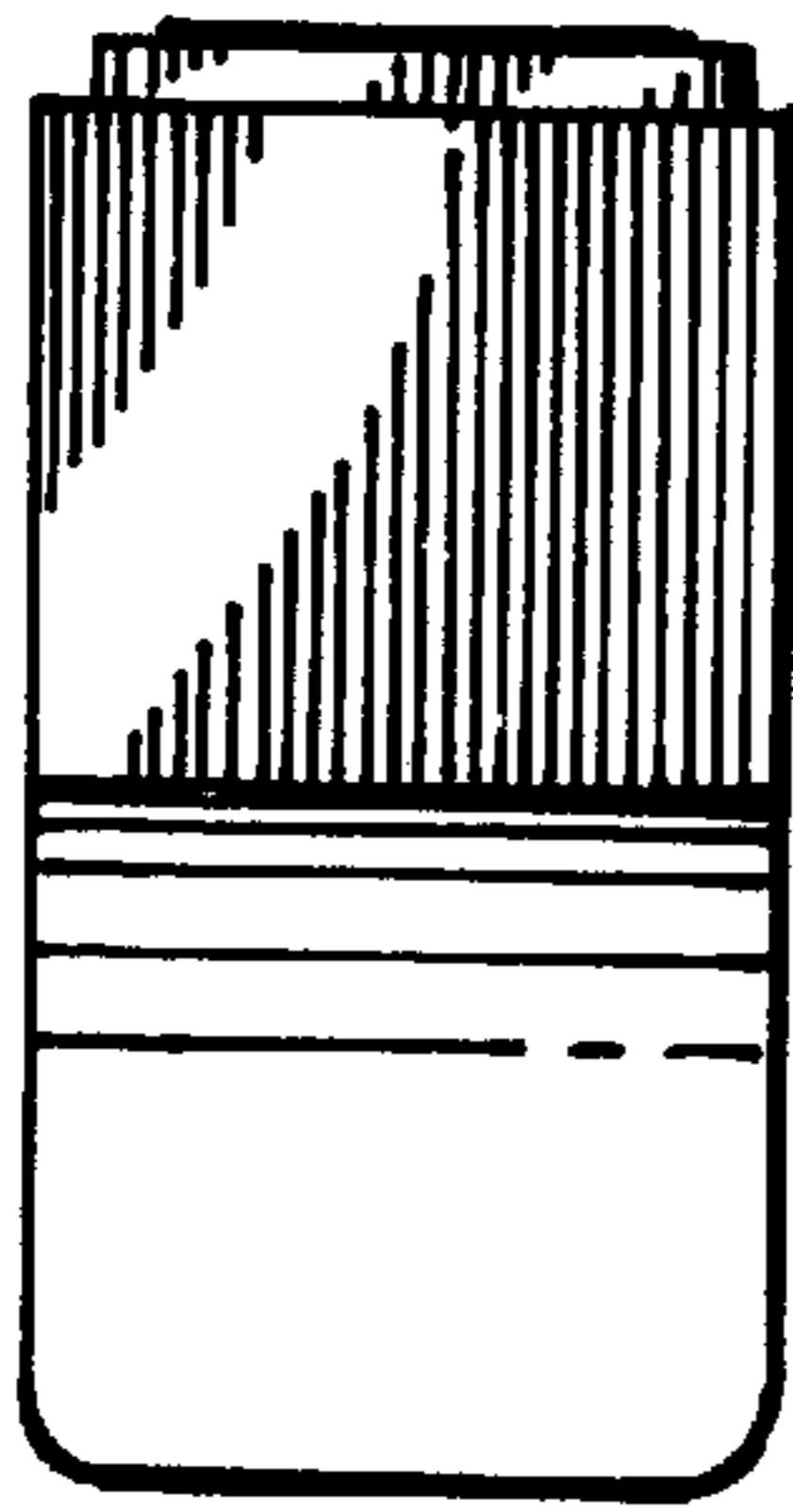


FIG. 2

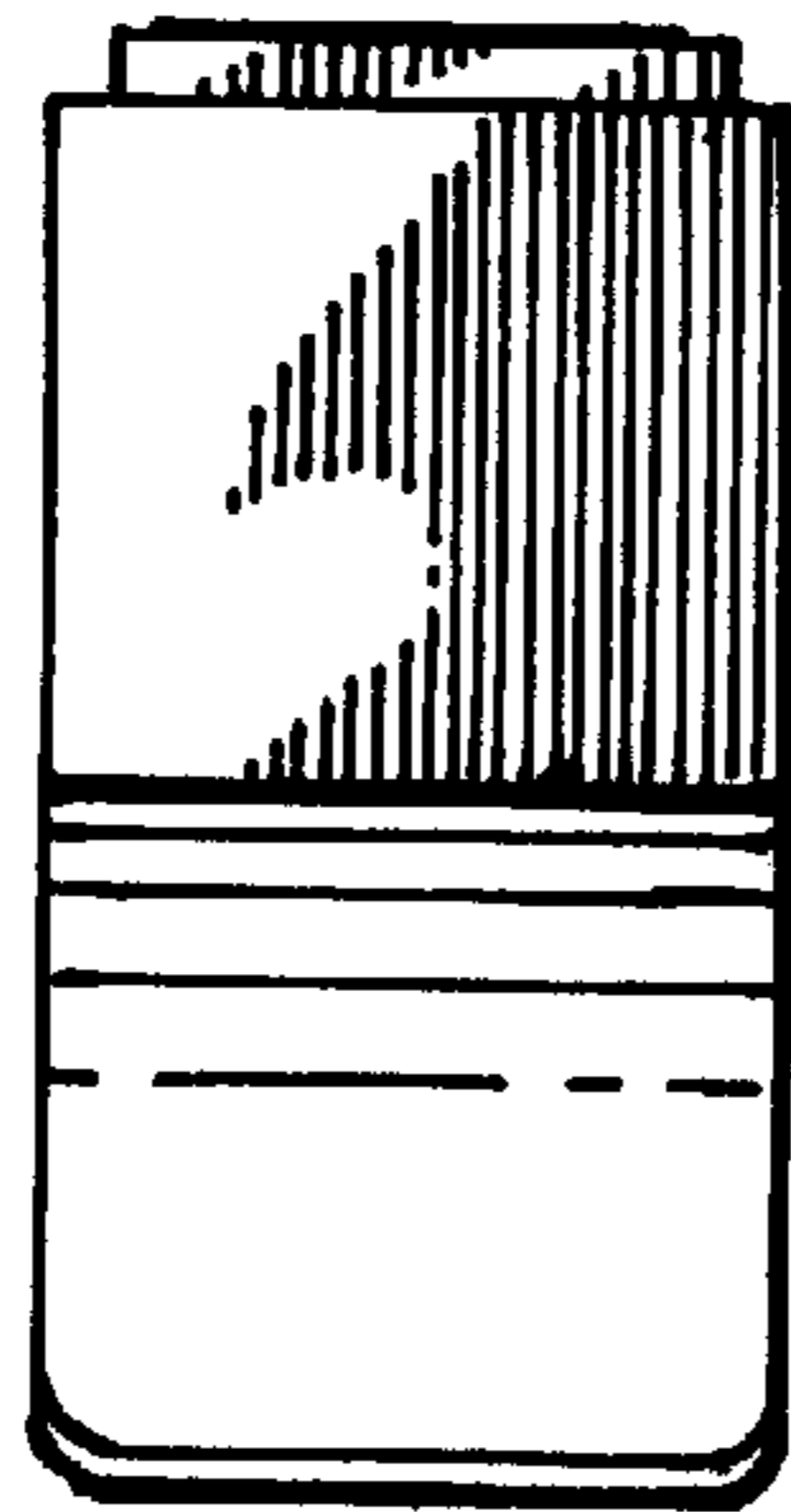


FIG. 3

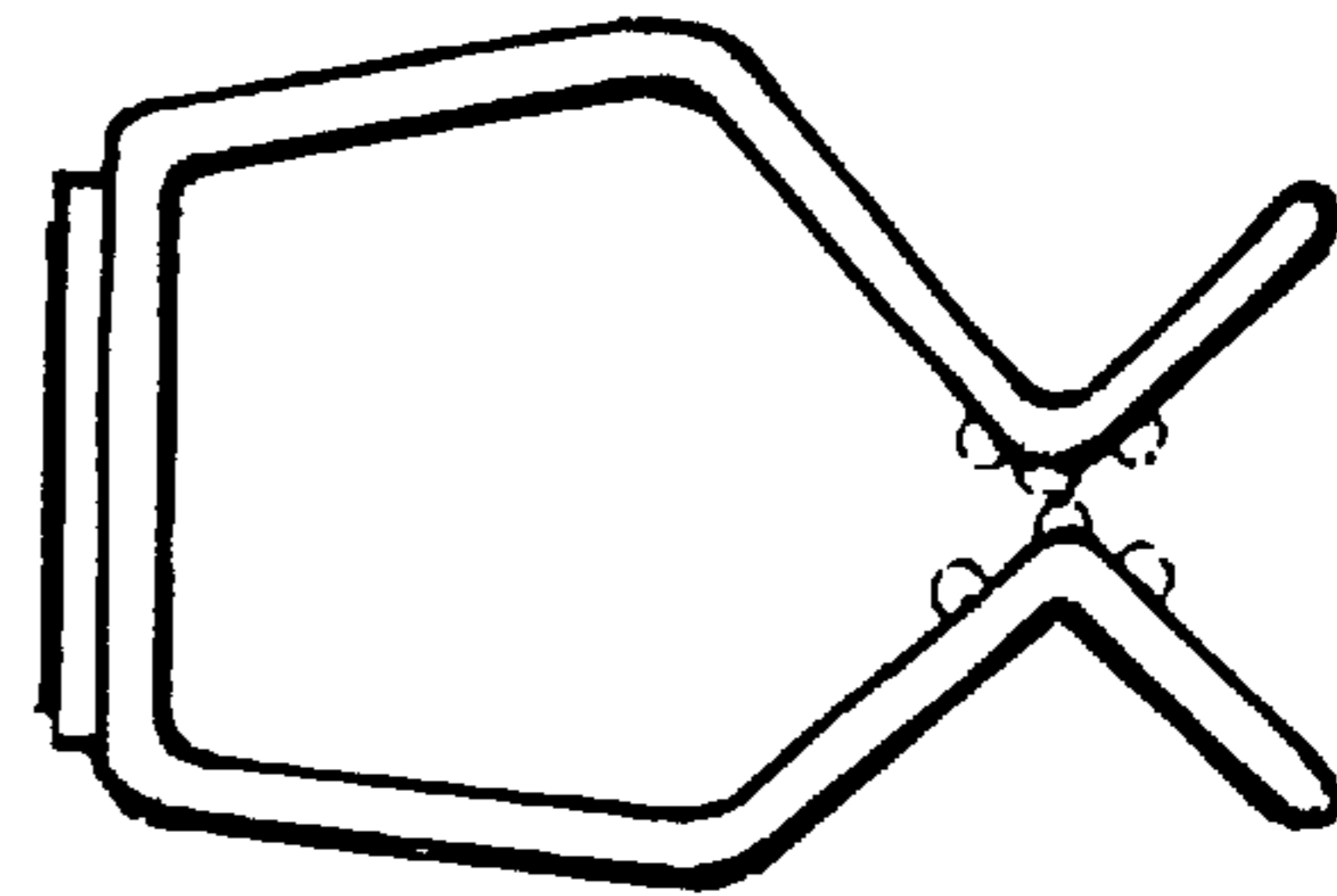


FIG. 4

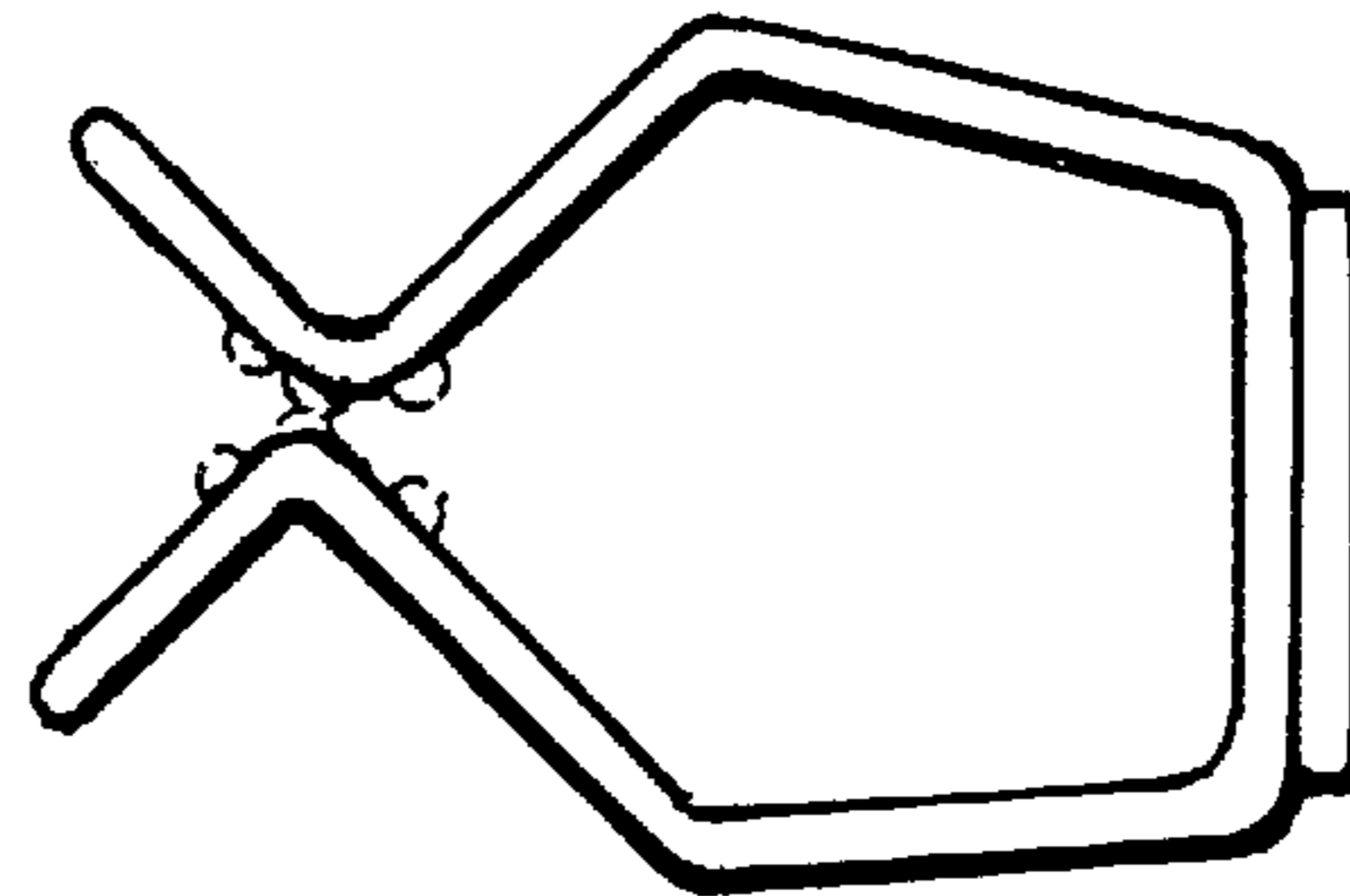


FIG. 5

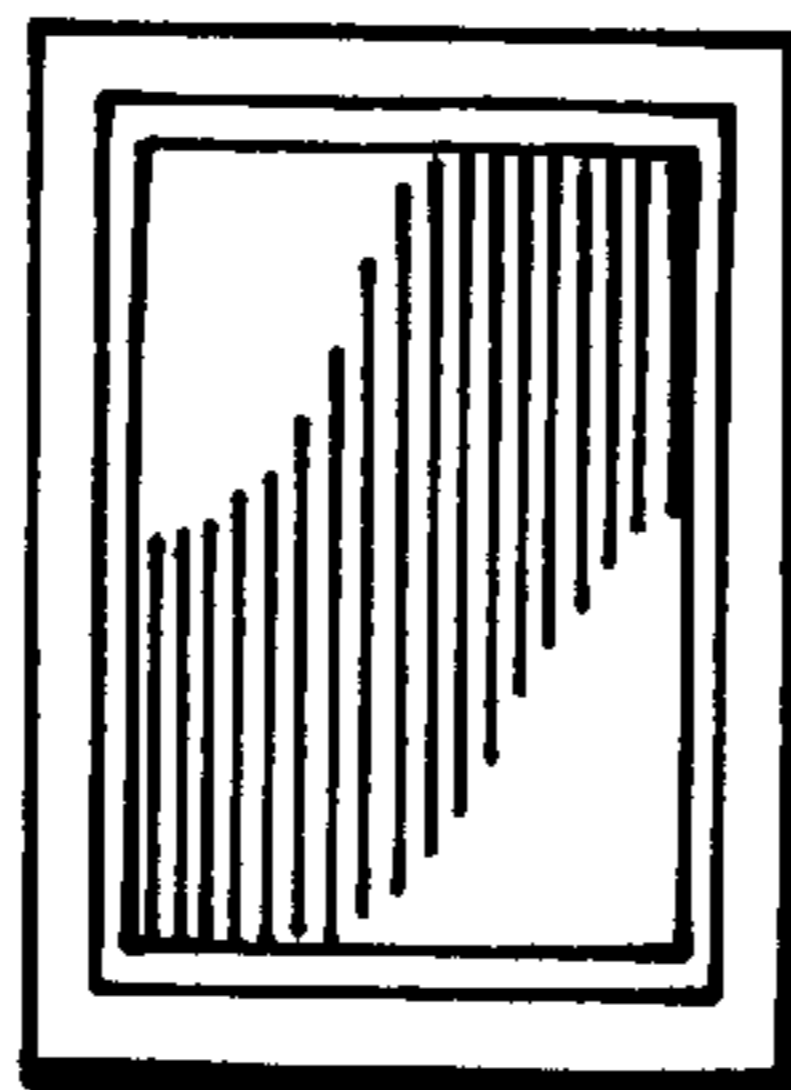


FIG. 6

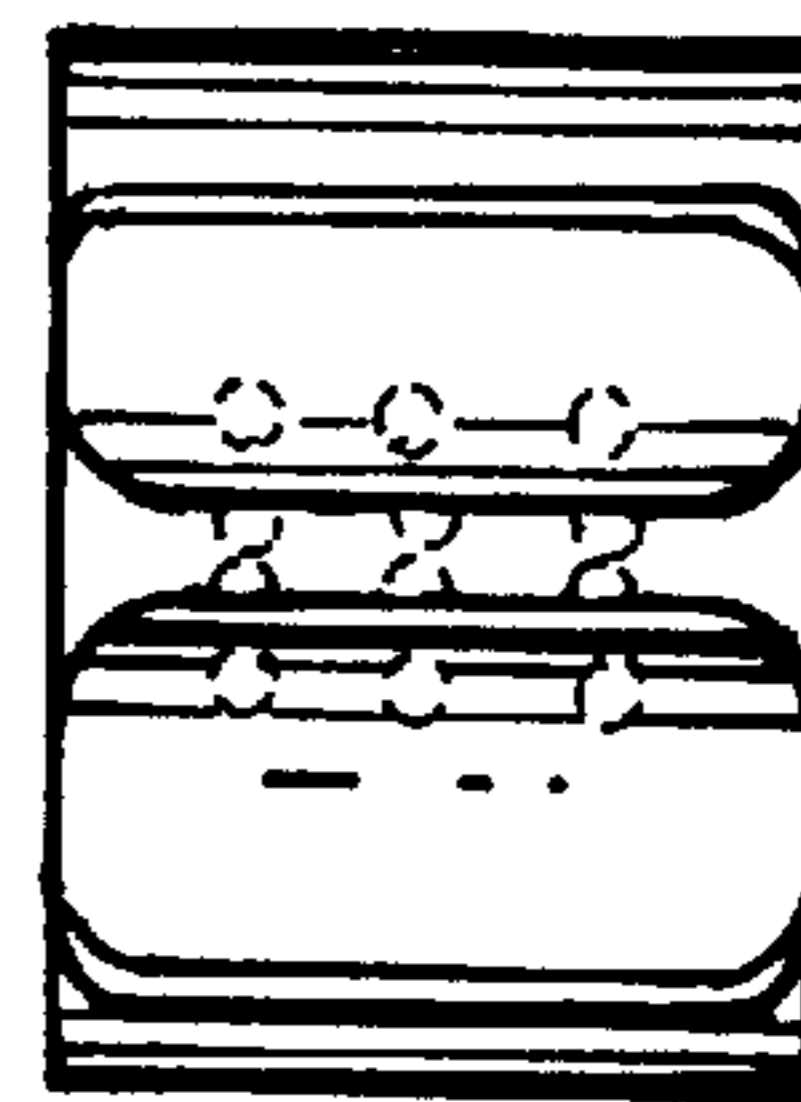


FIG. 7