



US00D516902S

(12) **United States Design Patent**  
**Harwanko**

(10) **Patent No.:** **US D516,902 S**  
(45) **Date of Patent:** **\*\* Mar. 14, 2006**

(54) **END CAP FOR CURTAIN ROD**

D306,552 S \* 3/1990 Paul ..... D8/301  
D404,292 S \* 1/1999 Weber ..... D8/378

(75) Inventor: **Jeffrey Harwanko**, Wilmington, DE  
(US)

\* cited by examiner

(73) Assignee: **Zenith Products Corp.**, New Castle,  
DE (US)

*Primary Examiner*—Holly H. Baynham  
(74) *Attorney, Agent, or Firm*—Edgar A. Zarins; Lloyd D.  
Doigan

(\*\*) Term: **14 Years**

(57) **CLAIM**

(21) Appl. No.: **29/211,636**

The ornamental design for an end cap for curtain rod, as  
shown and described.

(22) Filed: **Aug. 18, 2004**

**DESCRIPTION**

(51) **LOC (8) Cl.** ..... **08-05**

(52) **U.S. Cl.** ..... **D8/378**

(58) **Field of Classification Search** ..... D8/378,  
D8/376, 310; D6/524; D26/154; 428/28  
See application file for complete search history.

FIG. 1 is a perspective view of an end cap for curtain rod  
showing my new design;

FIG. 2 is a side view thereof;

FIG. 3 is an end view thereof; and,

FIG. 4 is an opposite end view thereof.

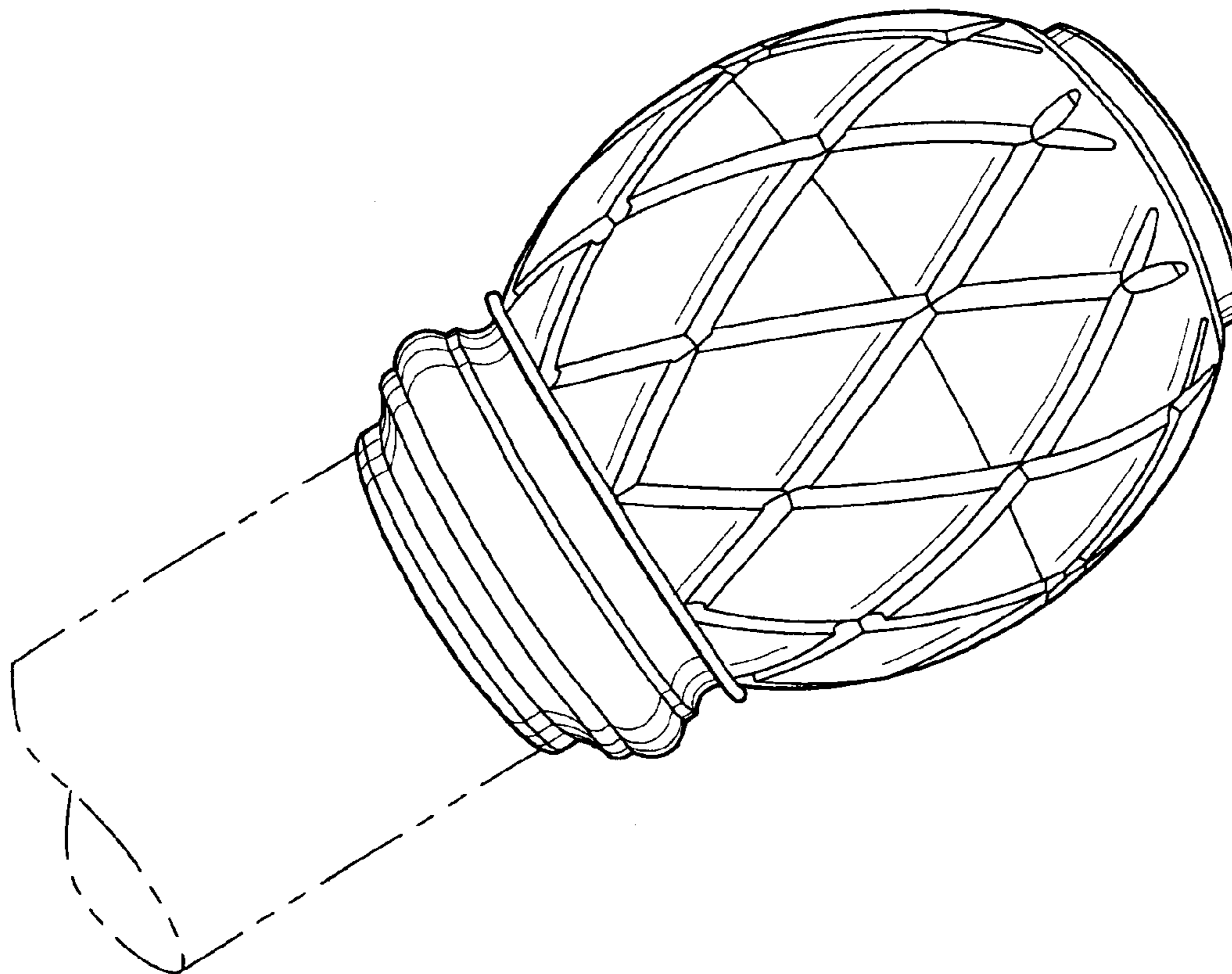
The broken line showing of a partial rod is for illustrative  
purposes only and forms no part of the claimed design.

(56) **References Cited**

**U.S. PATENT DOCUMENTS**

D233,907 S \* 12/1974 Michaeli ..... D26/130

**1 Claim, 1 Drawing Sheet**



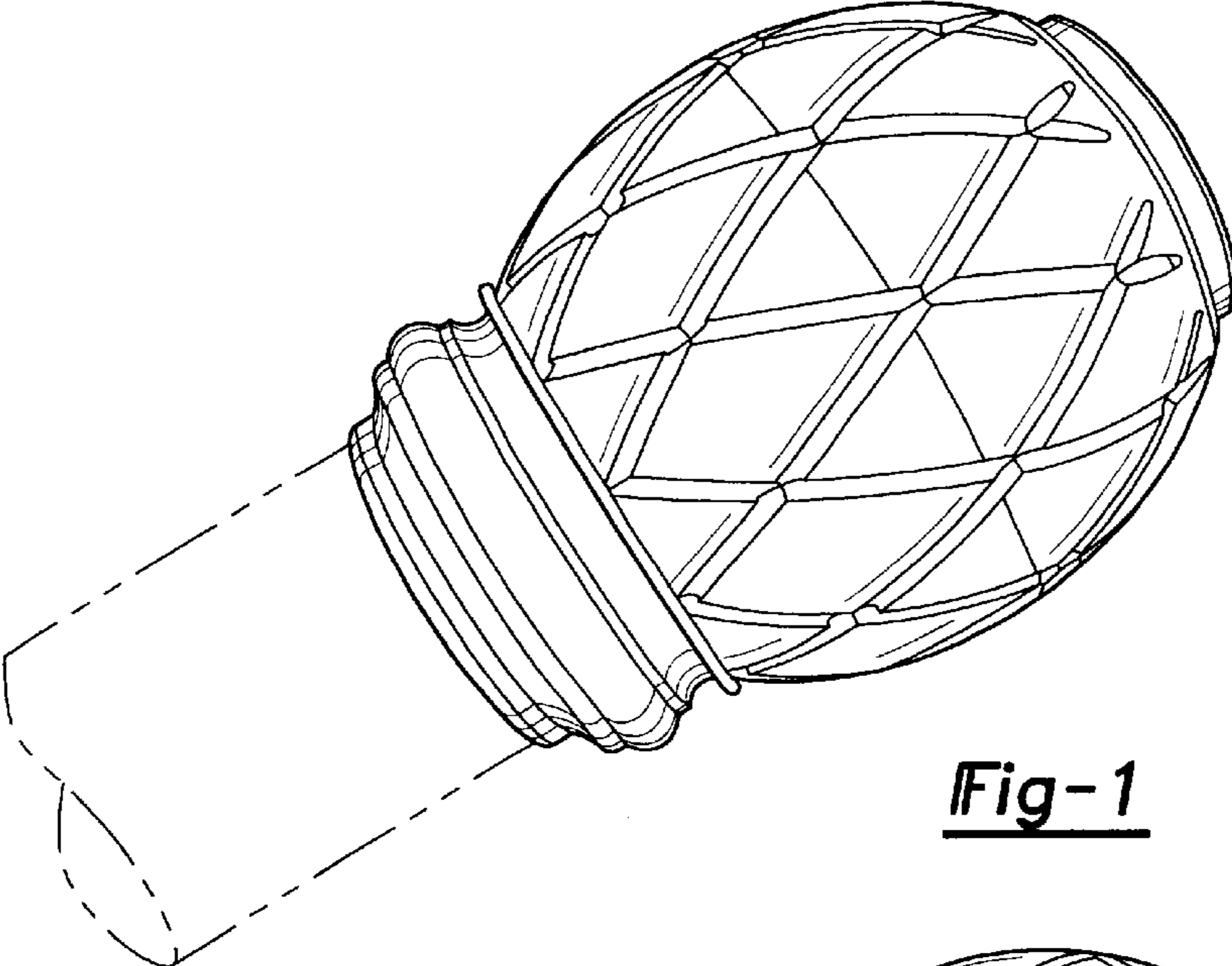


Fig-1

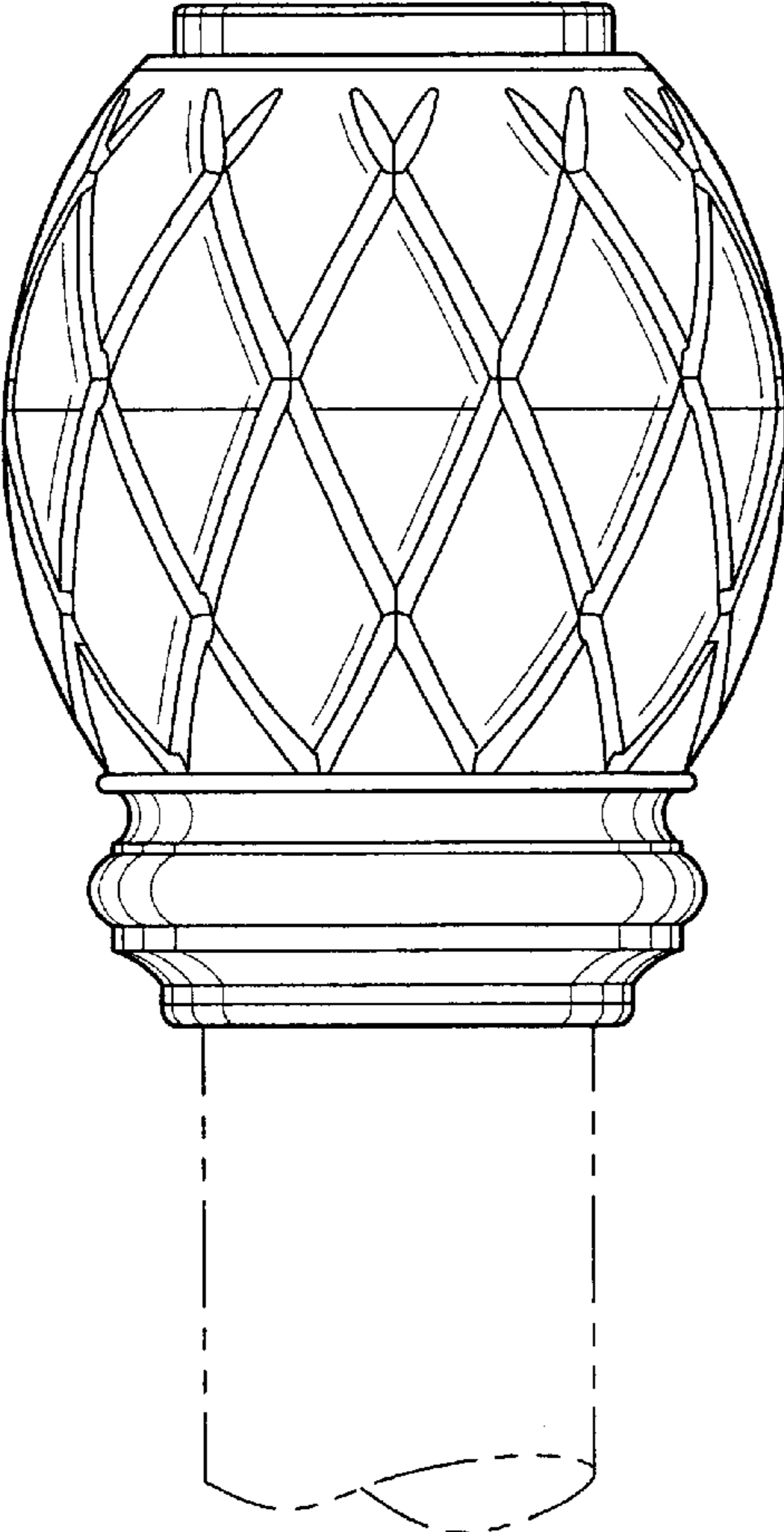


Fig-2

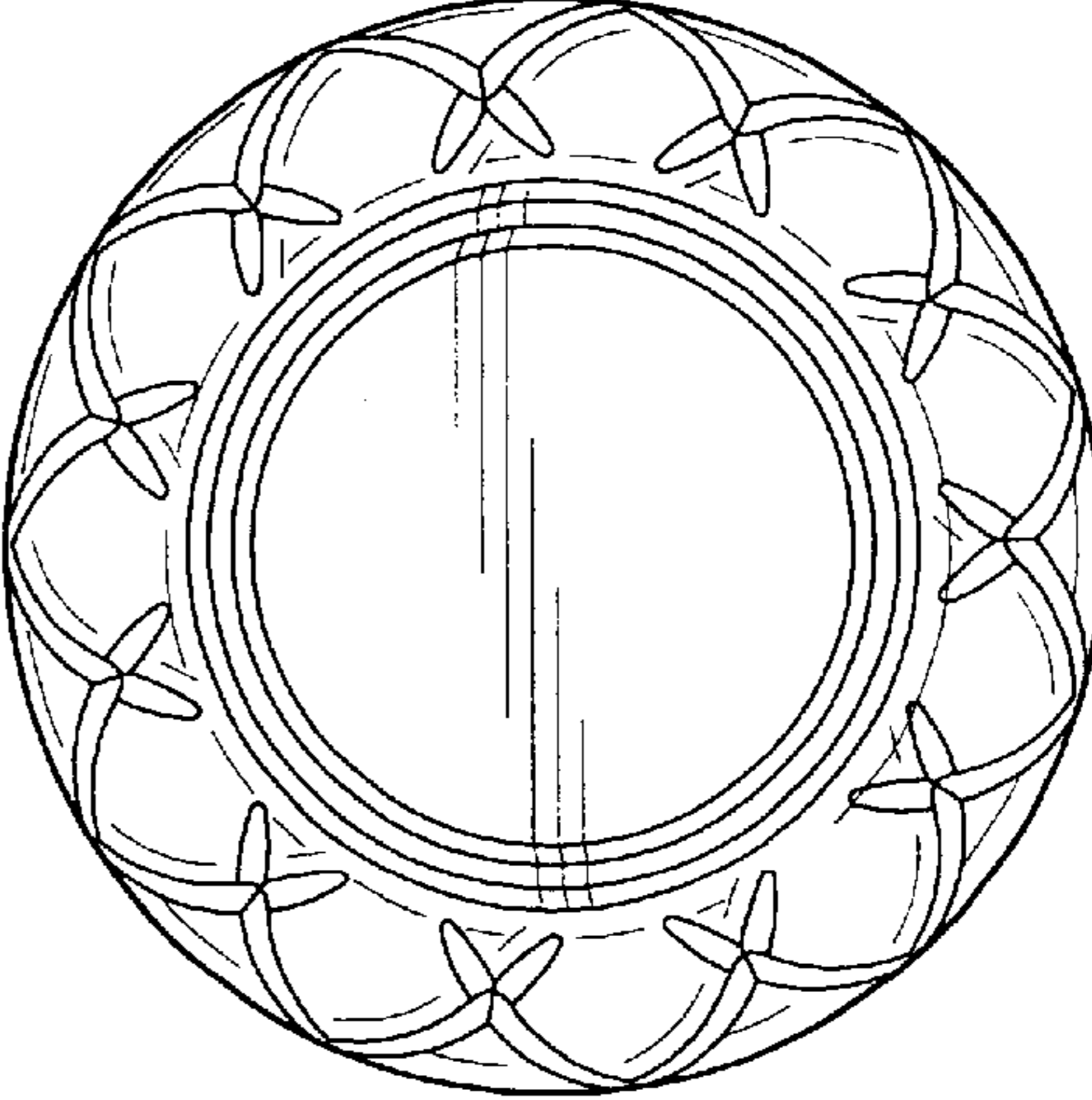


Fig-3

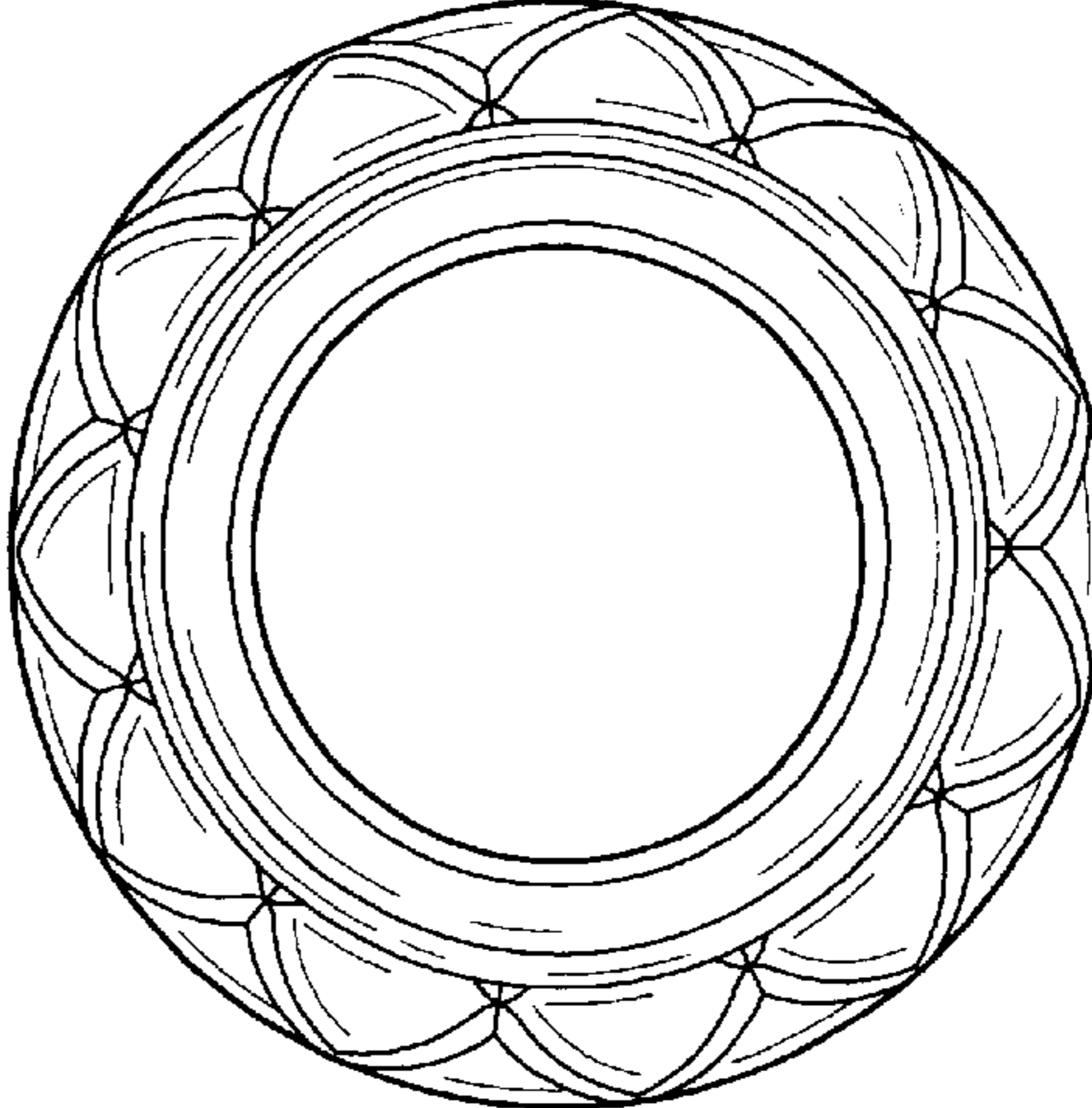


Fig-4