



US00D516900S

(12) **United States Design Patent**  
**Hoernig**

(10) **Patent No.:** **US D516,900 S**  
(45) **Date of Patent:** **\*\* Mar. 14, 2006**

(54) **HOOK**

(75) Inventor: **Victor Hoernig**, Lowell, IN (US)

(73) Assignee: **Brasstech, Inc.**, Santa Ana, CA (US)

(\*\*) Term: **14 Years**

(21) Appl. No.: **29/224,593**

(22) Filed: **Mar. 3, 2005**

(51) **LOC (8) Cl.** ..... **08-05**

(52) **U.S. Cl.** ..... **D8/367**

(58) **Field of Classification Search** ..... D8/367,  
D8/373; 248/301, 304, 214-215

See application file for complete search history.

(56) **References Cited**

**U.S. PATENT DOCUMENTS**

D241,206 S	*	8/1976	Halsted	.....	D6/323
D312,959 S	*	12/1990	Hamann	.....	D8/367
D343,112 S	*	1/1994	Corbin	.....	D8/367
D443,503 S	*	6/2001	Harvey	.....	D8/367

D495,589 S \* 9/2004 Goodman et al. .... D8/367

\* cited by examiner

*Primary Examiner*—Holly H. Baynham

(74) *Attorney, Agent, or Firm*—Kwadjo Adusei-Poku;  
Lloyd D. Doigan

(57) **CLAIM**

The ornamental design for a hook, as shown and described.

**DESCRIPTION**

FIG. 1 is a front perspective view of a hook showing my design;

FIG. 2 is a left side elevational view thereof, the right side elevational view being a mirror image thereof;

FIG. 3 is a top plan view thereof;

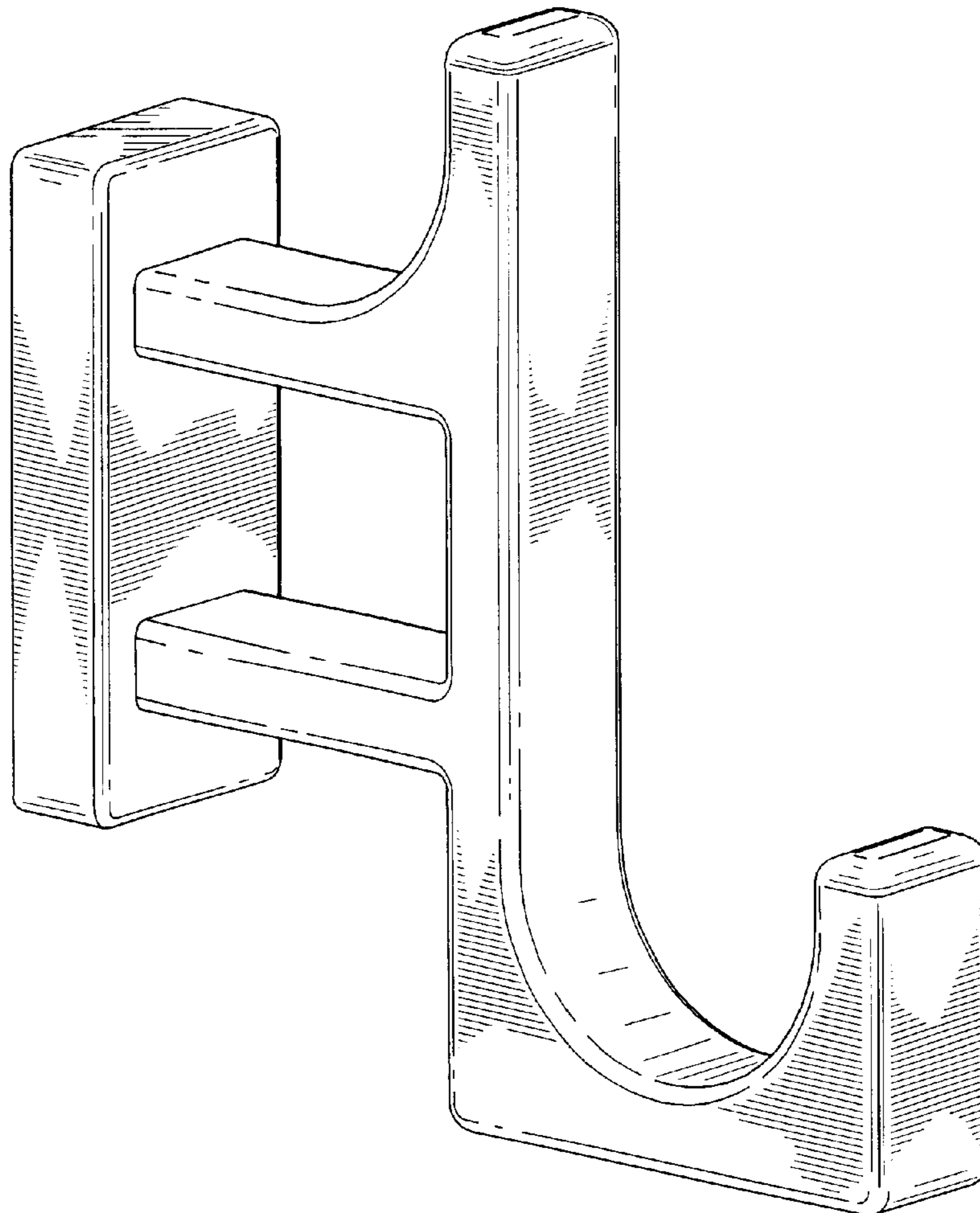
FIG. 4 is a bottom plan view thereof;

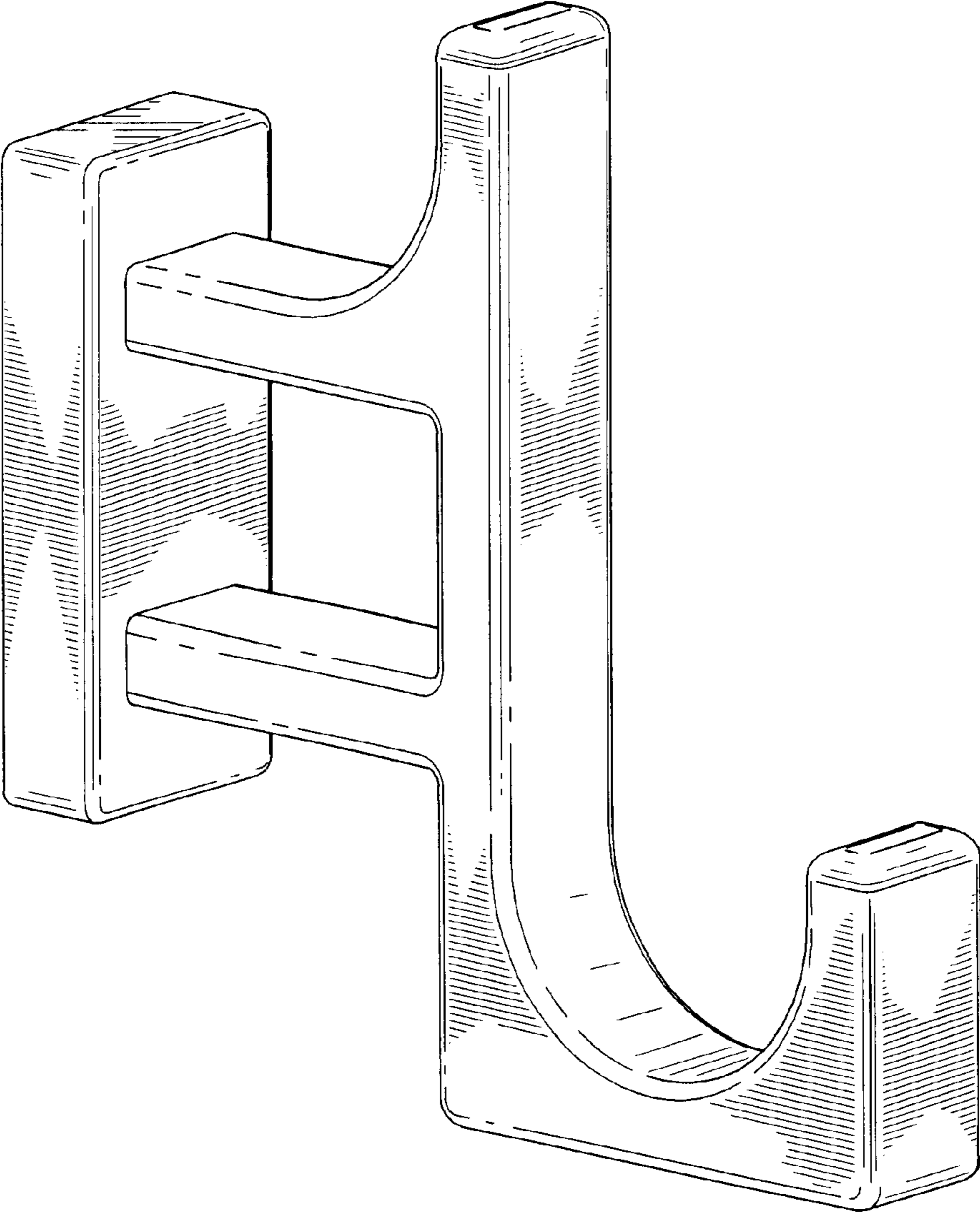
FIG. 5 is a front elevational view thereof; and,

FIG. 6 is a rear elevational view thereof.

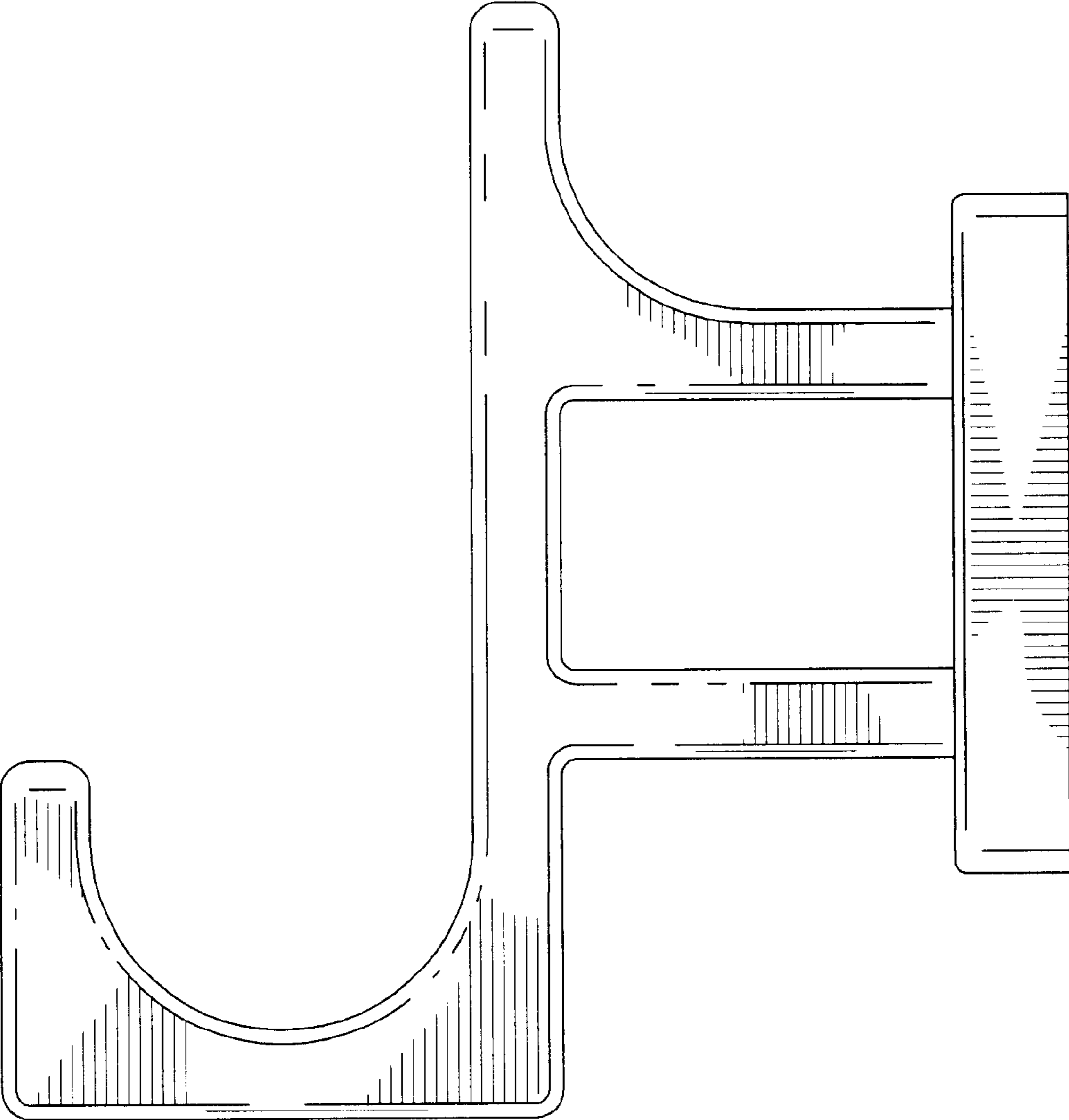
The broken lines in the Figures are for illustrative purposes only and form no part of the claimed design.

**1 Claim, 4 Drawing Sheets**

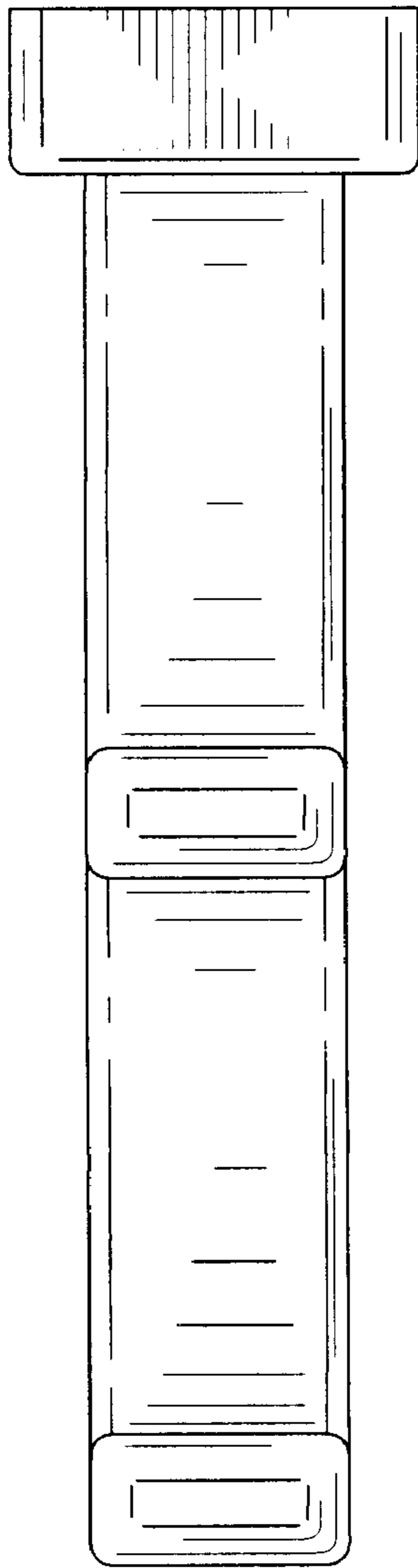




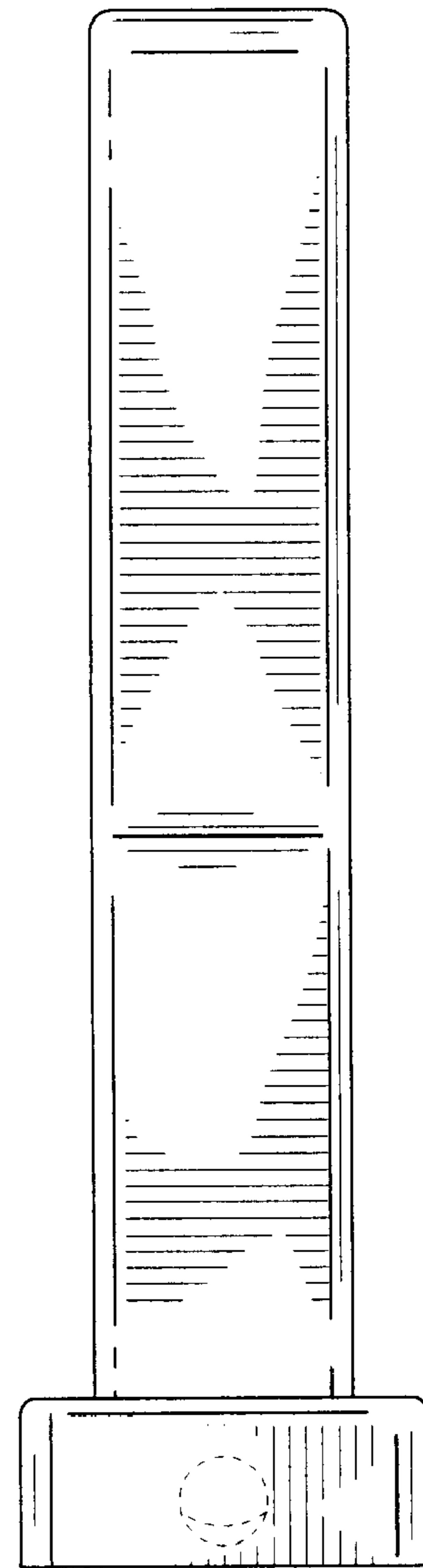
**FIG. 1**



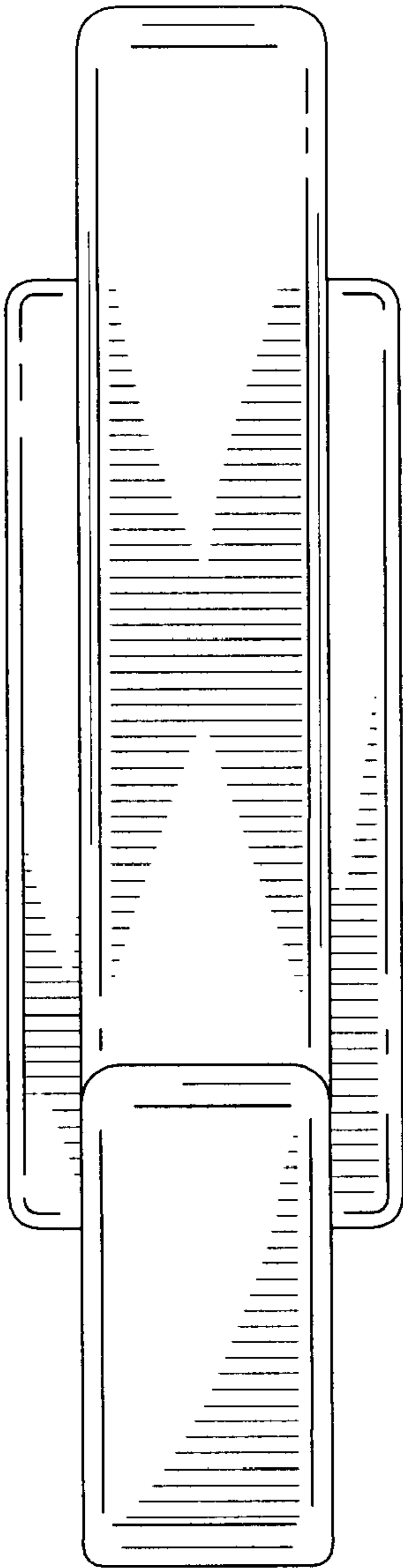
**FIG. 2**



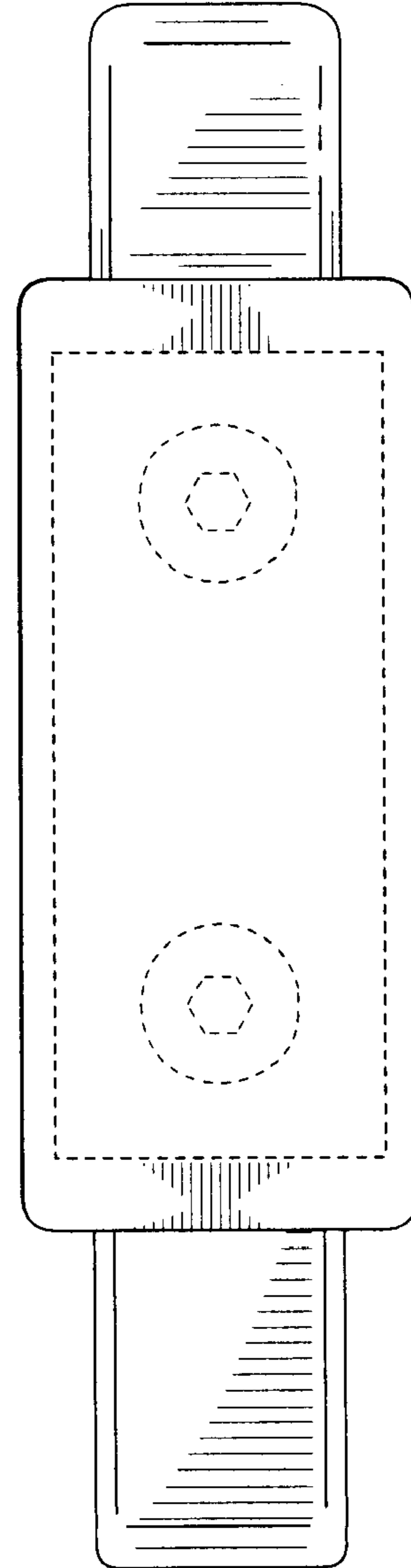
**FIG. 3**



**FIG. 4**



**FIG. 5**



**FIG. 6**