



US00D516899S

(12) **United States Design Patent**  
**Anderson et al.**

(10) **Patent No.:** **US D516,899 S**  
(45) **Date of Patent:** **\*\* Mar. 14, 2006**

(54) **SMALL LOOP HOOK**

(75) Inventors: **Torrence Anderson**, Overland Park, KS  
(US); **Adam Thomas**, Wheaton, IL  
(US)

(73) Assignee: **Suncast Corporation**, Batavia, IL (US)

(\*\*) Term: **14 Years**

(21) Appl. No.: **29/202,957**

(22) Filed: **Apr. 6, 2004**

(51) **LOC (8) Cl.** ..... **08-05**

(52) **U.S. Cl.** ..... **D8/367**

(58) **Field of Classification Search** ..... D8/367,  
D8/370, 373; 248/302-303, 215  
See application file for complete search history.

(56) **References Cited**

**U.S. PATENT DOCUMENTS**

401,683 A \* 4/1889 Buell ..... 248/303  
D301,406 S \* 6/1989 Barbieri et al. .... D6/323

D315,860 S \* 4/1991 Joss et al. .... D8/367  
D327,641 S \* 7/1992 Hoskinson et al. .... D8/370  
D406,485 S \* 3/1999 Paikos et al. .... D6/566  
2002/0088911 A1 \* 7/2002 Kao ..... 248/302

\* cited by examiner

*Primary Examiner*—Holly H. Baynham

(74) *Attorney, Agent, or Firm*—McHale & Slavin, P.A.

(57) **CLAIM**

The ornamental design for a small loop hook, as shown and described.

**DESCRIPTION**

FIG. 1 is a perspective view of the small loop hook of the instant invention;

FIG. 2 is a front elevation view thereof;

FIG. 3 is a rear view thereof;

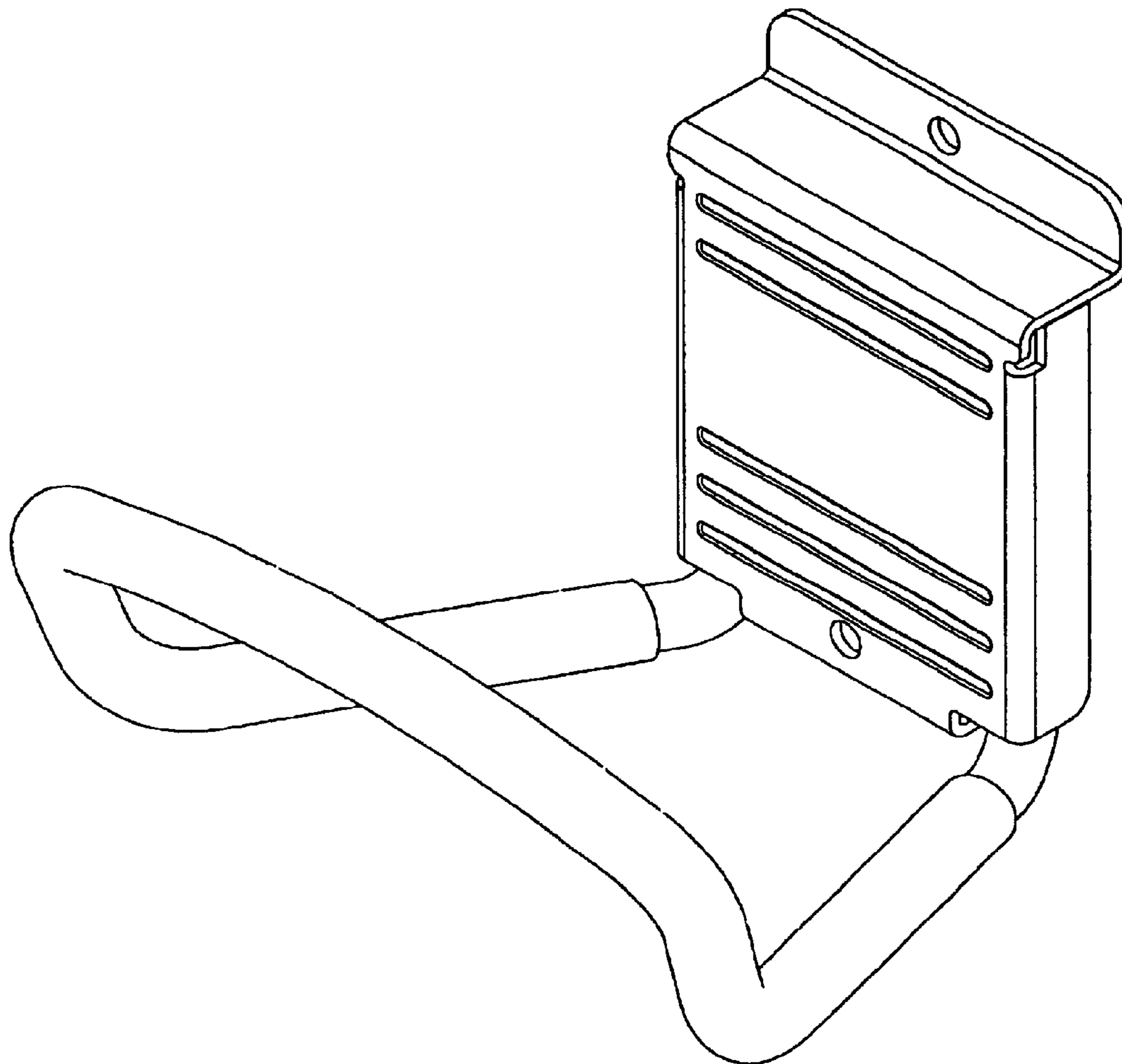
FIG. 4 is a right side view thereof;

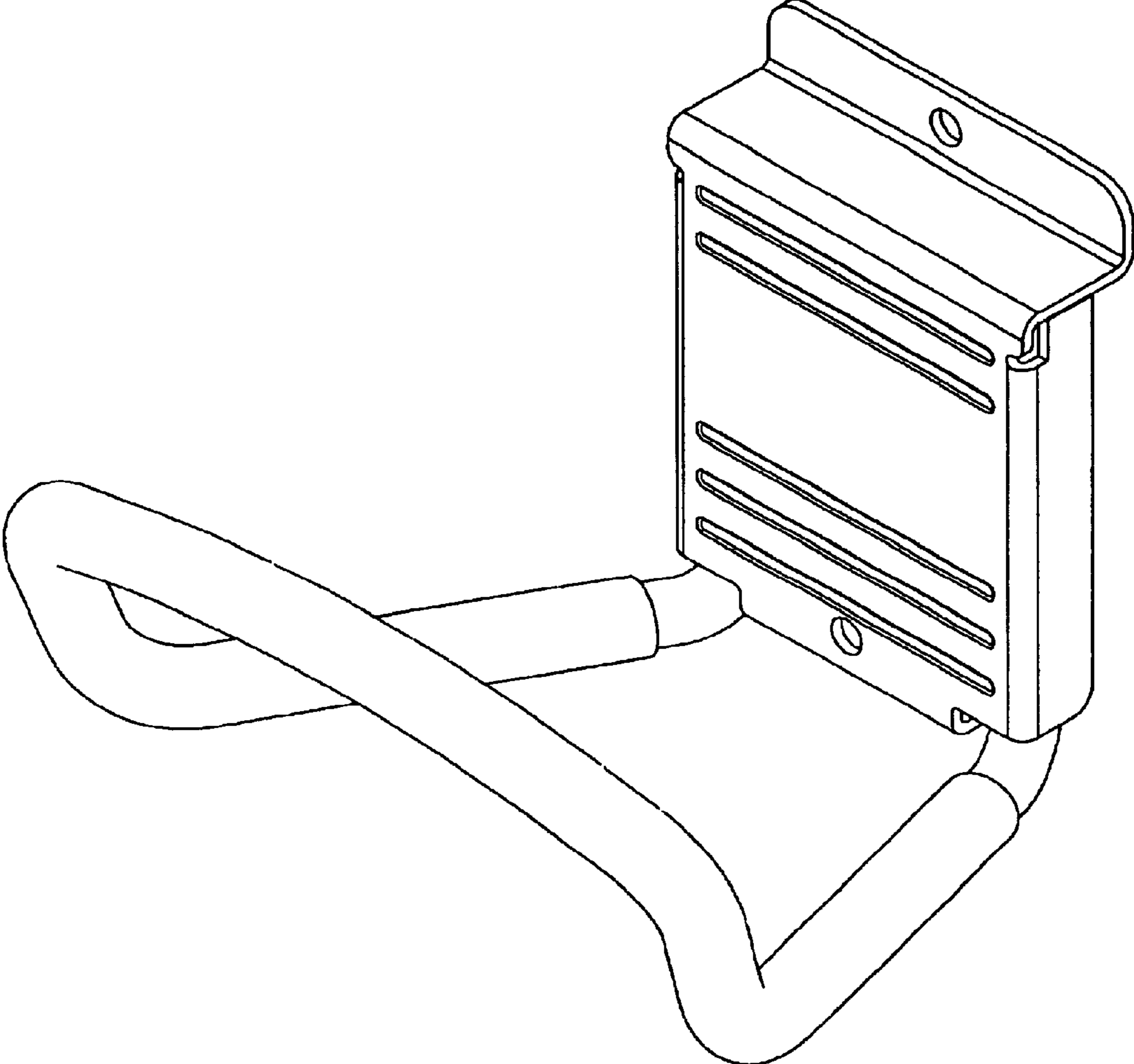
FIG. 5 is a left side view thereof;

FIG. 6 is a top view thereof; and,

FIG. 7 is a bottom view.

**1 Claim, 4 Drawing Sheets**





**FIGURE 1**

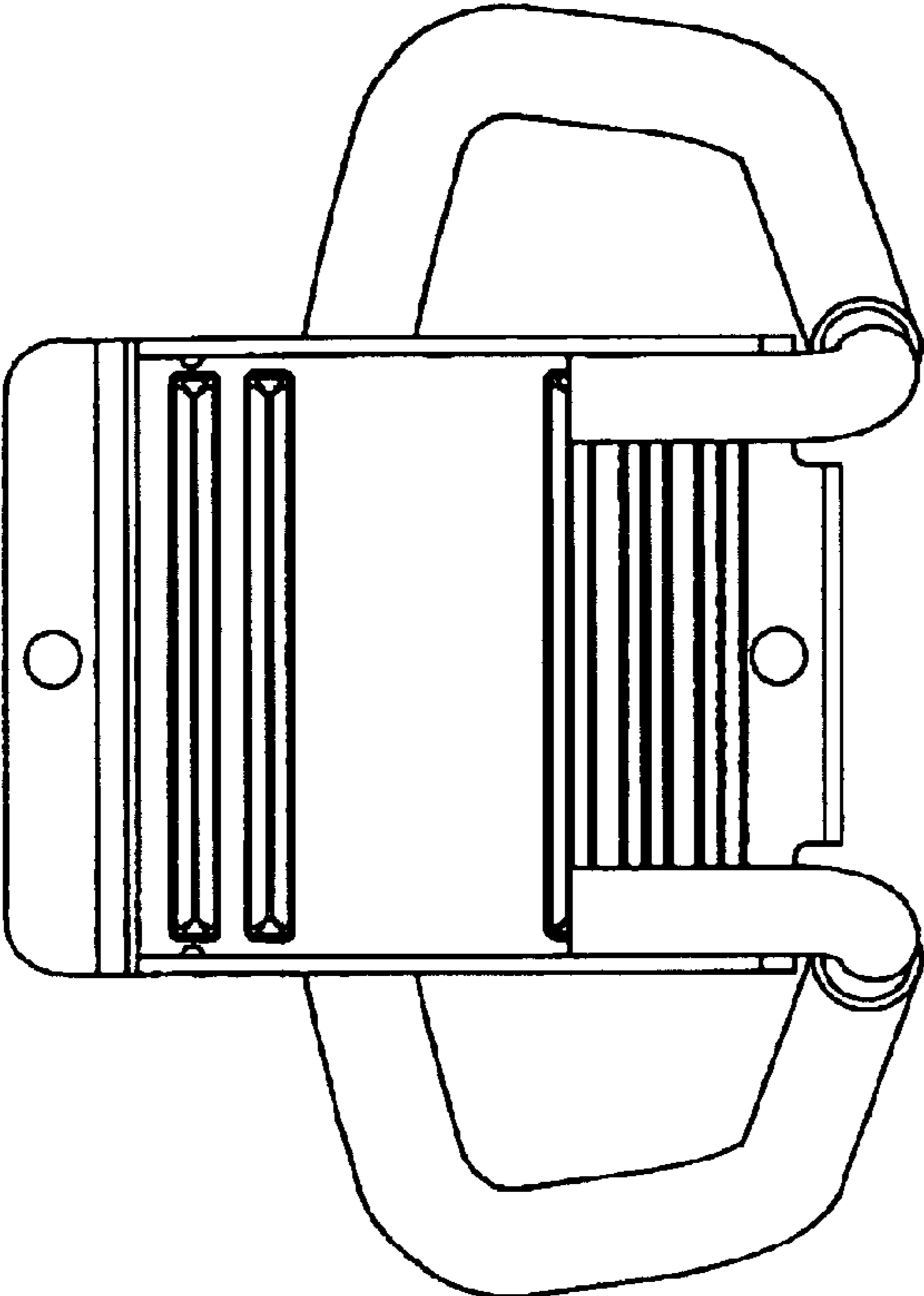


FIGURE 3

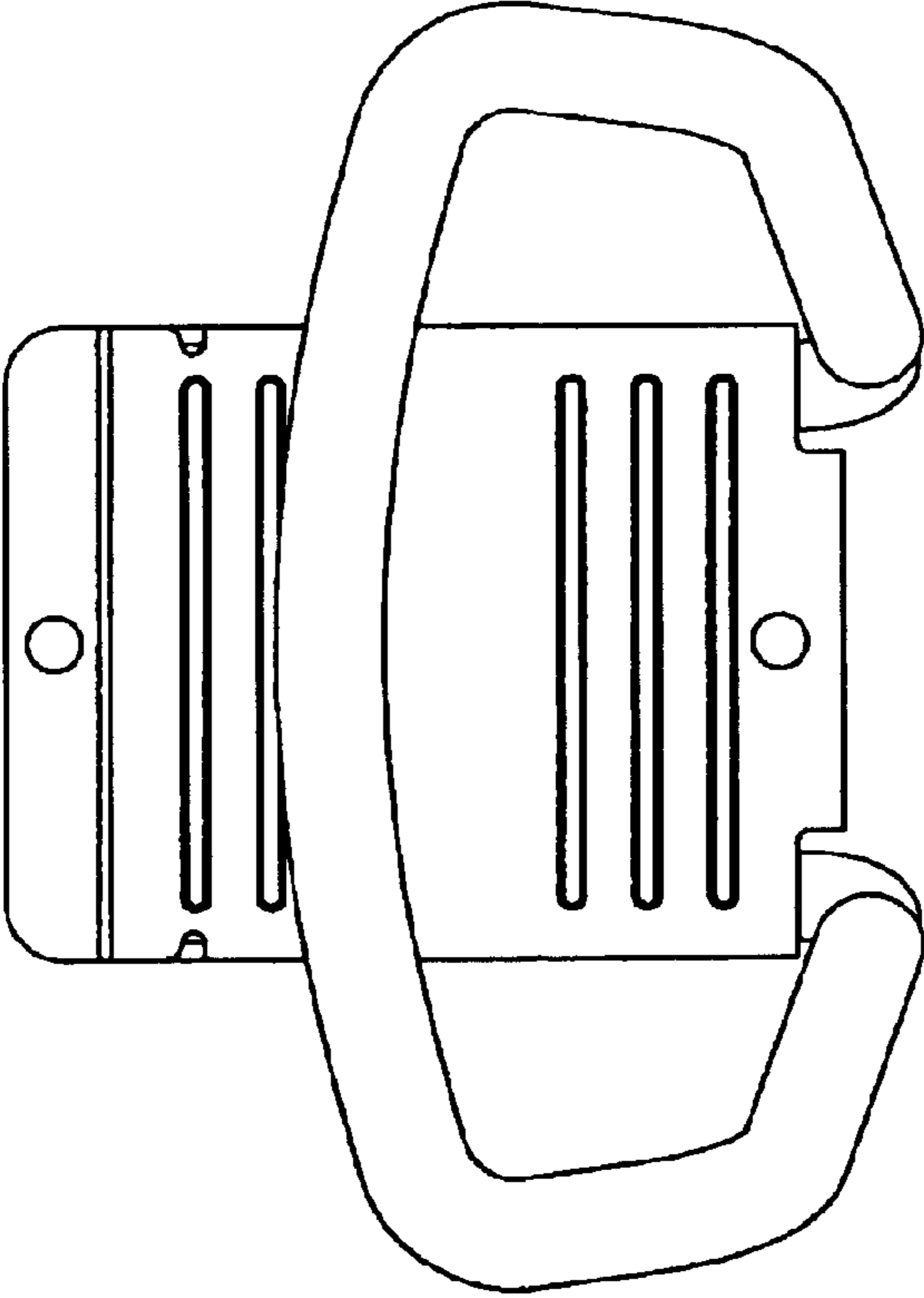


FIGURE 2

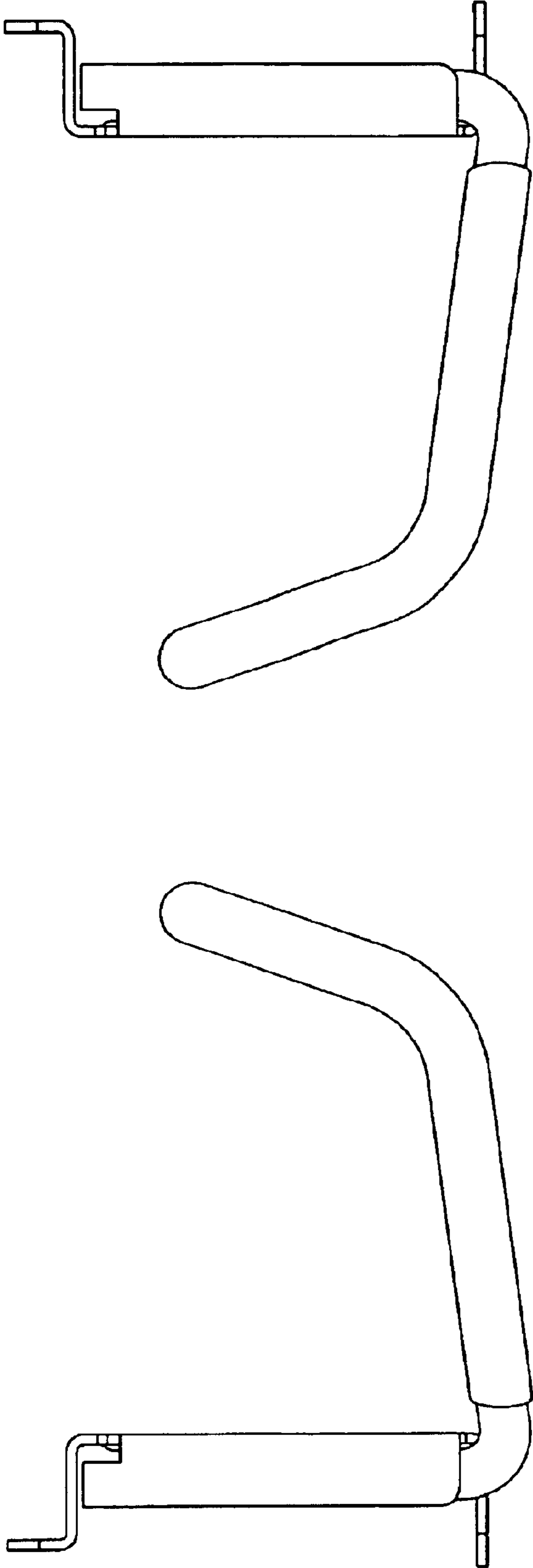


FIGURE 5

FIGURE 4

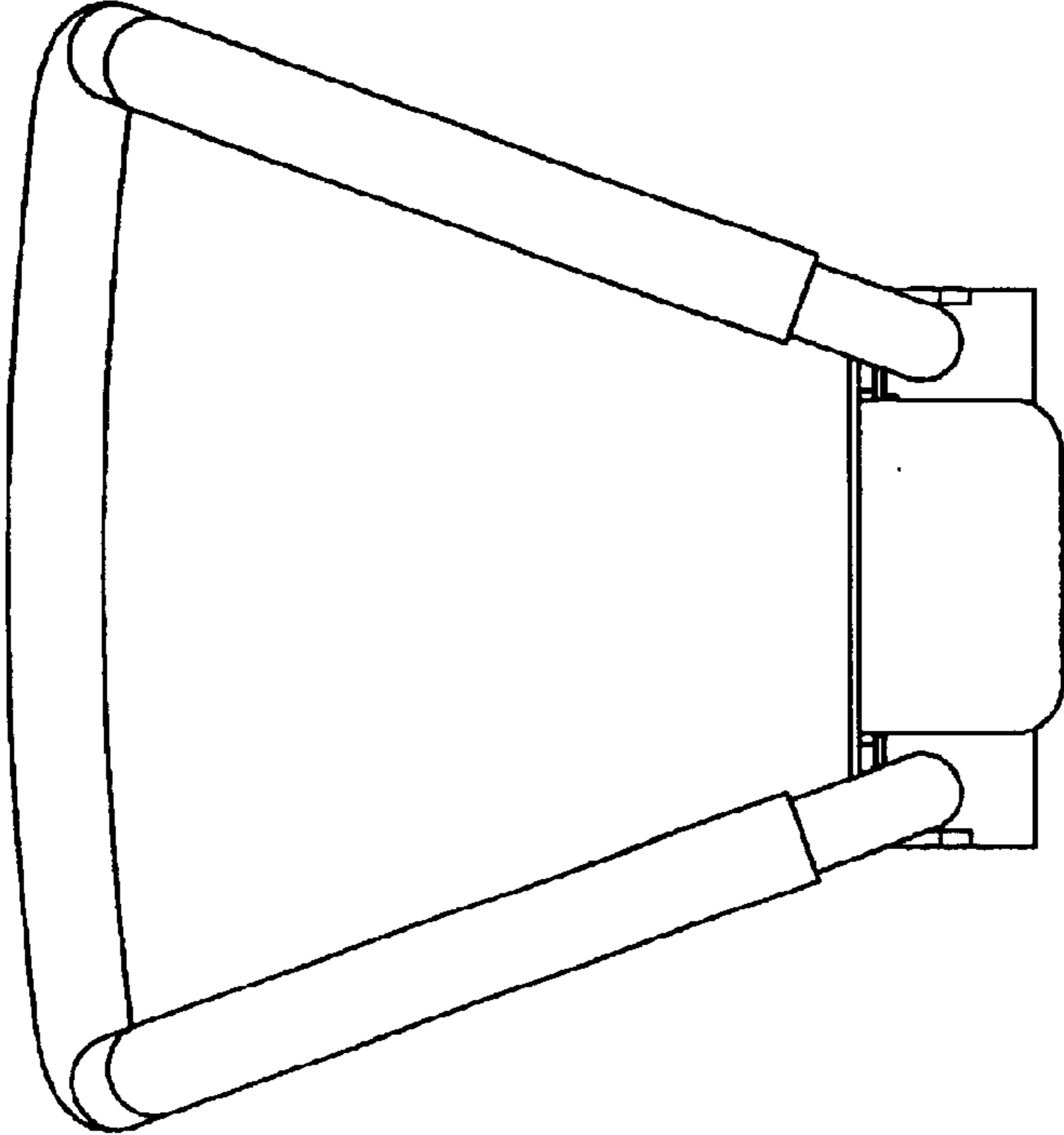


FIGURE 7

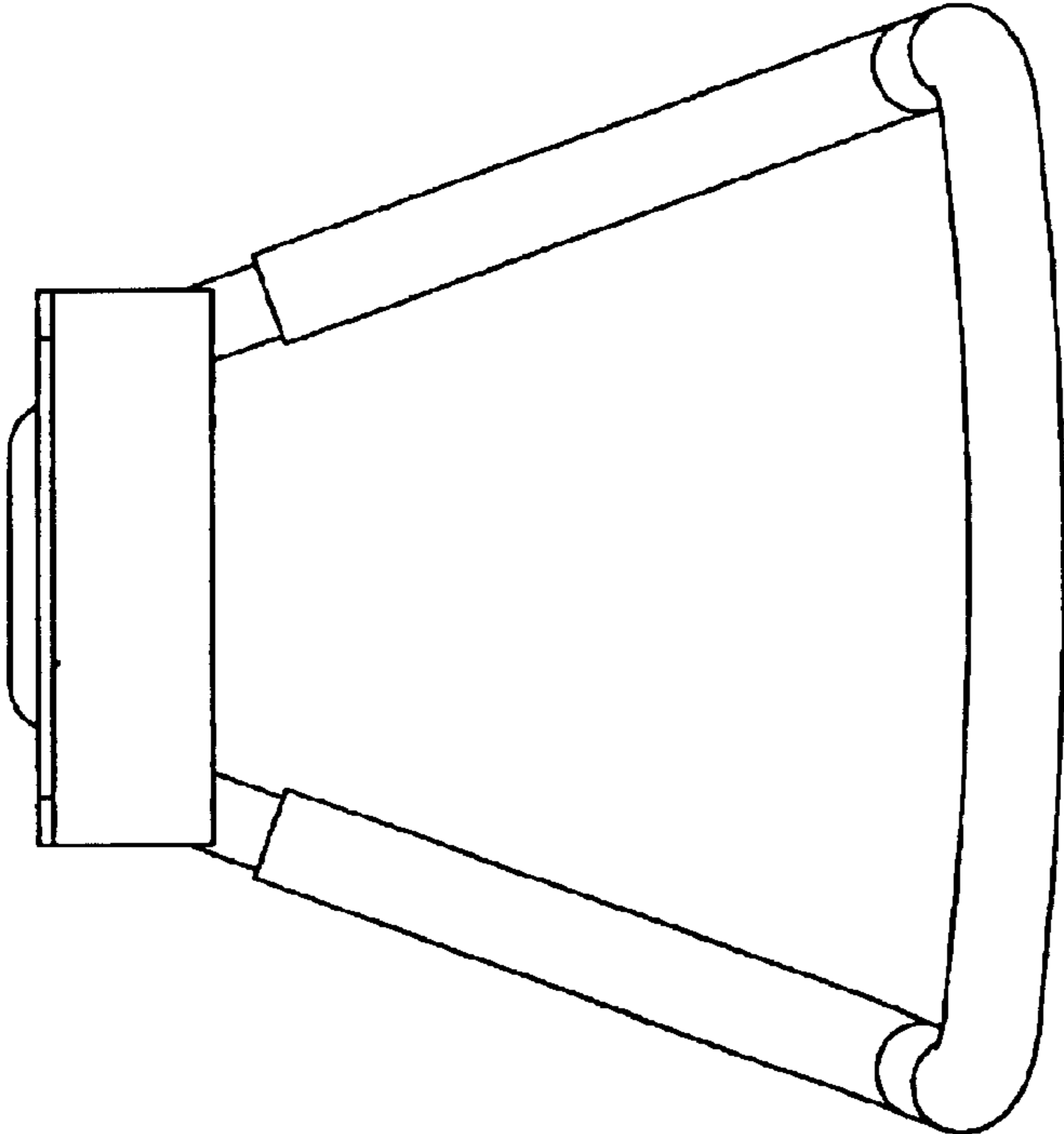


FIGURE 6