



US00D516897S

(12) **United States Design Patent**
Kim

(10) **Patent No.:** **US D516,897 S**

(45) **Date of Patent:** **** Mar. 14, 2006**

(54) **KEY**

(76) **Inventor:** **Jung Kyu Kim**, 1223-6, Sankyook-4
Dong, Buk-Ku, Taegu 702-014 (KR)

(**) **Term:** **14 Years**

(21) **Appl. No.:** **29/214,714**

(22) **Filed:** **Oct. 8, 2004**

(51) **LOC (8) Cl.** **08-07**

(52) **U.S. Cl.** **D8/347**

(58) **Field of Classification Search** D8/347,
D8/343, 330; 70/51, 393, 401, 402, 405-408,
70/460, 336, 346-344, 285, 371, 277
See application file for complete search history.

(56) **References Cited**

U.S. PATENT DOCUMENTS

3,349,589	A	*	10/1967	Fricke	70/395
D252,732	S	*	8/1979	Price	D8/347
D307,863	S	*	5/1990	Boag	D8/347
5,311,757	A	*	5/1994	Spahn	70/408
5,433,096	A	*	7/1995	Janssen et al.	70/278.3
5,442,943	A	*	8/1995	Schremmer et al.	70/252
5,615,565	A	*	4/1997	Field	70/409
5,943,890	A	*	8/1999	Field et al.	70/493
6,094,954	A	*	8/2000	Carmen	70/408

D439,134	S	*	3/2001	Almblad	D8/347
D491,788	S	*	6/2004	Kim	D8/347
D492,574	S	*	7/2004	Asmerian	D8/347

* cited by examiner

Primary Examiner—Prabhakar Deshmukh
(74) *Attorney, Agent, or Firm*—Park & Sutton LLP; John K. Park

(57) **CLAIM**

The ornamental design for a key, as shown and described.

DESCRIPTION

FIG. 1 is a perspective view of a key showing my new design;
FIG. 2 is another perspective view of the key;
FIG. 3 is a top plan view thereof;
FIG. 4 is a left side view thereof;
FIG. 5 is a rear elevational view thereof;
FIG. 6 is a right side view thereof;
FIG. 7 is a bottom side view thereof;
FIG. 8 is a front elevational view thereof; and,
FIG. 9 is an enlarged right side view thereof.
The broken lines are for illustrative purpose only and form no part of the claimed design.

1 Claim, 3 Drawing Sheets

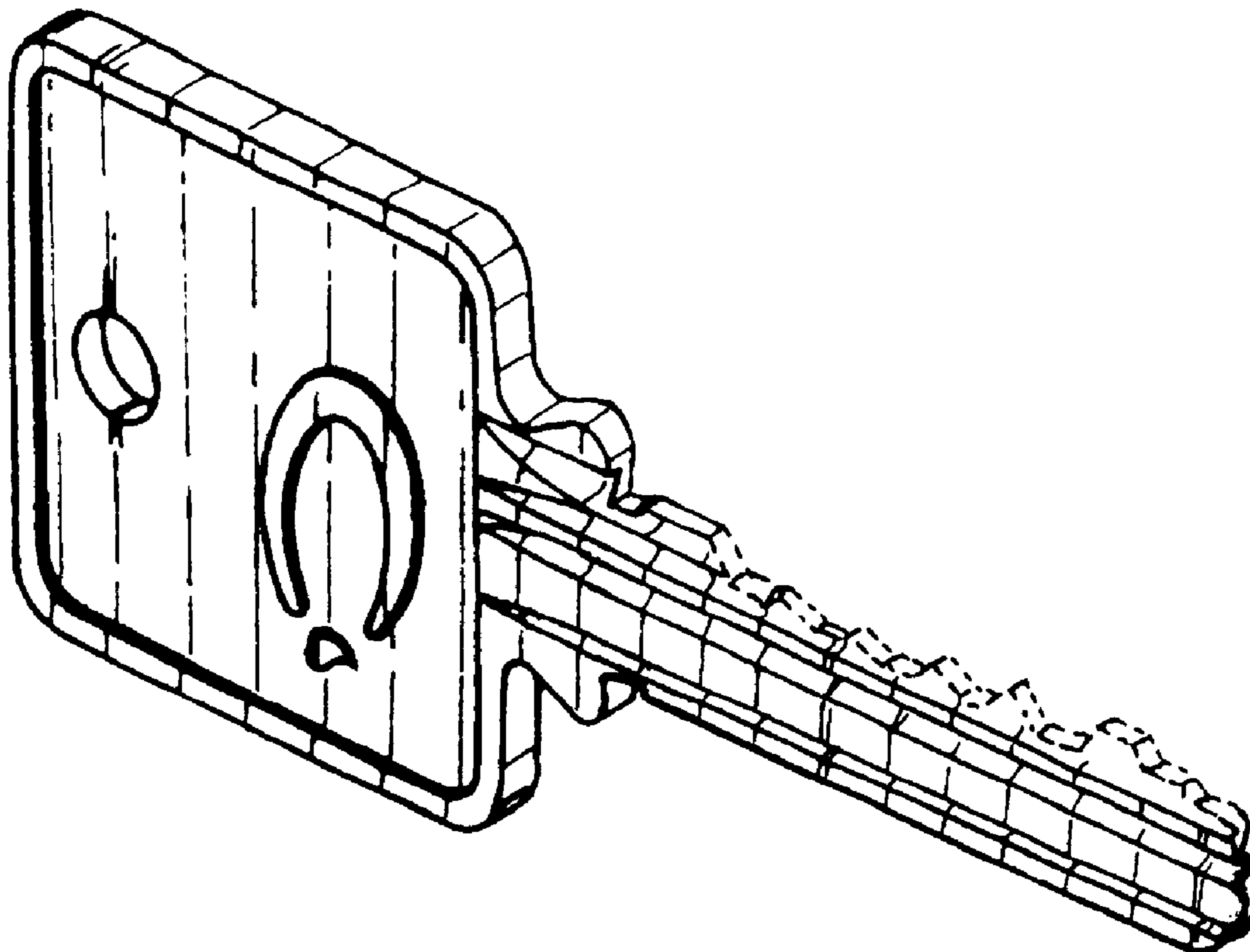


FIG. 1

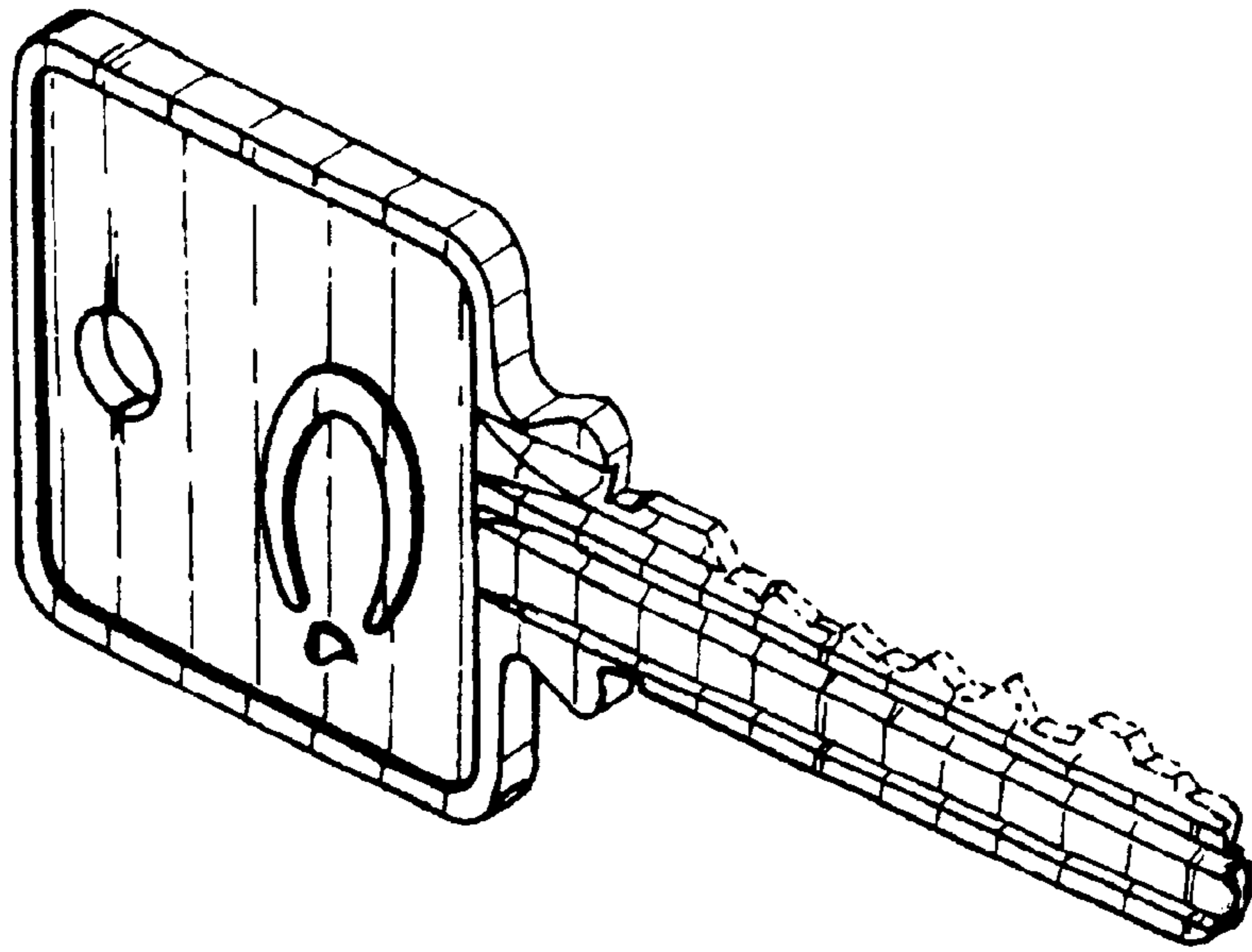


FIG. 2

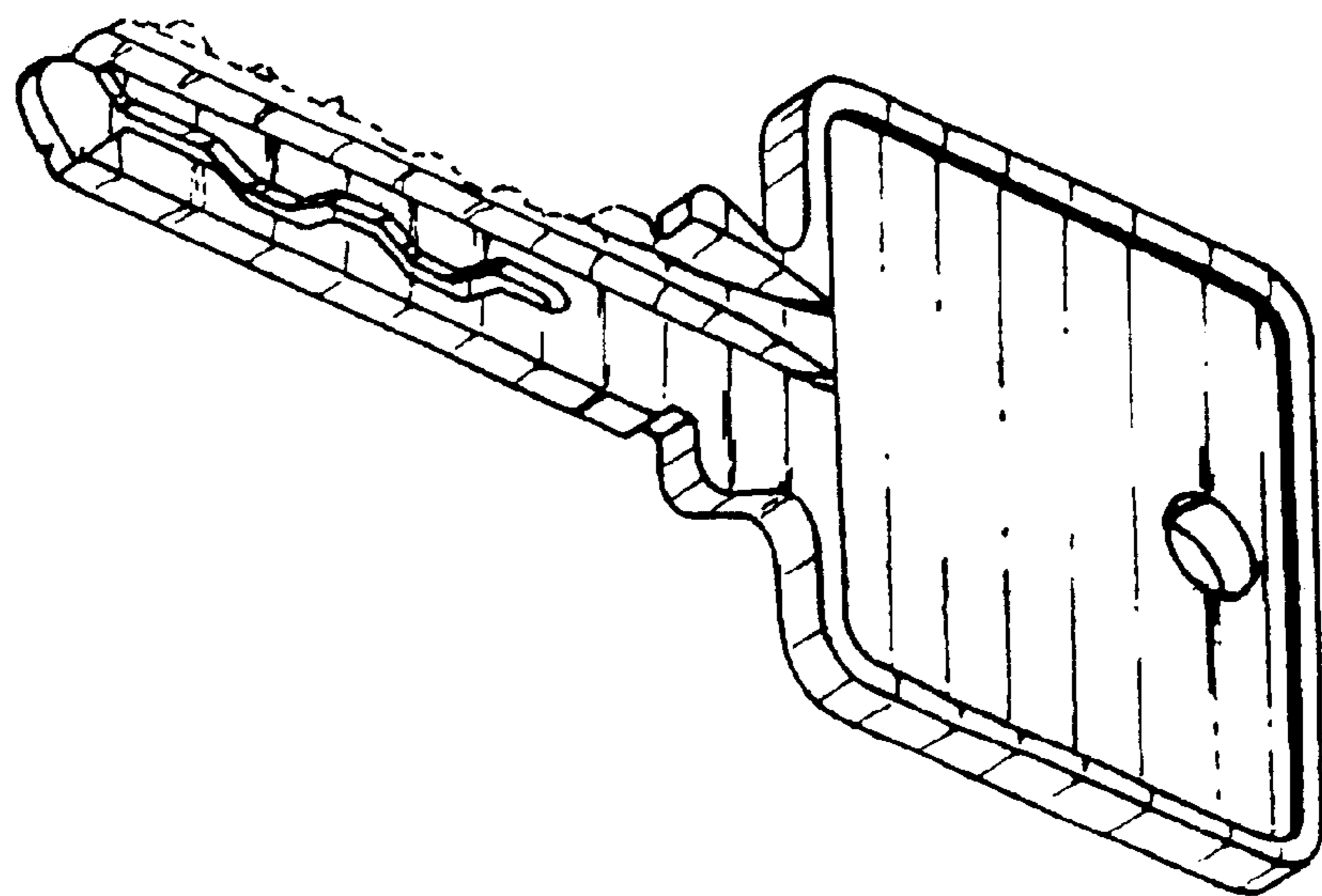


FIG. 3



FIG. 4



FIG. 5

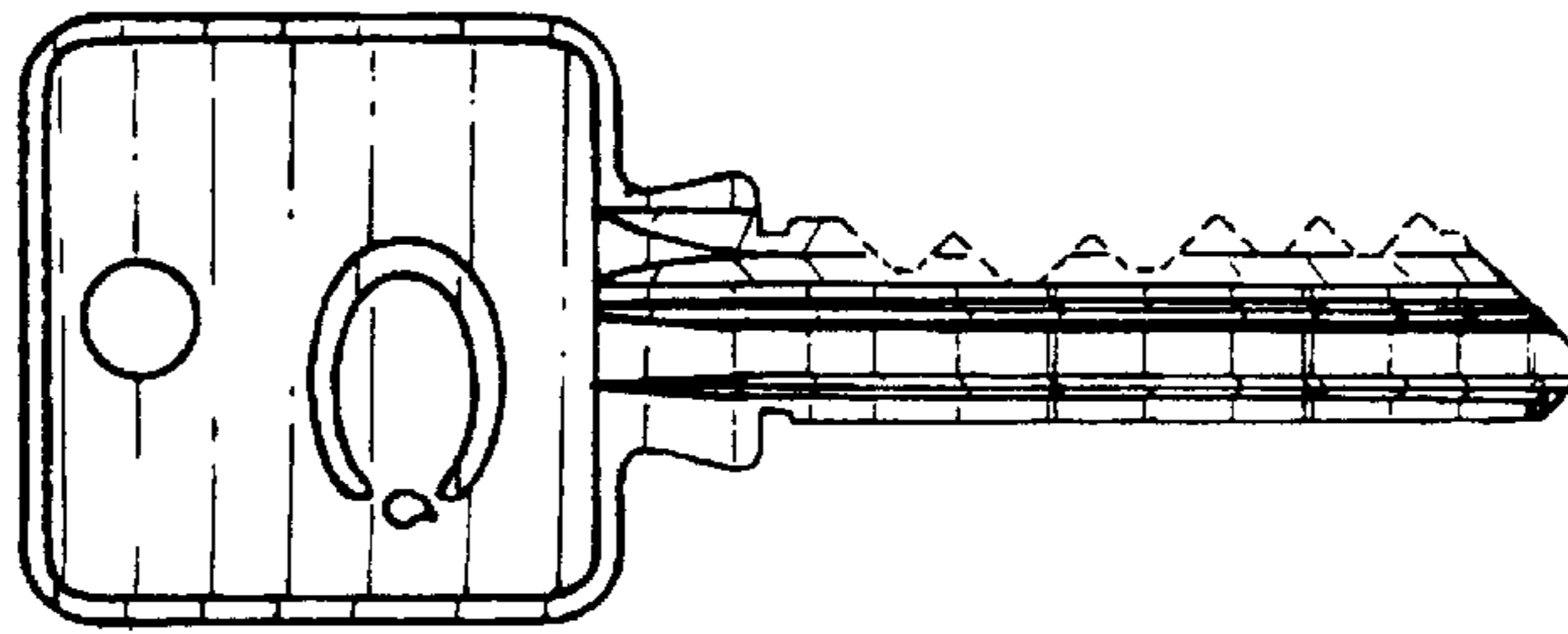


FIG. 6



FIG. 7



FIG. 8

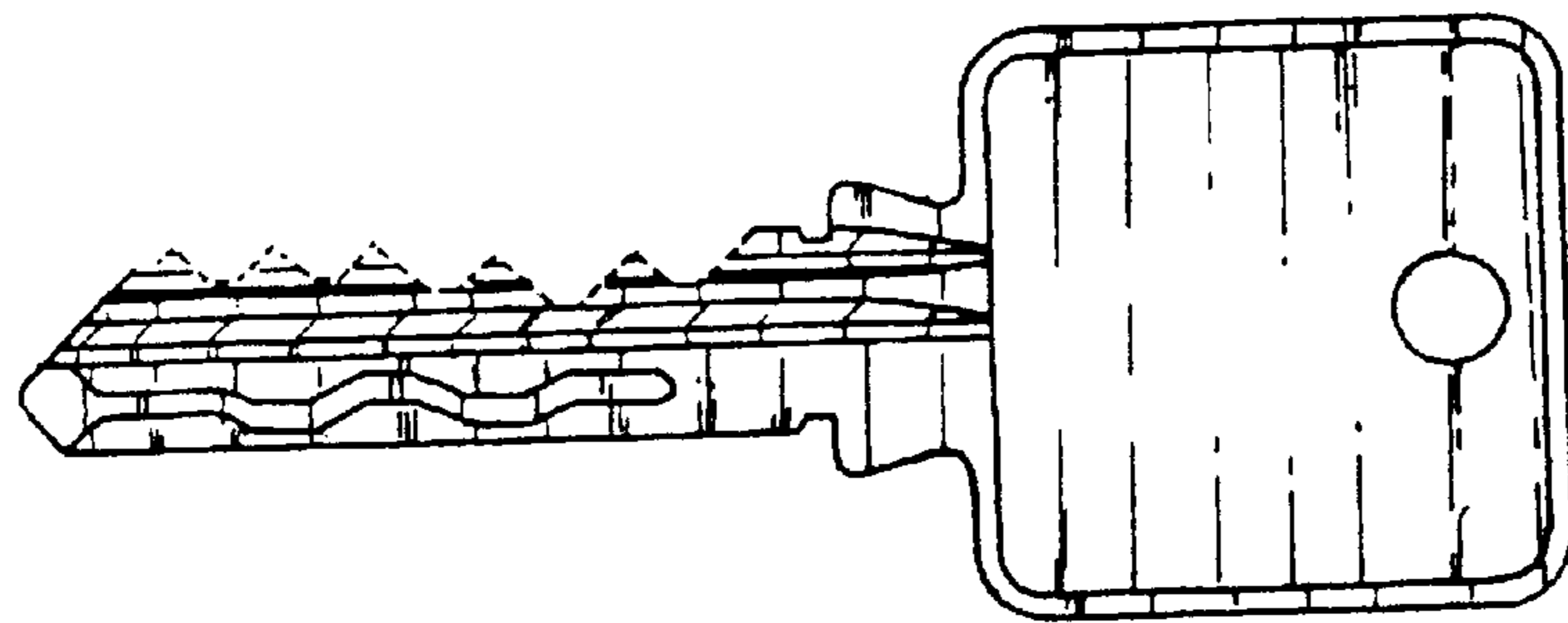


FIG. 9

