



US00D516896S

(12) **United States Design Patent** (10) **Patent No.:** **US D516,896 S**
Kearns et al. (45) **Date of Patent:** **** Mar. 14, 2006**

(54) **LOCK**

(75) Inventors: **Dave Kearns**, Hartford, WI (US);
Michael Brojanac, Jackson, WI (US);
Frank Scott, Milwaukee, WI (US);
Mark Van Handel, Milwaukee, WI (US)

(73) Assignee: **Master Lock Company**, Oak Creek, WI (US)

(**) Term: **14 Years**

(21) Appl. No.: **29/217,315**

(22) Filed: **Nov. 15, 2004**

(51) **LOC (8) Cl.** **08-07**

(52) **U.S. Cl.** **D8/334**

(58) **Field of Classification Search** D8/330,
D8/331, 333, 334, 336, 339; 70/20, 24-29,
70/31, 35, 38 R, 42-48

See application file for complete search history.

(56) **References Cited**

U.S. PATENT DOCUMENTS

- 1,016,455 A 2/1912 Stone
- 1,642,480 A * 9/1927 Beard 70/25
- D80,385 S 1/1930 Maxwell
- 2,904,985 A 9/1959 Murphy
- 3,626,729 A * 12/1971 Fane et al. 70/18
- 4,226,100 A 10/1980 Hampton et al.
- 4,286,445 A 9/1981 Sills
- 4,317,344 A 3/1982 Barnard
- D316,955 S 5/1991 Goida et al.
- 5,033,279 A 7/1991 Lebrecht
- 5,156,029 A 10/1992 Heald
- D335,813 S * 5/1993 Appelbaum D8/334

- D341,766 S 11/1993 Zacher et al.
- D342,009 S 12/1993 Lebrecht et al.
- D342,010 S 12/1993 Lebrecht et al.
- 5,761,935 A * 6/1998 Adelmeyer 70/55
- D408,262 S 4/1999 Liu
- D429,993 S 8/2000 Liu
- D470,390 S * 2/2003 Ling D8/334
- D484,391 S * 12/2003 Hackbarth et al. D8/346
- D484,777 S 1/2004 Ruan

OTHER PUBLICATIONS

Master Lock, No. 911 Padlocks Product Description, Master Lock web site.

Master Lock, Weather Tough Padlocks No. 6121 Product Description, Master Lock web site.

* cited by examiner

Primary Examiner—Prabhakar Deshmukh

(74) *Attorney, Agent, or Firm*—Calfee, Halter & Griswold LLP

(57) **CLAIM**

The ornamental design for a lock, as shown and described.

DESCRIPTION

FIG. 1 is a perspective view of the design of the present invention;

FIG. 2 is a front view of the lock shown in FIG. 1;

FIG. 3 is a top view of the lock shown in FIG. 1;

FIG. 4 is a back view of the lock shown in FIG. 1;

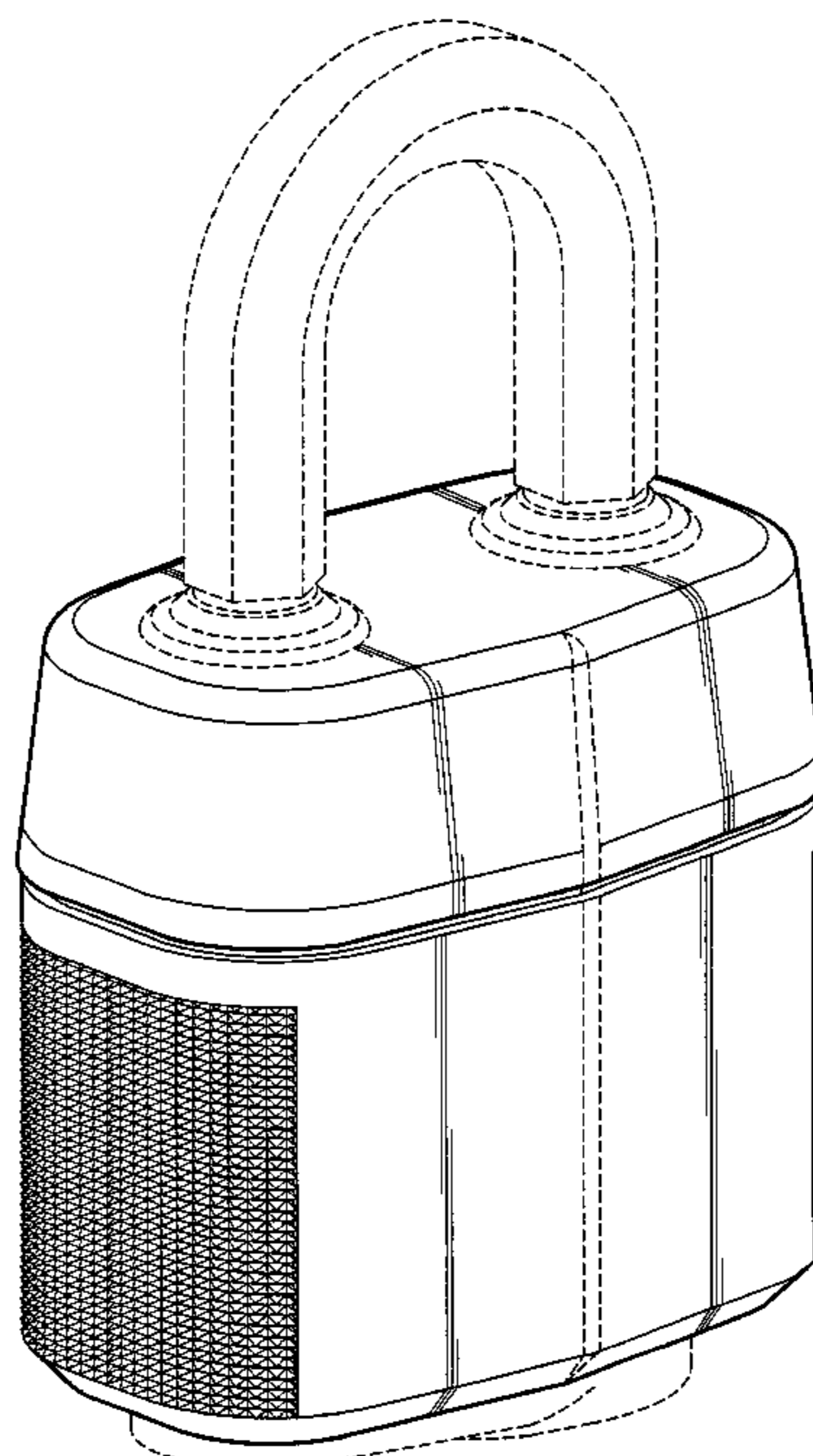
FIG. 5 is a bottom view of the lock shown in FIG. 1;

FIG. 6 is a side view of the lock shown in FIG. 1; and,

FIG. 7 is a side view of the lock shown in FIG. 1.

The portions of the Figures shown in phantom lines are not part of the claimed design but are for illustration only.

1 Claim, 4 Drawing Sheets



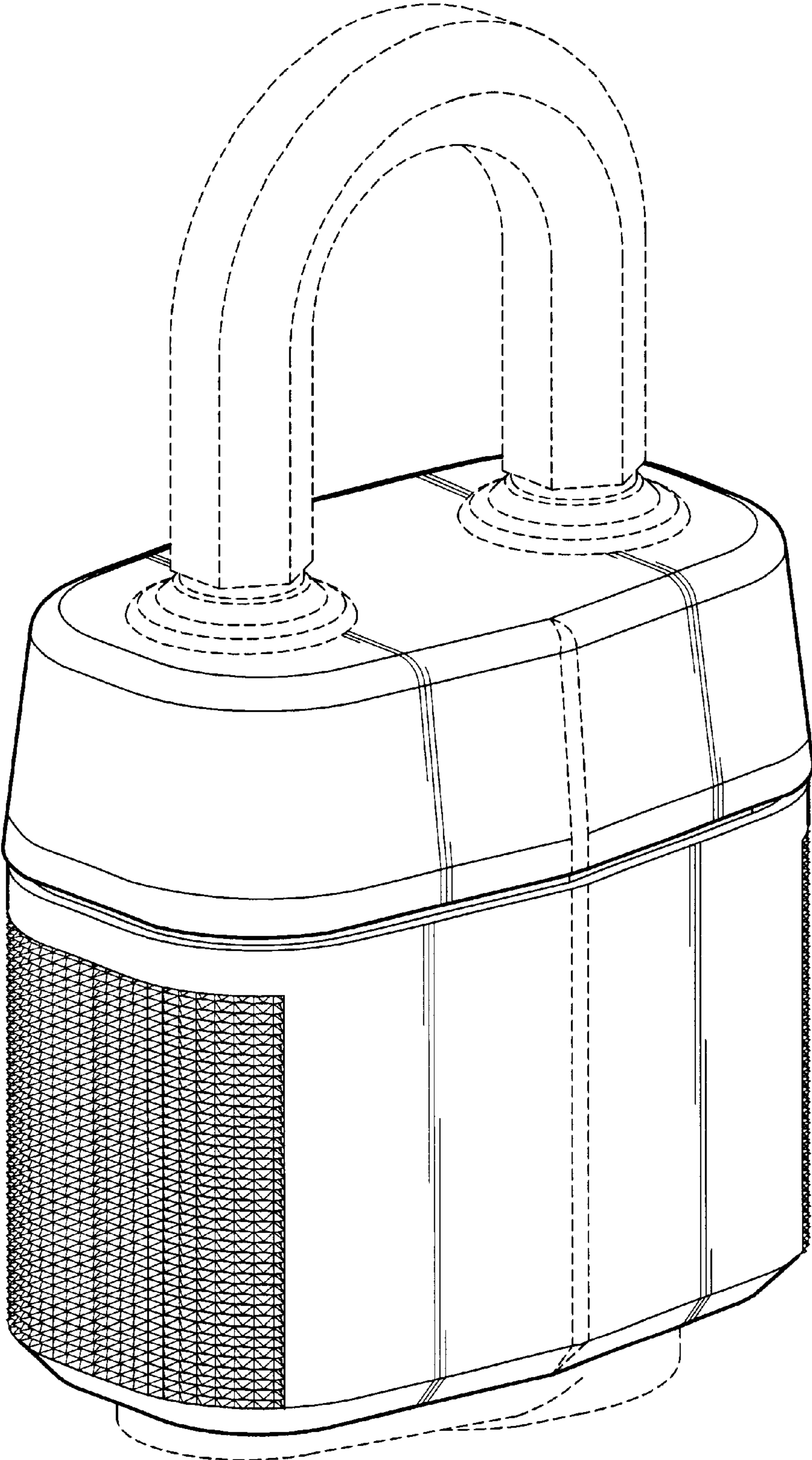


FIG. 1

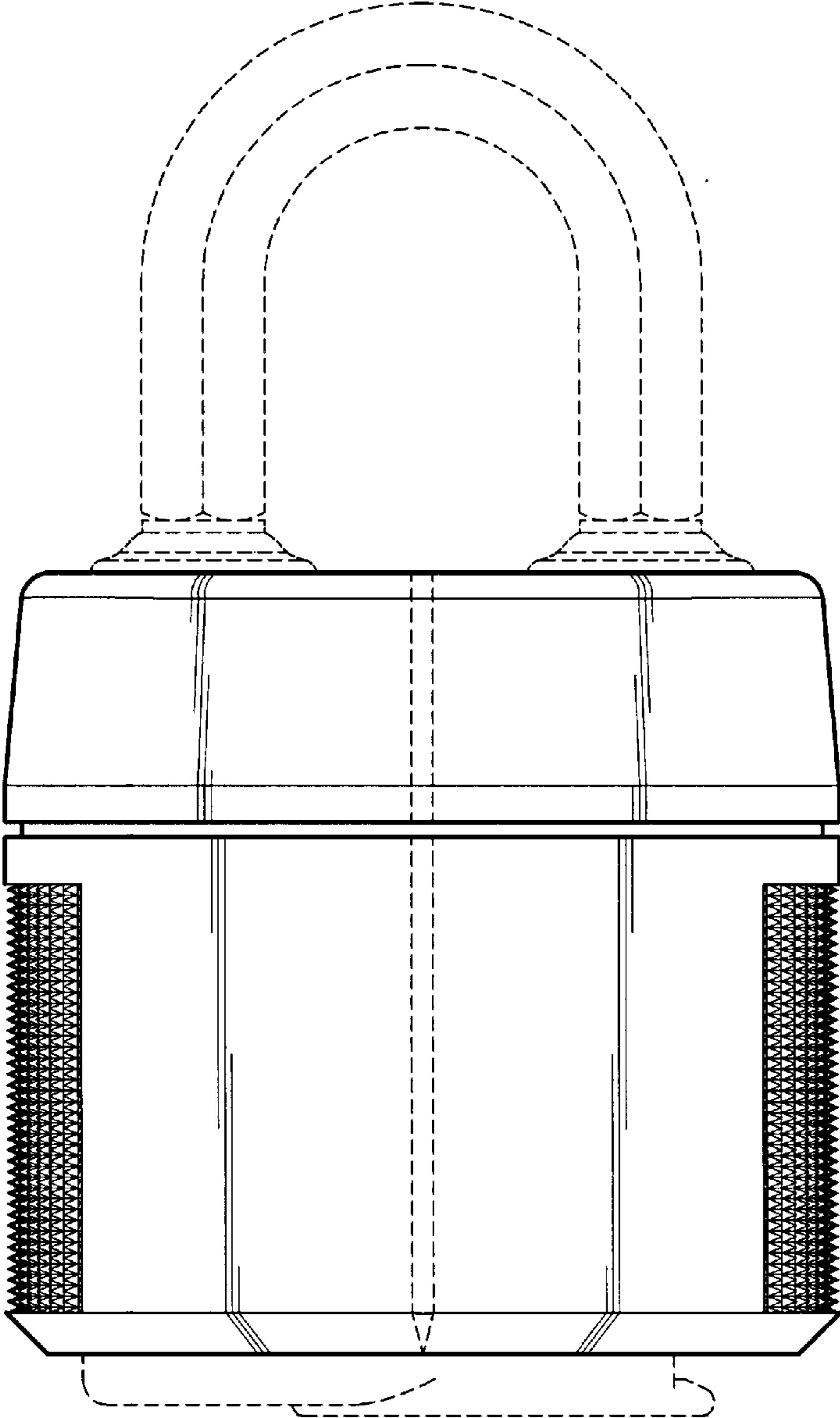


FIG. 2

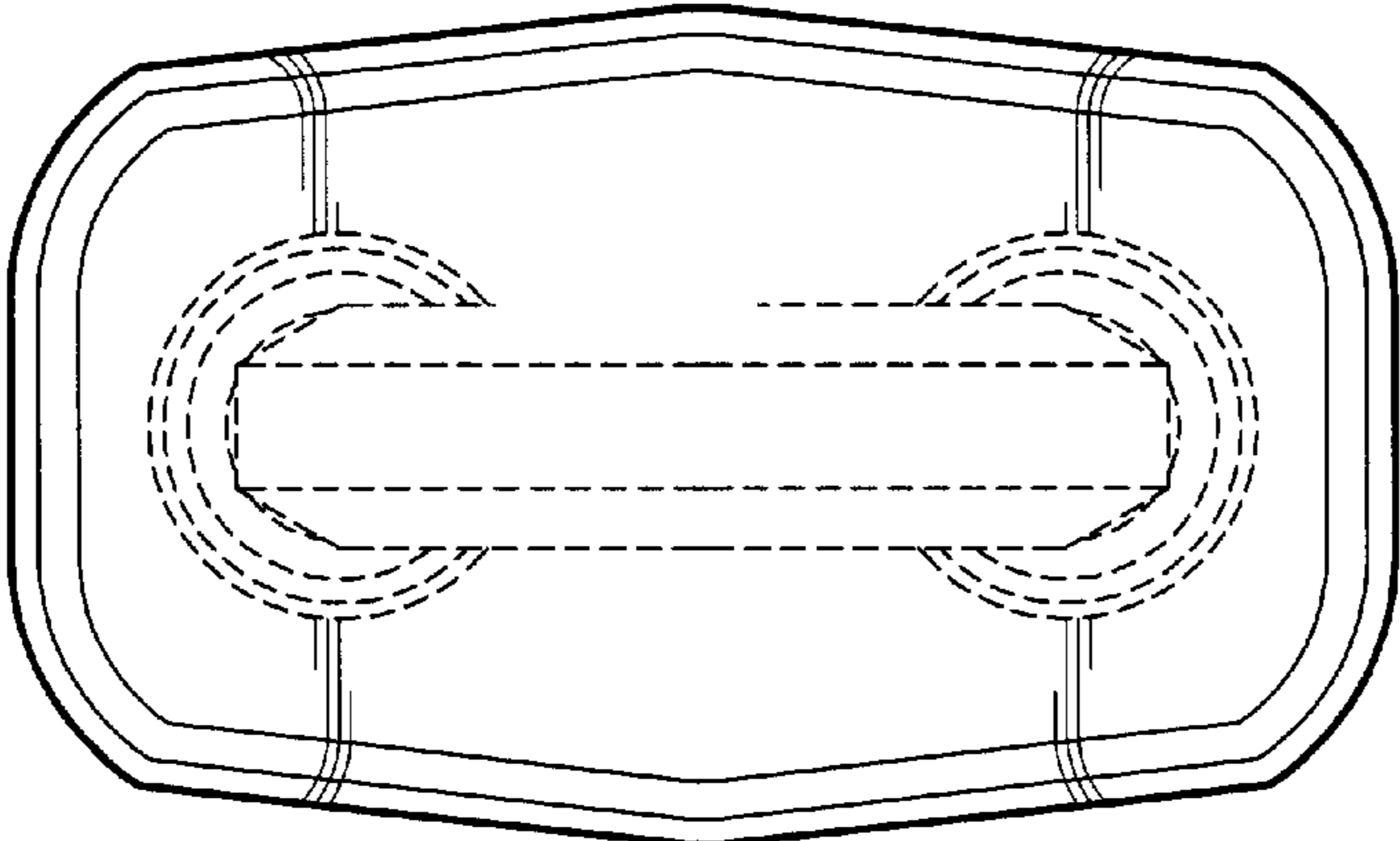


FIG. 3

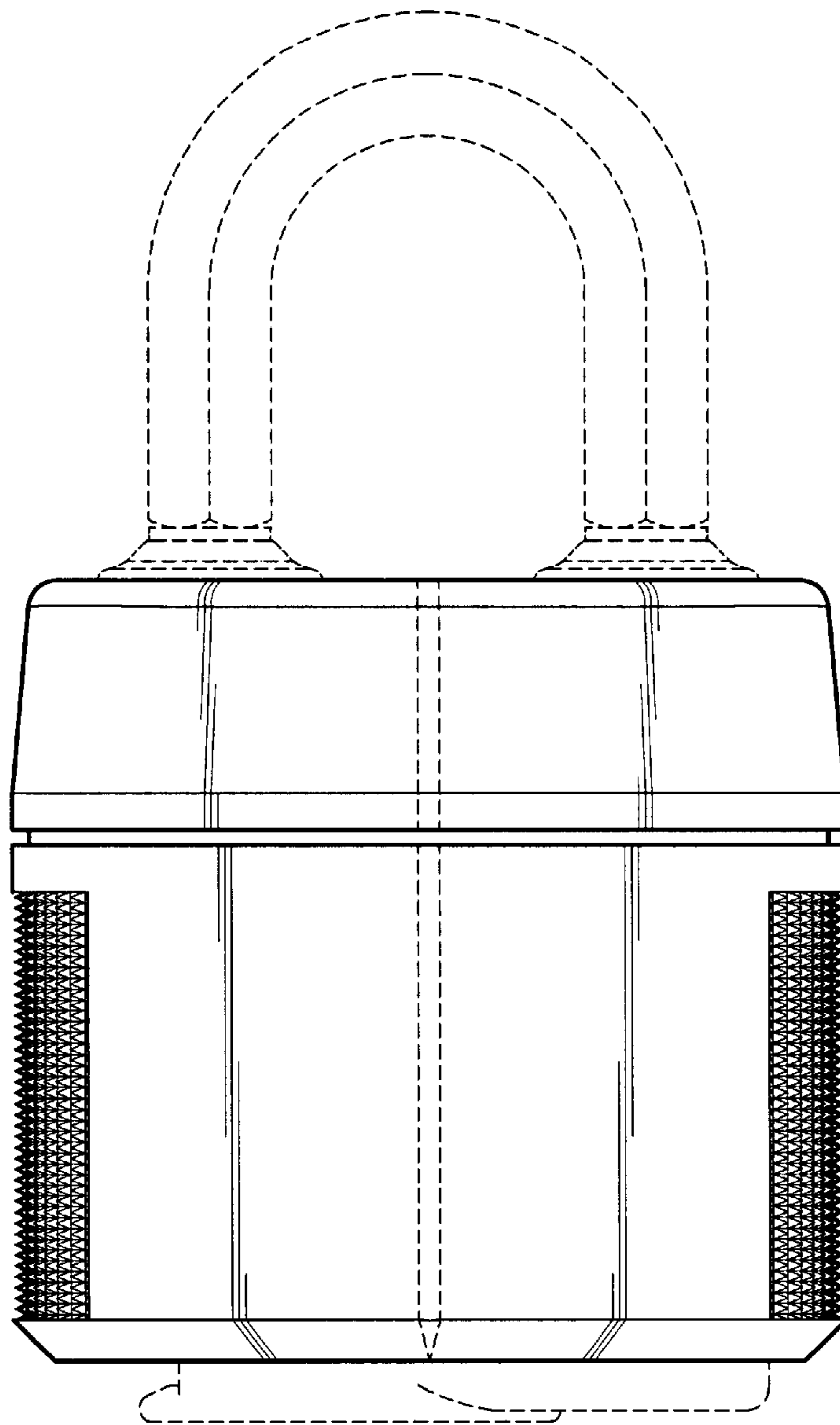


FIG. 4

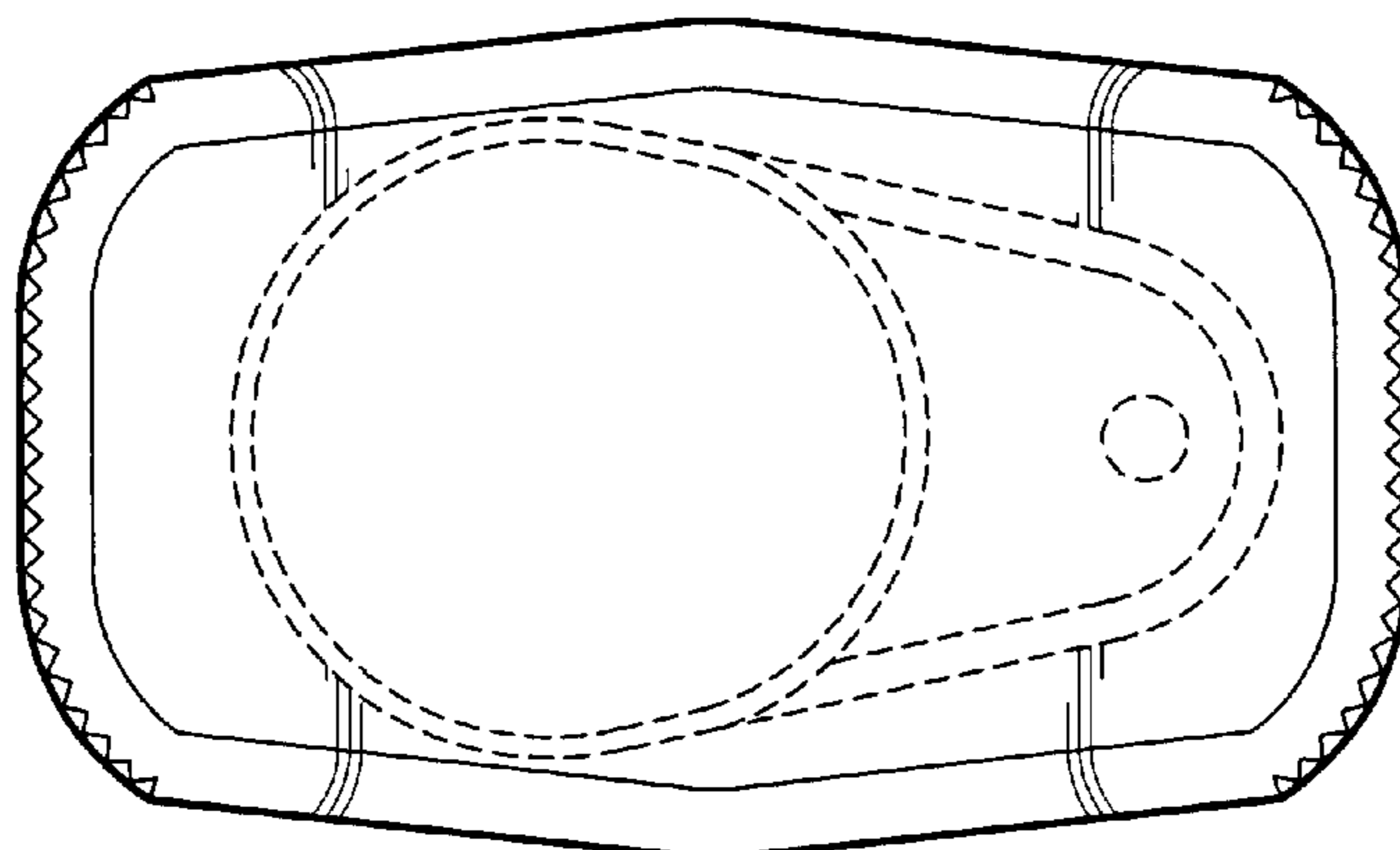


FIG. 5

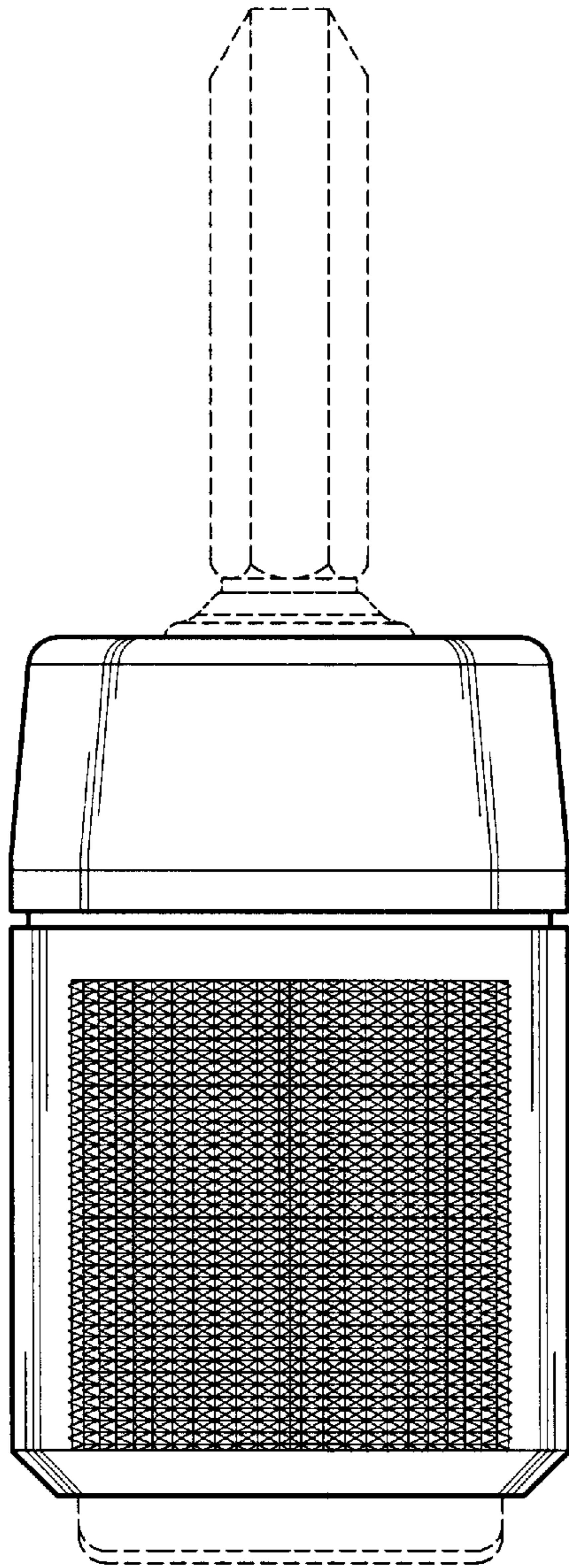


FIG. 6

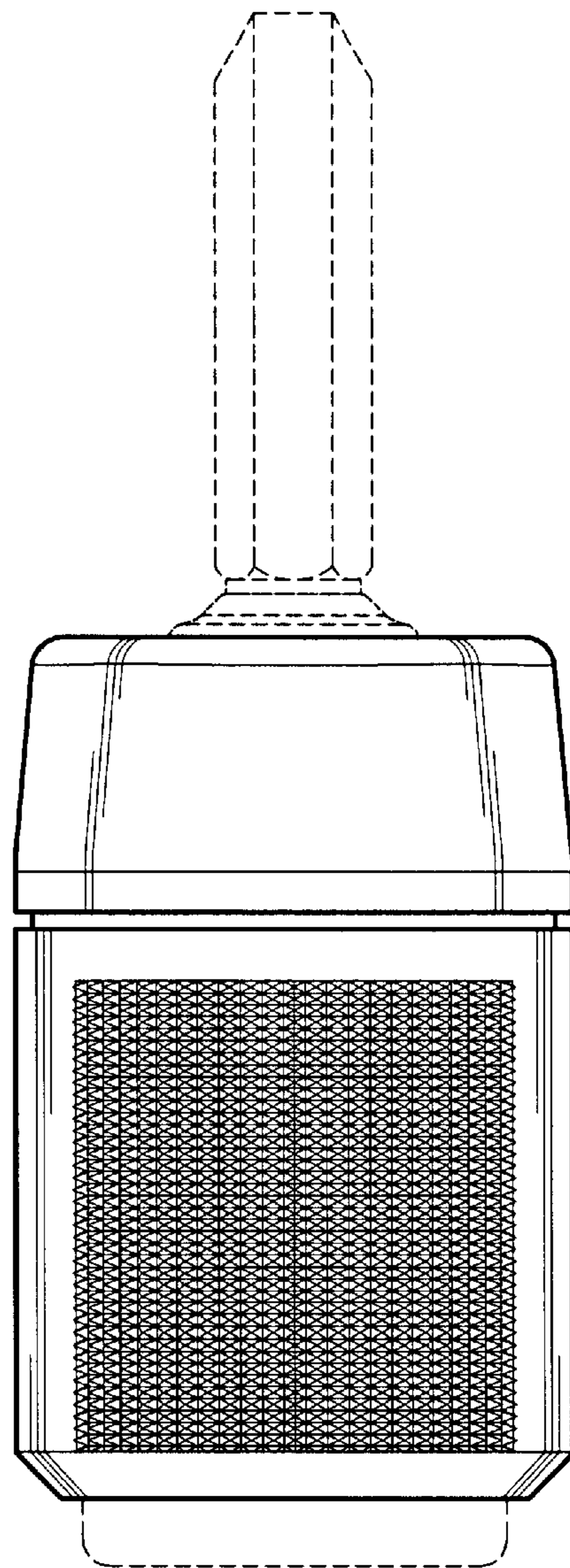


FIG. 7